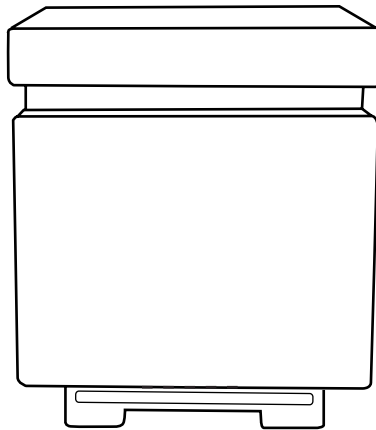




Model: SANCTUARY-LPTE



Firegear Outdoors LP Tank Enclosure

Description: The LP tank enclosure is constructed of Glass Fiber Reinforced Concrete (GFRC). It is designed to hide a 20lb. Liquid Propane (LP) tank for use with any LP fire pits. It weighs 135lbs and comes in a Slate color.



This tank enclosure is ventilated at the top lid and at the bottom on all four sides. It is imperative not to block these vents at any time.

**IF YOU CANNOT READ OR UNDERSTAND THESE INSTALLATION INSTRUCTIONS
DO NOT ATTEMPT TO INSTALL OR OPERATE THIS APPLIANCE**



**Warning: For
Outdoor Use Only**



We recommend that our gas hearth products be installed and serviced by professionals who are certified in the U.S. by the National Fireplace Institute® (NFI) as NFI Gas Specialists.

PLEASE RETAIN THIS MANUAL FOR FUTURE REFERENCE

Step 1: Remove the enclosure from the packaging.

Step 2: Set enclosure on a flat level surface. **Note:** The enclosure must be a minimum of 60-inches from the side of the fire pit or fire feature. See Fig. 1 and 3.

Step 3: Remove the lid by carefully lifting at the bottom edge of the lid as shown in Fig. 1. Carefully set the lid aside to prepare for installing LP tank.

Step 4: Attach the LP gas regulator to the LP tank and carefully sit the tank inside of the enclosure and feed the regulator hose through one of the bottom vents of the enclosure. Tank will sit centered inside the enclosure and sit up right. See Fig. 2.

Step 5: Connect the regulator hose to the gas connection of the fire pit or fire feature.

CAUTION: Ensure you use gas rated Teflon tape to seal any NPT fittings. Flared fittings do not use Teflon tape.

Step 6: Turn LP tank handle **ON**. Test for any gas leaks. After confirming no leaks replace the lid on top of the enclosure. Installation is complete.

NOTE:

- Do not operate if enclosure is closer than 60-inch from the fire pit or fire feature.
- Do not operate if lid is not installed on enclosure.
- Do not sit on top of the enclosure.
- Ensure the enclosure vents are not blocked or buried in the ground.

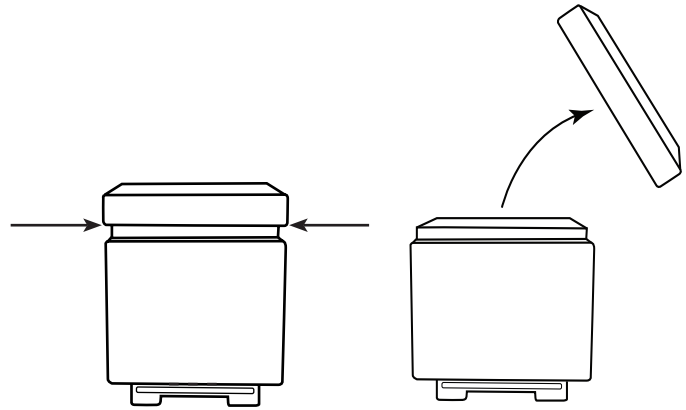


Fig. 1 Shows where to lift the enclosure lid.

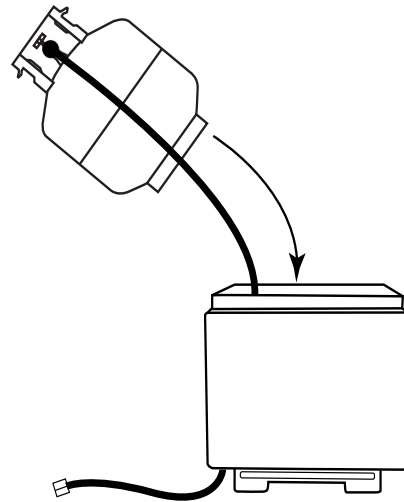


Fig. 2 Installing LP tank and regulator hose.

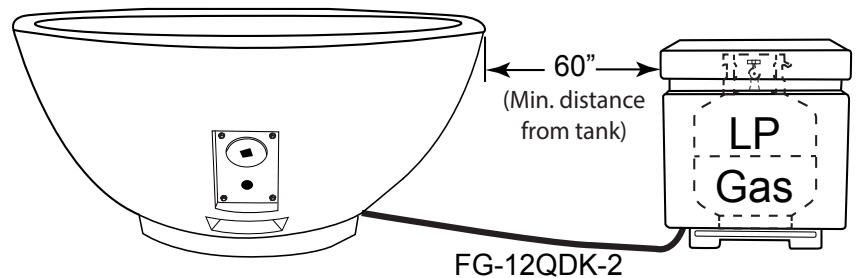


Fig. 3 Shows completed installation with LP tank inside of enclosure.

FOR TECHNICAL SERVICE, CALL: (855) 498-8324

Firegear Outdoors
9230 Conservation Way
Fort Wayne, IN 46809
Sales: (888) 672-8929
Sales Support: (888) 699-6167
Canadian Inquires: (877) 472-3923

Web Site: www.firegearoutdoors.com

