

MODEL: ESTOP-CP-KIT

E-STOP Gas Timer Control Panel Kit

For use with Firegear Outdoors MatchThrow (MT),
Thermocouple Manual Safety (TMSI) Fire Pits and BBQ Grill applications

Installation and Operating Instructions

**IF YOU CANNOT READ OR UNDERSTAND THESE INSTALLATION INSTRUCTIONS
DO NOT ATTEMPT TO INSTALL OR OPERATE THIS APPLIANCE**

CALIFORNIA PROPOSITION 65



This product can expose you to Chromium, which is known to the state of California to cause cancer and birth defects or other reproductive harm.
(For more information, go to www.p65warnings.ca.gov)



Warning: For Outdoor Use Only



We recommend that our gas hearth products be installed and serviced by professionals who are certified in the U.S. by the National Fireplace Institute® (NFI) as NFI Gas Specialists.

PLEASE RETAIN THIS MANUAL FOR FUTURE REFERENCE

PRODUCT DESCRIPTION: This ESTOP-CP-KIT (control panel kit) is designed to be installed into a paver block enclosure for Firegear Outdoors Match Throw (MT) fire pit, a Thermocouple Manual Safety (TMSI) fire pit or BBQ grill applications. Use either the ESTOP1-0H or ESTOP2-5H gas timer models with this kit. The ESTOP Gas Timer is not supplied with this kit and must be purchased separately. The ESTOP gas timers must be oriented in the upright position as shown in the instructions. **NOTE:** All gas lines must enter from the back side of the ESTOP gas timer to use this mounting kit. Ensure to install the plugs provided with the ESTOP gas timer and seal them with gas rated Teflon tape before installing the kit.

FOLLOW LOCAL CODES IF APPLICABLE FOR THIS INSTALLATION

INSTALLING THE CONTROL PANEL KIT

Tools Needed: Power Screwdriver with a Phillips head tip, $\frac{5}{16}$ " wrench, nut driver or hex head tip, $\frac{3}{16}$ " concrete drill bit and power drill.

Step 1: Use the four (4) screws provided in the ESTOP gas timer box and install the two (2) mounting brackets to each side of the ESTOP as shown in Fig. 1.

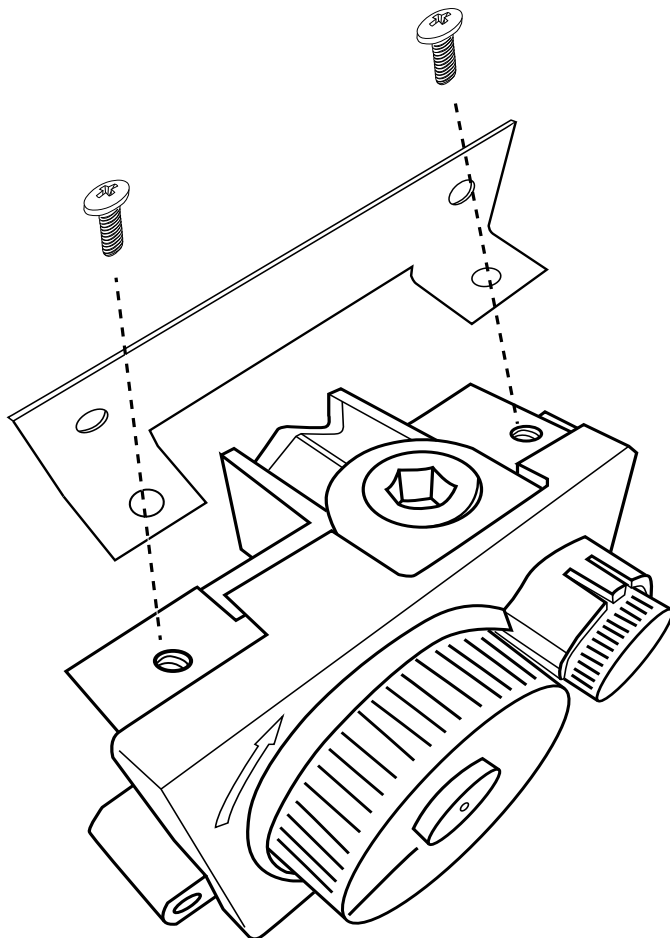


Fig. 1 Installing mounting brackets to ESTOP gas timer.

Step 2: After brackets are installed, the ESTOP gas timer should look like Fig. 2.

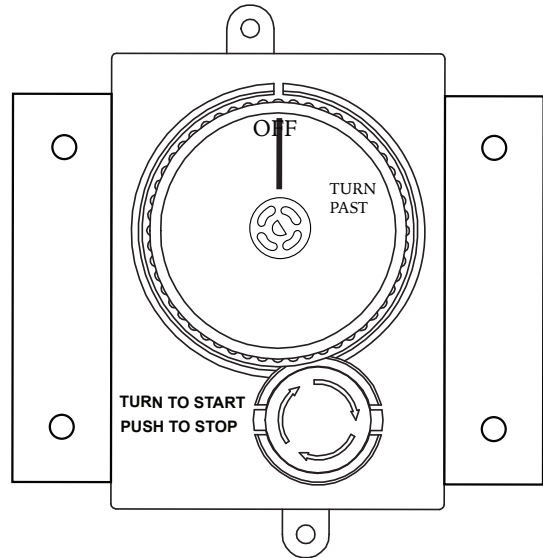


Fig. 2 Shows front view of ESTOP with mounting brackets installed.

Step 3: Install the (4) 10-24 x 1.25" Phillips screws through the mounting brackets, into the paver bracket holes and secure with a washer and nut (on back side) for each hole. See Figs. 3 and 4.

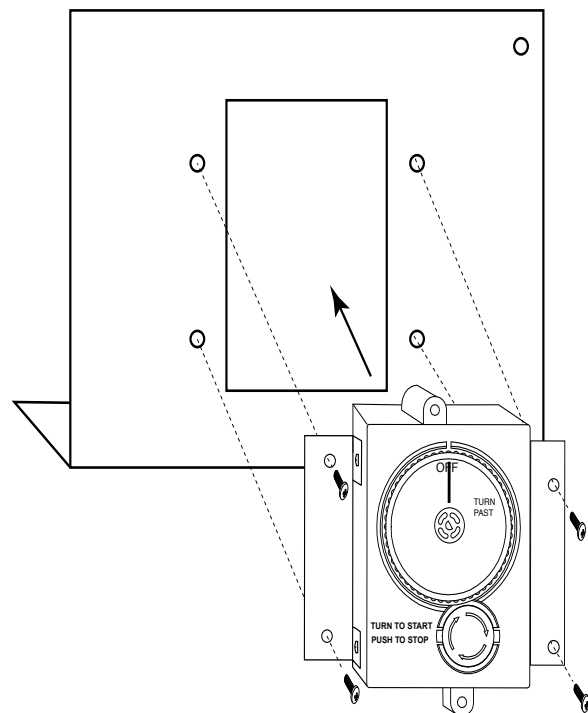


Fig. 3 Shows ESTOP mounted into paver bracket.

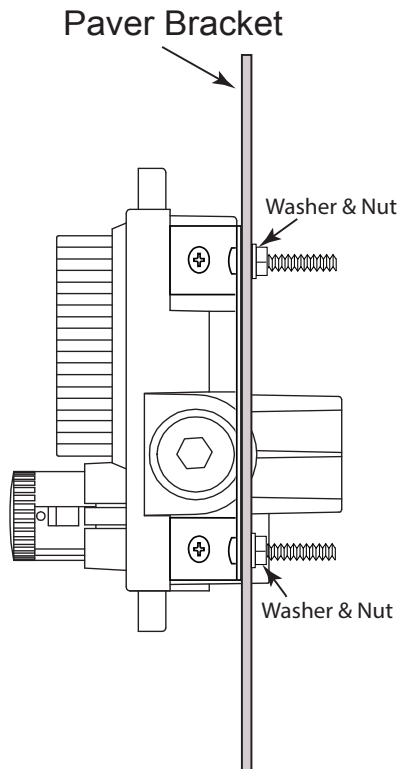


Fig. 4 Side view of ESTOP mounted to paver bracket.

Step 4: Before installing the paver bracket into the enclosure determine a suitable location for convenient operation for the ESTOP gas timer.

The paver bracket is designed to be mounted in a paver block enclosure by removing one or two pavers, setting the paver bracket into place then drilling two $\frac{3}{16}$ " holes and securing it into place with two concrete screws.

After drilling the $\frac{3}{16}$ " holes use the masonry screws (provided) to secure the paver bracket into place.

The paver bracket extension installs behind the paver bracket lip and is secured with the two hex head $\frac{5}{16}$ " screws; one screw at top and one on the bottom. See Figs. 5 and 6. It is used to fill the gap next to the paver bracket for a complete finished look. In some applications the extension is not needed and can be discarded.

Place the lintel across back side of the paver block after you have secured the paver bracket to support your next row of blocks. See the shaded area in Fig. 5 showing the placement of the lintel. Securing the lintel with some type of adhesive is optional.

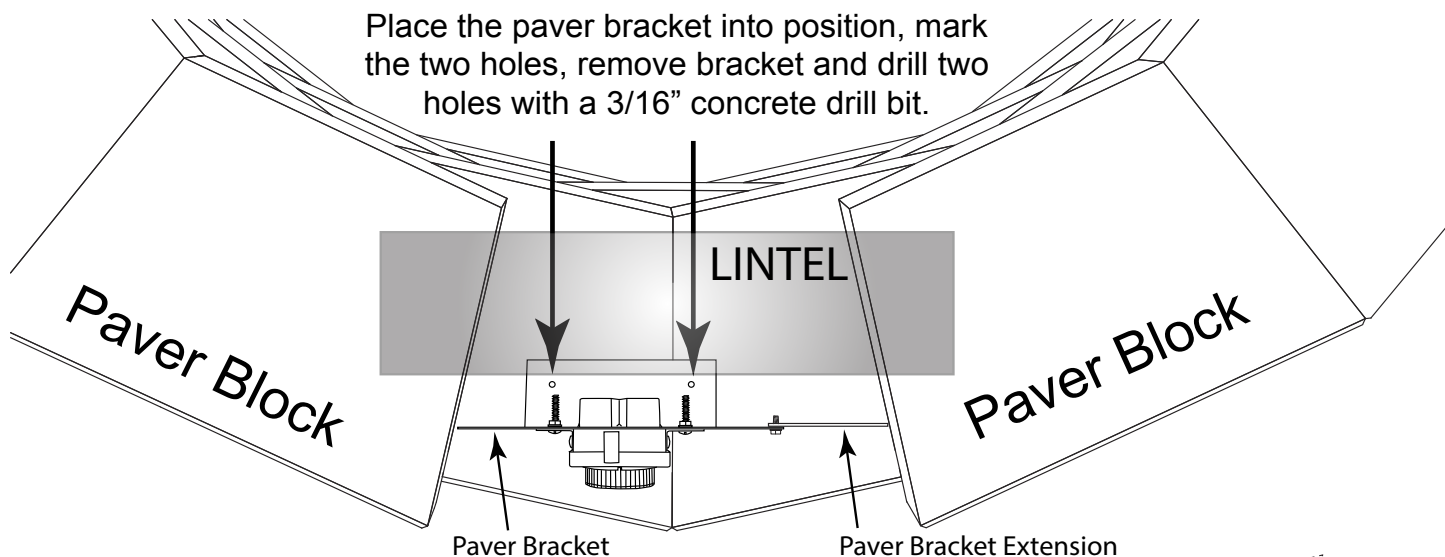


Fig. 5 Shows mounting paver bracket into place on paver block.

Step 5: The paver bracket extension can be used to extend the bracket from 8 inches wide up to $11\frac{3}{4}$ " wide if necessary. The holes in the bracket extension allow for $\frac{1}{2}$ " increments for width adjustment. Figs. 5 and 6 show the extension in the properly oriented position. If the extension bracket mounts behind the paver bracket with two $\frac{5}{16}$ " hex screws. If it is too wide, there are perforated areas that allow you to bend and break off if the entire width is not needed.

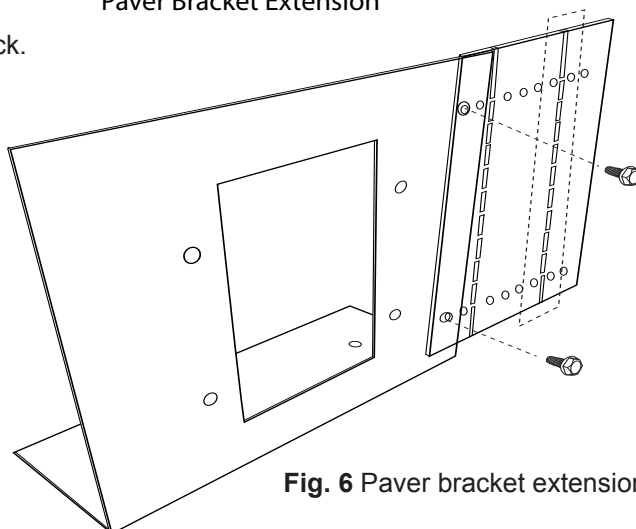


Fig. 6 Paver bracket extension.

Step 6: Install the cover plate overtop of the ESTOP gas timer. Align the holes in the cover plate with the holes in the ESTOP gas timer (top and bottom) and install the two (2) mounting screws (#10-24 x 6.25" SS Phillips screws) to secure the cover plate as shown in Figs. 6 and 7.

Step 8: After the ESTOP-CP-KIT is installed then use gas rated Teflon tape on the gas lines to connect gas supply. Ensure you check for gas leaks before final operation.

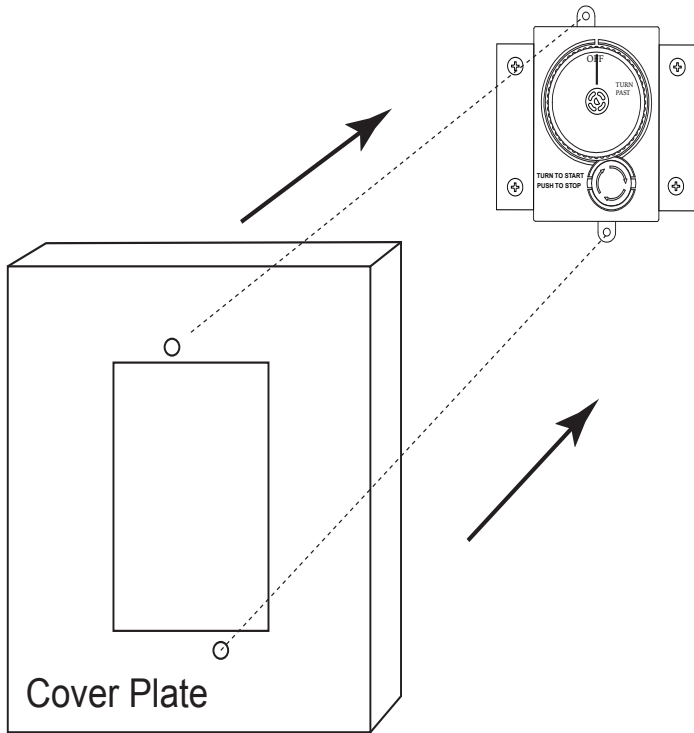


Fig. 7 Installing cover plate.

Step 7: When cover plate is installed over the ESTOP gas timer it will protrude $\frac{7}{8}$ ". See Fig. 7 for outside dimensions.

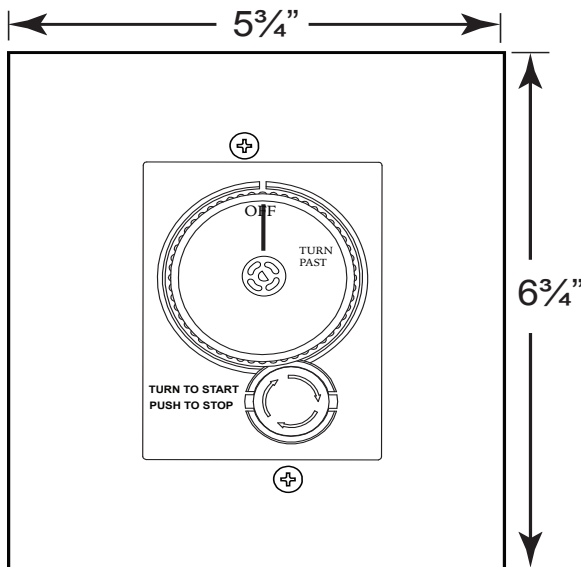


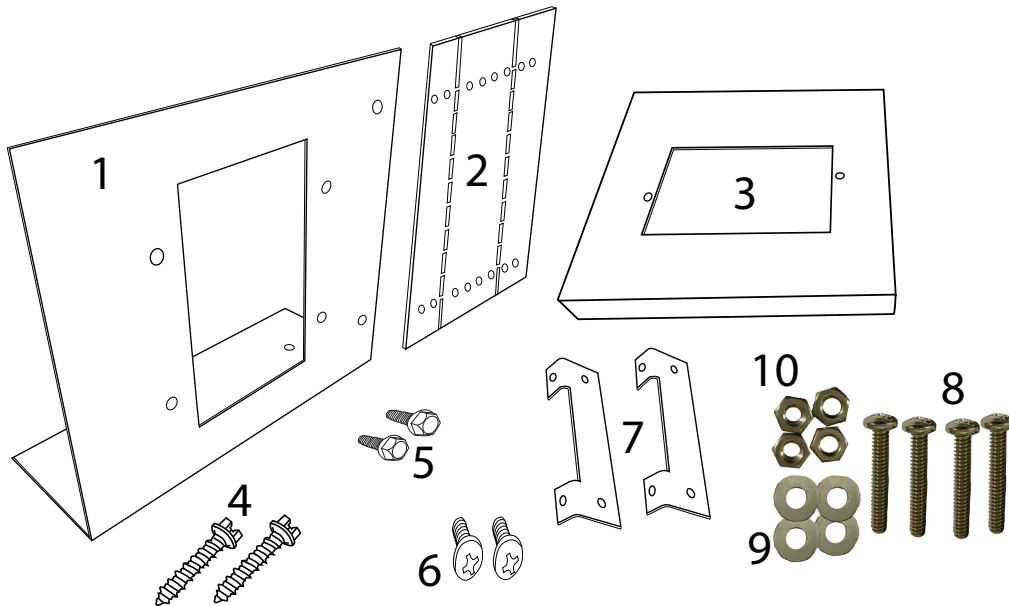
Fig.8 Cover plate outer dimensions.

LIMITED WARRANTY

Firegear Outdoors warrants the ESTOP-CP-KIT for 12 months from date of purchase or installation to original purchaser to be free from defects in materials and workmanship. Damage to the ESTOP-CP-KIT caused by accident, misuse, abuse, or installation error, whether performed by a contractor, service company, or owner, is not covered by this warranty.

Firegear Outdoors will not be responsible for labor charges and/or damage incurred in installation, repair, replacement, or for incidental or consequential damage. Some states, provinces, and nations do not allow exclusion or limitations of incidental or consequential damages, so the above limitations or exclusions may not apply. This warranty gives you specific legal rights. You may also have other rights that vary by state, province, or nation.

REPLACEMENT PARTS



REPLACEMENT PARTS LIST

	Description	Part Number	Qty.
1	ESTOP Paver Bracket	ESTOP-PAVER-BRKT	1
2	ESTOP Paver Bracket Extension	ESTOP-PAVER-EXT	1
3	Cover Plate Stainless	ESTOP-COVER-PLATE	1
4	1/4" x 1 1/4" Masonry Hex Screw	SCREW.25MASONRY	2
5	#10-24x1/2" Screw	ST3-113-1028	2
6	#10-24X6.25 Phil SS Panhead Bit	ST3-113-1019	2
7	Stainless Mounting Brackets	ESTOP-RECESS-BRKT	2
8	10-24x 1 1/4" Phillips Pan Screw SS	SCREW1024PANSS	4
9	#10 Stainless Washers	WASHER10SS	4
10	10-24 Stainless Nuts	ST3-113-1020	4
11	3"x12" Metal lintel support (not shown)	PAVER-LINTEL	1

FOR TECHNICAL SERVICE CONTACT:

(800) 966-8126
 Firegear Outdoors
 17322 Gothard St
 Huntington Beach, CA 92647

Web Site: www.firegearoutdoors.com

