

There is  
**so much to tell...**



FEG5316L

**Engage™**

**Left-facing Built-in Gas Fireplace**

Faber helps you create the atmosphere and look you desire for your unique space. The Engage Linear Gas Fireplace series offers complete installation flexibility with four design options to choose from front-facing, right/left corner or bay. Building on a foundation of European style and quality, the Faber Flat Burner creates a modern fire that looks natural, rich and full. Fully customizable flame controls allow you to adjust the flame height and width to match the comfort needs and mood of the room. This contemporary design is a must have for any home and pairs perfectly with a television.



## Left-facing Built-in Gas Fireplace



### Faber Flat Burner®

The Faber Flat Burner creates a fire that looks natural, full and rich. Fully customizable flame controls allow you to adjust the flame height to the mood of the room. Keep the look and adjust the outside burners to off to focus on the central flame all while reducing the heat output.



### Rear Wall Steel

Provides a clean, solid dark interior finish to work seamlessly with any décor.



### Invisimesh

A protective layer of Invisimesh surrounds the glass barrier of the fireplace and provides a warm surface safe for children and pets.



### Remote Control

Sit back and relax, while controlling all fireplace features from the comfort of your chair.



### Media Options

The Engage comes with decorative glass pebbles, enhance the design and upgrade to one of our premium media offerings: realistic driftwood log set; Carrara stones or grey split stones.

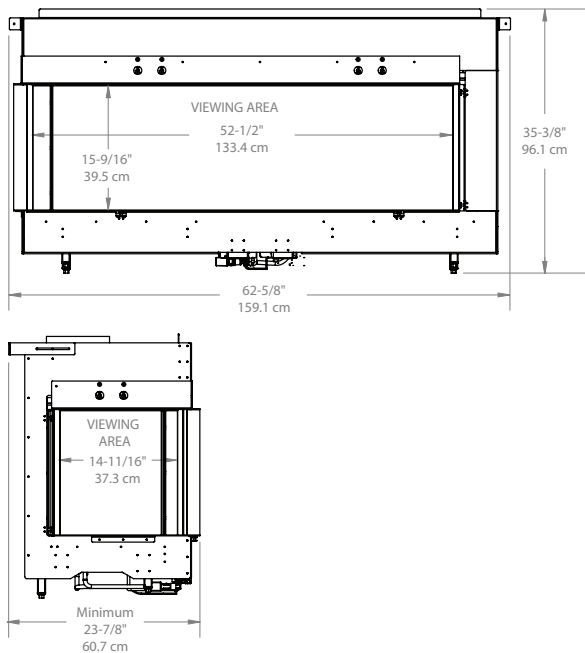
### Venting Compatibility

Dura Vent adapter (included)  
ICC adapter TM-5AA8 (sold separately)



28,000 - 42,500 BTU

### Product Dimensions:



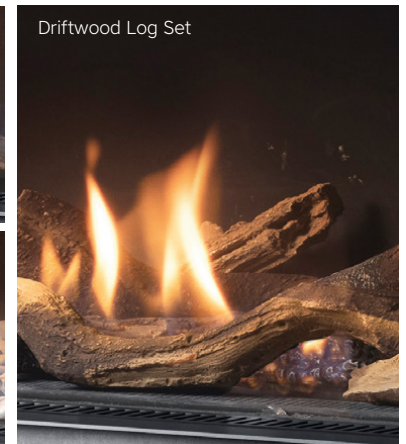
### Three media options to choose from



Grey Split Stones



Carrara Stones



Driftwood Log Set

### Media Accessories

Model #	Description	UPC
FEG-WP	Carrara Stones	781052 139107
FEG-GS	Grey Split Stones	781052 139114
FEG-LS	Driftwood Log Set	781052 140967

Model #	Description	BTU	UPC	Warranty	Product Dimensions (WxHxD)	Viewing Area (WxH)	Package Dimensions (WxHxD)	Weight (Lb / Kg)
FEG5316L	Left-facing built-in gas fireplace, with decorative glass pebbles	28,000 - 42,500	781052 138735	5 yr.	62-5/8 x 35-3/8 x 23-7/8 in 159.1 x 96.1 x 60.7 cm	52-1/2 x 15-9/16 x 14-11/16 in 133.4 x 39.5 x 37.3 cm	TBD	TBD

Specifications, finishes and dimensions are subject to change. \*Lifetime Limited warranty.  
©2021 Glen Dimplex Americas  
SE-573-R00-062821