

# Rustic & Modern Mantels

## Installation Instructions



Leave this manual with party responsible for use and operation.

### IMPORTANT SAFETY INSTRUCTIONS

#### SAVE THESE INSTRUCTIONS

When using the furnishing, basic precautions should always be followed, including the following:

- Read all instructions before mounting or using the mantel.
- Use the mantel only for its intended use as described in these instructions.

**WARNING! Risk of Injury!** The fasteners supplied with this furnishing are intended for use in standard wood stud walls only. Minimum wall stud size required is 2"x 4", with drywall or finished wall surface ranging from 1/2" to 3/4" thick. For all other mounting surfaces, use appropriate fasteners as specified by local building codes or other jurisdiction.

Use caution when mounting to other wall types. Contact your local building official if you are unsure of the correct fastening method. Improper mounting may lead to property damage, injury, or death.

**WARNING! RISK OF INJURY! Do not overload mantel:**  
**Maximum load for all 60 inch mantels is 150 pounds.**  
**Maximum load for all 72 inch mantels is 180 pounds.**

**WARNING! Risk of Fire!** Combustible objects placed on or around the mantel must meet your fireplace manufacturer's requirements for clearances to combustibles.

**WARNING! Risk of Injury!** Installation of this mantel requires two or more people!

**CAUTION! Risk of Cuts, Abrasions or Flying Debris.** Wear protective gloves and safety glasses during installation.

Mantel "Supercast" material meets non combustibility standards in accordance with ASTM E136.

#### Tools Required:

- Power Drill with Phillips Bit
- Leather Gloves
- Utility knife
- Level
- Tape Measure
- Stud Locator
- Pencil

#### Contents (or Kit Components):

- (1) Mantel
- (6) #8 x 2-1/2 inch wood screws
- (1) Hanging bracket

Verify and remove contents from packaging before beginning installation.

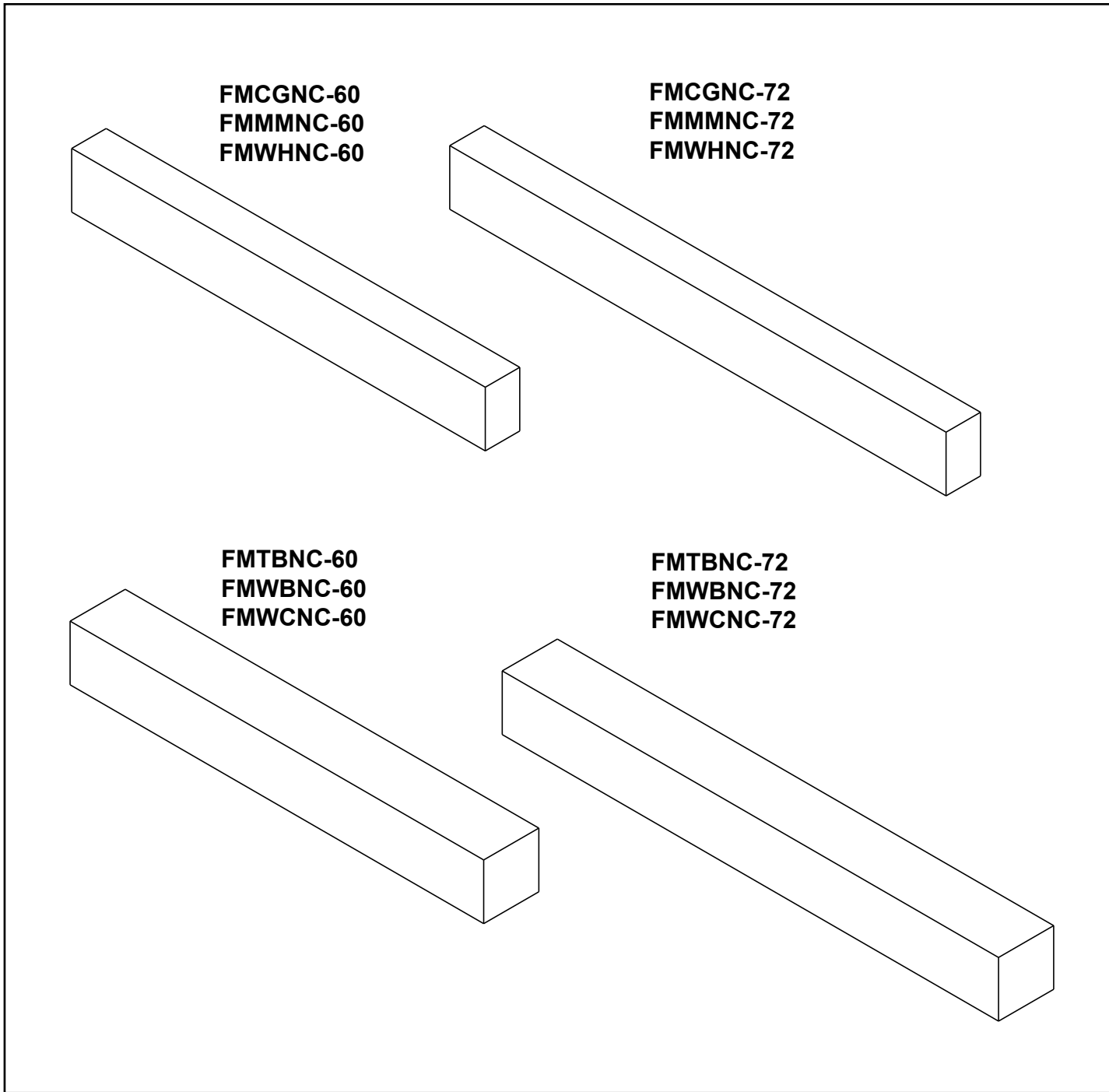


Figure 1 Rustic and Modern Mantels

## Installation Instructions

### **CAUTION! Do not install damaged components.**

Check for damage. Do not use damaged components. It is required to mount the mantel at wall stud locations (if applicable) for proper holding strength and weight distribution.

Be sure to follow your fireplace manufacturer's clearances to non-combustibles or local code, if applicable, when determining a location for your mantel. Combustibles set on a non-combustible mantel must meet clearance requirements for combustibles.

1. Choose a location for your mantel and locate studs behind the wall surface using a stud locator. Mark stud locations with a pencil for reference in the next step.
2. Hold the hanging bracket up to the wall surface, centered at the desired location, and ensure it is parallel to the floor using a level. See Figure 2.
3. Use a pencil to mark hole locations on the bracket, lining it up with a minimum of 3 studs.
4. Insert the supplied #8 x 2-1/2" wood screws at the marked hole locations, two screws per stud location as shown below. See Figure 3.
5. With two people, one lifting from each end, lift the mantel up so that the top edge of the mantel is centered on the hanging bracket and hold mantel flush to the wall surface. See Figure 4. Carefully lower the mantel on to the hanging bracket and ensure the mantel is seated properly before placing the full weight of the mantel on the hanging bracket.

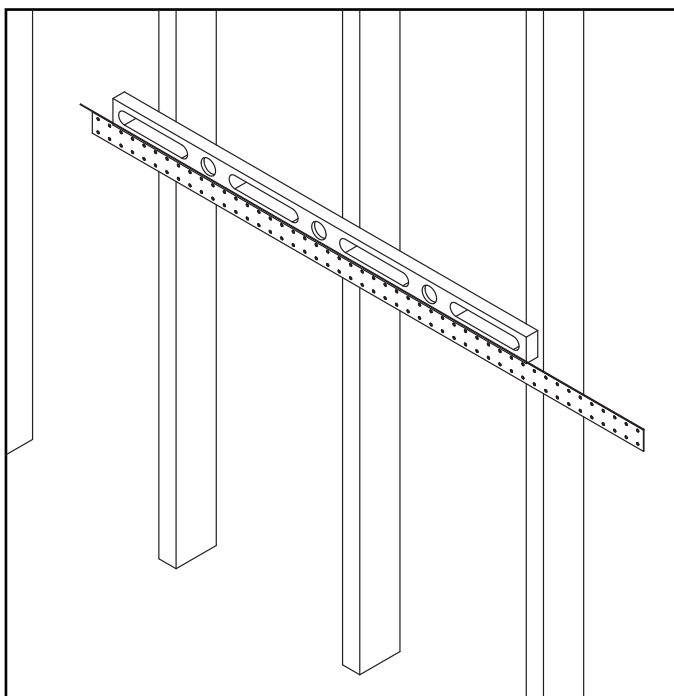


Figure 2 Level Hanging Bracket

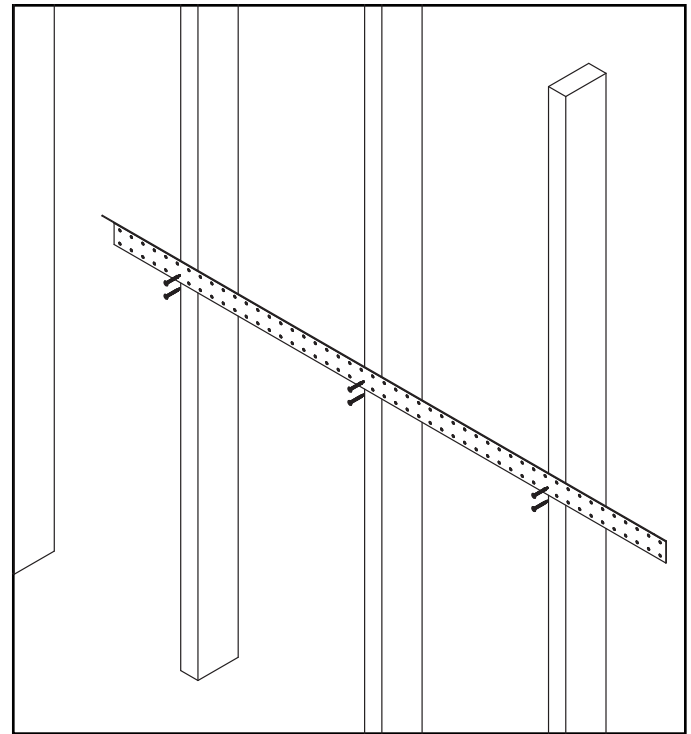


Figure 3 Insert Wood Screws

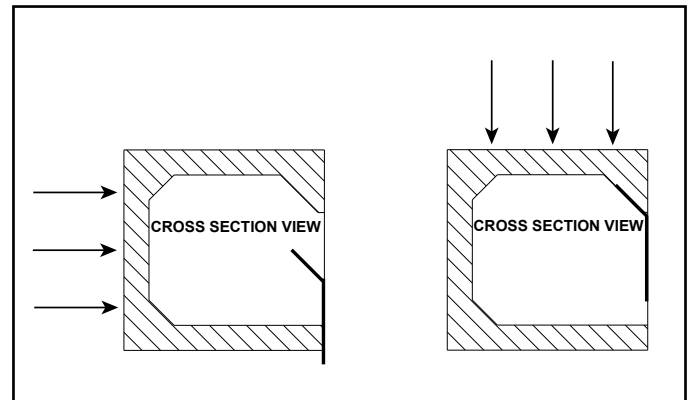


Figure 4 Cross Sectional View