

INSTALLATION INSTRUCTIONS

FBB4 BLOWER KIT

INSTRUCTIONS MUST BE LEFT WITH OWNER FUTURE REFERENCE AFTER INSTALLATION.

ATTENTION: Install blower assembly before connecting gas inlet supply line

NOTE: Junction box on right side of fireplace must be pre-wired at time of fireplace installation for use with blower assembly. It is recommended that an ON/OFF wall switch be installed that will activate the power supply to the fireplace by a qualified electrician.

WIRING

The appliance, when installed, must be electrically grounded in accordance with local codes or, in the absence of local codes, with the *National Electrical Code, ANSI/NFPA 70*, if an external electrical source is utilized.

This appliance is equipped with a three-prong [grounding] plug for your protection against shock hazard and should be plugged directly into a properly grounded three-prong receptacle. Do not cut or remove the grounding prong from this plug. For an ungrounded receptacle, an adapter, which has two prongs and a wire for grounding, can be purchased, plugged into the ungrounded receptacle and its wire connected to the receptacle mounting screw. With this wire completing the ground, the appliance cord plug can be plugged into the adapter and be electrically grounded.

⚠ CAUTION

Label all wires prior to disconnection when servicing controls. Wiring errors can cause improper and dangerous operation. Verify proper operation after servicing.

⚠ CAUTION

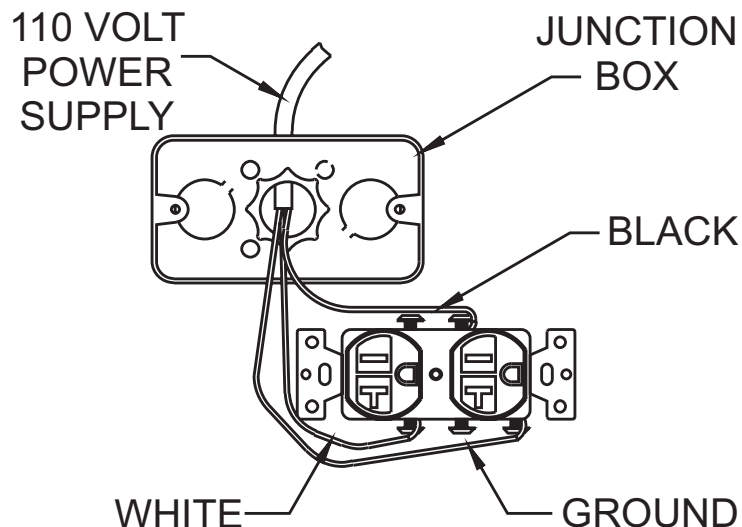
All wiring should be done by a qualified electrician and shall be in compliance with all local, city and state building codes. Before making the electrical connection, make sure that main power supply is disconnected. The appliance, when installed, must be electrically grounded in accordance with local codes or, in the absence of local codes, with the national electrical code ANSI/NFPA 70 (latest edition).

STANDARD MILLIVOLT VALVE MODELS

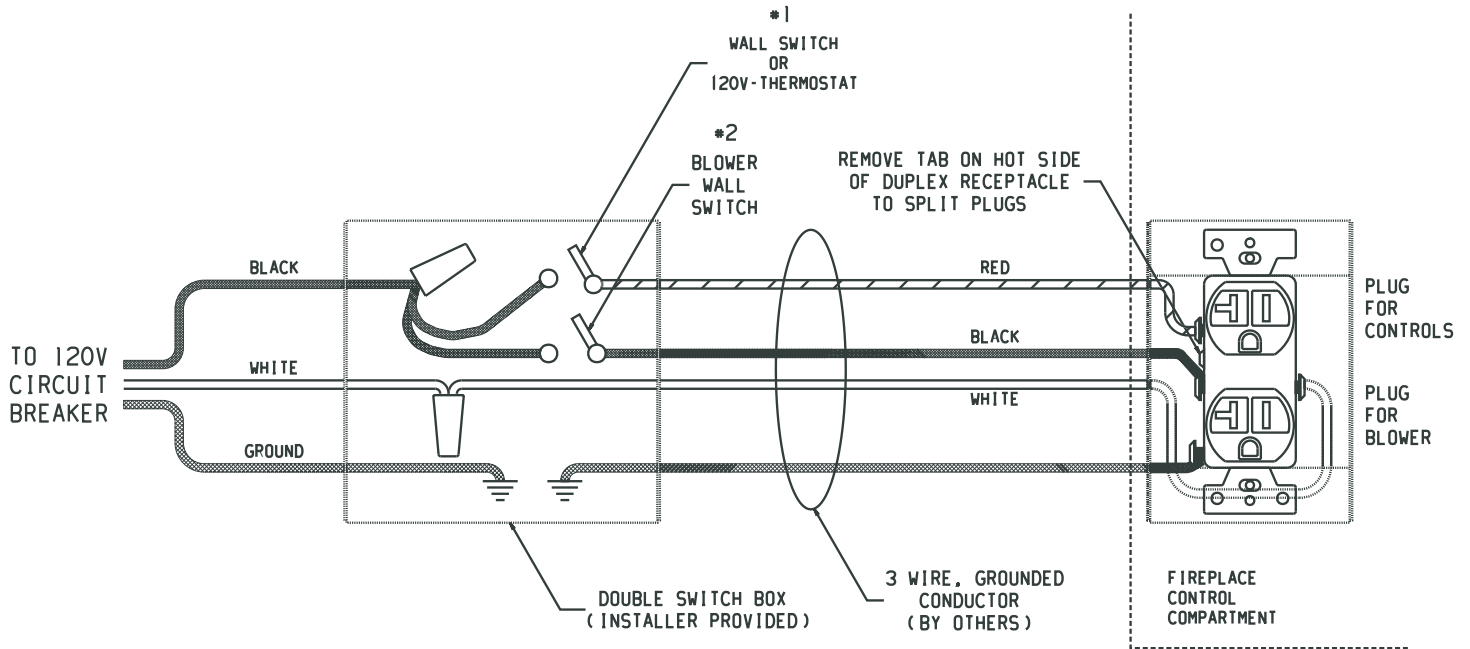
A factory installed junction box is located on the lower right side of the fireplace. Wiring must be fed to the junction box and attached to the receptacle that is provided. Leave approximately 6" of wire in the junction box for connection.

Attach black wire to one side of the receptacle and white wire to opposite side of receptacle. The ground wire should be attached to the green (ground) screw.

JUNCTION BOX CONNECTIONS

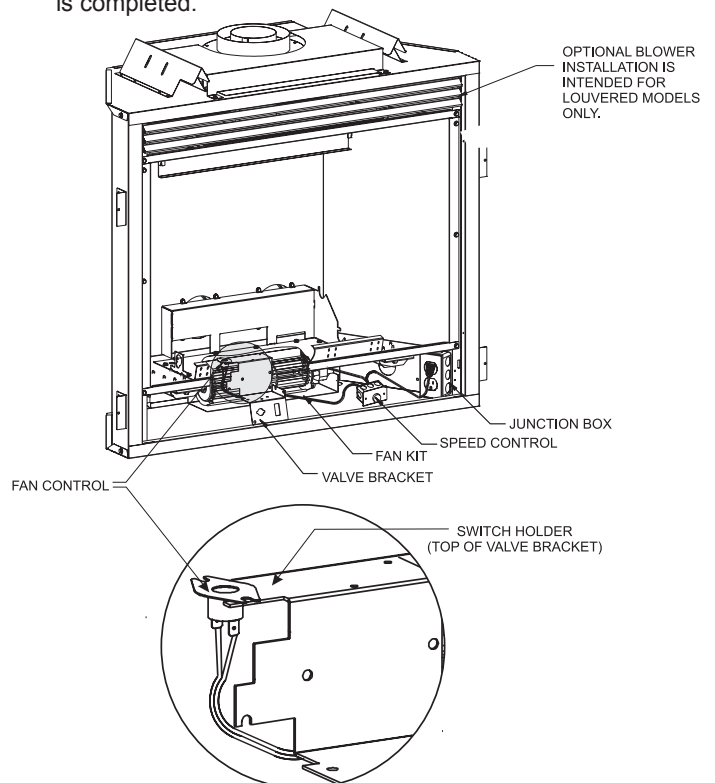


120V DIRECT IGNITION VALVE OR INTERMITTENT PILOT MODELS



DUAL SWITCH ELECTRICAL WIRING TO FIREPLACE RECEPTACLE

- To wire Junction Box Receptacle, remove the tab on the side of the receptacle (hot side) to split receptacle. This will be required to separate blower and valve circuits.
- Power for switched and live sides of Duplex Receptacle must come from the same power source. (One circuit breaker on main panel must switch all power off.)
- From the wall box to the fireplace a 3-wire conductor with ground is recommended, however (2) two-wire conductors with grounds may be used in place of a 3-wire conductor with a ground if the black wires from the thermostat and blower switch are identified.
- Two wall switches, or a wall switch and thermostat may be used to activate the two receptacle plugs independently.
Attention: If installed, do not damage gas inlet supply line when blower assembly is inserted into fireplace. If necessary, removal of the gas inlet supply line may be necessary.
- Remove upper louver and glass door assembly.
- Insert blower assembly into interior, bottom of fireplace. Position blower assembly behind gas valve, align notch on back of blower assembly with center screw on fireplace back and push blower assembly against fireplace back. The blower wheel must be centered with the back wall of the fireplace. Place blower assembly against the back wall. The magnets on the back and bottom of blower assembly will sufficiently hold blower assembly in place.
- Using the #10 X 1/2" hex head self-drilling screws provided, secure the ground wire terminal from the blower base to a location on the lower outside wrap near the junction box location.
- Position the speed control to the right side of gas valve. Attach speed control to bottom of fireplace. The magnets on bottom of speed control will sufficiently hold the speed control in place.
- With base (flush face) of fan control switch facing upward, insert base flanges of fan control switch under the mounting tabs on valve bracket. The base (flush face) of fan control switch must be in contact with bottom of the firebox. (see inset)
- Insert power cord plug into junction box.
- Install glass door and upper louver. Close bottom louver on fireplace.
NOTE: This blower is equipped with a heat activated fan control switch. Fan will operate when the fireplace warms up, and will turn off when the fireplace cools down.
- Installation of FBB4 optional variable speed blower assembly is completed.



BLOWER MOTOR

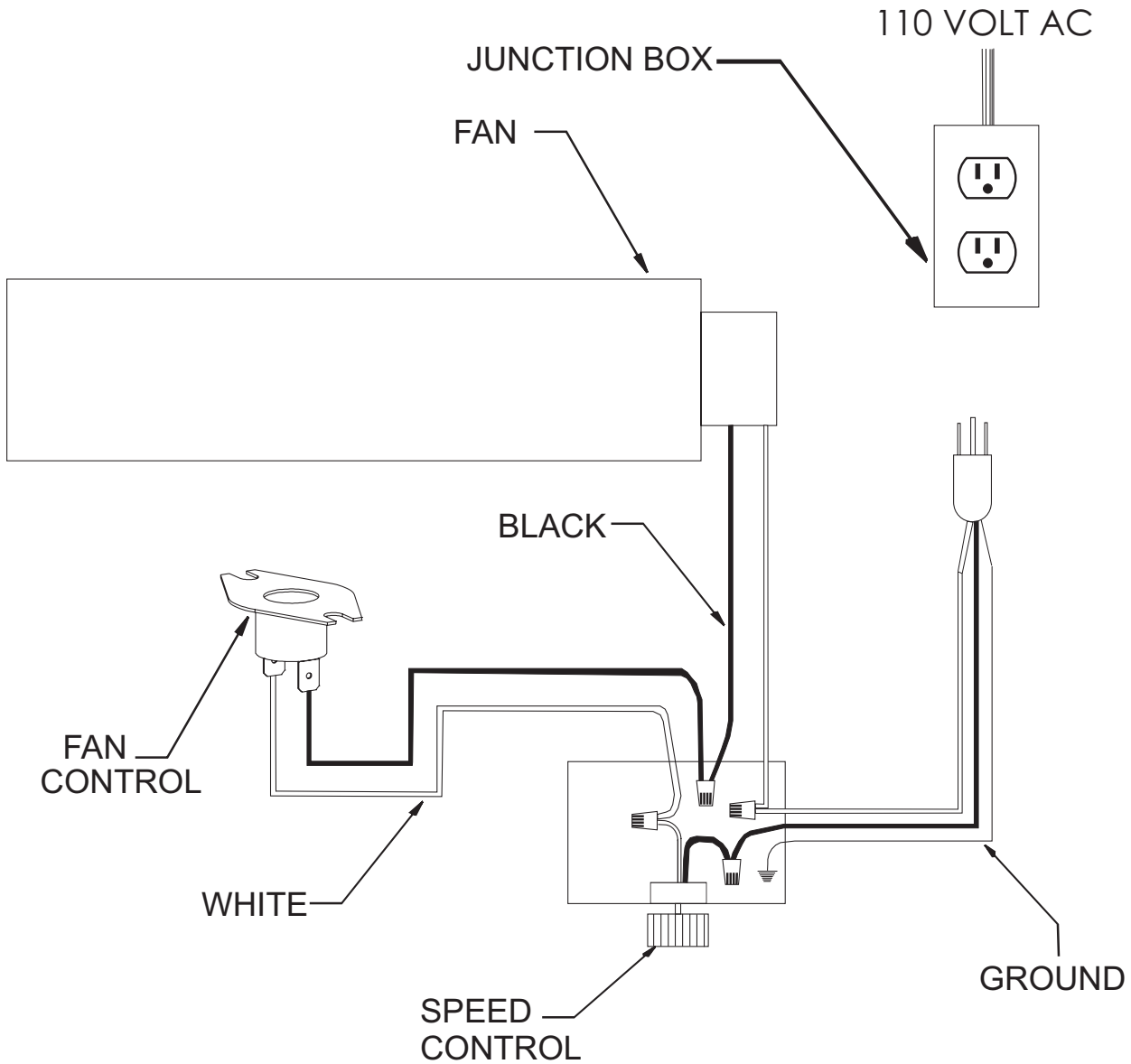
The blower motor does not have oiling holes. Do not attempt to oil the blower motor.

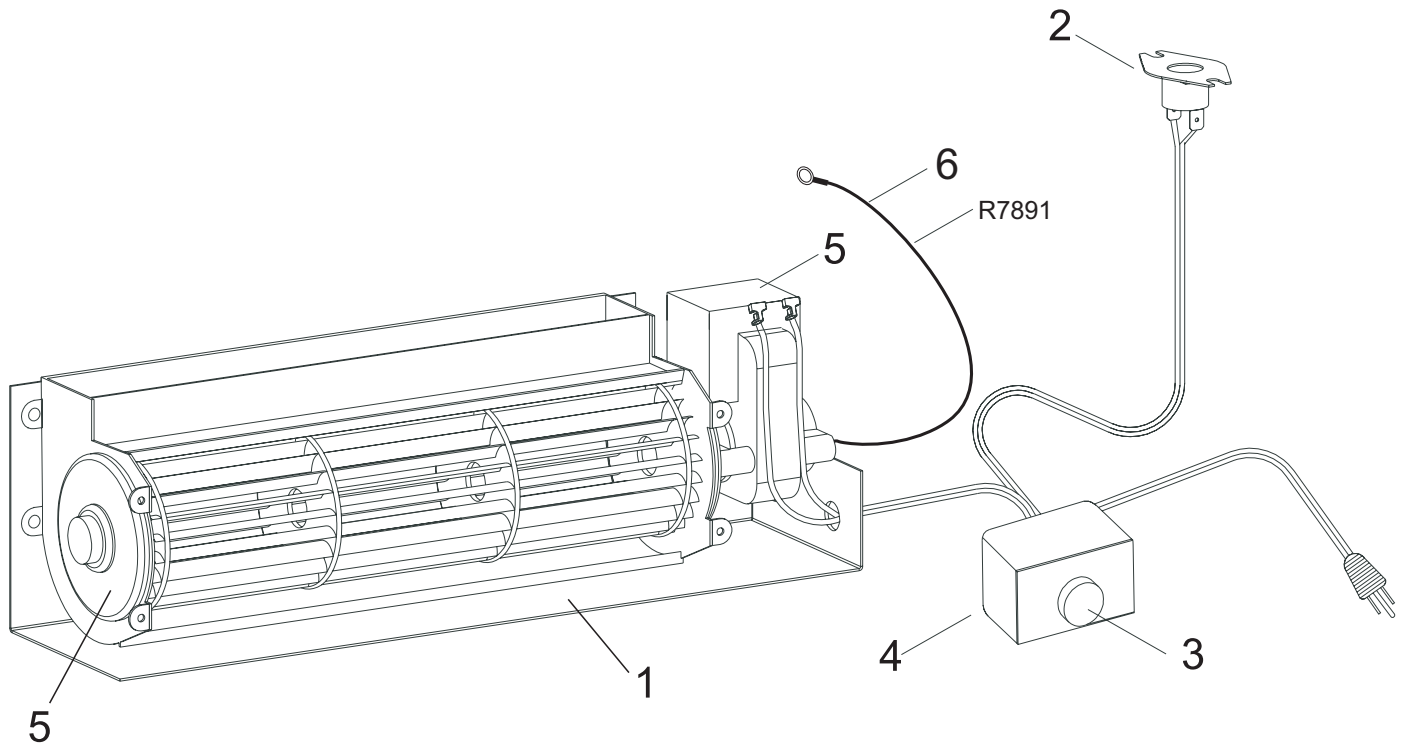
BLOWER WHEELS

The blower wheels will collect lint and could require periodic cleaning. If the air output decreases or the noise level increases, it indicates a dirty blower wheel. Remove fan and clean blower wheels.

⚠ WARNING

Unplugging of blower accessory will not stop the heater from cycling. To turn off gas to the heater (millivolt model): push in gas control knob slightly and turn clockwise to "OFF." Do not force. To turn off gas on direct ignition model, turn gas line valve to "OFF."





BLOWER PARTS		
Item Number	Part Number	Description
1	FBB4	Blower Assembly Complete
2	R7649	Fan Control
3	R4192	Speed Control Knob
4	18879	Speed Control
5	R7731	Blower Motor And Wheel Assembly
6	R7891	Wire, Ground



SINCE 1932

www.empirecomfort.com

Empire Comfort Systems Inc.
Belleville, IL

If you have a general question about our products, please e-mail us at info@empirecomfort.com.

If you have a service or repair question, please contact your dealer.