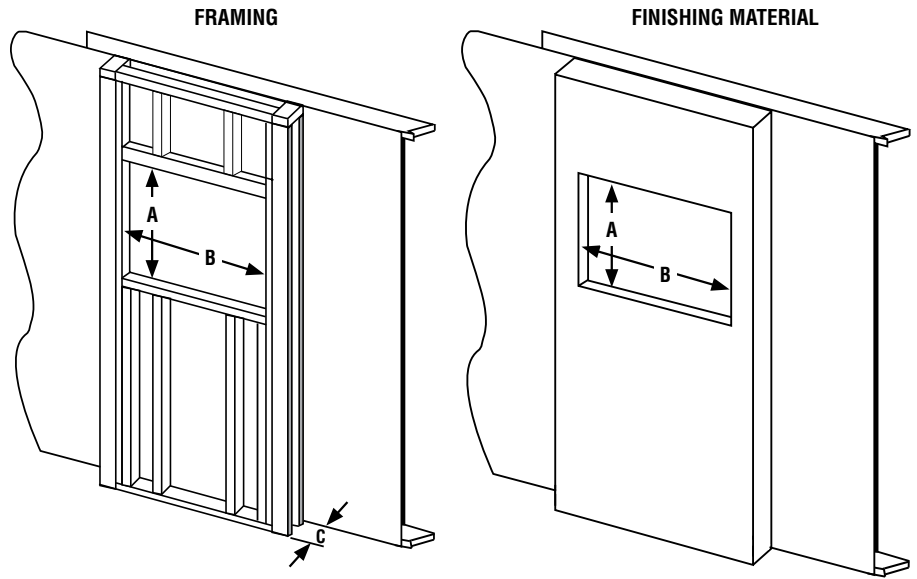


# Sentry™, Plexus™, and ERL Series

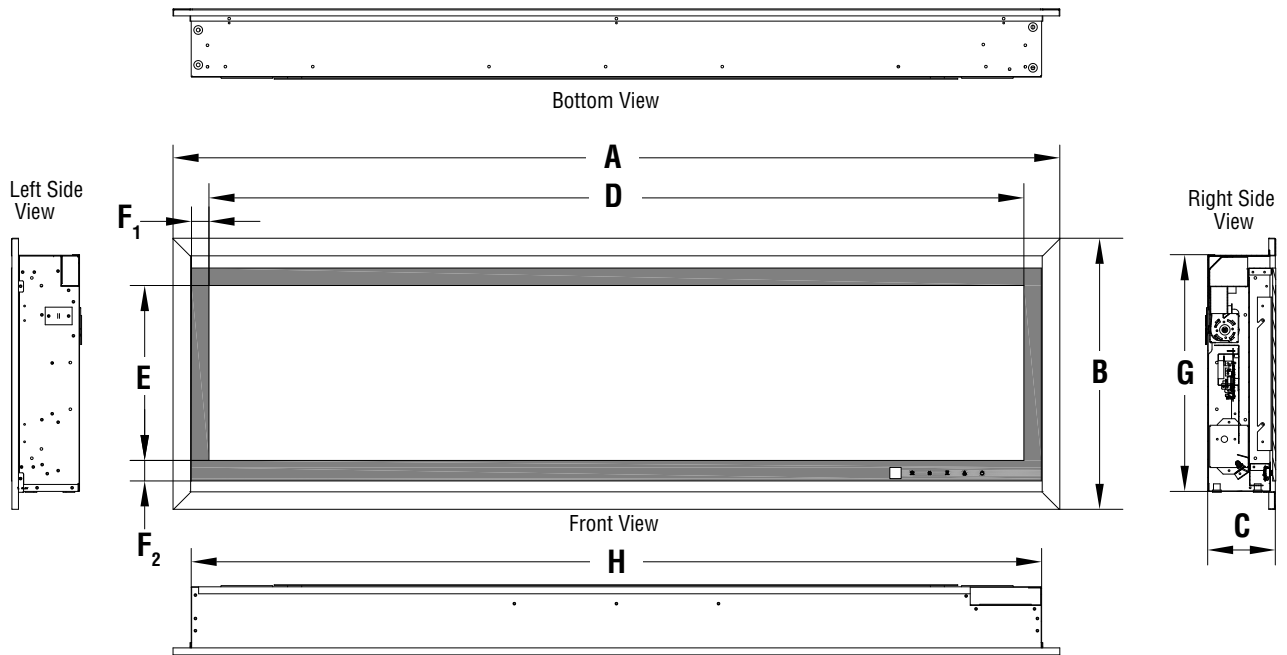
## ELECTRIC FIREPLACES

Recessed Framing Dimensions

Model	A - Height	B - Width	C - Depth
45"	16-1/2"	48"	5-1/8"
55"	16-1/2"	58"	5-1/8"
60"	16-1/2"	63"	6-1/2"
72"	16-1/2"	75"	6-1/2"
84"	16-1/2"	87"	6-1/2"
100"	16-1/2"	103"	6-1/2"



Fireplace Dimensions



PRODUCT DIMENSION									
Models	A	B	C	D	E	F <sub>1</sub>	F <sub>2</sub>	G	H
45"	49-7/8	18-3/8	4-5/8	45	11-7/8	1-1/4	1-3/8	16	47-1/2
55"	59-7/8	18-3/8	4-5/8	55	11-7/8	1-1/4	1-3/8	16	57-1/2
60"	64-7/8	18-3/8	6	60	11-7/8	1-1/4	1-3/8	16	62-1/2
72"	76-7/8	18-3/8	6	72	11-7/8	1-1/4	1-3/8	16	74-1/2
84"	88-7/8	18-3/8	6	84	11-7/8	1-1/4	1-3/8	16	86-1/2
100"	104-7/8	18-3/8	6	100	11-7/8	1-1/4	1-3/8	16	102-1/2

# Sentry™, Plexus™, and ERL Series

## ELECTRIC FIREPLACES

Reference Information

Product Reference Information				
Cat. #	Models	Unit Weight	Ship. Weight	Cu. Ft.
F4443	Sentry 45, ERL2045	43 lbs.	51 lbs.	7.9 cu. ft.
F4444	Sentry 55, ERL2055	53 lbs.	62 lbs.	9.2 cu. ft.
F4445	Plexus 60, ERL3060	75 lbs.	99 lbs.	7.2 cu. ft.

Product Reference Information				
Cat. #	Models	Unit Weight	Ship. Weight	Cu. Ft.
F4446	Plexus 72, ERL3072	90 lbs.	121 lbs.	8.5 cu. ft.
F4447	Plexus 84, ERL3084	105 lbs.	137 lbs.	9.7 cu. ft.
F4448	Plexus 100, ERL3100	124 lbs.	162 lbs.	11.3 cu. ft.

### MINIMUM CLEARANCES TO COMBUSTIBLES

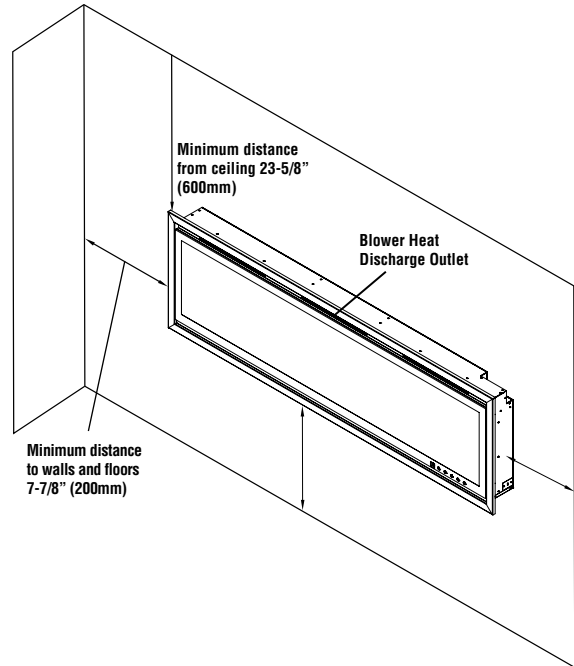
This appliance is an electric fireplace designed to be framed in with combustible materials (up to the edge of the appliance).

**Mantel Clearance:** Combustible and Non-combustible mantels may be installed above the top of the face of fireplace.

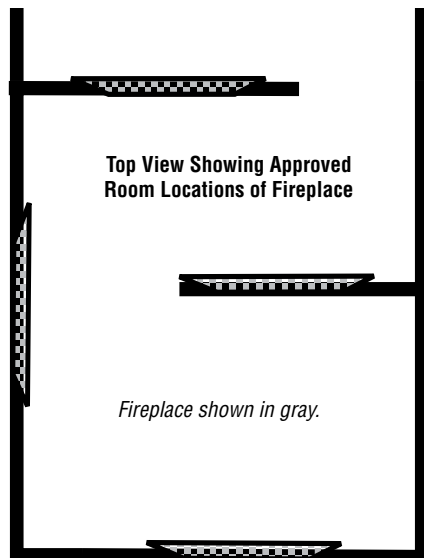
Minimum clearance requirements include any projections such as shelves, window sills, mantels, etc. above the fireplace.

Clearances to Combustibles

Fireplace Clearances		
	Wall	Recess
Sides	7-7/8" (200mm)	0" (0mm)
Floor	7-7/8" (200mm)	0" (0mm)
Top	23-5/8" (600mm)	0" (0mm)
Rear	0" (0mm)	0" (0mm)



Locations



Power

### Power Requirements:

(120 Volt, 60 Hz.)  
 Rated Wattage - 1600 Watts  
 Amperage - 13.33 Amps  
 Blower CFM: 83 CFM  
 (120 V): 5,461 BTU/HR

Power Supply Wire Gage		
Voltage	Wire Gage	Fuse
120 V	14 GA.	15 AMP

Listing



This appliance has been tested in accordance with UL 2021 and CSA C22.2 No. 46-M198 standards for fixed and location dedicated electric room heaters.

Report # 2048831

Specifications and clearances are subject to change without notice. Refer to Installation Manual before installation of these appliances for updated dimensions and instructions.