



DYNASTY FIREPLACES

Installation Guide for Dynasty Fireplaces Harmony Series (DY-BEF)



WARNING & CAUTION PAGE:

PLEASE NOTE:

- Power on and test the electric fireplace unit prior to installation
- This is a general installation guide - local building codes may vary. Consult local building codes prior to installation.

Improper installation, adjustment, alteration, service or maintenance can cause injury or property damage. Refer to the product user manual. For assistance or additional information, consult a qualified installer.

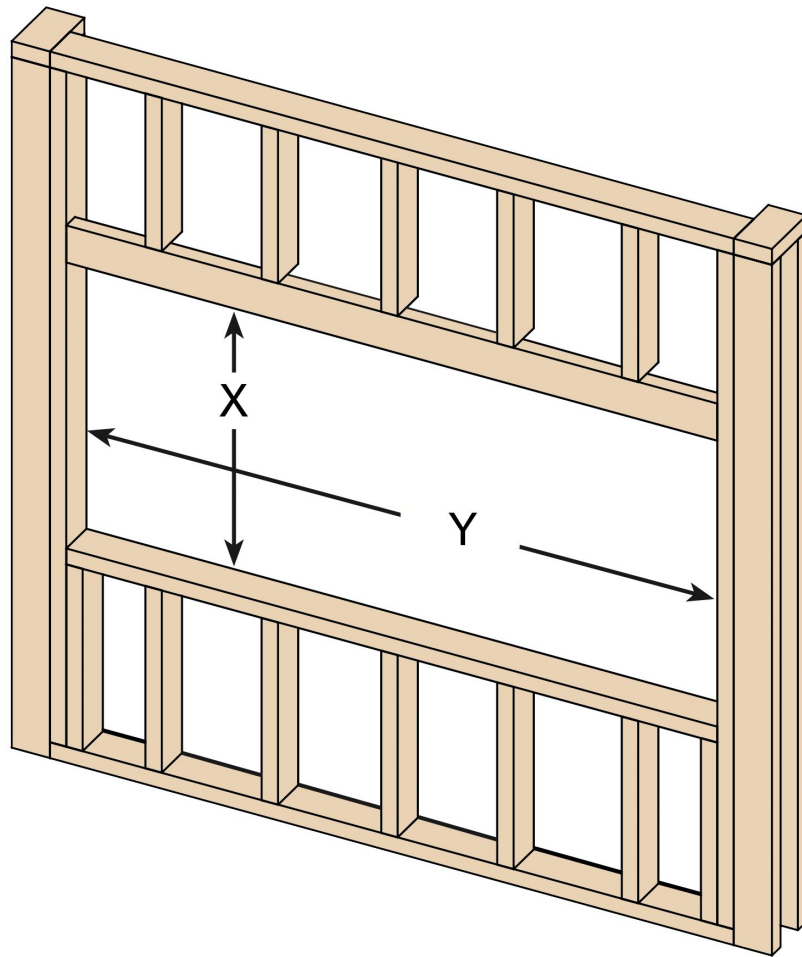
Do not insert or allow foreign objects to enter any ventilation or exhaust opening as this may cause an electric shock or fire, or damage the heater.

DO NOT run power cord under carpeting. DO NOT cover power cord with throw rugs, runners, or similar coverings. DO NOT route power cord under furniture or appliances. Arrange power cord away from traffic area, and where it will not be tripped over.

ALWAYS plug heaters directly into a wall outlet/receptacle. NEVER use with an extension cord or relocatable power tap (outlet/power strip).

NEVER plug this heater into an outlet that is old, cracked, or has any loose wires or connections. Plugging this heater into a faulty outlet could result in electric arcing within the outlet that could cause the outlet to overheat or catch fire

Harmony Series Installation Guide

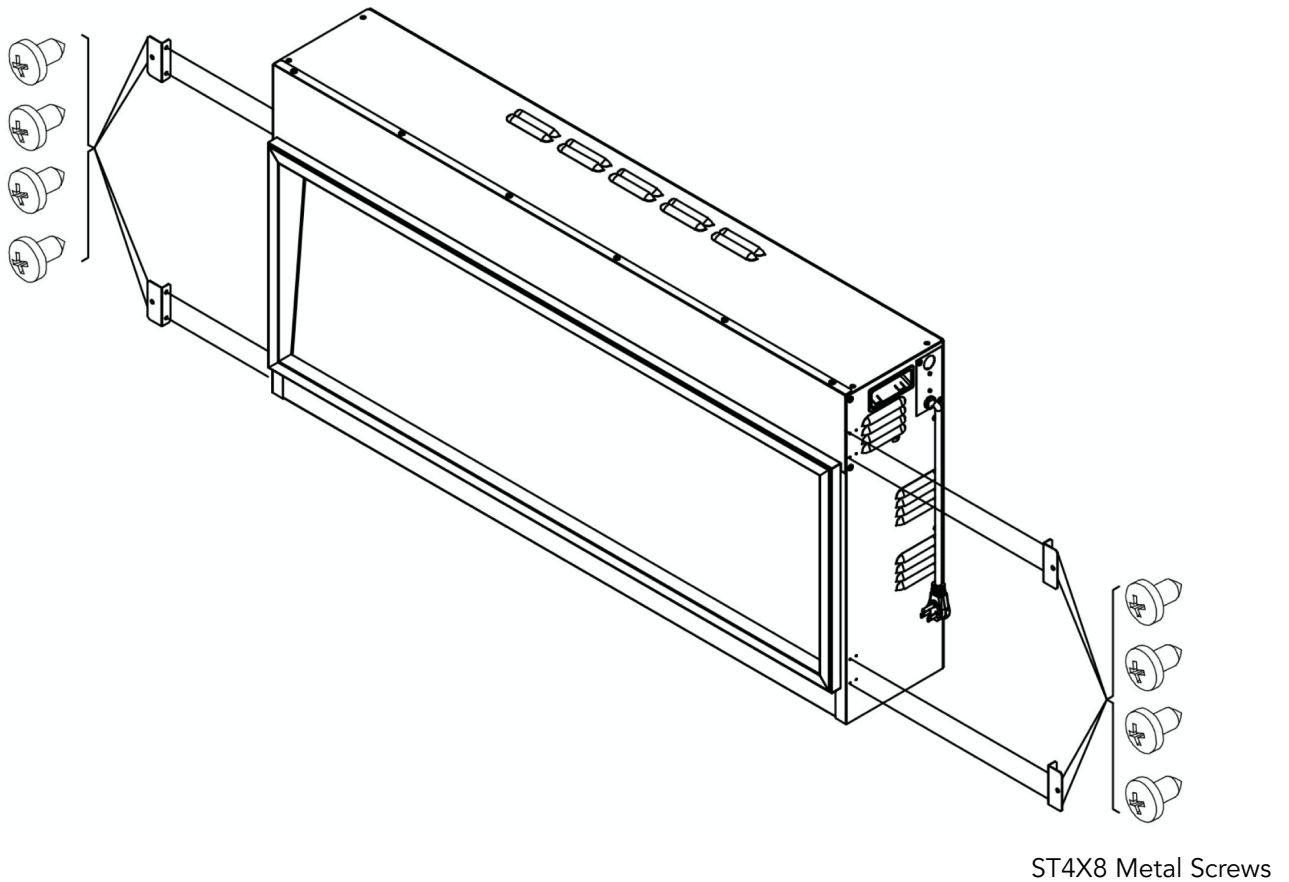


STEP 1

1. Create framing and opening according to the dimensions of your fireplace

Framing Dimensions				
Model	DY-BEF45	DY-BEF57	DY-BEF64	DY-BEF80
X	22 ½"	22 ½"	22 ½"	22 ½"
Y	45"	57"	65"	80 ½"
Depth	8"	8"	8"	8"

Harmony Series Installation Guide

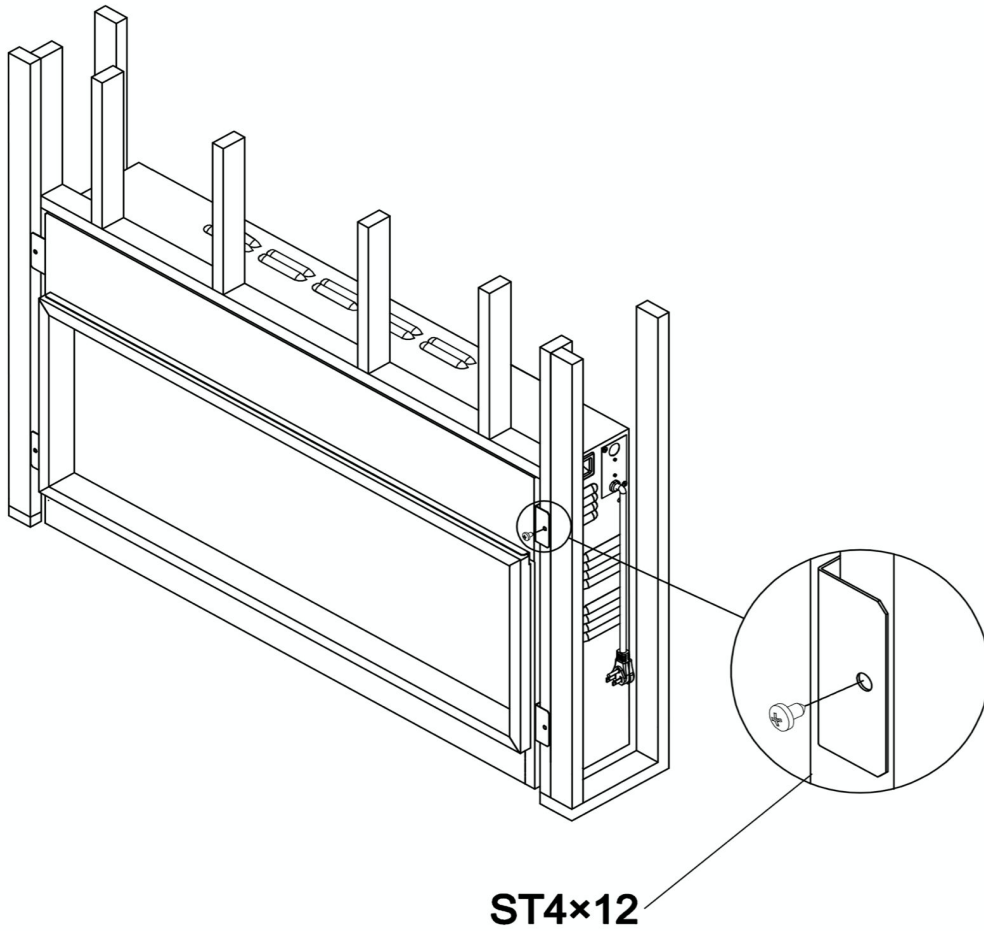


ST4X8 Metal Screws

STEP 2

2. Prepare the electric fireplace to be installed in the opening, secure the four L-brackets to the sides of the fireplace.

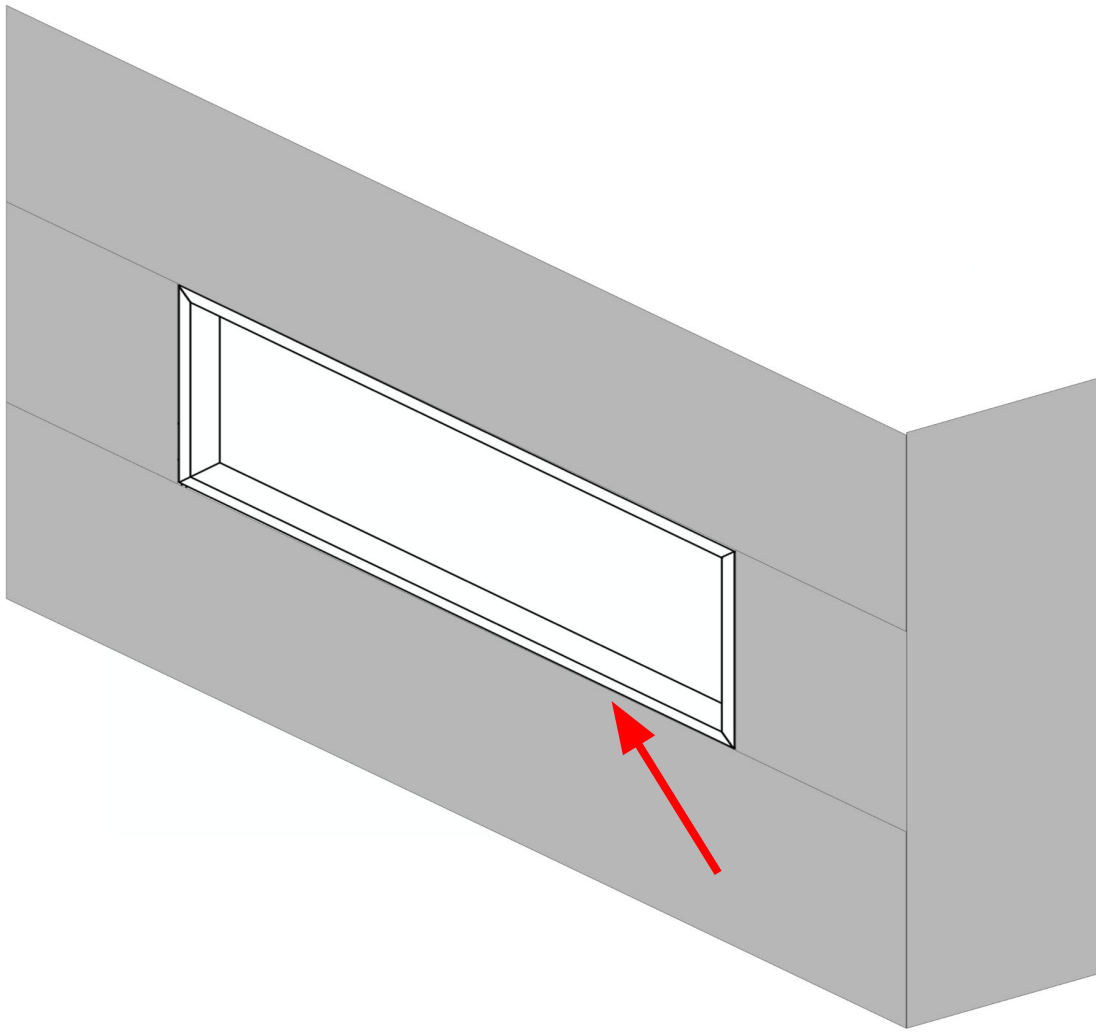
Harmony Series Installation Guide



STEP 3

3. Place the fireplace in the opening and secure the L-brackets onto the framing studs

Harmony Series Installation Guide



STEP 4

4. Apply finishing material around the fireplace viewing area

NOTE:

The metal area above the viewing area of the fireplace can be finished over with the finishing of your choice, and does not need to be exposed.

SUPPORT

For more product information, maintenance guide, and contact information, visit:

support.dynastyfireplaces.com

Contact us:

support@dynastyfireplaces.com



THANK
YOU

WWW.DYNASTYFIREPLACES.COM