

# INSTALLATION INSTRUCTIONS DECORATIVE FRONTS

**FOR USE ON MODELS: DVLL(36,48,60,72)BP,SP SERIES FIREPLACES ONLY**

**INSTRUCTIONS MUST BE LEFT WITH THE OWNER FOR FUTURE REFERENCE AFTER INSTALLATION.**

DECORATIVE FRAME MODELS			
DVLL36	DVLL48	DVLL60	DVLL72
DFF36LFPD	DFF48FPD	DFF60FPD	DFF72FPD
DFF36LBL	DFF48LBL	DFF60LBL	DFF72LBL
DFF36LBZT	DFF48LBZT	DFF60LBZT	—

## CLEANING

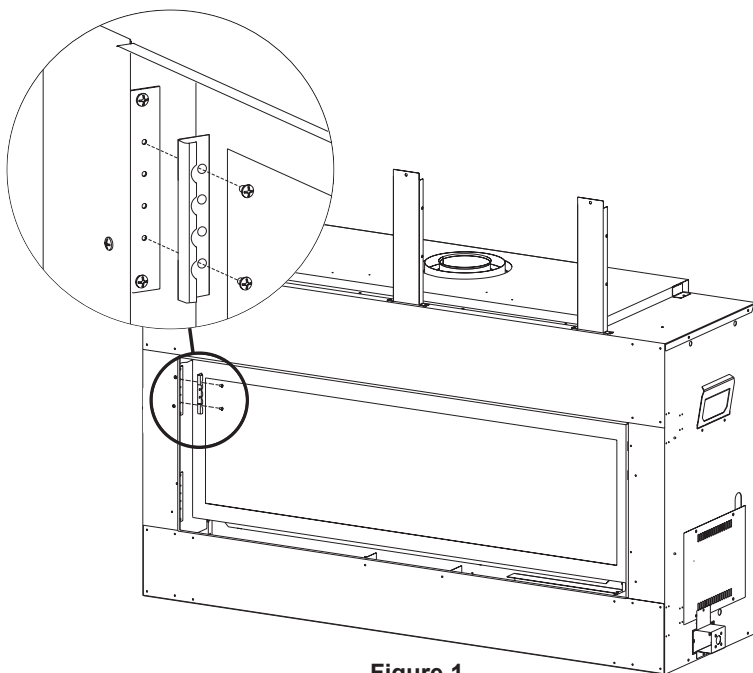
With the unit turned off and cool to the touch, use a 50/50 solution of vinegar and water and a clean soft cloth to remove dirt and fingerprints. Clean frame before and after start-up and again anytime oil or fingerprints are present. When heated, oil from fingerprints or left over from manufacturing can permanently discolor the plating.

## TOOLS NEEDED:

- Phillips Screwdriver

## INSTALLATION

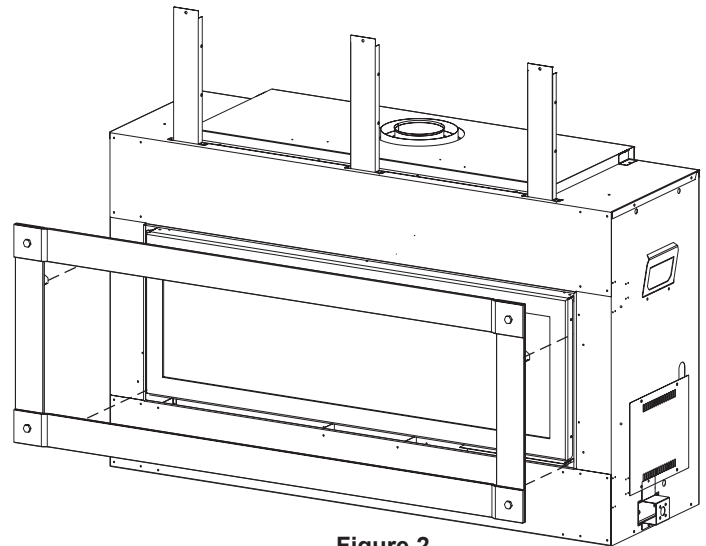
1. Remove the fireplace barrier screen assembly. Lift up the barrier screen approximately 3/8 inch, then pull forward to remove it from the fireplace.
2. Install on front bracket per side with two #8 x 1/2-inch screws each. **See Figure 1.**



**Figure 1**

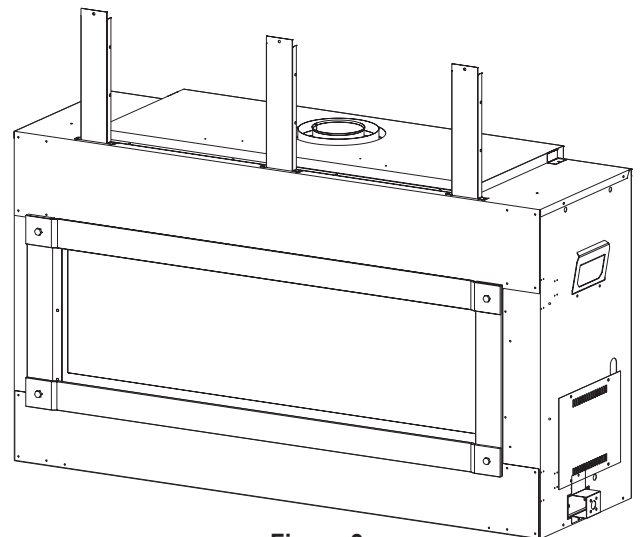
3. Reinstall the barrier screen assembly.

4. Insert the extended bracket tabs on the rear of the Forged Iron Decorative Front into the front brackets installed in Step 2. **See Figure 2.**

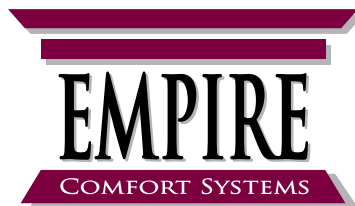


**Figure 2**

5. Installation is complete. **See Figure 3.**



**Figure 3**



**Empire Comfort Systems Inc.  
Belleville, IL**

If you have a general question  
about our products, please e-mail  
us at [info@empirecomfort.com](mailto:info@empirecomfort.com).

If you have a service or repair  
question, please contact your dealer.

SINCE 1932

**[www.empirecomfort.com](http://www.empirecomfort.com)**