

# MANTEL ASSEMBLY INSTRUCTIONS

EMBF-1S-(C,DO,O,UH,UO,W)-1    EMBF-2S-(C,DO,O,UH,UO,W)-1  
EMBF-3S-(C,DO,O,UH,UO,W)-1    EMBF-4S-(C,DO,O,UH,UO,W)-1  
EMBF-5S-(C,DO,O,UH,UO,W)-1    EMBF-6S-(C,DO,O,UH,UO,W)-1  
EMBF-7S-(C,DO,O,UH,UO,W)-1    EMBF-8S-(C,DO,O,UH,UO,W)-1

## FULL CABINET MANTEL

EFFECTIVE DATE APRIL 2006

---

INSTRUCTIONS MUST BE LEFT WITH THE OWNER FOR FUTURE REFERENCE AFTER INSTALLATION.

---

1. Place base in desired location. Place fireplace on base and route gas line to fireplace.

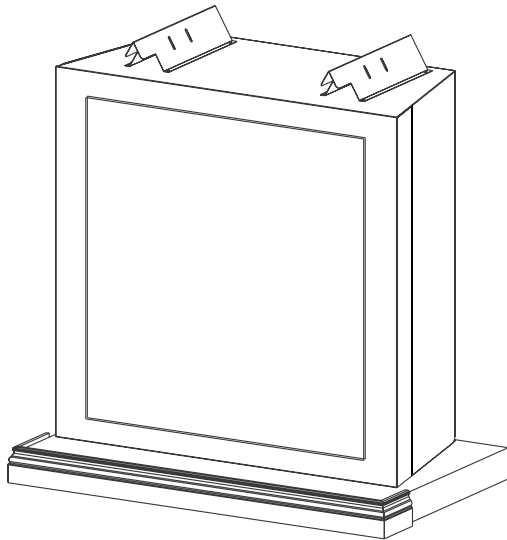


Figure 1

2. Position left side assembly and right side assembly against base.

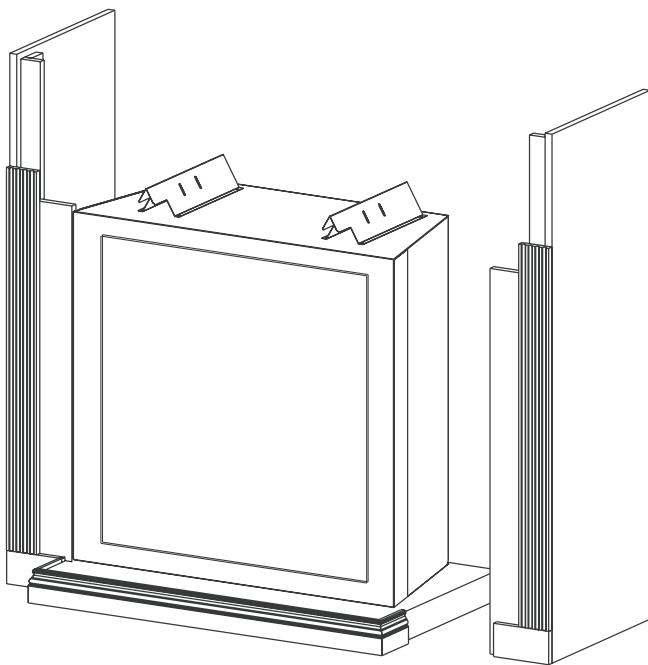


Figure 2

3. Position breastboard assembly to the front of left side assembly and right side assembly.

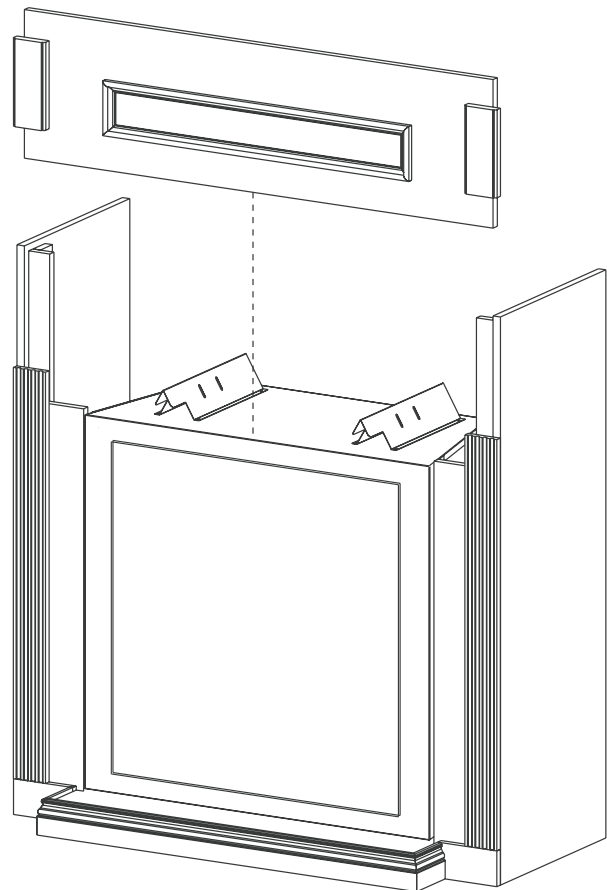
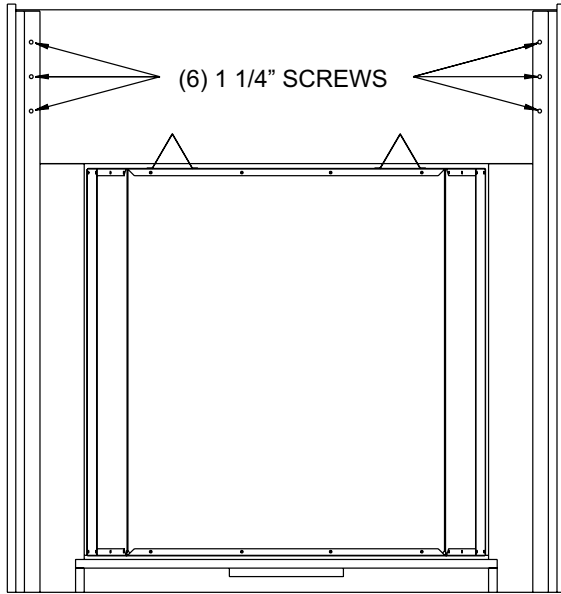


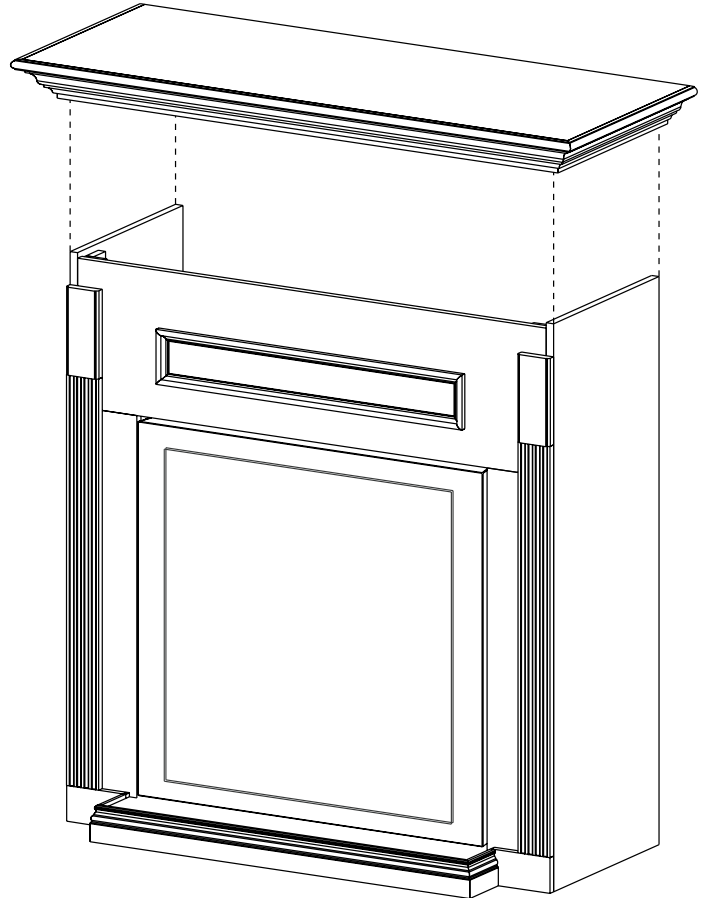
Figure 3

4. Use six (6) 1 1/4" screws to attach breastboard assembly to left side assembly and right side assembly.



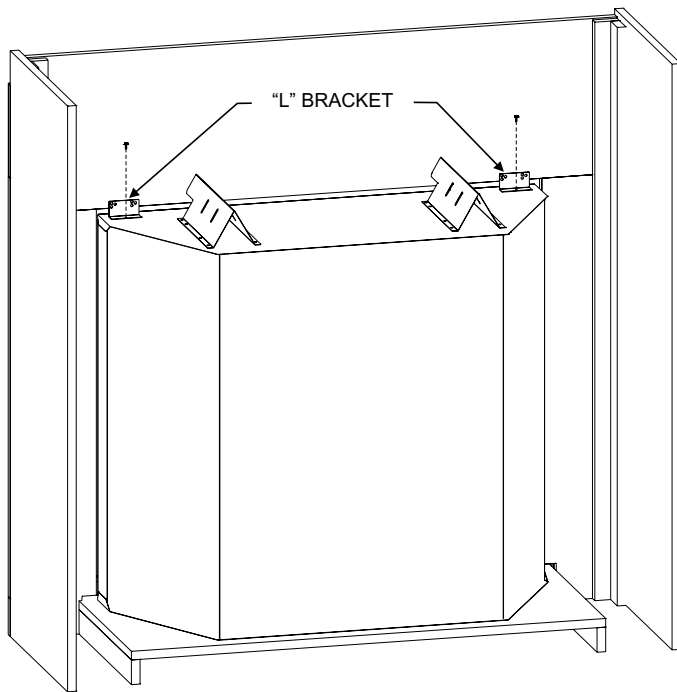
**Figure 4**

6. Place top assembly onto left side assembly and right side assembly.



**Figure 6**

5. Attach "L" Bracket to top of firebox to secure mantel to firebox.



**Figure 5**

7. Installation of mantel is completed.