

CAUTION: Sharp edges. Use protective gloves when installing.

Bench Installation

1. Remove Blower Access Panels (Figure 1).

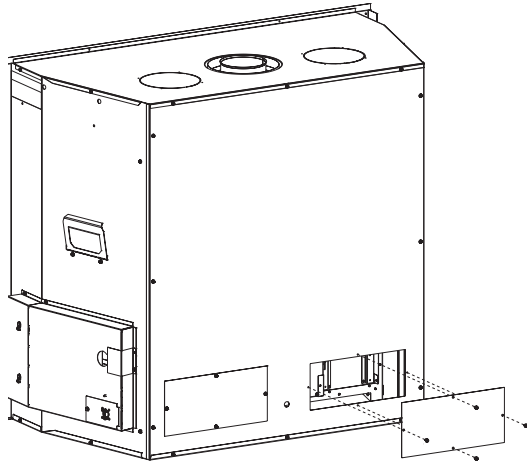


Figure 1

2. Place Blower onto blower brackets. (Figure 2)

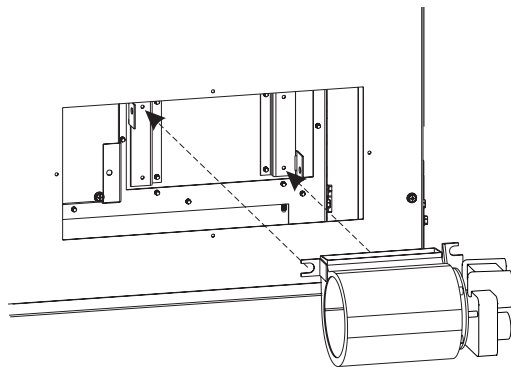


Figure 2

3. Hand bend tab as shown in (Figure 3) and secure with (2) screws.

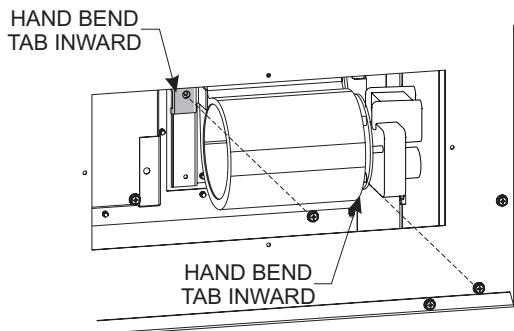


Figure 3

4. Remove protective connectors on Wire Assembly from fireplace and discard. Connect Wire Harness to both blowers and the other end to the Wire Assembly supplied with the fireplace. (Figure 4)

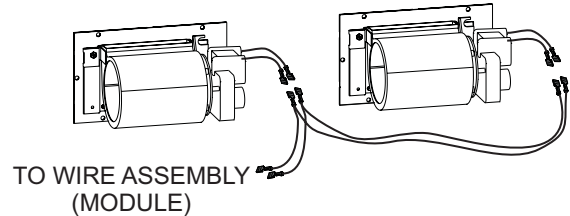


Figure 4

5. Replace Blower Access Panels removed in step 1. (Figure 1)

Installation After Placement of Unit in Wall

1. Remove the following items (Figure 5).
 - Screen barrier (See Homeowner's Manual, Maintenance and Service).
 - Glass Frame Assembly (See Homeowner's Manual, Maintenance and Service).
 - Liners (See separate liner instruction document).

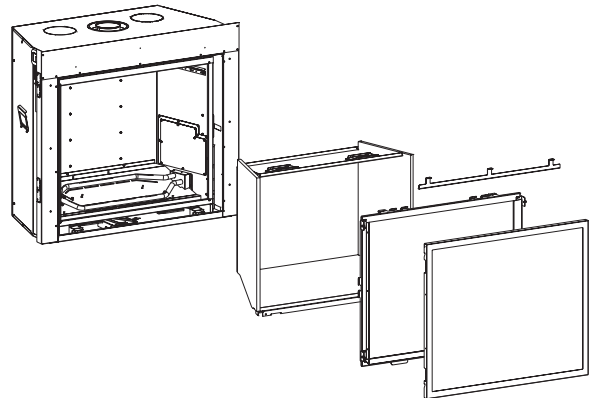


Figure 5

2. Remove front and rear burner (Figure 6).

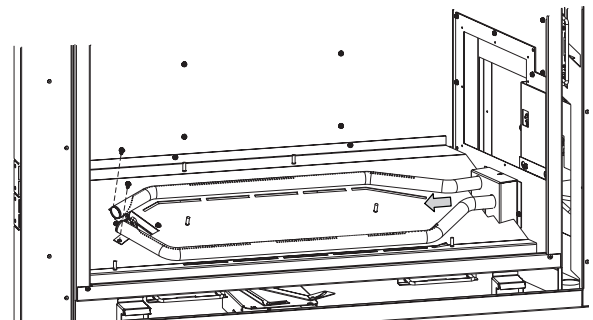


Figure 6

- Remove burner base (**Figure 7**).

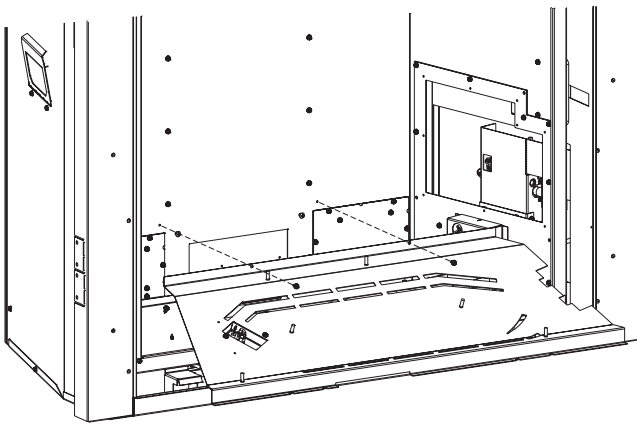


Figure 7

- Remove Blower Access Plates by taking out (6) screws each (**Figure 8**).

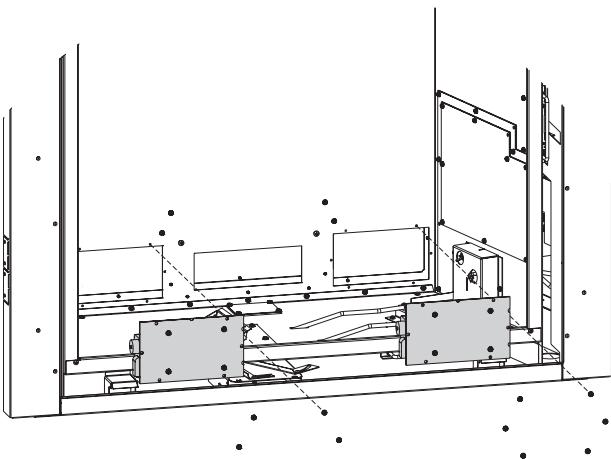


Figure 8

- Place Blower onto blower brackets (**Figure 9**).

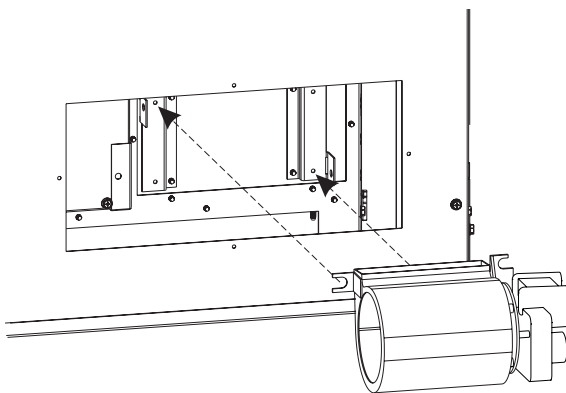


Figure 9

- Hand bend tab as shown in (**Figure 10**) and secure with (2) screws.

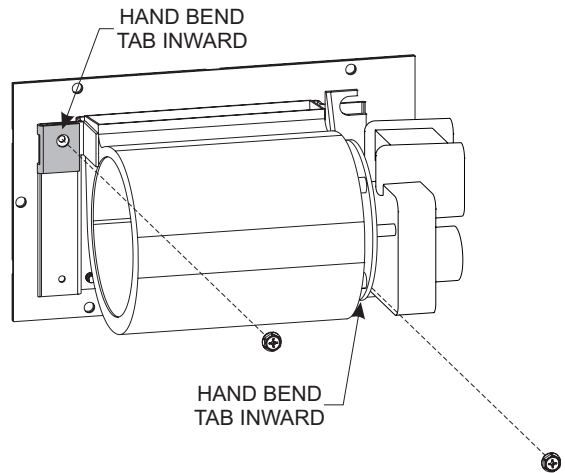


Figure 10

- Remove protective connectors on Wire Assembly from fireplace and discard. Connect Wire Harness to both blowers and the other end to the Wire Assembly supplied with the fireplace. (**Figure 11**)

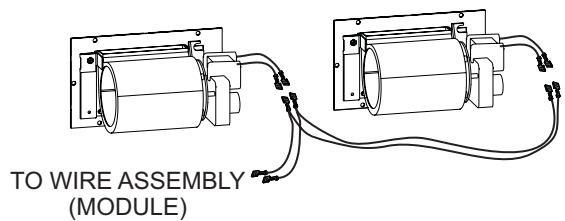


Figure 11

- Replace Blower Access Plates with (6) screws each. (**Figure 12**)

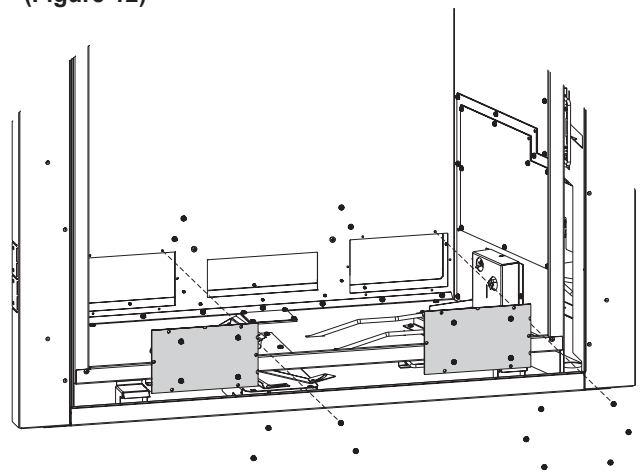


Figure 12

- Replace Screen Barrier, Glass Frame, and liners removed in Step 1. (**Figure 5**)