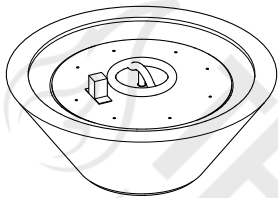
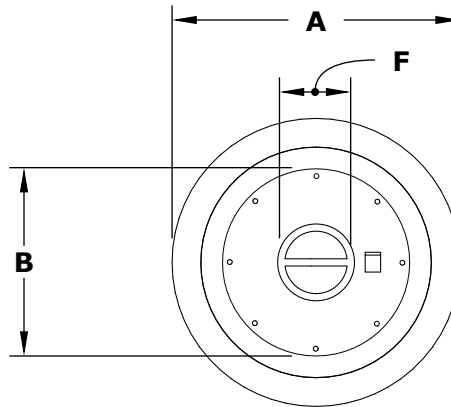


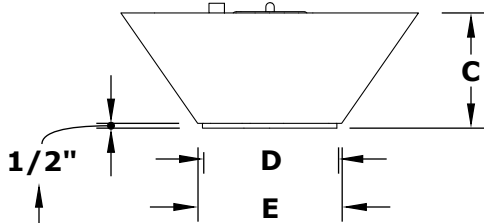
CAZO FIRE BOWL
HAMMERED COPPER



ISOMETRIC VIEW



TOP VIEW



RIGHT SIDE VIEW



FRONT SIDE VIEW

● Dimension only available for 24" & 30" versions.

PART NUMBER	A	B	C	D	E	F	BTU
OPT-101-24NWF	24"	15"	10"	8.5"	10"	8"	45,000
OPT-102-30NWF	30"	19.5"	12"	14"	15"	8"	45,000
OPT-102-36NWF	36"	29"	12"	N/A	15"	12"	65,000

Fire Pit Material: Hammered Copper
Pan Material: 304 Stainless Steel
Burner Material: 304 Stainless Steel
Standard 2" Depth on all pans

12V ELECTRONIC IGNITION
ANSI Z21.97-(2017) / CSA 2.41-(2017)



Match Lit Unit Includes: Pan, Burner, Gas Orifice, Gas Hoses, Key Valve, Key,
110v Ignition Unit Includes: Pan, Burner, Gas Orifice, Gas Hoses, Key Valve, Key, Plug & Play Electronic Valve, Pilot Igniter.

<i>Drawn By</i>	Murguia M.
<i>Date Created</i>	July 13, 2021