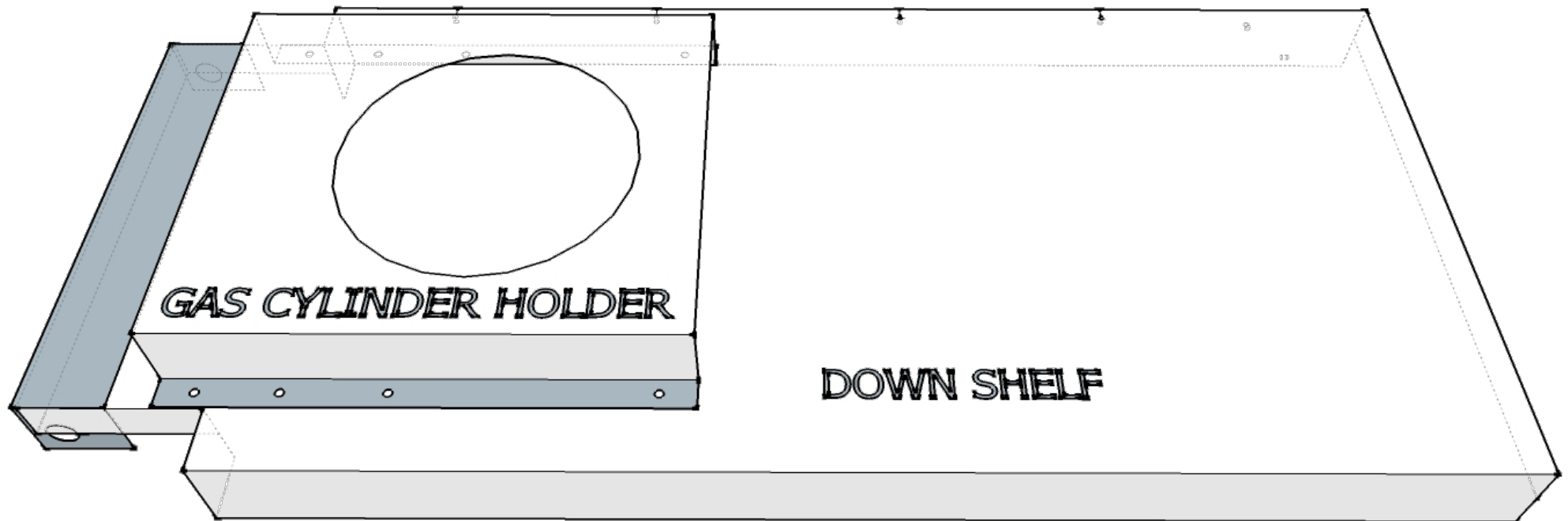


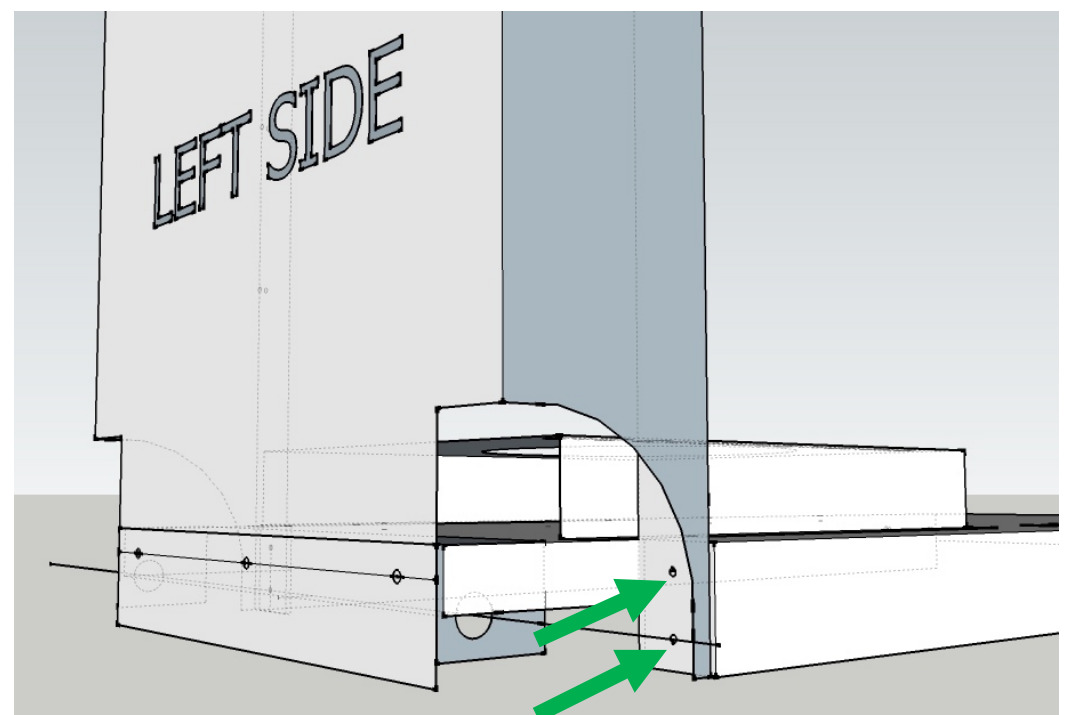
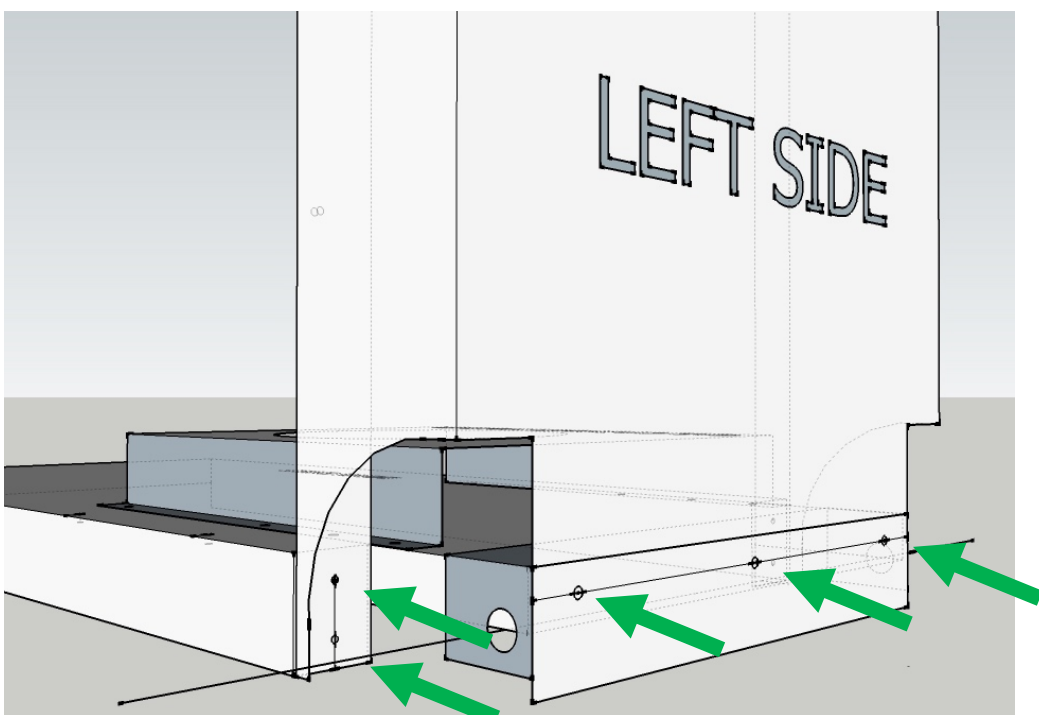
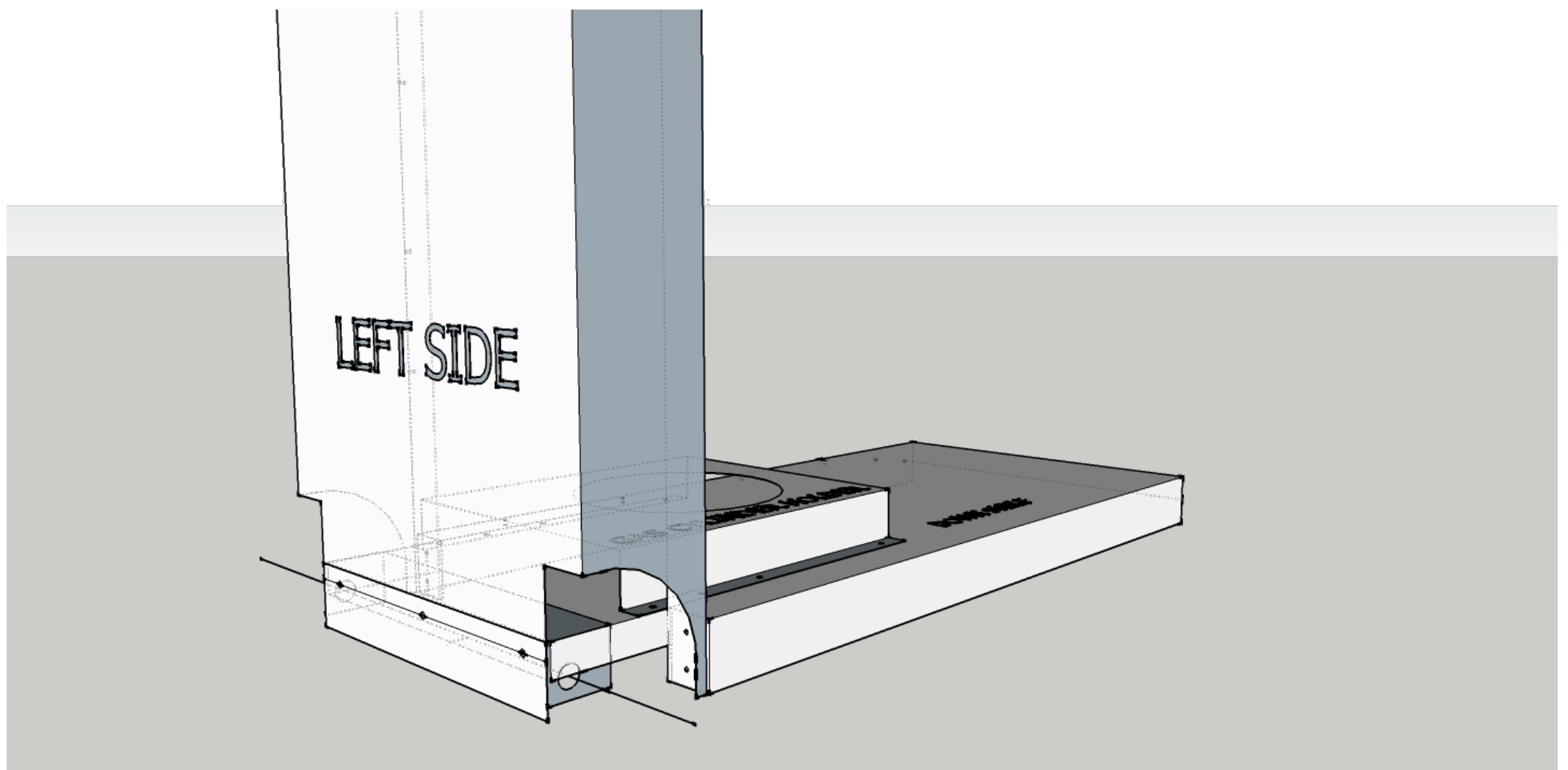
# GF- CART

## Installation Instructions

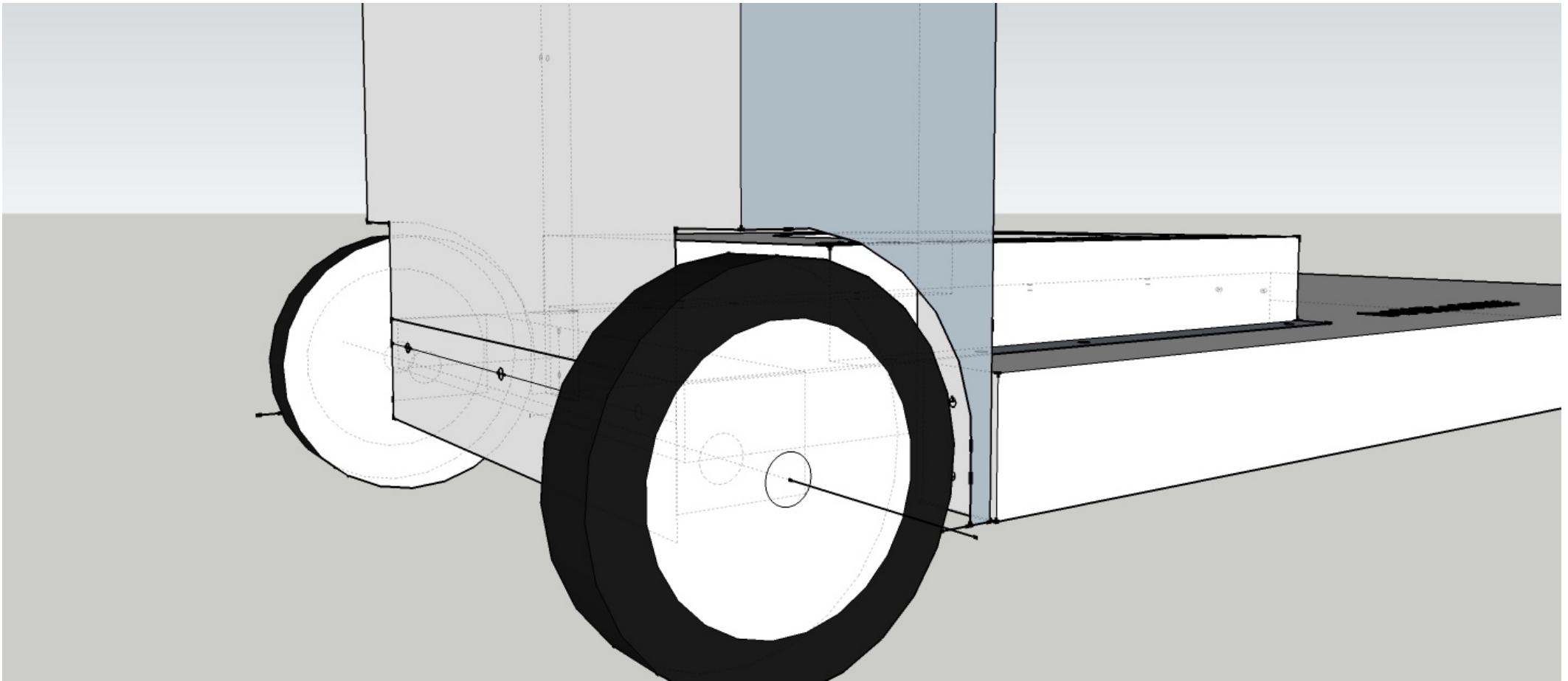
1- Join the Gas Cylinder holder on down shelf with 8 M4 screw



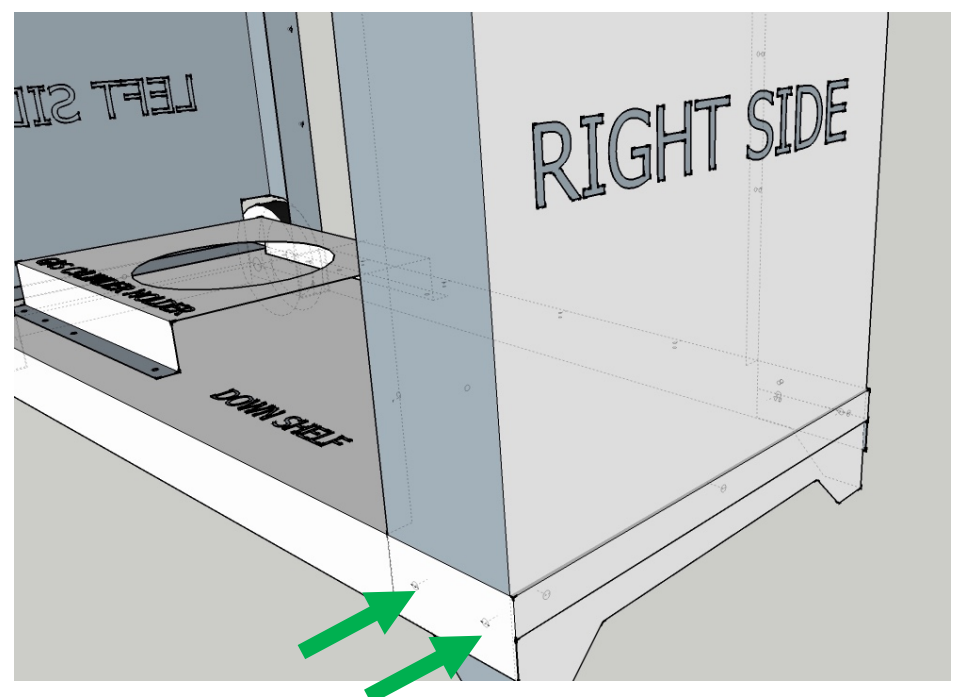
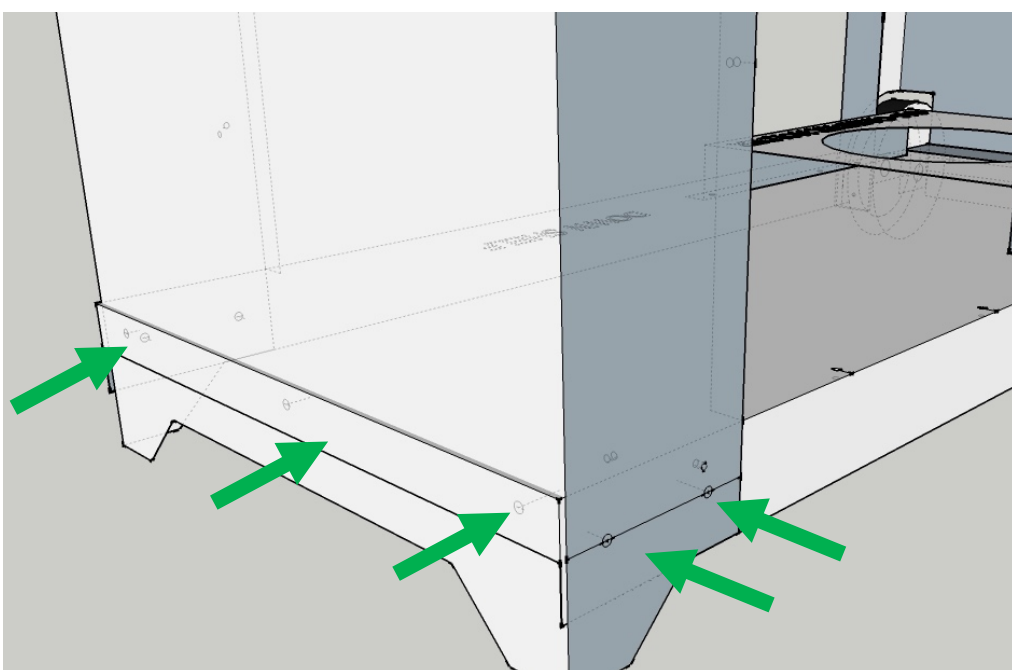
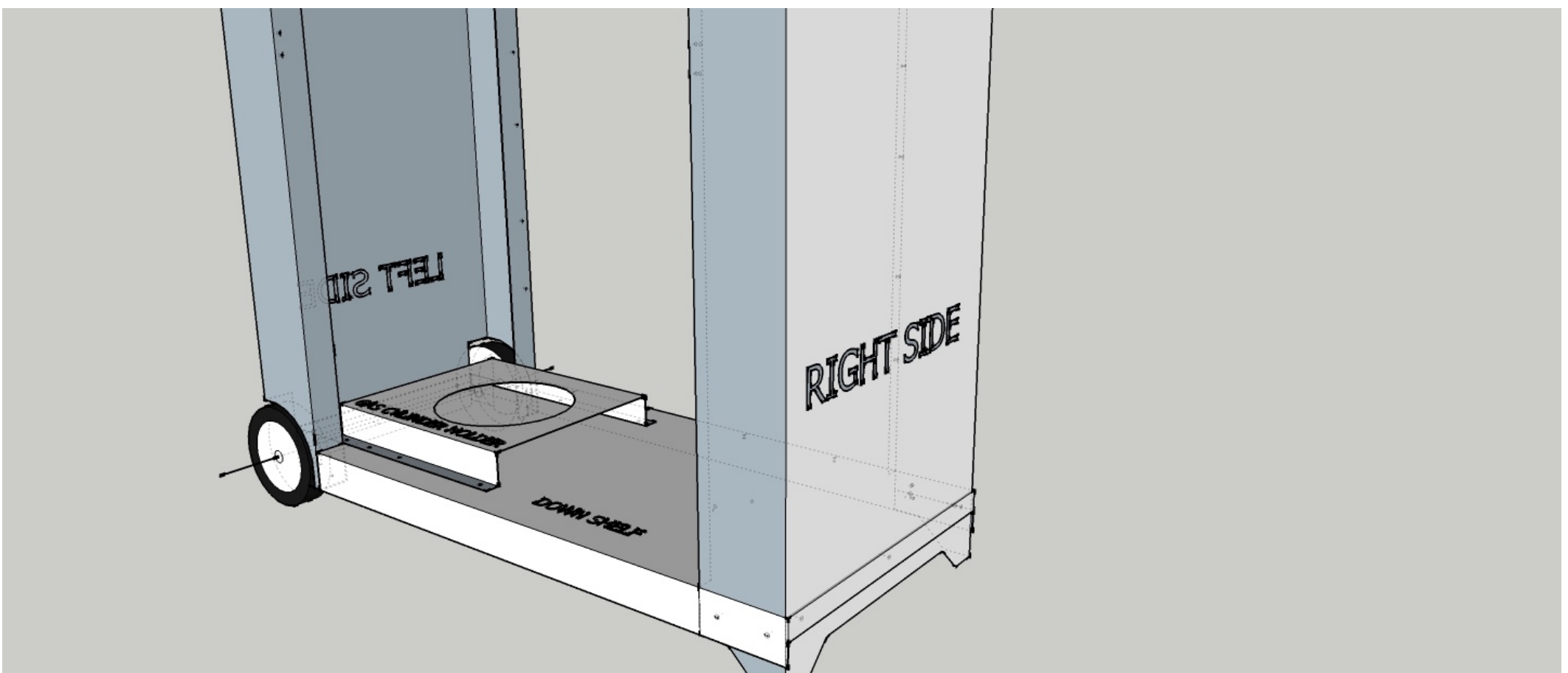
**2- LEFT SIDE** :use the 7 M4 screw



**4- WHEELS** :fix them with 2 M12x80 screws + Nut  
Be carrefull : Tighten the faster **STRONG**

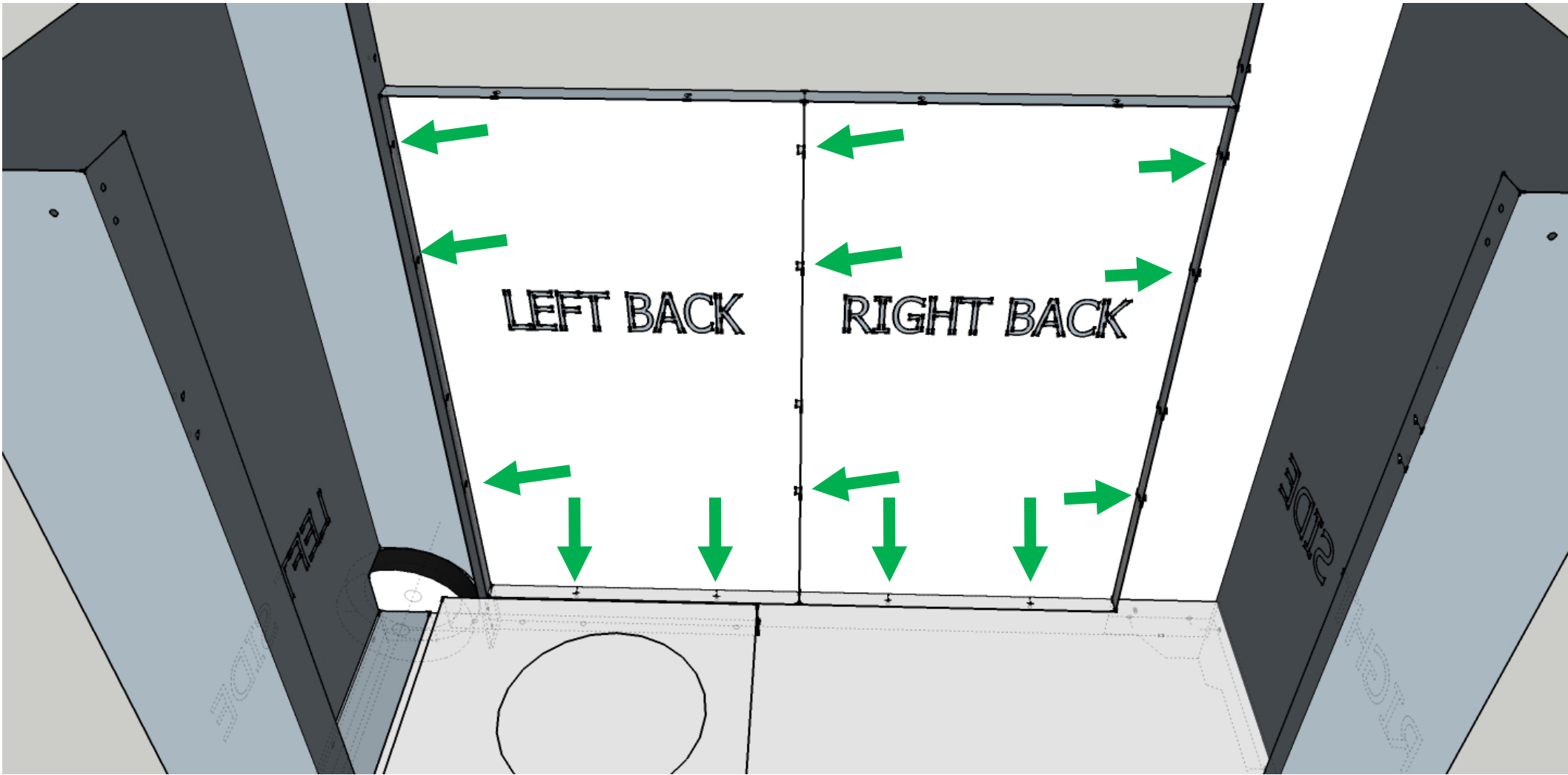


**5- RIGHT SIDE** :use 7 M4 screws

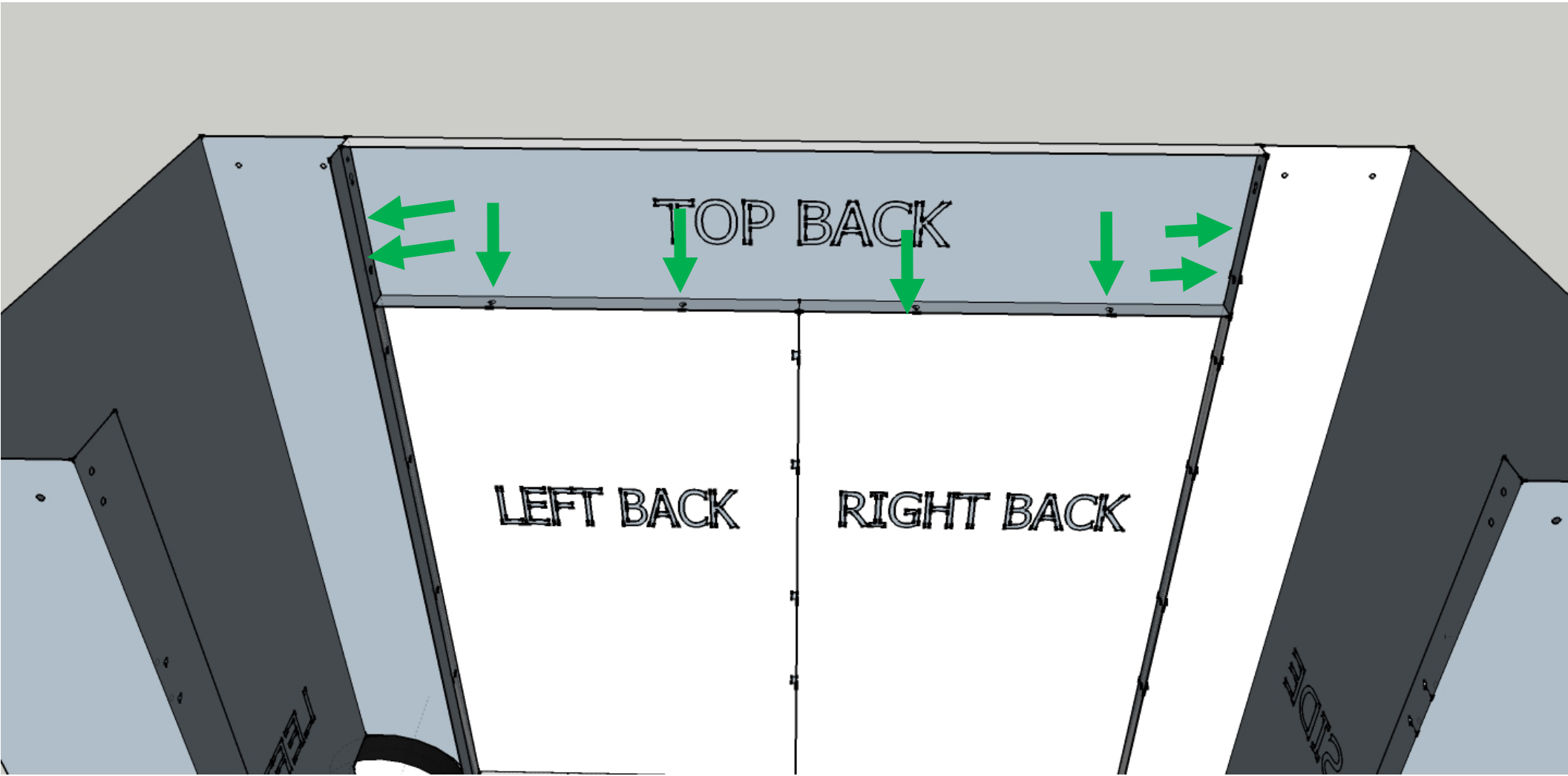




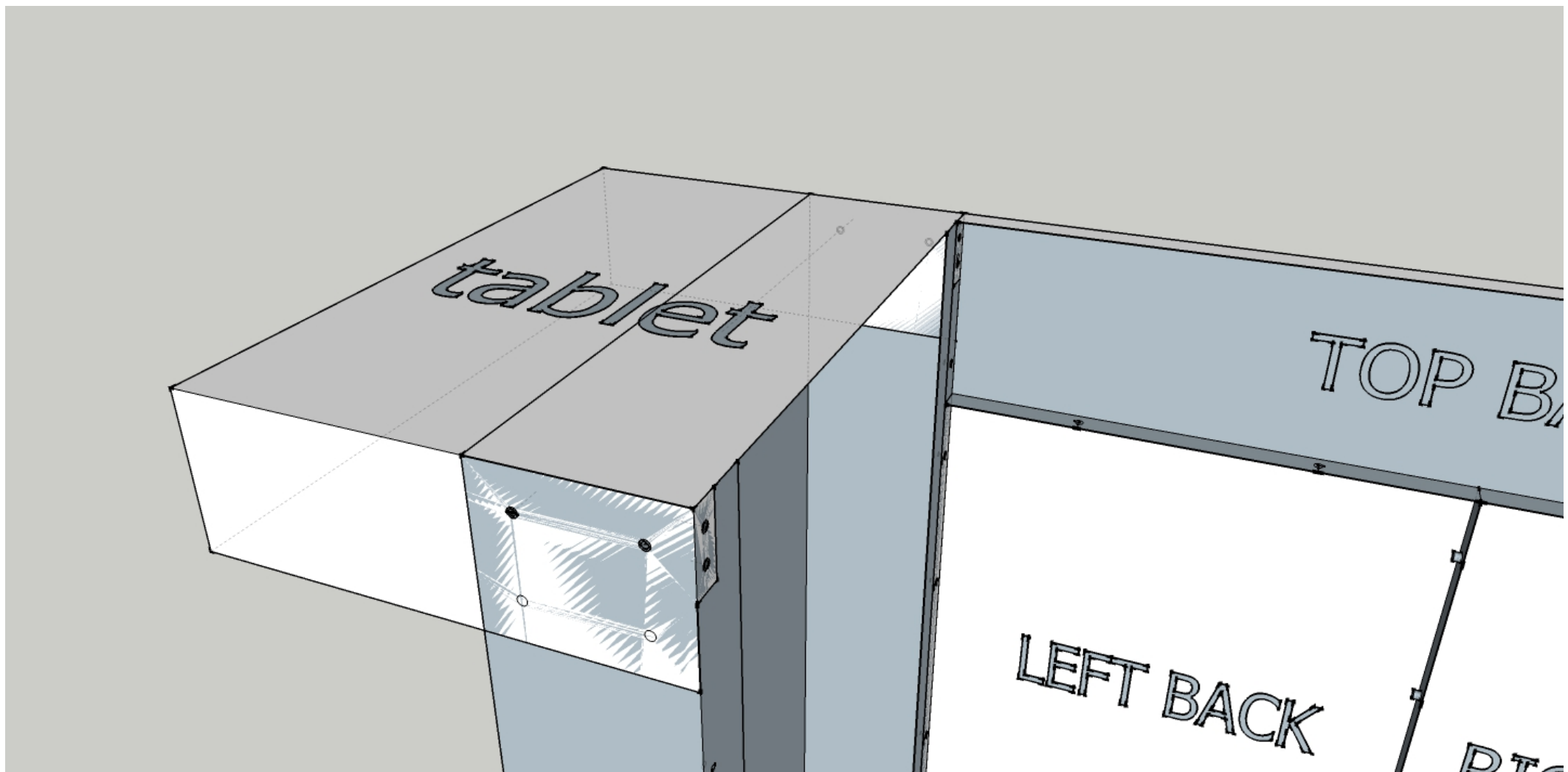
**6- BACK** :Add left and right back fix them with 13 M4 screws



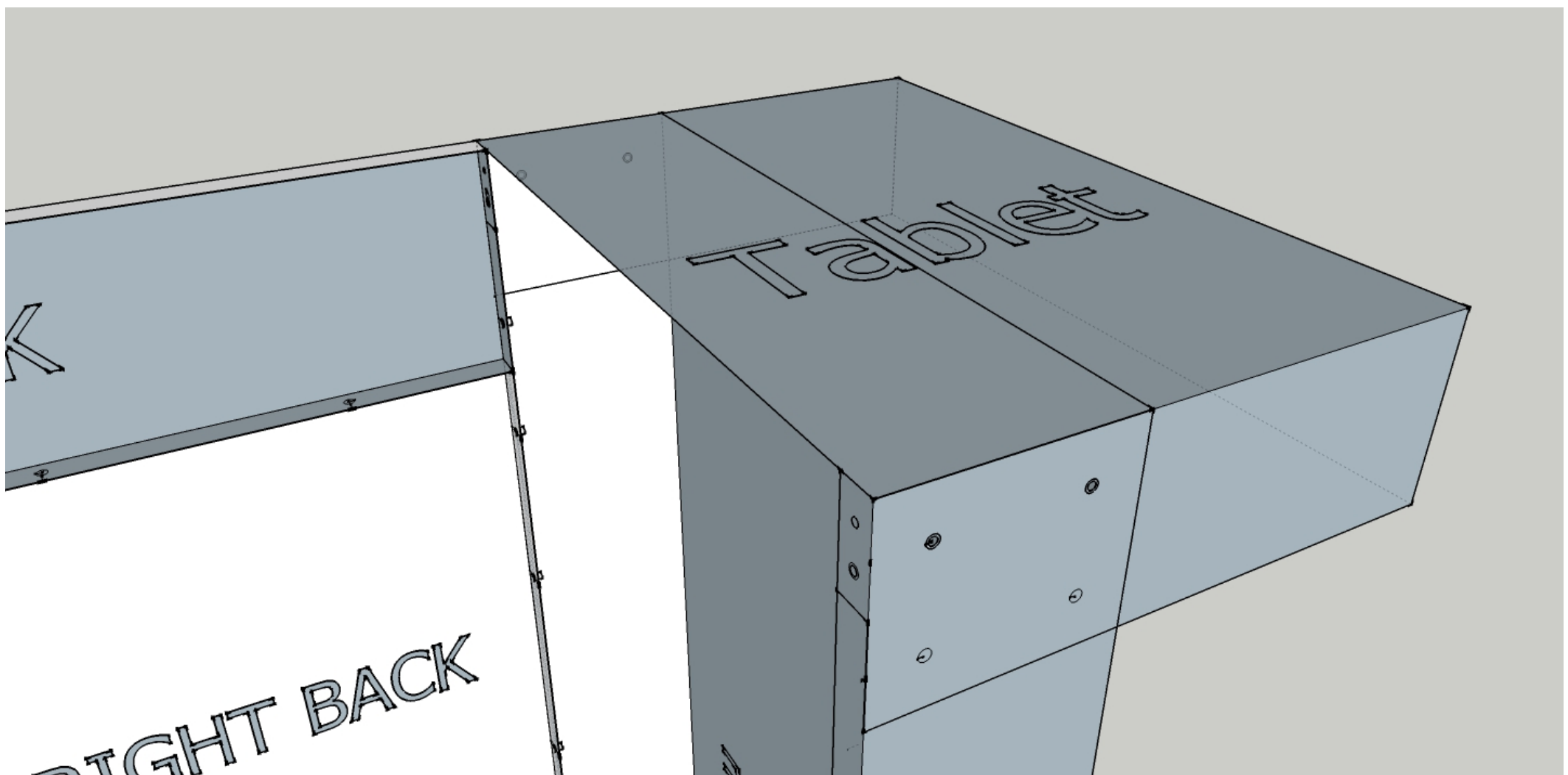
**7- BACK** :Add the top back, fix it with 8 M4 screws



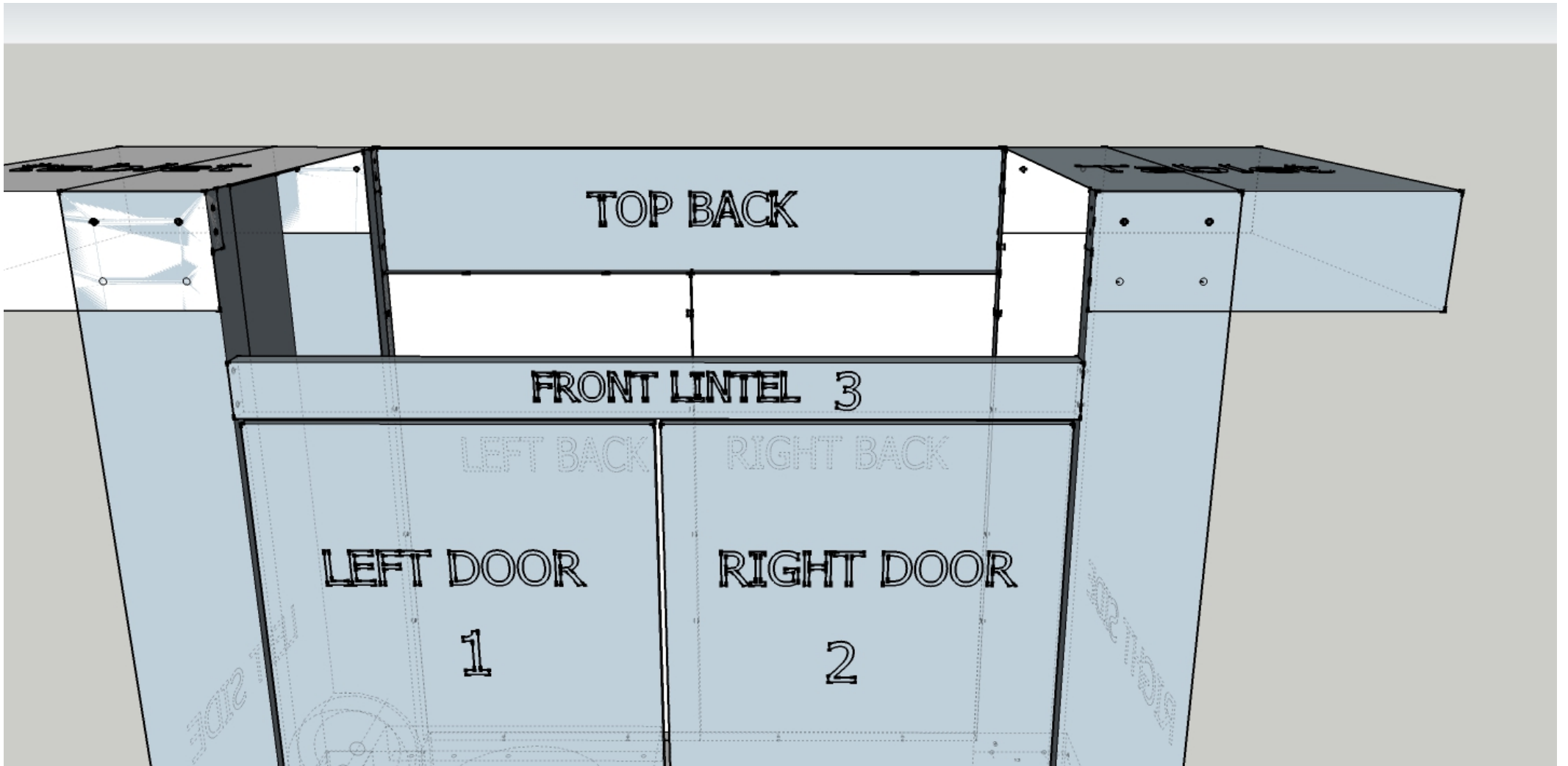
**8-1 TABLET** :Add the left tablet, fix it with 10 M4 screws



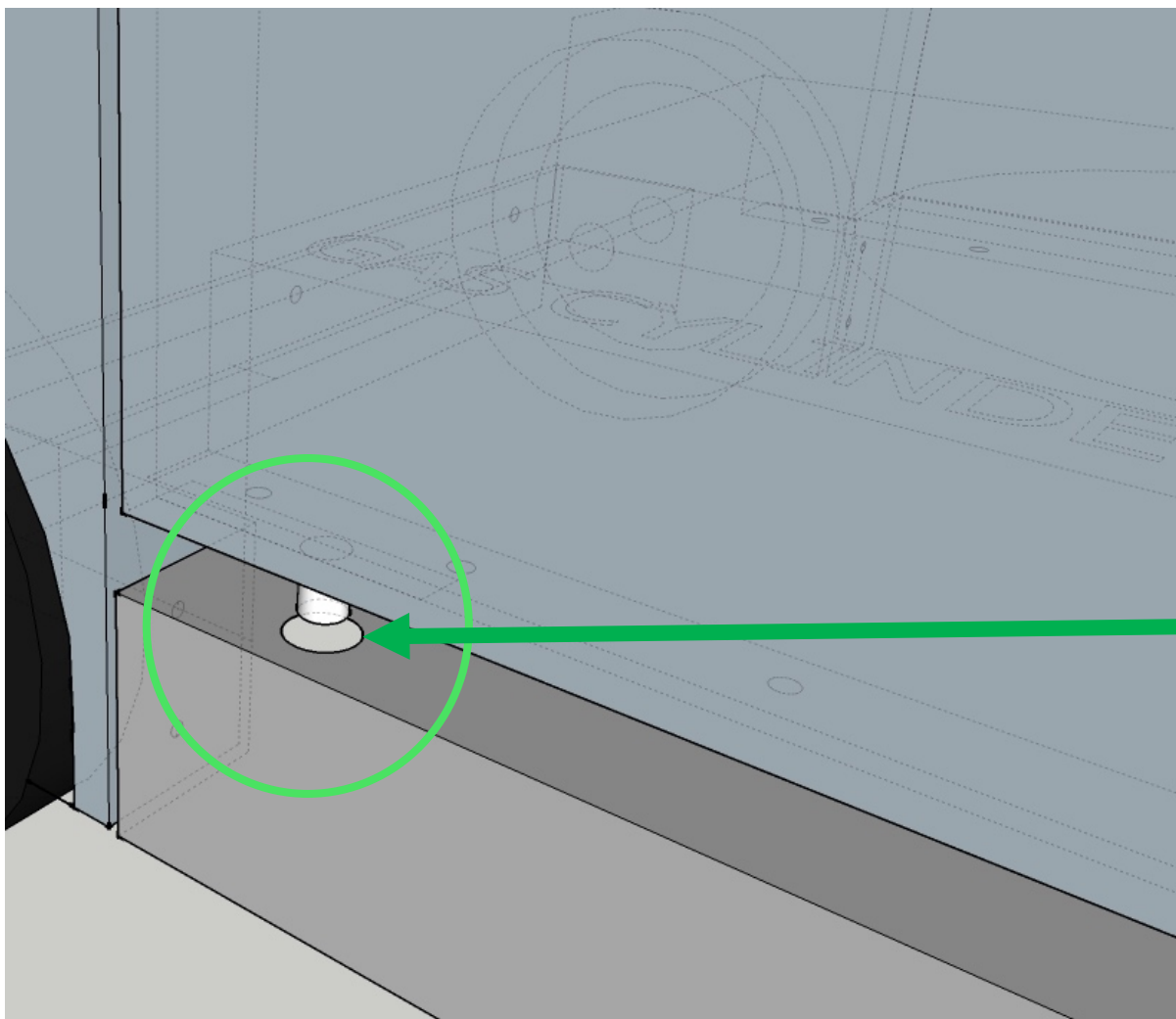
**8-2 TABLET** :Add the right tablet, fix it with 10 M4 screws



**9 FRONT FACE** :Add the left door, the right door them front lintel.

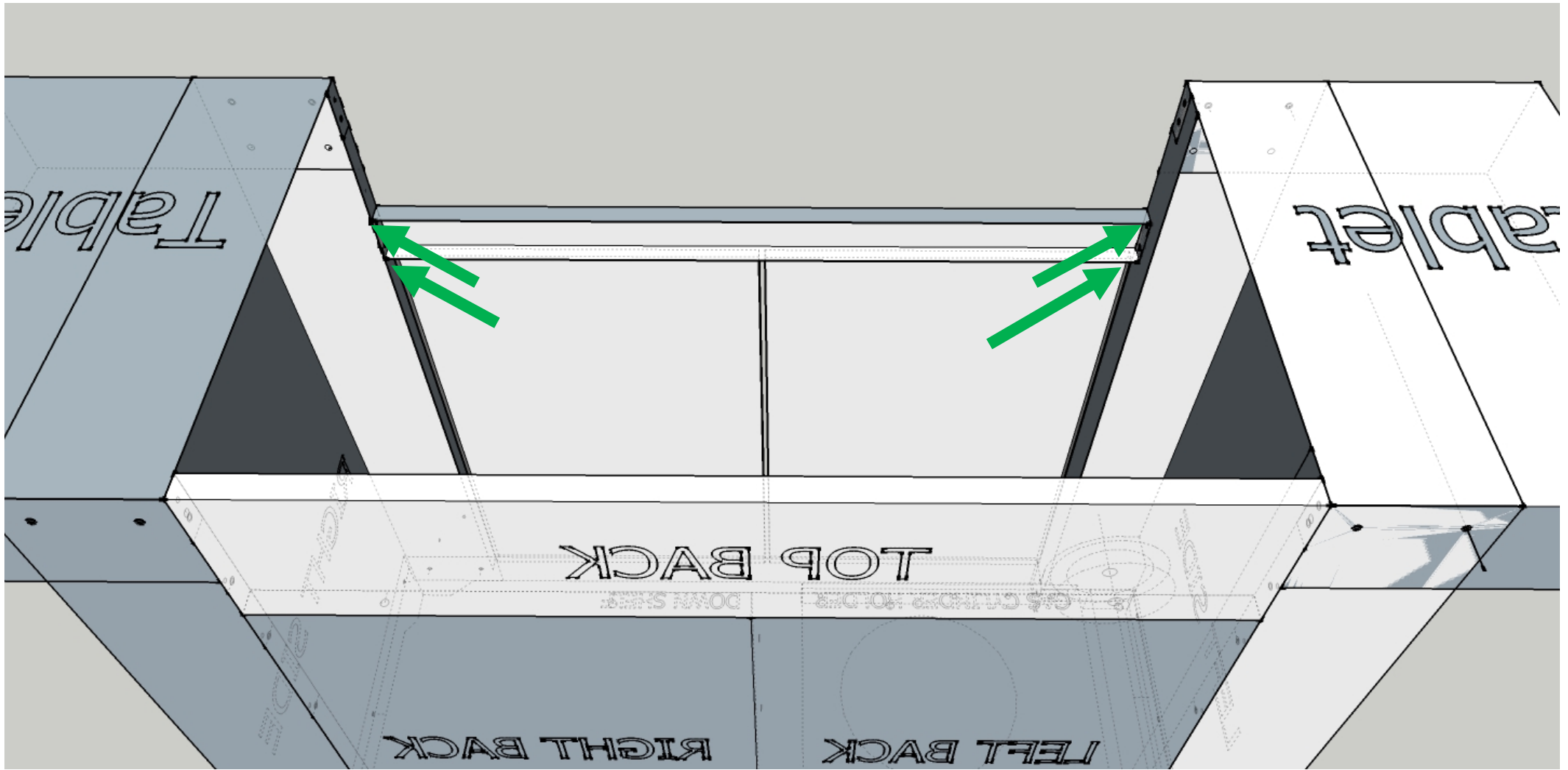


9-1 Put axis in down shelf and lintel holes

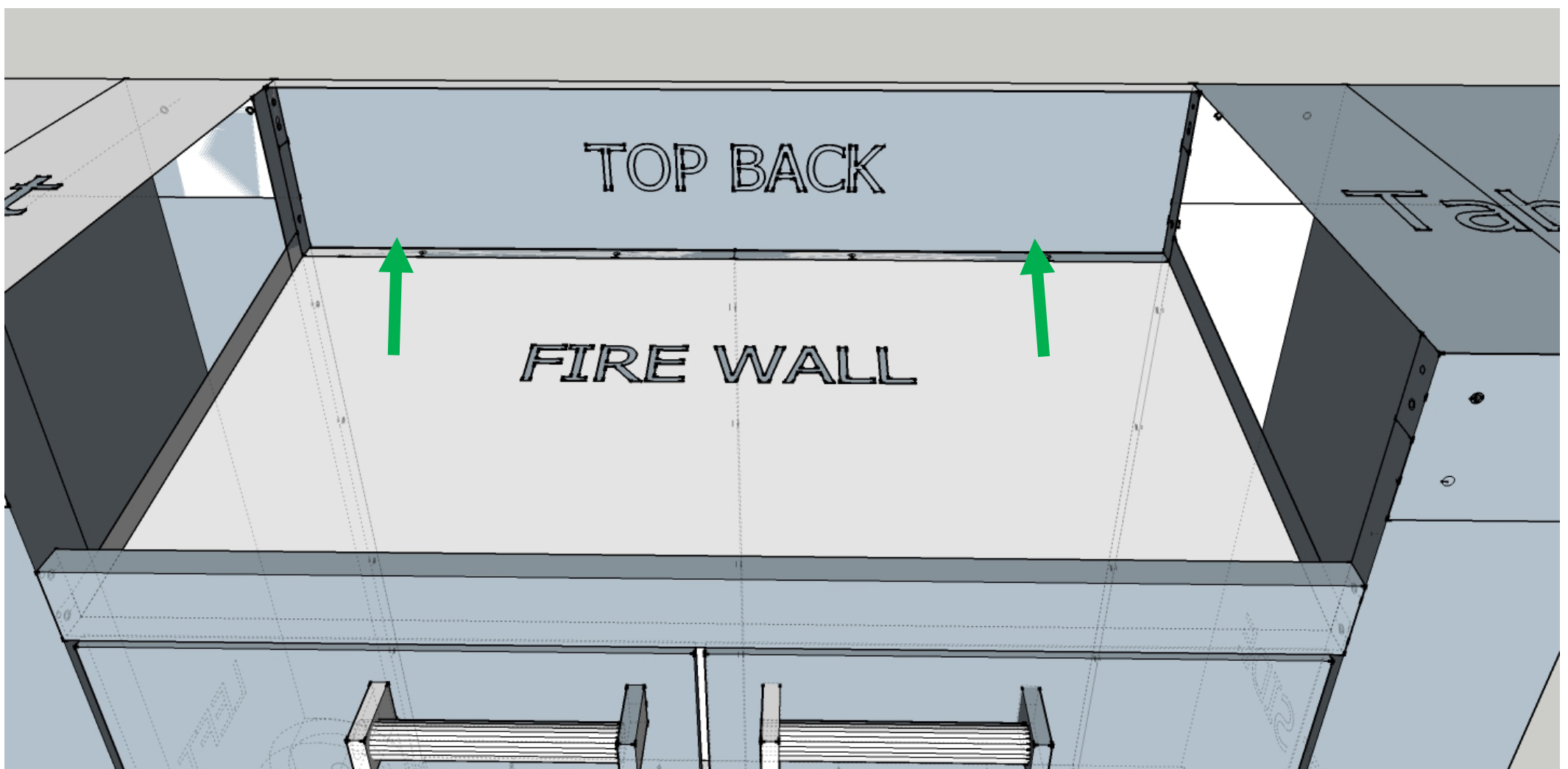


ADD AN 5 mm diameter washer

9-2 Fix the front lintel with the 2 top M4 screws



**10 FIRE WALL:** Fix the fire wall with the 2 M4 nuts





**11 HANDLES AND MAGNET BRACKET:** fix the handles on doors with 2x2 M4 screws, fix the Magnet Bracket with 2 M4 screw



Your LeGriddle CART is ready to use!  
Please do not hesitate to contact us should you have any suggestions at [contact@legriddle.com](mailto:contact@legriddle.com).