

# Broil King®

## BUILT-IN GAS GRILL

### OWNER'S MANUAL

ANSI Z21.58-2015 / CSA 1.6-2015



## CONTENTS

SAFETY .....2

INSTALLATION .....2

LPGAS CYLINDER.....10

HOSE & REGULATOR.....11

NATURAL GAS.....12

GAS SUPPLY HOSE .....12

LEAK TESTING.....13

VENTURI TUBES .....14

LIGHTING.....15

OPERATION.....16

COOKING TECHNIQUES.....17

MAINTENANCE .....20

TROUBLESHOOTING .....21

WARRANTY .....22

MANUEL DE L'UTILISATEUR .....23

MANUAL DEL USUARIO.....45

**NOTE TO INSTALLER: THESE INSTRUCTIONS MUST BE LEFT WITH THE CONSUMER. .**



#### DANGER

IF YOU SMELL GAS:

1. SHUT OFF GAS TO THE APPLIANCE
2. EXTINGUISH ANY OPEN FLAME
3. OPEN LID
4. IF ODOR CONTINUES, KEEP AWAY FROM THE APPLIANCE AND IMMEDIATELY CALL YOUR GAS SUPPLIER OR YOUR FIRE DEPARTMENT



#### WARNING

1. DO NOT STORE OR USE GASOLINE OR OTHER FLAMMABLE LIQUIDS OR VAPORS IN THE VICINITY OF THIS APPLIANCE
2. AN LP CYLINDER NOT CONNECTED FOR USE SHALL NOT BE STORED IN THE VICINITY OF THIS OR ANY OTHER APPLIANCE

#### PLEASE RECORD YOUR MODEL NUMBER, SERIAL NUMBER AND DATE OF PURCHASE HERE.

This information can be found on the black and silver OMC caution sticker located in the grease drawer of your gas grill.

Model Number					-				
Serial Number		-							
Date of Purchase		/		/					
		dd							yyyy

**READ ALL INSTRUCTIONS CAREFULLY BEFORE OPERATING YOUR GAS GRILL.  
RETAIN THESE INSTRUCTIONS FOR FUTURE REFERENCE.**



SINCE 1906  
**MANUFACTURING COMPANY**  
LIMITED  
585 KUMPF DRIVE  
WATERLOO, ONTARIO, CANADA  
N2V 1K3

EN

70094-40 REV A 08/17

# SAFETY

Your Broil King® built-in gas grill is a safe, convenient appliance when assembled, installed and used properly. As with all gas-fired products, however, certain safeguards must be observed. **Failure to follow these safeguards may result in serious injury or damage.** If you have questions concerning assembly, installation or operation, consult your dealer, gas appliance specialist, Gas Company or our direct customer service line at 1-800-265-2150 / info@omcbbq.com

## CAUTION

- **FOR OUTDOOR USE ONLY**
- **THIS APPLIANCE MUST NOT BE OPERATED UNATTENDED**
- **SPECIAL CARE MUST BE TAKEN TO KEEP SMALL CHILDREN AWAY FROM HEATED SURFACES**

Use caution when handling or transporting this product. Metal edges can be hazardous. Use appropriate gloves when lifting or handling.

## ELECTRICAL CAUTION

1. If any accessory is used on this appliance that requires an external electrical power source, the accessory when installed must be electrically grounded in accordance with local codes. In the absence of local codes, the following standards apply:

**(U.S.A.) ANSI/NFPA No. 70-Latest Edition and  
(Canada) CSA C22.1 Canadian Electrical Code**

2. Do not cut or remove the grounding prong from the plug.
3. Keep the electrical supply cord and fuel supply hose away from any heated surface.

## ⚠ WARNING

This product can expose you to chemicals including lead, which is known to the state of California to cause cancer, birth defects or other reproductive harm. **Wash your hands after handling this product.**

The burning of gas cooking fuel can expose you to chemicals including Carbon Monoxide, which is known to the state of California to cause cancer, birth defects or other reproductive harm. **To minimize exposure to these substances, always operate this unit according to the owner's manual, ensuring you provide good ventilation when cooking with gas.**

**FOR MORE INFORMATION GO TO  
WWW.P65WARNINGS.CA.GOV**

# INSTALLATION

1. In the U.S.A., this appliance must be installed in accordance with the local code and the relevant national code:

**ANSI Z223.1/NFPA 54 - Latest Edition National Fuel Gas Code and Latest Local Codes where Applicable**

2. In Canada, this appliance must be installed in accordance with the local code and the relevant CSA standards:

**CSA-B149.1 Natural Gas and Propane Installation Code**

3. **DO NOT** restrict the flow of air to the appliance.
4. Keep the area surrounding the appliance free of combustible materials, gasoline, and all flammable liquids and vapors.
5. This appliance is not intended to be installed in, or on, recreational vehicles and/or boats.

## CONFIGURATION OPTIONS

The built-in grill and all other accessory units should be on site before construction begins.

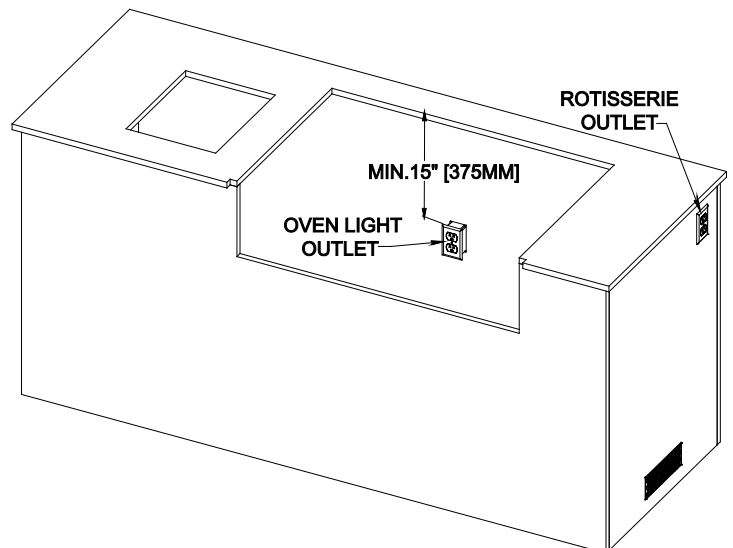
There are many options for designing your Outdoor Kitchen.

If the grill includes a Side Burner, remember to position the Side Burner to the left of the grill.

## ELECTRICAL OUTLETS

If a Rotisserie will be used, an electrical outlet for the Rotisserie should be positioned on the rear right side of the grill.

If internal lights are provided, a Ground Fault Interrupt (GFI) electrical outlet for the lights should be positioned inside the enclosure on the rear wall 15 inches (38cm) below the countertop.



# INSTALLATION

The installation should be done by a qualified professional.

## POSITIONING YOUR GAS GRILL

Ensure there is adequate ventilation for heat and smoke to dissipate.

### WHEN DETERMINING THE POSITION OF THE GRILL, GIVE THOUGHT TO:

- Exposure to wind
- Proximity to traffic
- Keeping gas lines and electrical connections as short as possible and away from heat sources

### LOCATE THE GRILL:

- To provide enough room to safely evacuate the area in the event of a fire
- In a well ventilated area

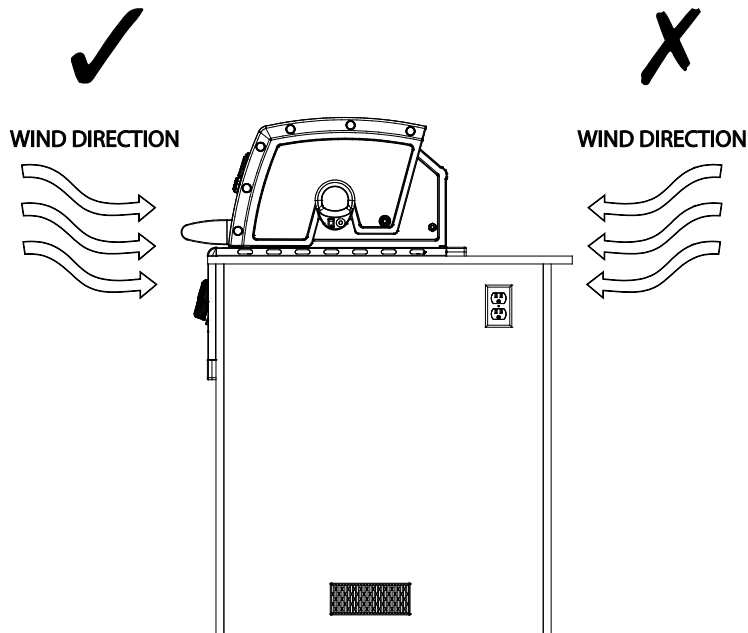
### NEVER LOCATE THE GRILL:

- In a garage, breezeway or shed, or any other enclosed area
- Under overhead unprotected combustible construction

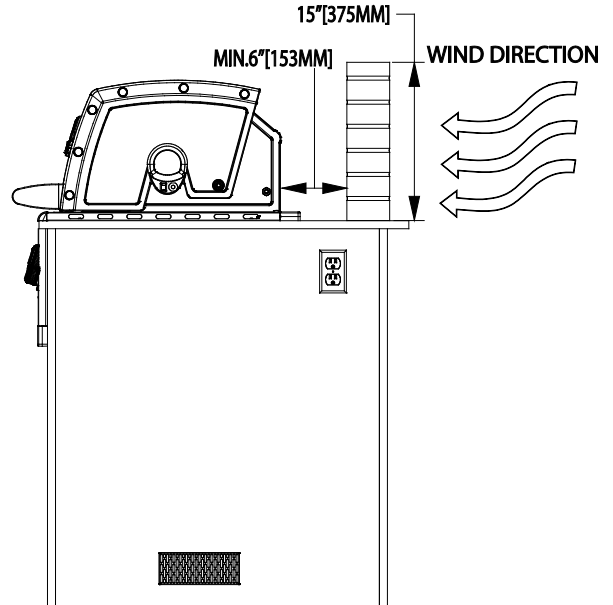
The grill is designed to take air in through the control panel area and send the exhaust products out through the exhaust gap at the rear of the hood.

If locating the grill in a windy area, locate the grill so the prevailing wind will blow air at the front of the grill. A light wind blowing at the front of the grill will:

- Assist the grill in venting hot air thru the back of the grill
- Assist in keeping smoke from blowing at someone who is cooking on the grill



If the grill is located where the prevailing wind is blowing at the rear of the grill, a windbreak will need to be installed. The windbreak should be constructed to prevent wind from entering the exhaust vent in the rear of the grill and comply with the clearances specified for combustible or non-combustible construction as outlined in these instructions.



**WARNING: Wind blowing in the back of the grill or along the exhaust vent can disrupt the proper flow of air through the grill, leading to reduced performance, or in certain cases, cause excess heat buildup in the control panel area. This can lead to a burn hazard if the control panel surface and knobs become too hot to touch.**

During high wind conditions, it is best not to use the grill. Damage to the grill resulting from use in windy conditions, such as melted knobs or igniter wires, or valve panel discoloration from heat build-up, are excluded from warranty coverage.

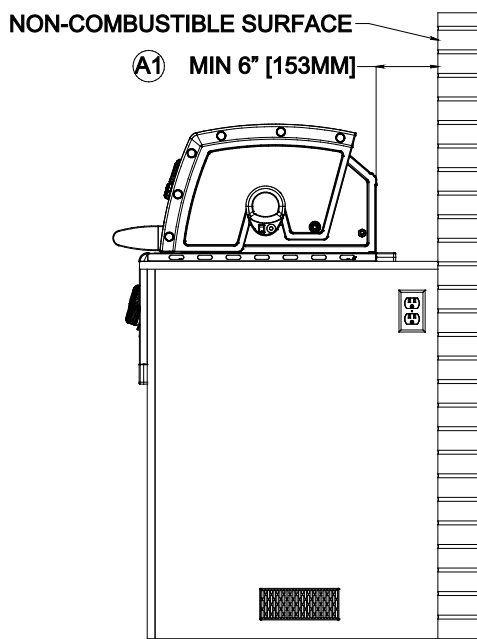
# INSTALLATION - CLEARANCES

## SIDE AND REAR WALL CLEARANCES

NOTE: Installation requires a non-combustible countertop surface. The countertop surface must be constructed from solid materials and must be level and smooth.

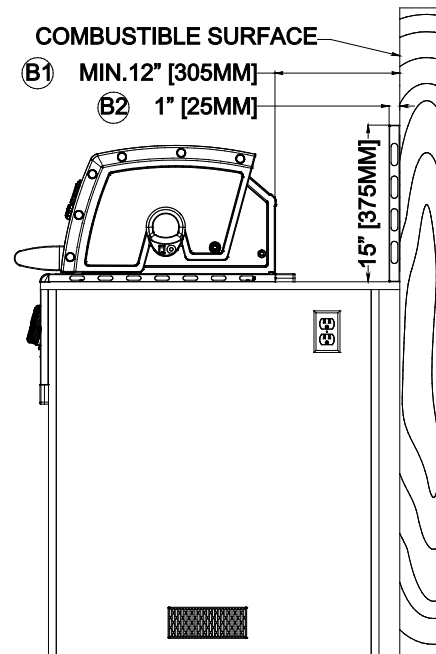
### A) Clearance between grill and non-combustible wall above the counter top surface

1. The grill must have a minimum of 6" [153mm] right, left and rear clearance from any non-combustible wall to allow for proper ventilation and space for lid to open completely.



### B) Clearance between grill and a protected combustible wall above the counter top surface

1. The grill must have a minimum of 12" [305mm] right, left, and rear clearance from the protected combustible wall.
2. A protected combustible wall has a 1" (25mm) ventilated space between a non-combustible surface and the combustible surface extending 15" (375mm) from the counter top surface.



## DEFINITION OF COMBUSTIBLE MATERIAL

Any building structure or decorative structure made of wood, compressed paper, plant fibers, vinyl/plastic or other materials that are capable of transferring heat or being ignited and burned. Such material shall be considered combustible even though flame-proofed, fire-retardant treated or surface-painted, or plastered.

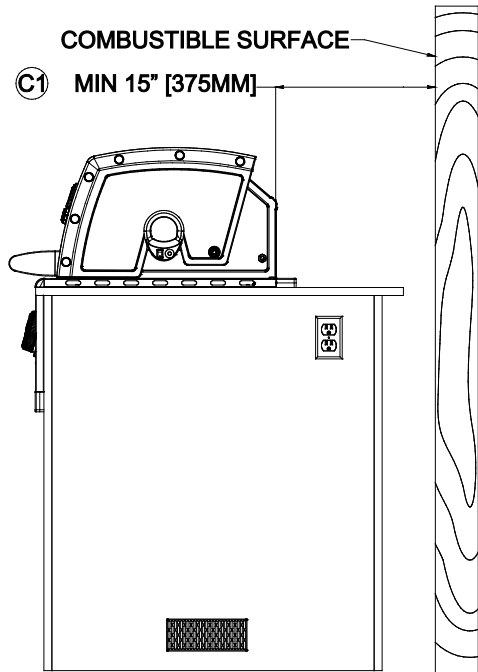
## DEFINITION OF NON-COMBUSTIBLE MATERIAL

Material which is not capable of being ignited and burned, such as materials consisting entirely of, or a combination of, steel, iron, brick tile, concrete, slate, and plaster.

# INSTALLATION - CLEARANCES

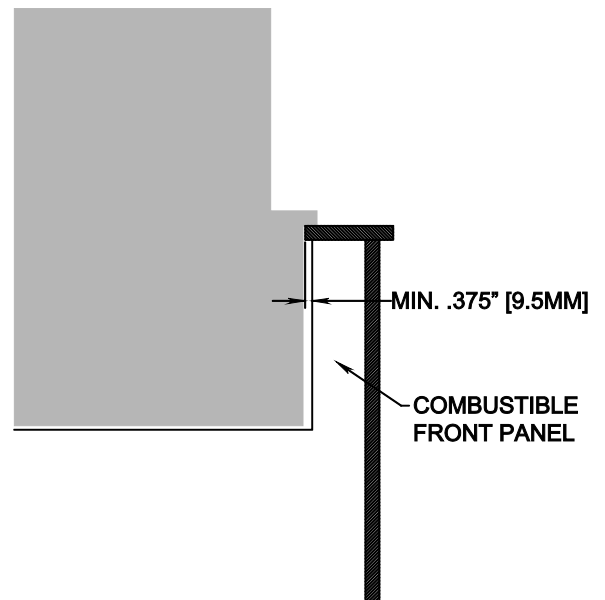
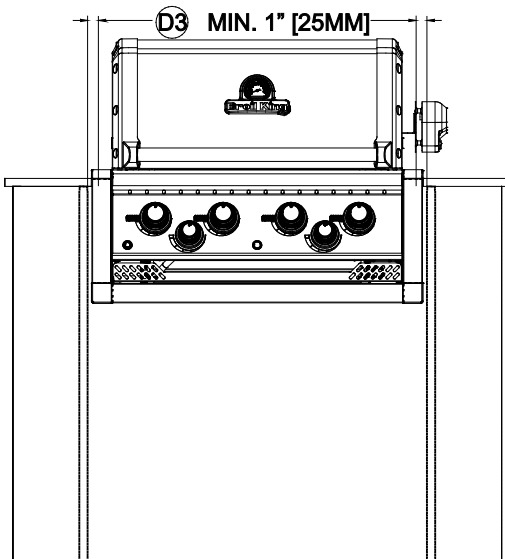
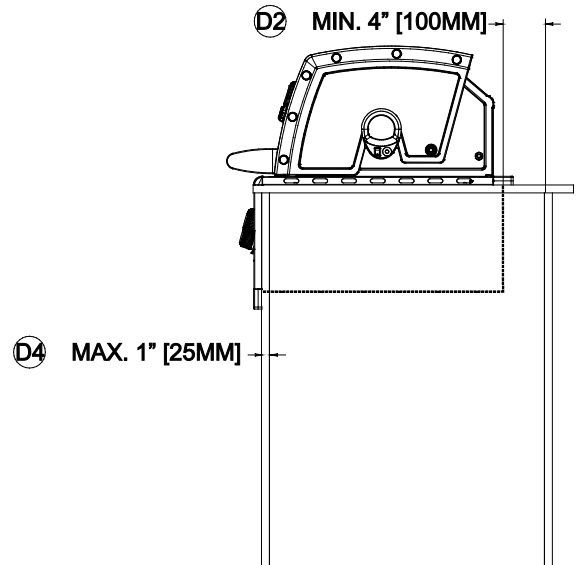
## C) Clearance between grill and combustible wall above the counter top surface

1. The grill must have a minimum of 15" [375mm] right, left, and rear clearance from any combustible wall above the non-combustible counter top surface.



## D) Clearance between the grill and combustible or non-combustible construction below the counter top surface.

1. "0" clearance is required below the counter top to non-combustible construction.
2. 4" (100) mm clearance is required below the countertop to combustible construction to the rear.
3. 1" (25) mm clearance is required below the countertop to combustible construction to the left and right sides.
4. 3/8" (9.5mm) clearance is required below the countertop to a combustible front wall of the enclosure provided the front wall of the enclosure is less than 1" (25) mm thick.



# INSTALLATION - CLEARANCES

**WARNING:** Do not install or use the grill under unprotected combustible construction without a fire safe ventilation system.

## OVERHEAD CONSTRUCTION AND EXHAUST HOOD REQUIREMENTS

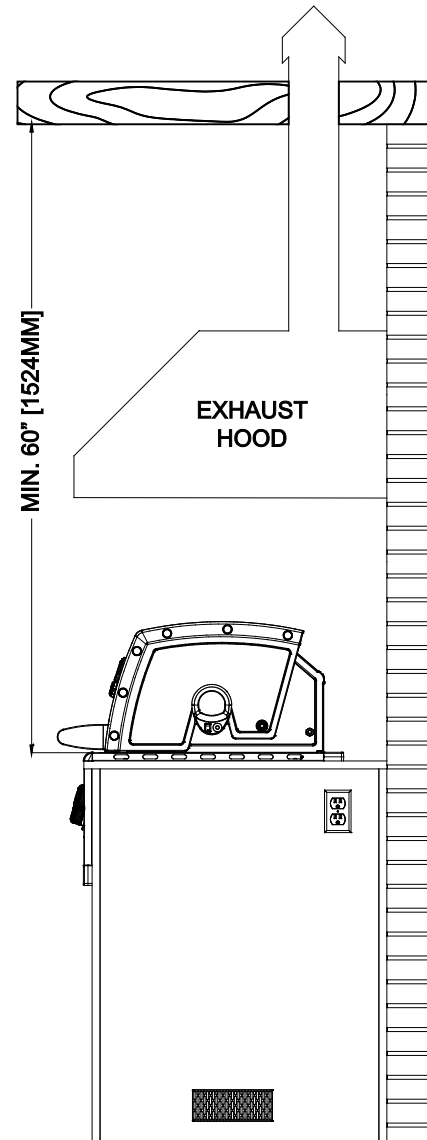
A minimum 60" [1524mm] clearance is required between the grilling surface and the overhead construction.

When installed under combustible overhead construction, the area above the cooking surface of the grill must be covered with an exhaust hood. The exhaust hood provides the protection for the combustible overhead construction.

When installed under overhead non-combustible construction, an exhaust hood is highly recommended.

## EXHAUST HOOD

When using an exhaust hood, the area above the cooking surface of the grill must be covered with a hood larger than the cooking area of the grill, and with a minimum of 1200CFM (cubic feet per minute) for proper outdoor application.



# INSTALLATION - ENCLOSURES

## ENCLOSURES FOR THE GRILL AND LP GAS CYLINDER

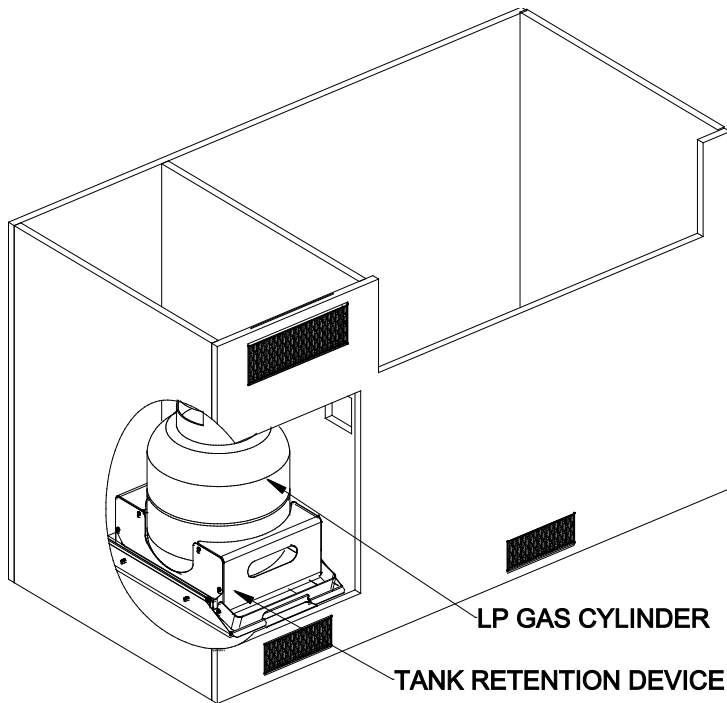
Grill and LP Gas Cylinder enclosures must meet the requirements for venting, cylinder retention, and separation of the LP gas cylinder from a heat source as outlined in the **ANSI Standard for Outdoor Cooking Gas Appliances, Z21.58/CSA 1.6 for LP enclosures.**

There are 2 types of enclosures:

1. Grill enclosure without an LP gas cylinder.
2. Grill enclosure with an LP gas cylinder.

**WARNING: Do not store a spare cylinder in an enclosure.**

Enclosures for LP gas cylinders must be fitted with a cylinder retention device. A Broil King® cylinder retention device is available from your dealer.

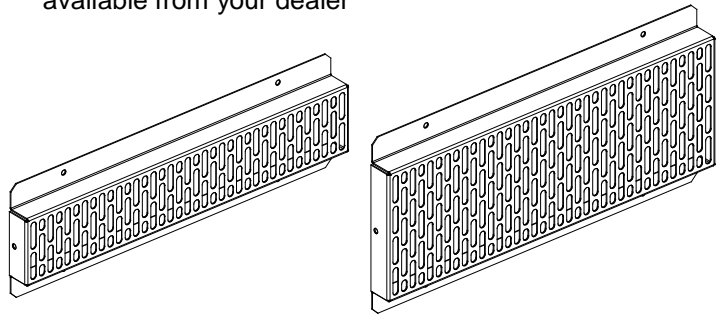


**WARNING: Vents are required in the enclosures to provide ventilation in the event of a gas leak.**

Ventilation reduces moisture and provides cooling in the enclosures.

Note: The drawings are for reference only.

- Each vent shall have minimum openings to allow the entrance of a 1/8" (3.2mm) diameter rod
- Make sure the vents are not blocked by interior supports.
- Keep vents clean and clear of obstructions
- Vent(s) can be located in low visibility areas and should be protected by screens to prevent rodents and insects from entering the enclosure
- Vents that provide a minimum free area of 10 square inches (65 square cm) and vents that provide a minimum free area of 20 square inches (130 square cm) are available from your dealer



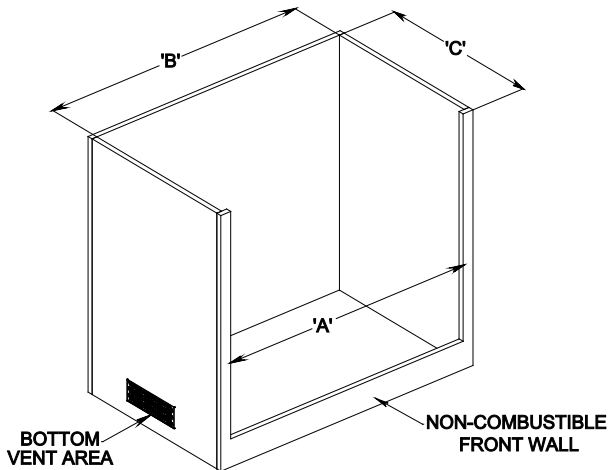
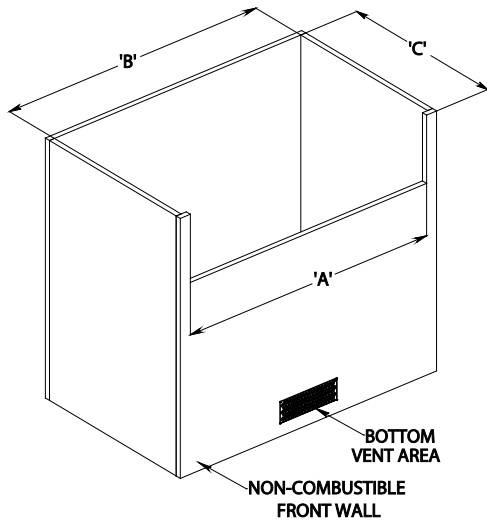
- Gas supply shut off valves must be readily accessible for hand operation
- A door on the enclosure to gain access to the cylinder valve is acceptable provided it is non-locking and can be opened without the use of tools
- A minimum clearance of 2 inches (51mm) is required between the floor of an lp gas cylinder enclosure and the ground
- If a gas leak should occur or the lp gas cylinder should vent in the lp gas cylinder enclosure, the gas should not be allowed to vent or migrate into empty or "hollow" areas of the enclosure

**WARNING: Ventilation openings should only communicate with the outside of the enclosure, so that the gas can dissipate outside of the enclosure.**

# INSTALLATION - ENCLOSURES

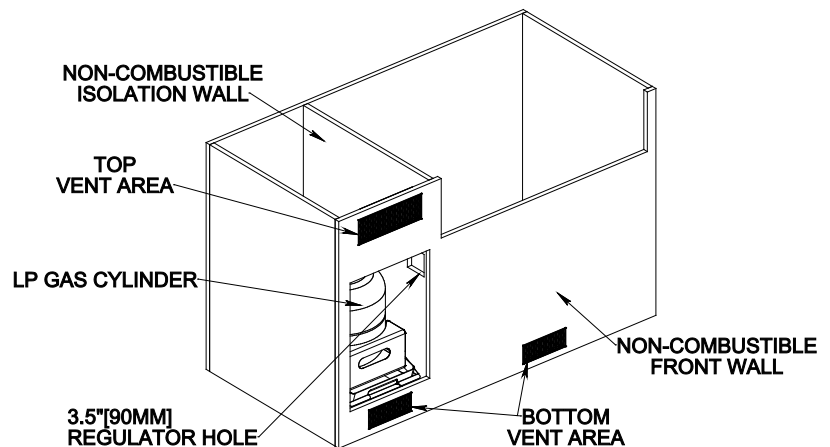
## GRILL ENCLOSURE WITHOUT AN LP GAS CYLINDER

- Ventilation totaling a minimum free area of 10 square inches (65 square cm) is provided at the top of the grill through the side trim and rear trim of the grill
- Ventilation totaling a minimum free area of 5 square inches (13 square cm) is provided at the bottom of the grill through the bottom trim of the grill
- Ventilation totaling a minimum free area of 10 square inches (33 square cm) is required at the bottom of the enclosure
- Position the bottom edge of vent 1" (25mm) or less from the floor level and within 5" (127mm) of the bottom of the enclosure
- Be careful not to obstruct these vents



## GRILL ENCLOSURE WITH AN LP GAS CYLINDER

- A remote LP gas cylinder enclosure is required for installations that use an LP gas cylinder
- Construct enclosure with four sides, a top and a bottom with minimum inside dimensions of:
  - height – 20" (50cm)
  - width – 15" (38.5cm)
  - depth – 14" (36cm)
- Enclosure must not allow space for a spare tank to be stored inside the enclosure
- Ventilation totaling a minimum free area of 20 square inches (130 square cm) is required at the top on the exposed exterior wall of the enclosure. (As per ANSI Standard Z21.58/CSA 1.6)
- Ventilation totaling a minimum free area of 10 square inches (65 square cm) is required at the bottom on the exposed exterior wall of the enclosure. (As per ANSI Standard Z21.58/CSA 1.6)
- Position the top vent(s) within 5" (127mm) of the top of the enclosure
- Position the bottom vent 1" (25mm) or less from the floor level and within 5" (127mm) of the bottom of the enclosure
- The remote LP gas cylinder enclosure must isolate the LP gas cylinder from the burner compartment, so that it provides shielding from radiation, be a flame barrier and provide protection from foreign material such as hot drippings



GRILL ENCLOSURE DIMENSIONS				
		420 / 490	590	XL
A	MIN	30 5/16" [770mm]	36 11/16" [932mm]	44" [1118mm]
	MAX	30 15/32" [774mm]	36 27/32" [936mm]	44 5/32" [1122mm]
B	MIN	31 3/8" [797mm]	37 3/4" [959mm]	45 1/8" [1146mm]
C	MIN	27" [686mm] with surface mount GFCI receptacle		

### DANGER

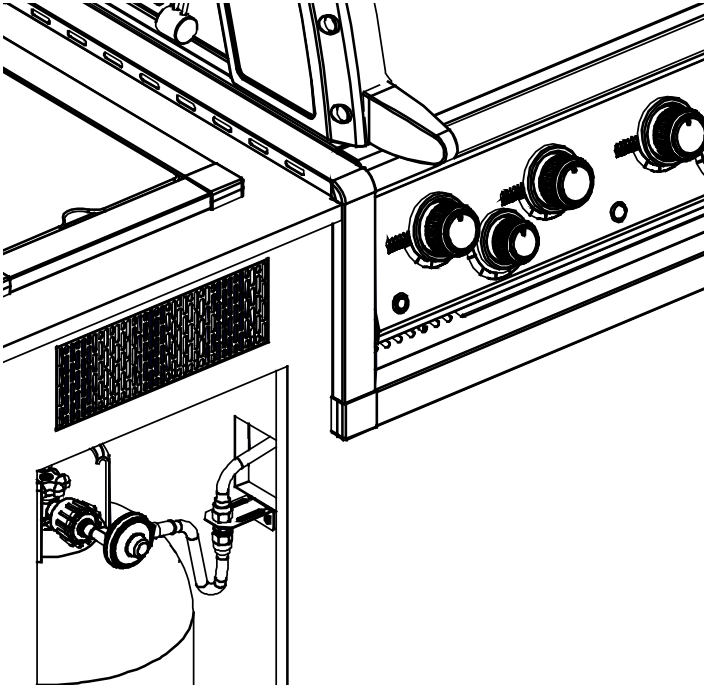
Failure to build a remote LP gas cylinder enclosure for a single 20 lb. LP gas cylinder only, following the requirements for ventilation, cylinder retention and separation of the LP gas cylinder from a heat source, listed in the ANSI Standard for Outdoor Cooking Gas Appliances, Z21.58/CSA 1.6, could be dangerous, and result in a fire or an explosion causing serious bodily injury or death and damage to property.



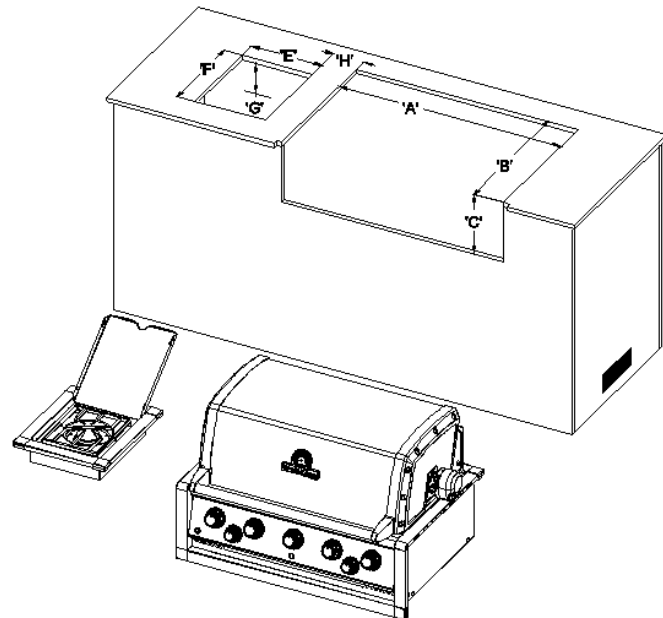
# INSTALLATION – CUT OUT DIMENSIONS

## SPECIFICATION FOR CONNECTING TO A 20 lb. LP GAS CYLINDER

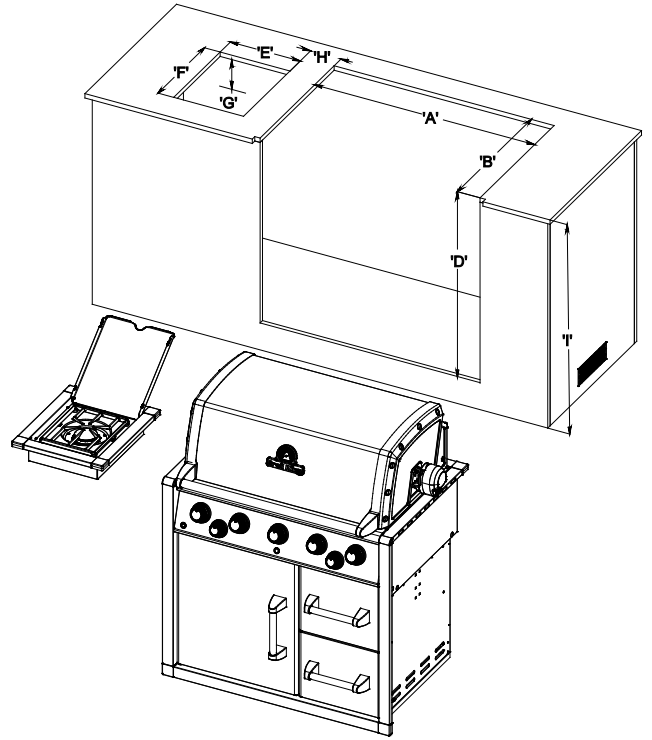
- A 14" (356 mm) corrugated hose with a 3/8" SAE 45 degree fitting is connected to the manifold of the grill
- Do not use pipe sealant on the 3/8" SAE 45 degree fitting
- The 3/8" SAE 45 degree fitting must be firmly attached to rigid permanent construction
- If you choose to use a corrugated gas hose other than the one supplied, the connector must comply with the Standard for Connectors for Gas Appliances, ANSI Z21.24 • CSA 6.10



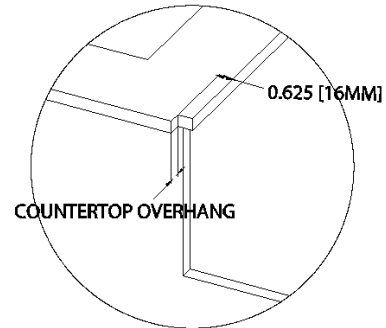
## COUNTERTOP CUT OUT DIMENSIONS – BUILT-IN



## COUNTERTOP CUT OUT DIMENSIONS – BUILT-IN WITH CABINET



## COUNTERTOP NOTCH DETAIL



## ISLAND CUTOUT DIMENSIONS

	490	590	XL
A	MIN. 29 <sup>7</sup> / <sub>8</sub> " [758mm] MAX. 30 <sup>1</sup> / <sub>8</sub> " [765mm]	MIN. 36 <sup>1</sup> / <sub>4</sub> " [920mm] MAX. 36 <sup>1</sup> / <sub>2</sub> " [927mm]	MIN. 43 <sup>5</sup> / <sub>8</sub> " [1108mm] MAX. 43 <sup>7</sup> / <sub>8</sub> " [1115mm]
B	MIN. 23 <sup>1</sup> / <sub>8</sub> " [590mm] – MAX. 23 <sup>3</sup> / <sub>8</sub> " [595mm]		
C	MIN. 10 <sup>29</sup> / <sub>32</sub> " [280mm] – MAX. 11 <sup>1</sup> / <sub>8</sub> " [285mm]		
D	MIN. 31 <sup>1</sup> / <sub>2</sub> " [800mm] – MAX. 31 <sup>3</sup> / <sub>4</sub> " [810mm]		
E	MIN. 11 <sup>1</sup> / <sub>2</sub> " [290mm] – MAX. 11 <sup>3</sup> / <sub>4</sub> " [300mm]		
F	MIN. 14 <sup>1</sup> / <sub>2</sub> " [370mm] – MAX. 14 <sup>3</sup> / <sub>4</sub> " [375mm]		
G	MINIMUM 4 <sup>1</sup> / <sub>2</sub> " [115mm]		
H	MINIMUM 3" [75mm] – MAXIMUM 7" [180mm]		
I	MINIMUM 34" [865mm]		

# LP GAS CYLINDER

The standard for outdoor gas appliances, ANSI Z21.58/ CAN/CGA-1.6, requires that LP gas cylinders used with LP gas appliances be equipped with both

- An Overfill Prevention Device (OPD)
- A QCC®-1 Quick Closing Coupling system

## OVERFILL PREVENTION DEVICE

The OPD is designed to reduce the potential of over filling propane cylinders, thus reducing the possibility of relief valve discharges of raw propane. **The OPD causes a slower purge/fill operation.**

## QCC®-1 QUICK CLOSING COUPLING

The QCC®-1 system incorporates safety features required by the American National Standards Institute (ANSI) and the Canadian Standards Association (CSA).

- Gas will not flow until a positive connection has been made
- A thermal element will shut off the flow of gas between 240° and 300° F
- When activated, a Flow Limiting Device will limit the flow of gas to 10 cubic feet / hour

**The LP gas cylinder is not included with the Gas Grill.** Be sure to use an LP gas cylinder equipped with the OPD and the QCC® valve.

## IDENTIFICATION

The QCC®-1 valve is recognized by the external threads on the inlet port of the LP gas cylinder valve.

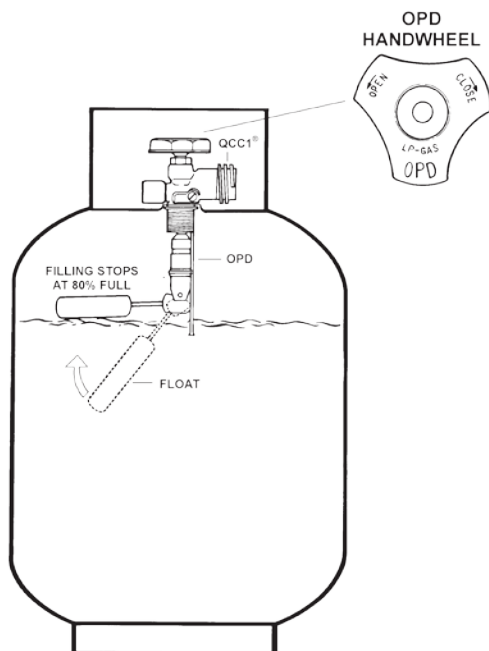
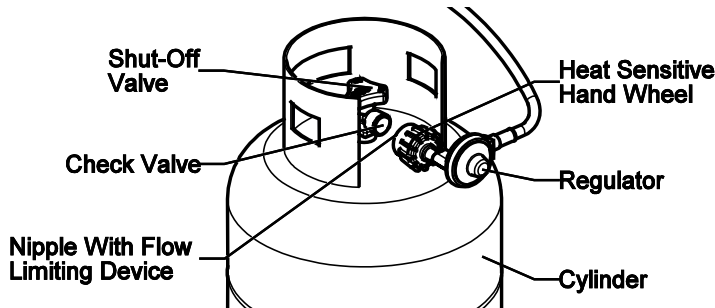
The OPD hand wheel has been standardized to the shape shown.

QCC®/OPD equipped LP gas cylinders are available from your Gas Grill Dealer.

**NOTE: Any attempt to connect the regulator, by use of adapters or any other means, to any other valve could result in damage, fire or injury and may negate the important safety features in the QCC®-1 system.**

## SPECIFICATION

1. All LP gas cylinders used with this appliance must be constructed and marked in accordance with the Specifications for LP gas cylinders of the U.S. Department of Transportation (D.O.T.) or the National Standard of Canada, CAN/CSA-B339, Cylinders, Spheres and Tubes for Transportation of Dangerous Goods ; and Commission, as applicable.
2. The LP gas cylinder used for this appliance must not have a capacity exceeding 20 lb. (9 kg). Approximately 18" (46cm) high and 12" (31cm) diameter.
3. All LP gas cylinders used with this appliance should be inspected at every filling and re qualified by a licensed service outlet at the expiry date (10 years), in accordance with the DOT (USA) and Canadian Transport Commission (Canada) codes for LP Gas Cylinders.
4. All LP gas cylinders used with this appliance must be provided with a shutoff valve terminating in a cylinder valve outlet No. 510, specified in the Standard for Compressed Gas Cylinder Valve Outlet and Inlet Connection (USA) ANSI/CGA-V-1-1977 (Canada) CSA B96.
5. The LP gas cylinder supply system must be arranged for vapor withdrawal.
6. The LP gas cylinder must include a collar to protect the cylinder valve.
7. The LP gas cylinder must be installed as per assembly instructions.
8. Never fill the LP gas cylinder beyond 80% full. A fire causing death or serious injury may occur.
9. The LP gas cylinder valve must include a safety relief device having direct communication with the vapor space of the cylinder.



# LP GAS CYLINDER

## HANDLING

1. Government regulations prohibit shipping full LP gas cylinders. You must take your new cylinder to a LP gas dealer for filling.
2. A filled LP gas cylinder is under very high pressure. Always handle carefully and transport in the upright position. Protect the valve from accidental damage.
3. Do not tip the LP gas cylinder while connecting it to the regulator. Fasten the LP gas cylinder securely during transport, use and storage.
4. If the LP gas cylinder is tipped after it is connected to the regulator, shut off the gas, disconnect the regulator and have it checked before using it again.

## STORAGE

1. Store the LP gas cylinder outdoors in a well-ventilated place.
2. Do not store the LP gas cylinder in direct sunlight, near a source of heat or combustion.
3. Do not store a spare LP gas cylinder in an enclosure. Disconnected cylinders must have a dust cap installed and must not be stored in a building, garage or any enclosed area.
4. Keep out of the reach of children.
5. When the LP gas cylinder is connected to the gas grill, the gas grill and LP gas cylinder must be operated outside in a properly ventilated place.

## OPERATION

1. Never connect your gas grill to an LP gas cylinder without the regulator provided, and **NEVER TO AN UNREGULATED LP GAS SUPPLY**. The regulator supplied with the barbecue must be used.
2. **Always** leak test the LP gas cylinder to regulator connection when connecting the LP gas cylinder to the appliance. See "Leak Testing" (page 13).
3. **Do not** operate appliance if the smell of LP gas is present. Extinguish all flame and determine source of LP gas leak before proceeding. **Do not** ignite the appliance until the LP gas leak has been found and sealed.
4. **Always** shut off LP gas cylinder valve when the appliance is not in use.

# HOSE & REGULATOR

1. LP gas grills are equipped with a hose and regulator with a QCC®-1 Quick Closing Coupling.
2. The QCC®-1 coupling contains a magnetic Flow Limiting Device which will limit the flow of gas should there be a leak between the regulator and the appliance valve. This device will activate if the cylinder valve is opened while the appliance valves are open. **Be sure the appliance valves are off before the cylinder valve is opened to prevent accidental activation.**
3. The QCC®-1 coupling incorporates a heat sensitive hand wheel that will cause the back check module in the QCC®-1 cylinder valve to close when exposed to temperatures between 240° and 300°F. Should this occur, do not attempt to reconnect the hand wheel. Remove hose/regulator assembly and replace with a new one.
4. The pressure regulator is set at 11 inches WC (water column) and is for use with LP gas only. The hose and hose couplings comply with CGA Standard CAN 1.83. No modifications or substitutions should be attempted.
5. Protect the hose from dripping grease and **do not allow the hose to touch any hot surface**, including the base casting of the barbecue.
6. Inspect the seal in the QCC®-1 cylinder valve when replacing the LP gas cylinder or once per year whichever is more frequent. Replace the seal if there is any indication of cracks, creases, or abrasion.
7. Inspect the hose before each use. If the hose is cracked, cut, abraded or damaged in any way, the appliance must not be operated.
8. For repair or replacement of the hose/regulator assembly, contact customer service.

## CONNECTION

1. Be sure LP gas cylinder valve and appliance valves are "OFF."
2. Place full LP gas cylinder in LP gas cylinder well and secure as per assembly instructions.
3. Center the nipple in the LP gas cylinder valve and hold in place. Using other hand, turn the hand wheel clockwise until there is a positive stop. **Do not use tools. Hand tighten only. When making the connection, hold the regulator in a parallel with the LP gas cylinder valve, so as not to cross thread the connection.**
4. Leak test connections. See "Leak Testing" (Pages 13).
5. Refer to lighting instructions. **To avoid activating the Flow Limiting Device when lighting, open LP gas cylinder valve slowly with the appliance valves off.** If the Flow Limiting Device is accidentally activated, turn off LP gas cylinder valve and appliance valves, wait 10 seconds to allow the device to reset, open the LP gas cylinder valve slowly, then open the appliance valve.

## DISCONNECTION

Always close LP gas cylinder valve and remove coupling nut before moving LP gas cylinder from specified operation position.

# INSTALLATION – FIXED PIPE LP OR NATURAL GAS LINE

## GAS LINE LOCATION

LP Gas and Natural Gas supply lines should be installed by a qualified professional.

**Note:** Provide access in the enclosure for gas supply and regulator service.

**Note:** Area should be kept clear of sharp or abrasive surfaces to avoid damage to gas supply lines. Exercise caution when pulling gas lines through the built-in enclosure.

## SPECIFICATIONS FOR PIPING

- Installation must use rigid pipe, semi-rigid tubing, or a connector complying with the Standard for Connectors for Outdoor Gas Appliances and Manufactured Homes, ANSI Z21.75•CSA 6.27 and suitable for outside installation
- The gas connections must be firmly attached to rigid, permanent construction
- A 3/8 inch SAE 45 degree flare connection has been provided. Do not use pipe sealant on this connection
- A manual shut-off valve must be installed outdoors, and be accessible from outside of the built in enclosure.
- For bulk propane and natural gas, an additional indoor manual shut-off valve should be installed in the branch fuel line in an accessible location near the supply line

## CONNECTION TO A REMOTE SELF CONTAINED LP GAS SUPPLY

- LP gas grills are designed to operate at a regulated pressure of 11 inches water column
- **An in line LP pressure regulator suitable for bulk propane installations is required to maintain 11 inches water column pressure. (not supplied)**
- The gas supply connection from the grill manifold to the gas supply bulkhead must not exceed 72" (182cm)
- When the grill is not in use, turn off the LP gas supply at the shut off valve

## CONNECTION TO NATURAL GAS SUPPLY

- If grill is designed for use with natural gas, do not use with liquid propane (bottled gas). The valves, orifices, and hoses are for natural gas only
- Natural Gas Grills are designed to operate at a regulated pressure of 7 inches water column
- The gas supply hose from the grill manifold to the gas supply bulkhead must not exceed 120" (305cm)
- The gas must be turned off at the natural gas supply when the barbecue is not in use
- When the grill is not in use, turn off the natural gas supply at the shut off valve

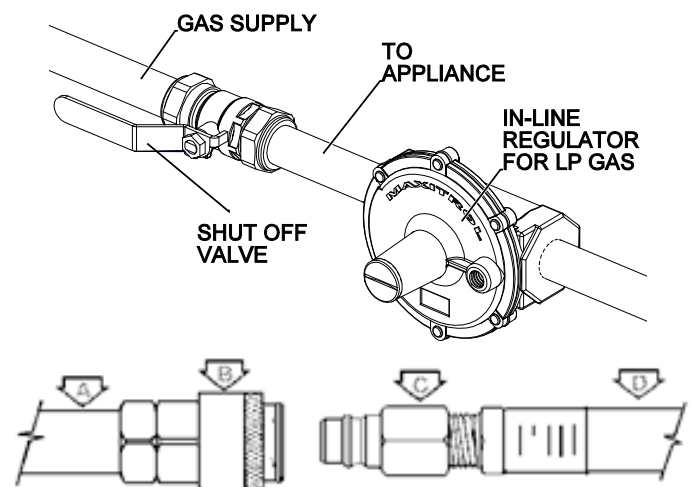
## GAS SUPPLY TESTING

- The outdoor gas grill and its individual shutoff valve must be disconnected from the gas supply piping system during any pressure testing of that system at test pressures in excess of 1/2 psig (3.5kPa)
- The outdoor gas grill must be isolated from the gas supply piping system by closing its individual manual shut off valve during any pressure testing of the gas supply piping system at test pressures equal to or less than 1/2 psig (3.5kPa)

## GAS SUPPLY HOSE

- On models supplied with an extension hose, the hose assembly is specifically designed for your model. No modifications or additions should be attempted. Hose and hose couplings comply with CGA Standard CAN 1.83
- On models equipped with the "quick disconnect" coupling, close "shut off valve" before disconnecting coupling
- "Quick disconnect" coupling must be kept clean and free of dirt and debris
- Protect the hose from dripping grease and do not allow the hose to touch any hot surface, including the base casting of the barbecue
- Inspect the hose at least once per year. If the hose is cracked, cut, abraded or damaged, the appliance must not be used
- For replacement of hose assembly, contact your dealer or approved service center

### SHUT-OFF VALVE OPEN POSITION



- A. GAS SUPPLY PIPING
- B. QUICK DISCONNECT COUPLING
- C. ADAPTER FITTING
- D. EXTENSION HOSE ASSEMBLY

# LEAK TESTING

All factory-made connections have been carefully tested for gas leaks. However, shipping and handling may have loosened a gas fitting.

## AS A SAFETY PRECAUTION:

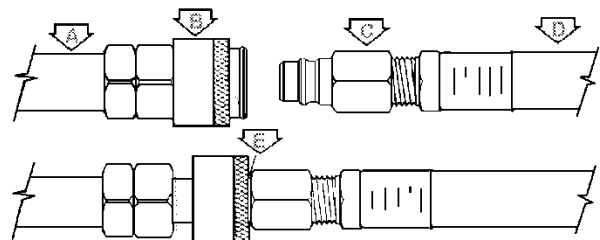
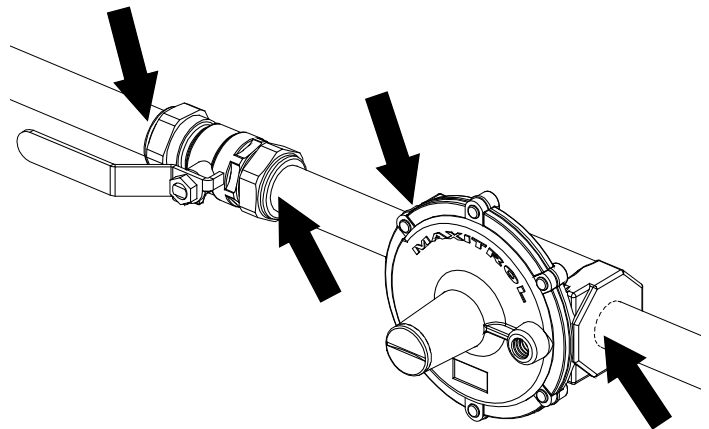
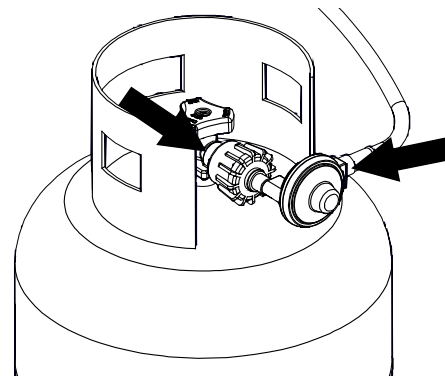
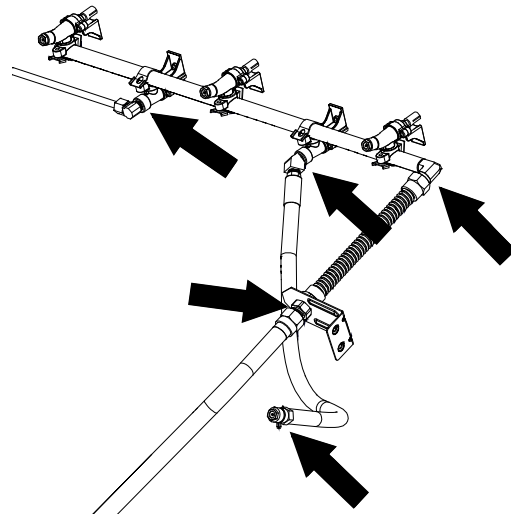
- Test all fittings for leaks before using your gas grill
- Test for leaks every time you disconnect and reconnect a gas fitting, at least once per year or after any period of nonuse
- Do not smoke while testing
- Never test for leaks with a lit match or open flame.
- Test for leaks outdoors

## TO TEST FOR LEAKS:

1. Prepare a soap solution of one part water, one part liquid detergent.
2. Extinguish any open flame or cigarettes in the area.
3. Make sure that gas grill valves are "OFF."
4. Make sure that cylinder valve or the gas supply valve is "OFF."
5. With a full gas cylinder, open cylinder valve slowly. Or open gas supply valve.
6. Brush the soap solution on each connection.
7. A leak is identified by a flow of bubbles from the area of the leak.
8. If a leak is detected, close the gas cylinder valve or the gas supply valve, tighten the connection and retest.
9. If the leak persists, contact your gas grill dealer for assistance. Do not attempt to operate appliance if a leak is present.

## If your gas grill is equipped with a side burner or rear burner:

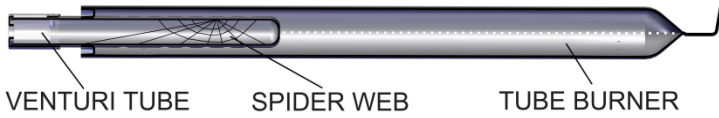
1. Follow steps 1 - 5 above
2. Place fingertip over the opening in the orifice at the end of hose.
3. Turn "SIDE"/"REAR" control to "HIGH."
4. Brush soap solution on each connection between orifice and control valve.
5. Turn "SIDE"/"REAR" control to "OFF".



- A. GAS SUPPLY PIPING
- B. QUICK DISCONNECT COUPLING
- C. ADAPTER FITTING
- D. EXTENSION HOSE ASSEMBLY
- E. LEAK TEST HERE

# VENTURI TUBES

- Always keep venturi tubes clean
- Blockages in the venturi tubes caused by spiders, insects and nests can cause a flashback fire
- Although the gas grill may still light, the backed up gas can ignite and cause a fire around the venturi tubes at the control panel or the side burner



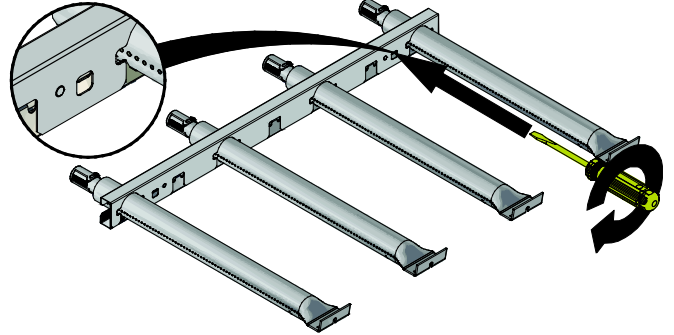
**If a flashback fire occurs, turn off gas at the source immediately**

**Inspect and clean the venturi tubes (main burner, side burner, rear burner) if any of the following symptoms occur:**

1. You smell gas.
2. Your gas grill does not reach temperature.
3. Your gas grill heats unevenly.
4. The burners make popping noises.

## INSPECTING & CLEANING VENTURI TUBES

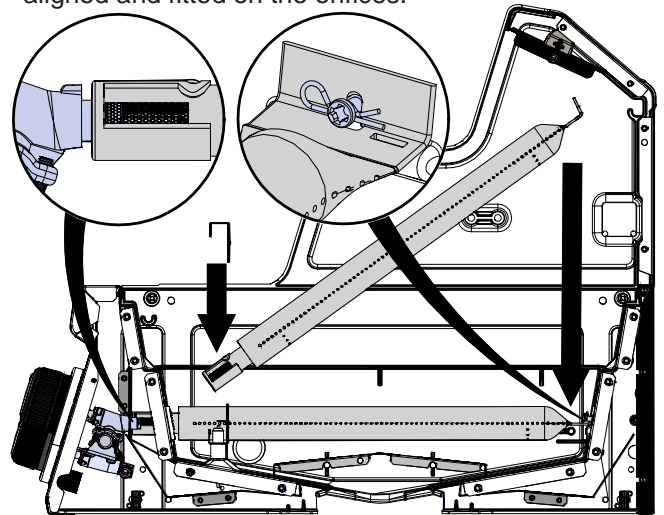
1. Be sure that cylinder valve or the gas supply valve is "OFF".
2. When gas grill is cool, remove the burner fasteners and the top portion of the collector box. Proceed to lift the burners from the gas grill housing.



3. Clean the venturi tubes with a pipe cleaner or venturi cleaning tool (Accessory #77310 or #18270).



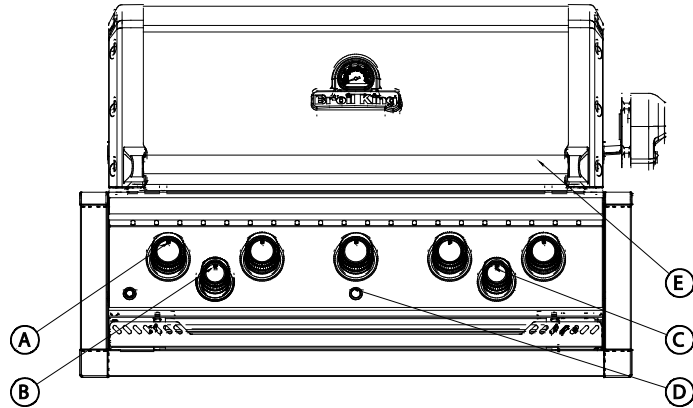
4. Lower the burner into position in the gas grill housing, making sure that the venturi tubes are correctly aligned and fitted on the orifices.



5. Secure burners with burner fasteners. Snap top portion of collector box back in place

# LIGHTING

## BASIC GAS GRILL COMPONENTS



- A. Main burner controls  
B. Side burner control  
C. Rear burner control  
D. Ignitor  
E. Handle

## LIGHTING INSTRUCTIONS

- The grill must be assembled and installed as per the assembly and installation instructions
  - Ensure the grill is properly connected to the LP or Natural Gas supply. See: "Hose and Regulator." (Page 11)
  - Ensure there are no gas leaks in the gas supply system. See: "Leak Testing." (Pages 13)
  - Ensure that the venturi tubes are properly located over the gas valve orifices. See Venturi diagram, (Page 14)
  - Ensure that Main Burner, Side Burner and Rear Burner ignition wires are connected
  - Check that the battery has been installed in the electronic ignition
  - Carefully review all instructions on the information plate attached to the gas grill
1. **Open lid before lighting**
  2. **Do not lean over gas grill while lighting.**
  3. Set control knobs to "OFF" and turn on the gas supply.

## LIGHTING THE MAIN BURNER:

### To light burner with the ignitor:

4. Push and turn one main burner control knob to "HIGH."
5. Push and hold down the ignitor.
6. Burner should ignite within 5 seconds; turn off gas source immediately if ignition does not occur in this timeframe.

### To light burner with a match:

4. Use the match holder and, apply lit match to burner port.
5. Push and turn right main burner control knob to "HIGH."
6. Burner should ignite within 5 seconds; turn off gas source immediately if ignition does not occur in this timeframe.
7. After the first burner is lit, push and turn the adjacent main burner control knob to "HIGH" then repeat for other burners; these burners should light automatically without the ignitor.

Note: In windy conditions, ignite each burner individually.

## LIGHTING THE SIDE BURNER:

### To light burner with the Ignitor:

4. Push and turn side burner control knob to "HIGH."
5. Push and hold the ignitor button.
6. Burner should ignite within 5 seconds.

### To light burner with a match:

4. Apply lit match to burner ports.
5. Push in the side burner control knob and turn to "HIGH."
6. Burner should ignite within 5 seconds.

Note: Pots on the side burner must not exceed 9" (23 cm) in diameter or 15 lbs. (7 kg) in weight.

## LIGHTING THE REAR ROTISSERIE BURNER:

**Warning: do not operate the main burner simultaneously with the rear burner.**

- **REMOVE THE WARMING RACK**

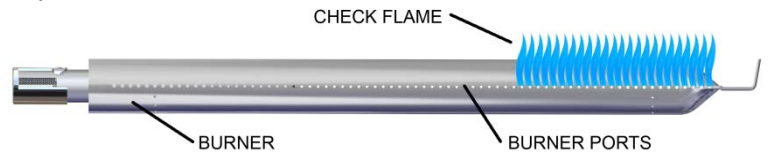
### To light burner with the Ignitor:

4. Push and turn rear burner control knob to "HIGH."
5. Push and hold the ignitor button.
6. Burner should ignite within 5 seconds.

### To light burner with a match:

4. Apply lit match to burner ports.
5. Push in the rear burner control knob and turn to "HIGH."
6. Burner should ignite within 5 seconds.

**CAUTION: Check your gas grill after lighting.** All burner ports should show a 2.5cm / 1" flame on "HIGH."



If any of the following symptoms occur there is probably a blockage in the venturi tubes. Shut off gas at once and clean the venturi tubes. See "Venturi Tubes" (Page 14).

- You smell gas
- A flashback fire occurs
- Your gas grill heats unevenly
- The burners make popping noises

## IF BURNER DOES NOT IGNITE:

- Push and turn control knob to "OFF." Wait 5 minutes then try again with control knob set at "MEDIUM"
- If any burner will not light, see "Troubleshooting" on page 21. If problem persists, do not attempt to operate the appliance; contact OMC, your dealer or an approved service center

## SHUTDOWN:

1. Turn LP gas cylinder valve or gas supply valve off.
2. Turn control knobs to "OFF."

# OPERATION

## **⚠ WARNING**

**NEVER** cover slots, holes, or passages in the front or bottom of the grill or cover an entire rack with material such as aluminum foil. Doing so blocks air flow through the grill and may cause over heating or carbon monoxide poisoning.

### **First Time Use**

Before cooking on your gas grill for the first time, clean the components and preheat the appliance to rid it of any odors or foreign matter in the following manner:

- Remove and clean the cooking grids and Flav-R-Wave™ with mild soap and water
- With cooking grids and Flav-R-Wave™ removed, light the gas grill following lighting instructions (see Page 15) and operate the gas grill on “**Medium**” for **30 minutes**. Next, turn gas source off then turn all control knobs to the “OFF” position
- Let grill cool, then replace the Flav-R-Wave™
- Season the cooking grids by coating grids with an organic cold processed cooking oil with a high smoke point, light the grill and operate on Med/Low for 30 minutes
- Recommended cooking oils:
  - Avocado Oil – smoke point (260C/500F)
  - Rice Bran Oil – smoke point (255C/490F)
  - Canola Oil – smoke point (204C/400F)
- You are ready to grill. Proceed to “Preheating”

### **Preheating**

- **Preheat the gas grill on MEDIUM** with the lid closed for 15 minutes
- Clean cold grids with a nylon grill brush (Item # 65643) or hot grids with a stainless steel wire grill brush (Item #'s 65225, 64014, 64034) and carefully inspect to ensure there are no broken bristles left on the grid
- Coat the grids with a high smoke point cooking oil
- Adjust heat as appropriate for what you are grilling

### **Lid Position**

The position of the lid during cooking is a matter of personal preference, but the gas grill cooks faster, uses less fuel, and controls the temperature best with the lid closed.

A closed lid also imparts a smokier flavor to meat cooked directly on the grid, and is essential for smoking and convection cooking.

### **Vaporization Systems**

Your gas grill is designed for use with the included Flav-R-Wave™ vaporization system. Do not use lava rock, ceramic briquettes or any other vaporization system other than the one that came with the gas grill.

## **COOKING TEMPERATURES**

BROIL KING gas grills are:

- High-performance appliances capable of high searing temperatures
- Designed with controlled airflow to retain heat and minimize fuel consumption

**Rarely, if ever, will you require the HIGH setting for extended cooking or preheating.**

### **High Setting**

Produces temperatures at the cooking grid of approximately 700 - 750°F (370 - 400° C) with the lid down.

Use high setting only:

- For fast warm-up
- In cold or windy conditions when grilling with the lid up
- To quickly sear steaks before reducing the temperature
- To burn-off of food residue from the cooking grids and Flav-R-Wave™ before cleaning (maximum 10 minutes)

### **Medium/High**

Produces temperatures at the cooking grid of approximately 600°F (320° C) with the lid down.

Use medium/high setting to:

- Preheat grill for steaks
- Grill steaks rare & medium rare

### **Medium**

Produces temperatures at the cooking grid of approximately 450° F (230°C) with the lid down.

Use medium setting to:

- Grill steaks medium and medium well
- Grill chops, burgers and vegetables

### **Medium/Low**

Produces temperatures at the cooking grid of approximately 400° F (200°C) with the lid down.

Use medium/low setting to:

- Grill chicken pieces, sausage, fish
- Roast, bake
- Grill dough and pastry such as quesadillas

### **Low**

Produces temperatures at the cooking grid of approximately 310- 350° F (155-175° C) with the lid down.

Use low setting to:

- Slow roast and smoke large cuts of meat, delicate fish and for dough and pastry

**Temperatures are approximate only and vary with the outside temperature and the amount of wind.**



# COOKING TECHNIQUES

## DIRECT GRILLING

The direct grilling method involves cooking the food on grids directly over a lit burner. Direct grilling is the most popular method for most single serving items such as steaks, chops, fish, burgers, kebabs and vegetables.

1. Prepare food in advance to avoid delay and timing problems. If using marinade or spices, they should be applied before placing meat on the cooking grid. If basting with sauces, they should be applied in the last 2-4 minutes of grilling to avoid burning.
2. Organize the area around the gas grill to include forks, tongs, oven mitts, sauces and seasonings to allow you to stay in the vicinity of the gas grill while cooking.
3. Bring meat to room temperature just prior to grilling. Trim excess fat from meat to minimize the "flare-ups" that are caused by dripping grease.
4. Pre-heat the gas grill to the desired temperature with the lid closed.
5. Coat the grids with vegetable or olive oil to prevent food from sticking to the grids.
6. Hold the salt when cooking meats on the gas grill. The meat will stay juicier if the salt is added after cooking.
7. To prevent steaks from "drying out," use tongs rather than a fork and start on "MEDIUM/HIGH" to sear the meat and seal juices in. Reduce the heat and extend cooking times when grilling thicker cuts of meat.
8. Learn to test when the meat is done by time and feel. Meat firms up as it cooks. When the meat is soft it is rare. When it is firm, it is well done.
9. Follow the perfect steak grilling guide for most meat, fish, poultry and vegetables.

DIRECT GRILLING GUIDE				
	1" THICK	HEAT SETTING	TIME PER SIDE	TOTAL MINUTES
CHICKEN	MED / WELL	MED / LOW	4 / 4 / 4 / 4	16
CHICKEN WINGS	MED / WELL	MED / LOW	5 / 5 / 5 / 5	20
HAMBURGER	MEDIUM	MED / LOW	3 / 3 / 3 / 3	12
HAMBURGERS 3/4" FROZEN	MEDIUM	MED / LOW	3 / 3 / 3 / 3	12
FISH FILLET	MEDIUM	MEDIUM	2 / 2 / 2 / 2	8 - 10
LOBSTER TAILS SPLIT	MEDIUM	MEDIUM	4 / 4 / 4 / 4	16 - 20
<b>USE SAME TECHNIQUE AS THE PERFECT STEAK GRILLING GUIDE</b>				

### THE PERFECT STEAK GRILLING GUIDE

PLACE STEAK ON ANGLE ON HOT GRIDS.      FLIP THE STEAK AS SHOWN BELOW.      TURN AND FLIP THE STEAK AGAIN.      FINALLY, FLIP THE STEAK AGAIN.

Meat Thickness		Heat Setting	Time Per Side				Total Time
1½"	1"		A	B	C	D	
	Rare	High	1¾	1¾	1¾	1¾	7 minutes
	Medium/Rare	Med/High	2	2	2	2	8 minutes
	Medium/Rare	Med/High	2¼	2¼	2¼	2¼	9 minutes
	Medium	Med	2½	2½	2½	2½	10 minutes
	Well	Med	3	3	3	3	12 minutes

# COOKING TECHNIQUES

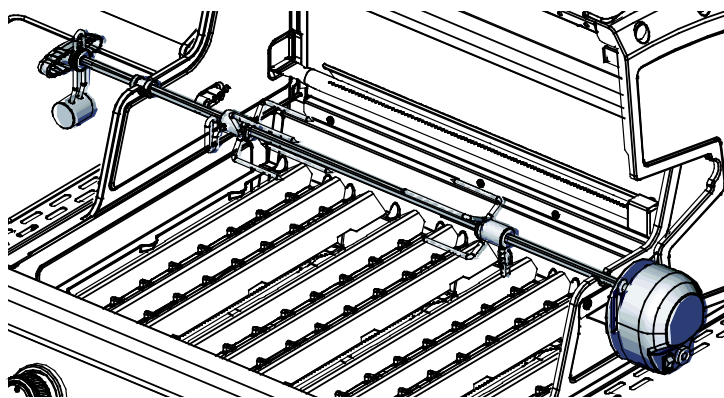
## INDIRECT CONVECTION COOKING

This method is ideal for cooking large cuts of meat such as roasts or poultry. The food is cooked by hot air circulating around it.

- For most applications of convection cooking with and without a rotisserie, a drip pan is recommended to catch the drippings. Place drip pan on top of the Flav-R-Wave, beneath center of food. Put half to one inch of water in the drip pan. Fruit juice, wine or marinade may also be added to enhance the flavor. Do not let the drip pan run dry
- Convection cooking without a rotisserie is best with the lid closed and the heat reduced. All burners can be set to low or the outside burners can be set to medium and the middle burner(s) can be turned off. Turning the center burner off will prevent juices in the drip pan from burning
- Prior to placing the meat on the gas grill, baste the meat with vegetable oil. This will enhance browning on the outside of the meat
- When cooking without a drip pan, close attention must be paid to avoid the risk of a grease fire and is not recommended
- Turn gas grill off and allow it to cool before removing drip pan. The fat drippings are highly flammable and must be handled carefully to avoid injury
- For convection cooking roasts and poultry without a rotisserie, put meat in a roasting rack directly on grids

## ROTISSERIE COOKING

Follow the steps for Indirect Convection Cooking. (See left)



- The rotisserie can accommodate up to 7 kg (15lb) of meat with the limiting factor of rotating clearance. For best results the meat should be centered on the center line of spit to eliminate an out-of-balance condition
- The rotisserie can be used with the cooking grids in place if space allows
- Fasten the meat securely on the spit prior to placing it on the gas grill. For poultry, tie the wings and legs in tightly

## REAR BURNER ROTISSERIE

- Certain models feature a rear burner for rotisserie cooking. The rear burner rotisserie method is the ultimate for cooking roasts and poultry. With the heat source located behind the food, there is no chance of a flare up caused by fat drippings. A dish or drip pan placed below the spit will collect the juices for basting or for preparing a sauce
- The spring loaded rear burner may be easily removed when not in use
- To operate your rear burner, see "Lighting the Rear Burner." (Page 15)

INDIRECT CONVECTION AND ROTISSERIE COOKING GUIDE			
BEEF ROAST	3 - 6 Lb.	MED / LOW	2 - 4 HRS
BEEF ROAST	6 - 10 Lb.	MED / LOW	3 - 5 HRS
PORK ROAST	2 - 5 Lb.	MED / LOW	2 - 4 HRS
PORK ROAST	6 - 10 Lb.	MED / LOW	3 - 5 HRS
TURKEY OR CHICKEN	2 - 5 Lb.	MED / LOW	2 - 4 HRS
TURKEY OR CHICKEN	5 - 10 Lb.	MED / LOW	3 - 5 HRS
<b>WHEN USING ROTISSERIE BURNER, SET HEAT AT MED / HIGH</b>			

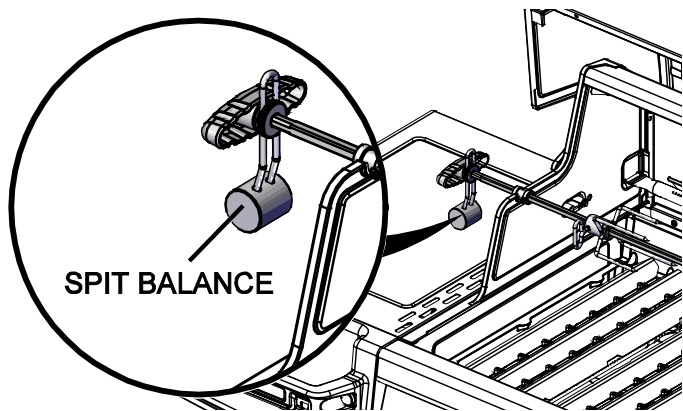
MEAT TEMPERATURE GUIDE			
	RARE	MED	WELL
BEEF / LAMB / VEAL	130°F / 55°C	146°F / 63°C	160°F / 70°C
PORK		150°F / 65°C	170°F / 77°C
POULTRY			170°F / 77°C
HAMBURGER			160°F / 70°C
<b>FOR BEST RESULTS, USE A MEAT THERMOMETER</b>			

# COOKING TECHNIQUES

## SPIT BALANCE

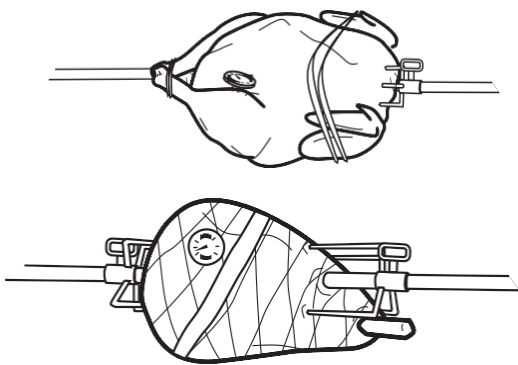
1. Loosen the rod handle to allow the balance to turn freely.
2. Set the rotisserie rod in the slots of the gas grill casting. Let the heaviest side of the meat rotate to the bottom.
3. Adjust the balance to the top of the rod, opposite the heaviest side of the meat.
4. Tighten the rod handle. Periodically, check to see if the meat turns smoothly while cooking. Adjust the spit balance as necessary.

**CAUTION:** Use oven mitt when adjusting spit balance.



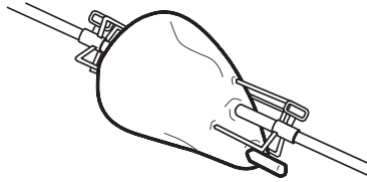
## HOW TO USE A PROBE THERMOMETER

1. The accurate way to determine when a large piece of meat is done is to use a probe thermometer. Insert the thermometer at an angle so the sturdy pointed metal tip rests in the center of the thickest part of the meat. **Be careful that it doesn't touch the spit or the bone, and that the point is not resting in fat (you will notice much less resistance when probing in fat).**



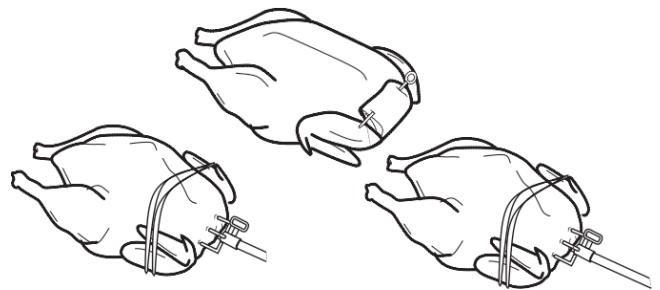
2. When the thermometer displays the desired temperature the meat is done. Add your sauces during the last few minutes of cooking time and let the meat stand about 15 minutes to firm up. Carve and serve.
- poultry: insert the tip of the thermometer in the thickest part of the thigh close to the body
  - ham or roasts: insert the tip of the thermometer in the center of the heaviest section of the meat

## USING A SPIT – LEG OF LAMB



1. Have 3" of bone sawed from small end of leg.
2. Leave meat around bone intact to form a flap.
3. Put a spit fork on rod.
4. Fold flap up and run rod through flap and leg.
5. Put second fork on rod and insert forks in each end of leg. Test for balance. Tighten screws.

## USING A SPIT – POULTRY



1. With breast down, bring neck skin up over cavity.
2. Turn under edges of skin; skewer to back skin.
3. Loop twine around skewer and tie.
4. Turn breast side up; tie or skewer wings to body.
5. Put a spit fork on rod. Insert rod in neck skin parallel to backbone and exit just above tail.
6. Put second fork on rod and insert forks in breast and tail. Test for balance. Tighten screws.
7. Tie tail to rod with twine. Cross legs; tie to tail.

## THREE CHICKENS ON A SPIT



1. Tie or skewer wings to body.
2. Put a spit fork on rod. Place chickens on rod as demonstrated in the above diagram.
3. Loop twine around tails and legs; tie to rod.
4. Put second fork on rod and insert forks in chicken. Tighten screws.

# MAINTENANCE

## REGULAR MAINTENANCE

To ensure optimal performance and safety, the following components should be inspected and cleaned as required before use of your gas grill.

### COOKING GRIDS - CAST IRON, CAST STAINLESS & HEAVY ROD STAINLESS

BROIL KING® Deep V cast iron and cast stainless cooking grids provide unsurpassed heat retention and grilling performance. BROIL KING® Heavy Rod stainless grids provide maximum durability and good heat retention and good grilling performance. BROIL KING® cast iron grids are coated with a porcelain enamel finish to protect the grids and reduce the tendency of food sticking to grids. Regular use and care improves performance and longevity of the grids.

For optimum performance:

- Before first use and after long periods of storage, wash grids using a light detergent and water and then rinse and dry with paper towel; never air dry grids or use a dishwasher
- Immediately after washing, season cooking grids by coating grids with an organic cold pressed cooking oil with a high smoke point, light the grill and operate on Med/Low for 30 minutes. Recommended cooking oils:
  - Avocado Oil – smoke point (260C/500F)
  - Rice Bran Oil – smoke point (255C/490F)
  - Canola Oil – smoke point (204C/400F)
- Before and after each use, brush grids with a good quality stainless steel bristle brush (Item #'s 65225, 64014, 64034) and lightly coat with a high smoke point cooking oil. This will continue the seasoning process
- **Use medium heat settings to preheat and grill to avoid burning off the protective seasoned coating**
- Avoid applying sugar based marinades or salt to meat before grilling, apply sugar based marinades at end of grilling and salt after grilling
- Use oil based marinades, avoid water based marinades
- Lightly coat food with cooking oil of your choice before grilling
- Turn and rotate your grids periodically
- Ensure the surface of the grid is always coated with a light layer of oil. This helps prevent rust and deterioration and improves the grids non-stick performance
- If rust does occur, Burn-Off the grid, brush with a stainless steel bristle brush and re-season

During long periods of inactivity, grids should be **seasoned**, then stored in a dry place. The grids may be wrapped in protective plastic food wrap. After periods of storage, Burn-Off grids, wash, dry with paper towel and re-season with high smoke point cooking oil.

#### Warning:

**If the grill is hot, use caution and oven mitts while handling the stainless steel bristle brush. Inspect the grids carefully after brushing to ensure there are no broken bristles left on the grid.**

### GREASE TRAY

The grease tray is in the pull out drawer located under the control panel. Clean regularly.

### FLAV-R-WAVE™

The Flav-R-Wave™ is designed to generate smoke and vapor from the food drippings in order to provide that authentic barbecue flavor while protecting the burner. If residue accumulates on the Flav-R-Wave™, remove the cooking grids and scrape the residue off the Flav-R-Wave™ with the grid lifter. (Part # 60745)

### GENERAL CLEANING

Perform a Burn-Off (see below).

When gas grill is cool, remove grids, scrape the Flav-R-Wave™ clean with grid lifter then remove the Flav-R-Wave™.

Clean the interior of the gas grill as necessary by scraping the sides and bottom of the cook box with the grid lifter and vacuum residue. Rust is a natural oxidation process and may appear on internal stainless steel parts. Rust will not affect performance of your grill.

### BURN-OFF

Ignite the burners as per “Lighting” (page 15).

Operate gas grill on HIGH with lid closed for 10 minutes maximum.

Turn the gas source off then turn control knobs to OFF.

### ANNUAL MAINTENANCE

The following components should be inspected and cleaned at least once a year or after any period of storage over 30 days to ensure optimal performance, safety and efficiency.

### BURNER

Remove burner and inspect for cracks and deterioration. Clean venturi tubes using a pipe cleaner or venturi brush to eliminate any blockages. See “Venturi Tubes.” (Page 14) While the burner is removed, remove the grease shields, clean the interior of cook box by scraping the sides and bottom of the cook box and vacuuming.

### HOSE

Inspect and replace if necessary. For propane see “Hose and Regulator.” (Page 11)

### EXTERIOR ALUMINUM COMPONENTS

If white oxidation spots appear, wash the outside of the aluminum cook box with a mild soap and water solution. Rinse the surfaces thoroughly then wipe them with a cloth dipped in cooking oil to restore the luster. For repair of paint scratches and scuffs, use a good quality HIGH temperature (600°F) spray paint for touch-up.

### STAINLESS STEEL & PORCELAIN COMPONENTS

Wash with soap and water. Use stainless steel cleaner or “Bar Keepers Friend” to polish and remove stains or rust marks if they occur. Weathering and extreme heat can cause a stainless steel lid to turn a tan color. This is discoloration and is not considered a manufacturing defect.

### RESIN COMPONENTS AND SIDE SHELVES

Wash with soap and water.

### REPLACEMENT PARTS

If a problem is found with the regulator, hose, burner, or control valves, do not attempt repair. See your dealer, approved service center, or contact the factory for repairs or replacement parts. To ensure optimum performance, use only original BROIL KING® replacement parts.

### LEAK TEST

When reconnecting a gas cylinder on propane models, be sure to check for leaks. See “Leak Testing.” (Page 13)

# TROUBLESHOOTING

PROBLEM	POSSIBLE CAUSE	CORRECTIVE ACTION
<b>SMELL OF GAS</b>	<b>SHUT OFF GAS SUPPLY AT ONCE. DO NOT USE THE APPLIANCE UNTIL LEAK IS SEALED.</b>	
Leak detected at cylinder, regulator or other connection.	<ol style="list-style-type: none"> <li>1. Regulator fitting loose.</li> <li>2. Gas leak in hose/regulator or control valves.</li> </ol>	<ol style="list-style-type: none"> <li>1. Tighten fitting and "Leak Test." (page 13)</li> <li>2. See authorized service center.</li> </ol>
Flames Beneath Control Panel (Flashback Fire)	<ol style="list-style-type: none"> <li>1. Venturi blocked.</li> </ol>	<ol style="list-style-type: none"> <li>1. Remove burner and clean venturi. See "Venturi Tubes" (page 14)</li> </ol>
Flickering Burner Flame or Low Temperatures on HIGH Setting	<ol style="list-style-type: none"> <li>1. Excess flow safety device has been activated in connection between cylinder and barbecue.</li> </ol>	<ol style="list-style-type: none"> <li>1. Turn LP cylinder valve off then turn all burners to OFF position. Disconnect the regulator from the cylinder. Wait two minutes. Re-attach regulator to the cylinder. Open the cylinder valve slowly. Wait one minute. Light grill as per "Lighting" (page 15)</li> </ol>
Burner Not Lighting	<ol style="list-style-type: none"> <li>1. Out of LP gas, gas supply not connected.</li> <li>2. Ignitor issue.</li> <li>3. Excess flow safety device has been activated.</li> <li>4. Regulator is not fully connected to the cylinder valve.</li> <li>5. A leak in the system causing the excess flow device to activate.</li> <li>6. Venturi blocked or misaligned with valve orifice.</li> <li>7. Orifice(s) blocked.</li> <li>8. Hose is twisted.</li> </ol>	<ol style="list-style-type: none"> <li>1. Refill LP gas cylinder, check connections to supply.</li> <li>2. Try manually lighting burner with a match. See "Lighting" (page 15). If burner lights successfully, it is an ignitor issue. See "Ignitor not Working" below</li> <li>3. Follow "Flickering Flame or Low Temperatures on HIGH setting" solution above.</li> <li>4. Tighten the regulator hand wheel.</li> <li>5. Leak test connections to determine loose fitting. Tighten fitting. Leak test system.</li> <li>6. Remove burner, clean venturi and realign with valve orifice. See page 14 for assistance.</li> <li>7. Remove burner, clean orifices with a pin or fine wire. Do not drill orifices.</li> <li>8. Straighten hose. Keep away from bottom casting.</li> </ol>
Ignitor Not Working	<ol style="list-style-type: none"> <li>1. Ignitor battery is dead</li> <li>2. Ignitor wire(s) not connected</li> <li>3. Electrode misaligned on burner</li> <li>4. Ignitor malfunction</li> </ol>	<ol style="list-style-type: none"> <li>1. Replace battery</li> <li>2. Ensure main burner and side burner electrode wires are all connected</li> <li>3. Realign electrode and clear any surrounding debris from area</li> <li>4. Use "Match Lighting" procedure. (Page 15)</li> </ol>
Decreasing Heat, "Popping Sound"	<ol style="list-style-type: none"> <li>1. Out of LP Gas.</li> <li>2. Venturi blocked.</li> </ol>	<ol style="list-style-type: none"> <li>1. Refill LP Gas Cylinder.</li> <li>2. Remove burner, clean venturi. See "Venturi Tubes" (Page 14) for assistance.</li> </ol>
Hot spots on Cooking Surface	<ol style="list-style-type: none"> <li>1. Venturi blocked</li> <li>2. Debris buildup on Flav-R-Wave</li> </ol>	<ol style="list-style-type: none"> <li>1. Remove burner, clean venturi. See "Venturi Tubes" (page 14) for assistance.</li> <li>2. Scrape off Flav-R-Wave and vacuum</li> </ol>
"Flare-ups" or Grease Fires	<ol style="list-style-type: none"> <li>1. Excessive grease buildup on vaporizer or in gas grill cook box</li> <li>2. Excessive heat.</li> </ol>	<ol style="list-style-type: none"> <li>1. Thoroughly scrape off Flav-R-Wave and inside of cookbox then vacuum out debris</li> <li>2. Turn burner controls to a lower setting</li> </ol>
Regulator Humming Noise	<ol style="list-style-type: none"> <li>1. Cylinder valve opened too quickly.</li> </ol>	<ol style="list-style-type: none"> <li>1. Open cylinder valve slowly.</li> </ol>
Yellow Flame	<ol style="list-style-type: none"> <li>1. Some yellow flame is normal. If it is excessive, the venturi may be blocked.</li> <li>2. Burner ports blocked.</li> </ol>	<ol style="list-style-type: none"> <li>1. Remove burner, clean venturi. See "Venturi Tubes" (page 14) for assistance.</li> <li>2. Remove burner &amp; clean with soft bristle brush (e.g. toothbrush).</li> </ol>
Inside of Lid Appears to be Peeling	<ol style="list-style-type: none"> <li>1. This is a build-up of grease. The inside of lid is not painted and cannot peel.</li> </ol>	<ol style="list-style-type: none"> <li>1. Clean with stiff bristle brush or scraper.</li> </ol>
Cooking Grids Rusting	<ol style="list-style-type: none"> <li>1. Porcelain enamel has been chipped</li> </ol>	<ol style="list-style-type: none"> <li>1. See "Maintenance" (page 20) for help</li> </ol>
Control panel or oven lights not working	<ol style="list-style-type: none"> <li>1. Unit not connected to power.</li> <li>2. Faulty transformer.</li> <li>3. Loose or corroded connections.</li> <li>4. Bulb blown</li> </ol>	<ol style="list-style-type: none"> <li>1. Connect GFI power cord to appliance. Plug to working power outlet.</li> <li>2. Check transformer output is 12Vac. Replace if required.</li> <li>3. Clean connections and ensure all connectors are pushed together firmly.</li> <li>4. Replace bulbs.</li> </ol>

# WARRANTY

The Broil King® Warranty is effective from date of purchase and is limited to the repair or replacement of parts at no charge which prove to be defective under normal domestic use.

In United States and Canada replacement is FOB Factory.

In all other countries replacement is FOB BROIL KING® Distributor

(Consult your Dealer for name of BROIL KING® Distributor). All other costs are the responsibility of the owner.

This warranty is extended only to the original purchaser as indicated on the warranty registration and applies only to products sold at retail and only when used exclusively by the purchaser in country where purchased. (Different types of gas used in different countries require appropriate valves, orifices and regulators.)

## WHAT IS COVERED

<b>COOK BOX</b>	Limited Lifetime
<b>BURNERS</b>	10 Years
<b>REMAINING PARTS AND PAINT</b>	2 Years

## WHAT IS NOT COVERED

Any failures or operating difficulties due to accident, abuse, misuse, alteration, misapplication, vandalism, improper installation or improper maintenance or service, or failure to perform normal and routine maintenance, including but not limited to damage caused by insects within the burner tubes, as set out in the owner's manual.

Deterioration or damage due to severe weather conditions such as hail, hurricanes, earthquakes or tornadoes, discoloration due to exposure to chemicals either directly or in the atmosphere.

Shipping or transportation costs.

Removal or re-installation costs.

Labor costs for installation and repair.

Cost of service calls.

Liability for indirect, or consequential damages.

Gas grills deemed to be used as a communal amenity or gas grills not directly used and maintained by the purchaser.

## REPLACEMENT PARTS

"Genuine BROIL KING® Gas Grill Parts" must always be used for replacement. Use of any other parts will automatically nullify the above warranty.

## BURNERS

The life of BROIL KING® burners (made of stainless steel) depends almost entirely on proper use, cleaning and maintenance. This warranty does not cover failure due to improper use and maintenance. For proper burner maintenance instructions see page 20.

## PORCELAIN-COATED COOKING GRIDS

All BROIL KING® cast iron cooking grids are coated with a durable porcelain enamel to assist in cleaning and reduce the tendency of food sticking to the grid. Porcelain is essentially a glass coating. Some chipping may occur if mishandled. This will not affect the use or performance of the grids. The grids are not warranted against chipping or rusting due to mishandling. Consult "Maintenance" (page 20) for proper cooking grid care and cleaning instructions.

## VAPORIZATION SYSTEMS

BROIL KING® Gas Grills are designed for use with Flav-R-Wave™ vaporization systems. Use of any other product will nullify the warranty.

## FLAV-R-WAVE™

The Flav-R-Wave™ is warranted against defects in materials or rust through for a period of 3 years from date of purchase. Surface rust will not affect the performance of the Flav-R-Wave™ and is not covered by the warranty. See "Maintenance" (page 20) for proper Flav-R-Wave care instructions.

## FREIGHT

Courtesy shipping is provided for warranty orders during the six (6) months after the original date of purchase. After this period, a freight charge will be applied to all warranty orders.

## REGISTER YOUR GRILL

You can register your grill's warranty online at [www.broilkingbbq.com](http://www.broilkingbbq.com) or by calling 1-800-265-2150.

## WARRANTY CLAIMS

All warranty is handled directly by BROIL KING®. Parts must be returned to BROIL KING® Warranty Department, shipping charges prepaid, accompanied by Model Number, Serial Number, and if your grill is not registered, proof of purchase (copy of sales slip or invoice). If inspection confirms the defect, BROIL KING® will repair or replace such part in accordance with the terms of the warranty. On receipt of letter or fax (not by phone) BROIL KING® may at its option not require part or parts to be returned.

## NON AMERICAN/CANADIAN RESIDENTS

The above warranty is administered by the BROIL KING® distributor in your country. Contact your dealer for the name of your BROIL KING® distributor.

# Broil King®

## GRIL AU GAZ INTÉGRÉ

### GUIDE DE L'UTILISATEUR

ANSI Z21.58-2015 / CSA 1.6-2015



## CONTENUS

SÉCURITÉ.....	24
INSTALLATION.....	24
BOUEILLE DE GPL.....	32
TUYAU ET RÉGULATEUR.....	33
GAZ NATUREL.....	34
TUYAU D'ALIMENTATION EN GAZ.....	34
TEST D'ÉTANCHÉITÉ.....	35
TUYAUX VENTURI.....	36
ALLUMAGE.....	37
UTILISATION.....	38
TECHNIQUES DE CUISSON.....	39
ENTRETIEN.....	42
DÉPANNAGE.....	43
GARANTIE.....	44



#### DANGER

S'IL Y A UNE ODEUR DE GAZ:

1. FERMER L'ALIMENTATION EN GAZ DE L'APPAREIL
2. ÉTEINDRE TOUTE FLAMME NUE
3. OUVRIR LE COUVERCLE
4. SI L'ODEUR PERSISTE, ÉLOIGNEZ-VOUS DE L'APPAREIL ET APPELEZ IMMÉDIATEMENT VOTRE FOURNISSEUR DE GAZ OU LES POMPIERS



#### AVERTISSEMENT

1. NE PAS ENTREPOSER NI UTILISER DE L'ESSENCE OU AUTRES VAPEURS OU LIQUIDES INFLAMMABLES À PROXIMITÉ DE CET APPAREIL
2. UNE BONBONNE DE PROPANE QUI N'EST PAS RACCORDÉE À L'APPAREIL NE DEVRAIT PAS ÊTRE ENTREPOSÉE À PROXIMITÉ DE CET APPAREIL OU DE TOUT AUTRE APPAREIL

**VEUILLEZ INSCRIRE LE NUMÉRO DE MODÈLE, LE NUMÉRO DE SÉRIE ET LA DATE D'ACHAT ICI.**

Ces renseignements se trouvent sur une étiquette d'avertissement noire et argent d'OMC à l'arrière ou sur le côté de votre gril à gaz.

Numéro de modèle					-			
Numéro de série		-						
Date d'achat			/			/		
	dd			mm			aaaa	

**REMARQUE POUR L'INSTALLATEUR : CES INSTRUCTIONS DOIVENT ÊTRE LAISSÉES AU CONSOMMATEUR.**

**LIRE ATTENTIVEMENT CES DIRECTIVES AVANT D'UTILISER VOTRE GRIL.  
CONSERVER CES DIRECTIVES POUR RÉFÉRENCE ULTÉRIEURE.**



SINCE 1906  
**MANUFACTURING COMPANY**  
 LIMITED  
 585 KUMPF DRIVE  
 WATERLOO, ONTARIO, CANADA  
 N2V 1K3

# SÉCURITÉ

Votre gril à gaz intégré de Broil King<sup>MD</sup> est un appareil sécuritaire et commode lorsqu'il est assemblé et utilisé correctement. Comme avec tous les produits alimentés au gaz, certaines précautions devraient être prises. **Le non-respect de ces mises en garde peut mener à des blessures graves ou des dommages.** Si vous avez des questions concernant l'assemblage ou l'utilisation du produit, veuillez consulter votre détaillant, spécialiste des appareils au gaz, fournisseur de services de gaz ou le service à la clientèle direct en composant le 1-800-265-2150 / info@omcbbq.com

## MISE EN GARDE

- **POUR L'UTILISATION EN EXTÉRIEUR SEULEMENT**
- **CET APPAREIL NE DOIT PAS FONCTIONNER SANS SURVEILLANCE**
- **VEUILLEZ TENIR LES JEUNES ENFANTS LOIN DES SURFACES CHAUFFÉES**

**Soyez prudent(e) en manipulant ou transportant ce produit. Les bords métalliques peuvent être dangereux. Portez des gants en soulevant ou manipulant le produit.**

## MISES EN GARDE ÉLECTRIQUES

1. Si un accessoire nécessitant une source d'alimentation électrique est utilisé avec cet appareil, celui-ci doit être relié à la terre selon les codes locaux. Dans l'absence de codes locaux, les normes suivantes s'appliquent:  
**É.-U.) ANSI/NFPA No. 70 - Édition la plus récente et (Canada) CSA C22.1 Code canadien de l'électricité**
2. Ne pas couper ni retirer la broche de mise à la terre de la fiche.
3. Tenir le fil d'alimentation électrique et le tuyau d'alimentation en carburant loin des surfaces chauffées.

## ⚠ AVERTISSEMENT

Ce produit risque de vous exposer au plomb, un produit contenant des agents chimiques connus dans l'État de la Californie pour causer le cancer et des malformations congénitales ou d'autres dommages au système reproductif. **Veillez laver vos mains après avoir manipulé ce produit.**

La combustion de gaz de cuisson peut vous exposer à des produits chimiques, y compris le monoxyde de carbone, qui est connu par l'état de Californie pour causer le cancer, les malformations congénitales ou d'autres problèmes reproductifs. **Pour minimiser l'exposition à ces substances, toujours faire fonctionner cet appareil conformément au guide de l'utilisateur, en fournissant une ventilation adéquate lorsque vous cuisinez avec du gaz.**

**POUR PLUS D'INFORMATIONS, VEUILLEZ VISITER  
WWW.P65WARNINGS.CA.GOV**

# INSTALLATION

1. Aux É.-U., cet appareil doit être installé conformément au code local et au code local pertinent:

**ANSI Z223.1/NFPA 54, Code de gaz de carburant national et les codes locaux les plus récents, le cas échéant**

2. Au Canada, cet appareil doit être installé conformément au code local et aux normes CSA pertinentes:

**CSA-B149.1 Code d'installation de gaz naturel et de propane**

3. **NE PAS** limiter la circulation d'air dans l'appareil.
4. Assurer que la zone entourant l'appareil soit exempte de matériaux combustibles, carburant, et tous liquides/vapeurs inflammables.
5. Cet appareil n'est pas conçu pour l'installation sur ou à l'intérieur des véhicules récréatifs et/ou bateaux.

## OPTIONS DE CONFIGURATION

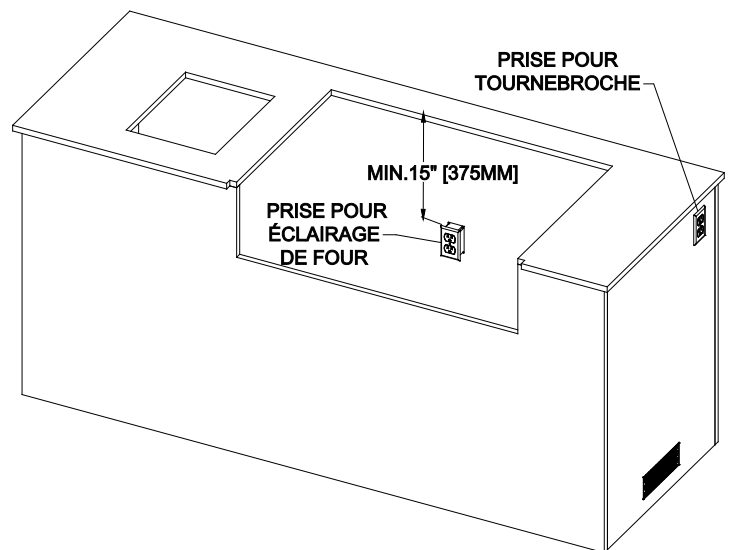
La grille intégrée et toutes les autres unités accessoires doivent être sur le site avant le début de la construction. Il y a beaucoup d'options pour la conception de votre cuisine extérieure.

Si le gril comprend un brûleur latéral, n'oubliez pas de positionner le brûleur latéral à gauche de l'appareil.

## PRISES ÉLECTRIQUES

Si un tournebroche sera utilisé, une prise électrique pour le tournebroche doit être positionnée sur le côté arrière droit du gril.

Si un éclairage interne est fourni, une prise électrique avec disjoncteur pour les lumières doit être placée à l'intérieur de l'enclos sur la paroi arrière, 15 pouces (38 cm) en-dessous du comptoir.





# INSTALLATION

L'installation doit être effectuée par un professionnel qualifié.

## POSITIONNEMENT DE VOTRE GRIL À GAZ

Assurer une ventilation adéquate pour laisser dissiper la chaleur et la fumée.

### EN DÉTERMINANT LA POSITION DU GRIL, RÉFLÉCHISSEZ AUX FACTEURS SUIVANTS:

- Exposition au vent
- Proximité à la circulation routière
- Garder les conduites de gaz et les branchements électriques aussi courts que possible et éloignés de toute source de chaleur

### PLACER LE GRIL:

- en laissant suffisamment d'espace pour bien évacuer la zone en cas d'incendie
- dans un endroit bien aéré

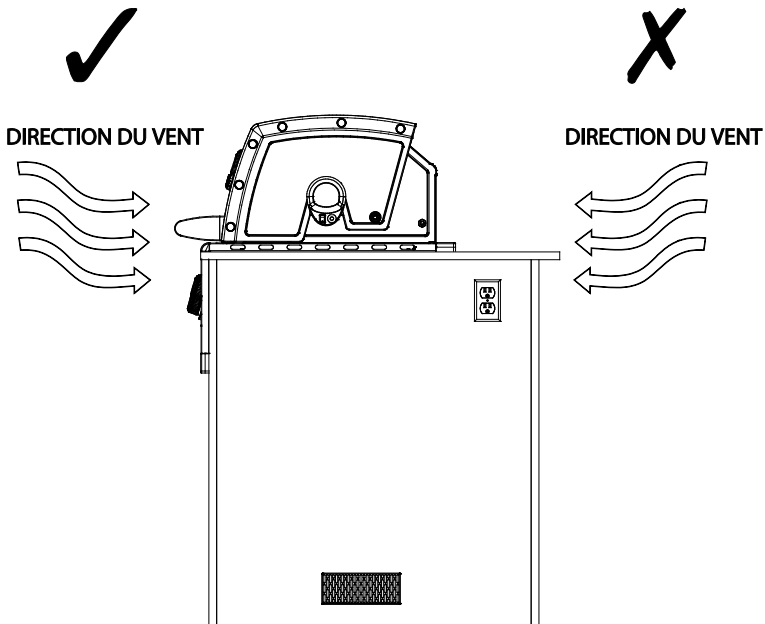
### NE PAS PLACER LE GRIL:

- dans un garage, un passage couvert ou une remise, ou tout autre espace clos
- en-dessous d'une construction aérienne combustible non protégée

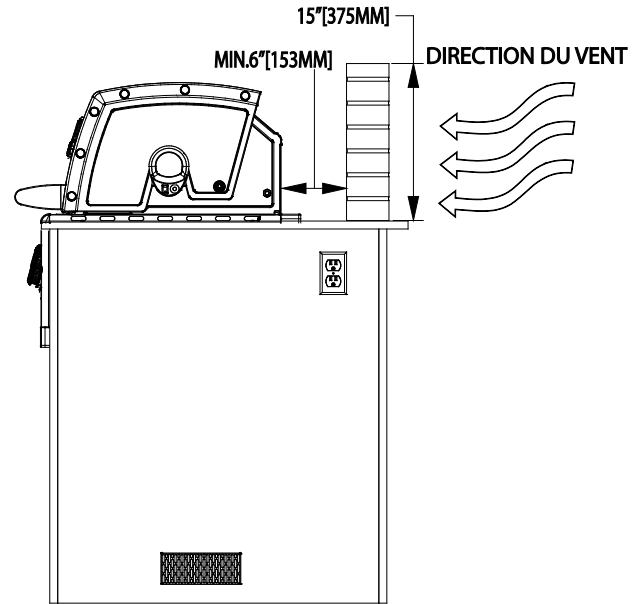
Le gril est conçu pour aspirer de l'air via le panneau de contrôle et acheminer les produits d'échappement vers l'extérieur à travers l'espace d'échappement à l'arrière de la hotte.

Si vous placez le gril dans un endroit venteux, assurez-vous que le vent dominant souffle l'air vers l'avant du gril. Un léger vent à l'avant du gril:

- aidera le gril à évacuer l'air chaud à l'arrière de l'appareil
- aidera à empêcher la fumée de souffler sur l'utilisateur du gril



Si le gril est situé là où le vent souffle sur l'arrière du gril, un coupe-vent devra être installé. Le coupe-vent doit être construit pour empêcher le vent d'entrer dans l'évent d'échappement à l'arrière du gril et de se conformer avec les dégagements prescrits pour une construction combustible ou incombustible tel qu'indiqué dans ces directives.



**AVERTISSEMENT : Le vent soufflant sur l'arrière du gril ou le long du conduit d'évacuation peut perturber la circulation de l'air dans le gril, menant à des performances réduites, ou dans certains cas, provoquant une accumulation de chaleur excessive dans la zone du panneau de contrôle. Cela peut conduire à un risque de brûlure si la surface du panneau de contrôle et les boutons deviennent trop chauds au toucher.**

Il est préférable de ne pas utiliser le gril dans des conditions venteuses. Les dommages au gril résultant de l'utilisation dans des conditions venteuses, comme les boutons fondus ou les fils d'allumeur ou la décoloration du panneau des soupapes en raison d'une accumulation de chaleur, sont exclus de la garantie.

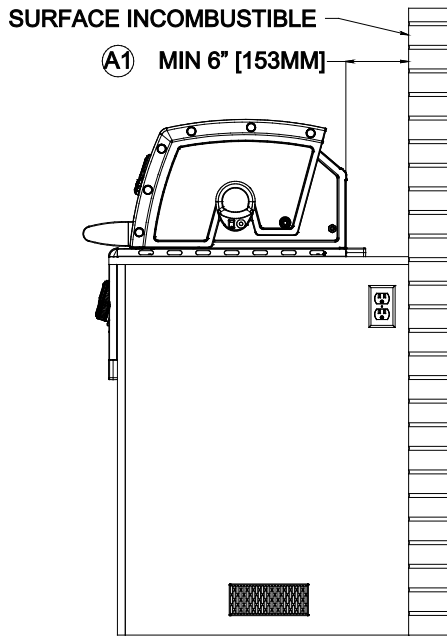
# INSTALLATION - DÉGAGEMENTS

## DÉGAGEMENTS AUX PAROIS LATÉRAUX ET ARRIÈRE

**Remarque :** L'installation nécessite une surface de comptoir incombustible. La surface du comptoir doit être construite à partir de matériaux solides et doit être plane et lisse.

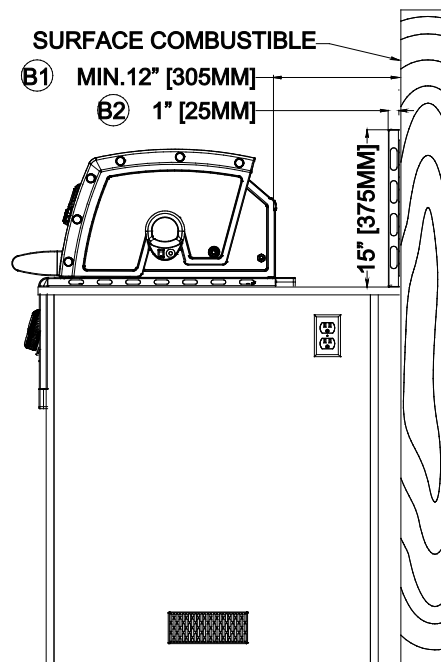
### A) Dégagement entre le gril et une paroi incombustible au-dessus de la surface du comptoir

1. Le gril doit avoir un dégagement minimum de 6" [153mm] à droite, à gauche et à l'arrière de la paroi incombustible pour permettre une bonne ventilation et l'espace pour ouvrir le couvercle complètement.



### B) Dégagement entre le gril et une paroi combustible protégée au-dessus de la surface supérieure du comptoir

1. Le gril doit avoir un dégagement minimum de 12 po [305 mm] à droite, à gauche et à l'arrière de la paroi combustible protégée.
2. Une paroi combustible protégée a un espace ventilé de 1 po (25 mm) entre une surface incombustible et la surface combustible s'étendant à 15 po (375 mm) de la surface supérieure du comptoir.



## DÉFINITION DES MATÉRIAUX COMBUSTIBLES

Tout bâtiment ou structure décorative fait de bois, papier comprimé, fibres végétales, vinyle/plastique ou autre matériaux capables de transférer la chaleur ou de s'enflammer et brûler. Ces matériaux sont considérés comme combustibles, même lorsqu'ils ont une protection anti-inflammation ou un revêtement ignifuge, ou sont peints ou plâtrés.

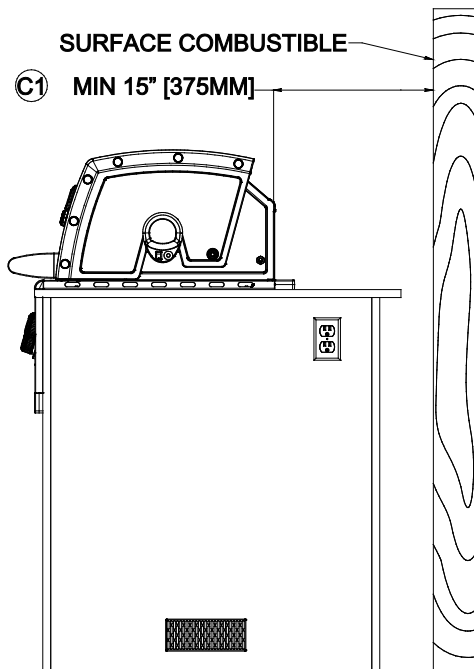
## DÉFINITION DES MATÉRIAUX INCOMBUSTIBLES

Un matériel qui ne peut pas s'enflammer et brûler, comme les matériaux entièrement composés de, ou d'une combinaison d'acier, de fer, de tuile de béton, de ciment, d'ardoise et de plâtre.

# INSTALLATION - DÉGAGEMENTS

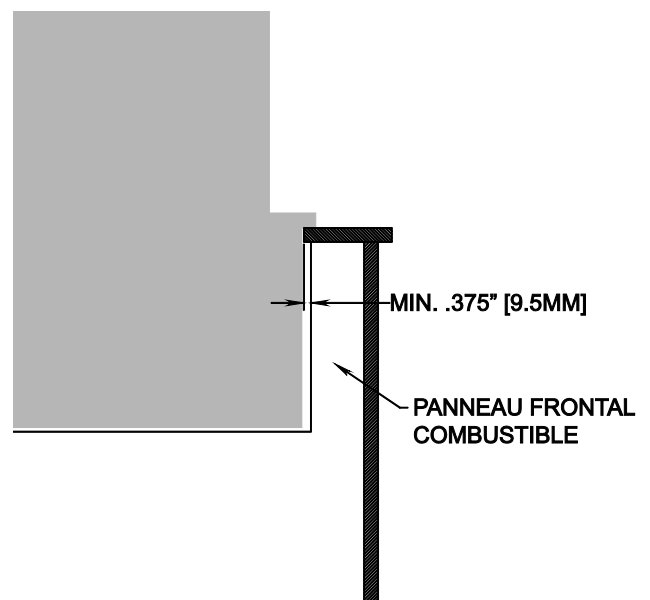
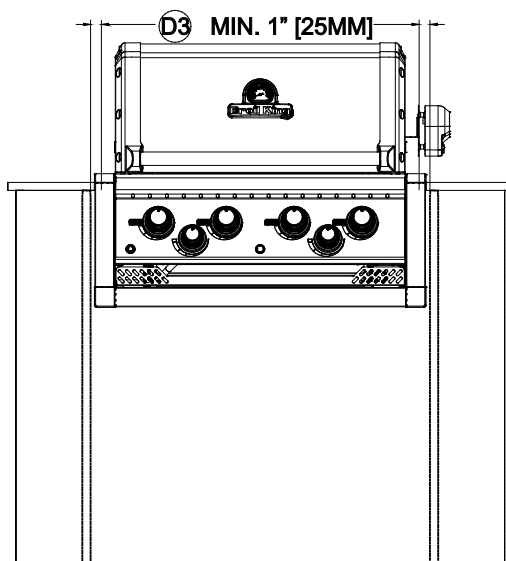
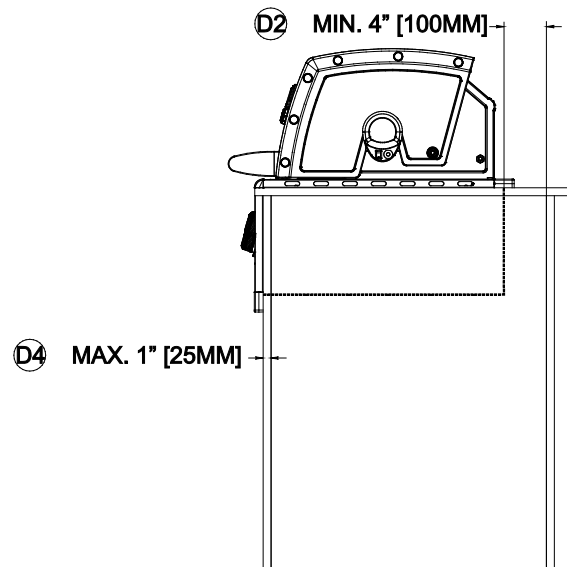
## C) Dégagement entre le grill et une paroi combustible au-dessus de la surface du comptoir

1. Le grill doit avoir dégagement minimum de 15 po [375mm] à droite, à gauche et à l'arrière de la paroi combustible au-dessus de la surface supérieure du comptoir.



## D) Dégagement entre le grill et une paroi combustible ou une construction incombustible en-dessous la surface du comptoir

1. Il faut un dégagement "0" entre le dessous du comptoir et la construction incombustible.
2. Un dégagement de 4 po (100 mm) est requis entre le dessous du comptoir et les constructions combustibles à l'arrière de l'appareil.
3. Un dégagement de 1 po (25 mm) est requis entre le dessous du comptoir et les constructions combustibles aux côtés gauche et droit.
4. Un dégagement de 3/8 po (9.5mm) est requis entre le dessous du comptoir et la paroi frontale de l'enclos, pourvu que celui-ci ait une épaisseur inférieure à 1 po (25 mm).



# INSTALLATION - DÉGAGEMENTS

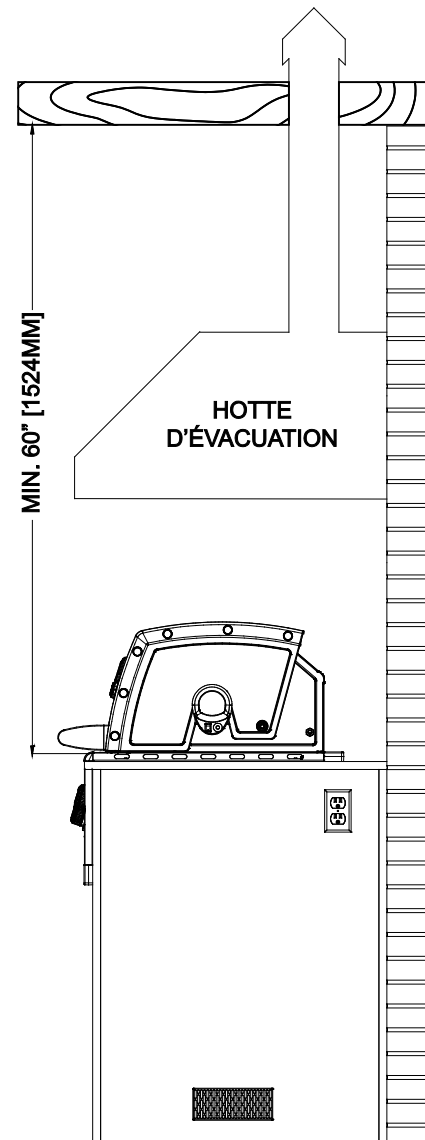
**AVERTISSEMENT:** Ne pas installer ni utiliser le gril en-dessous d'une construction combustible non protégée sans système de ventilation ignifuge.

## EXIGENCES SUR LES CONSTRUCTIONS AÉRIENNES ET LA HOTTE D'ÉVACUATION

Un dégagement minimal de 60 po [1524mm] est nécessaire entre la surface de grillade et la construction aérienne. Lorsque l'appareil est installé sous une construction aérienne combustible, la zone située au-dessus de la surface de cuisson du gril doit être recouverte d'une hotte d'évacuation. La hotte d'évacuation agit comme protection de la construction aérienne combustible. Lorsque l'appareil est installé en-dessous d'une construction aérienne incombustible, une hotte d'évacuation est fortement recommandée.

## HOTTE D'ÉVACUATION

Lorsque vous utilisez une hotte d'évacuation, la zone située au-dessus de la surface de cuisson du gril doit être recouverte d'une hotte plus grande que la surface de cuisson du gril et d'un minimum de 1200 p<sup>3</sup>/min (pieds cubes par minute) pour les applications extérieures.



# INSTALLATION - ENCLOS

## ENCLOS POUR GRIL ET BOUTEILLE DE GPL

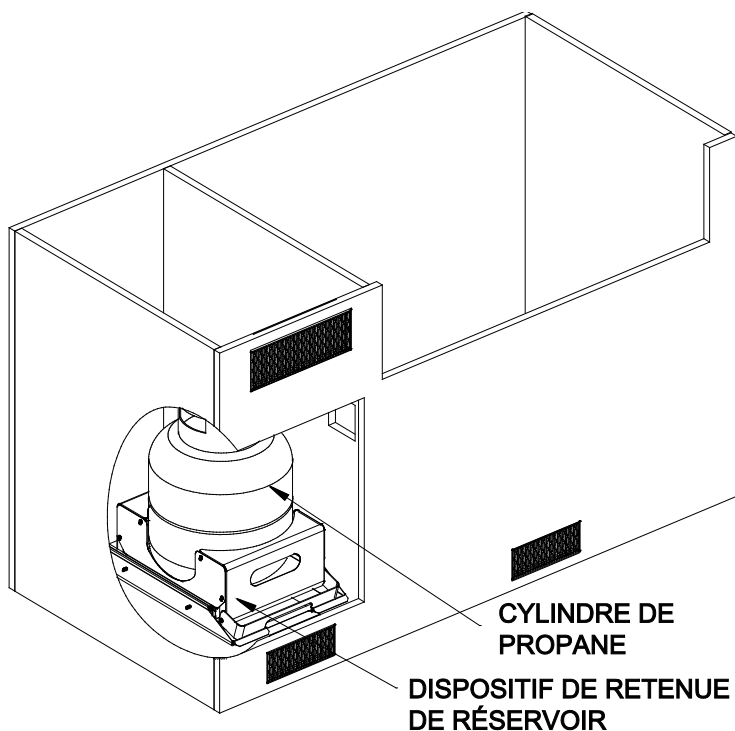
Les enclos de gril et de bouteille de propane doivent satisfaire les exigences relatives à la ventilation, la fixation de la bouteille et la séparation de la bouteille de GPL d'une source de chaleur tel qu'indiqué dans la **norme ANSI pour les appareils de cuisson à gaz extérieurs, Z21.58/CSA 1.6 pour les enclos de GPL**.

Il existe 2 types d'enclos:

1. Enclos de gril sans bouteille de GPL.
2. Enclos de gril avec bouteille de GPL.

**AVERTISSEMENT: Ne pas ranger une bouteille de recharge dans un enclos fermé.**

Les enclos pour bouteilles de gaz propane doivent être munis d'un dispositif de rétention de cylindre. Un dispositif de retenue pour cylindre Broil King<sup>MD</sup> est disponible chez votre revendeur.

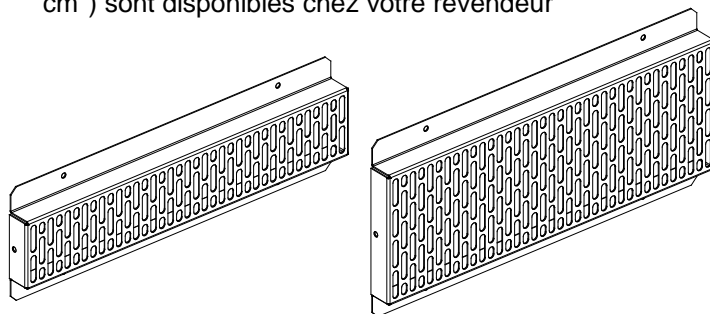


**AVERTISSEMENT: Les orifices de ventilation sont requis dans les enclos pour prévoir une ventilation dans le cas d'une fuite de gaz.**

La ventilation réduit l'humidité et refroidit l'enclos.

Remarque: Les dessins sont fournis aux fins de référence seulement.

- Chaque événement doit comporter des orifices d'une taille minimum pour permettre la pénétration d'une tige de diamètre 1/8 po (3,2 mm)
- Assurez-vous que les ouvertures d'aération ne sont pas bloquées par les supports intérieurs.
- Gardez les ouvertures d'aération propres et non-obstruées
- Les événements peuvent être situés dans les zones de faible visibilité et devraient être protégées par des écrans pour empêcher la pénétration de rongeurs et d'insectes dans l'enclos
- Des événements qui fournissent une surface libre minimale de 10 pouces carrés (65 cm<sup>2</sup>) et les événements qui fournissent un espace libre d'un minimum de 20 pouces carrés (130 cm<sup>2</sup>) sont disponibles chez votre revendeur



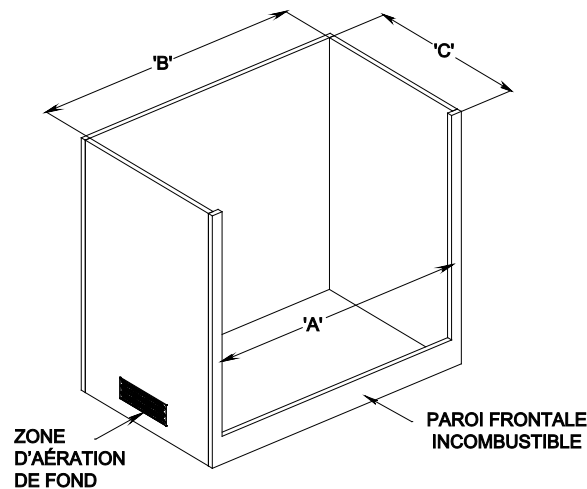
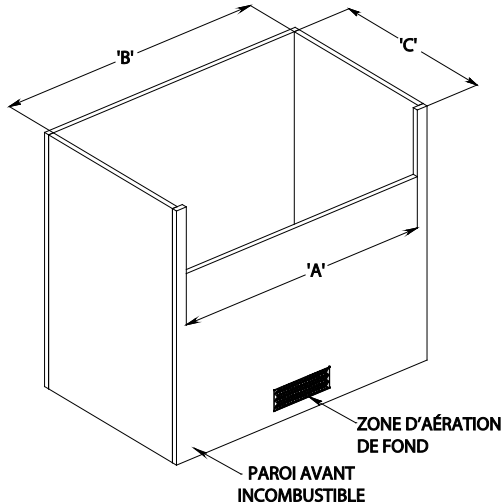
- Les robinets d'arrêt doivent être facilement accessibles pour une utilisation manuelle
- Une porte sur l'armoire pour accéder à la soupape de la bouteille de propane est acceptable, pourvue qu'elle ne comporte pas un verrou et peut être ouverte sans l'aide d'outils
- Un dégagement minimum de 2 pouces (51mm) est requis entre le fond d'une bouteille de GPL et le sol
- En cas de fuite de gaz ou d'évacuation de la bouteille de GPL dans l'enclos de la bouteille de propane, le gaz ne devrait pas pouvoir évacuer dans ou migrer vers des zones vides ou "creuses" de l'enclos

**AVERTISSEMENT: Les orifices d'aération ne doivent communiquer qu'avec l'extérieur de l'enclos, afin que le gaz puisse dissiper à l'extérieur de l'enclos.**

# INSTALLATION - ENCLOS

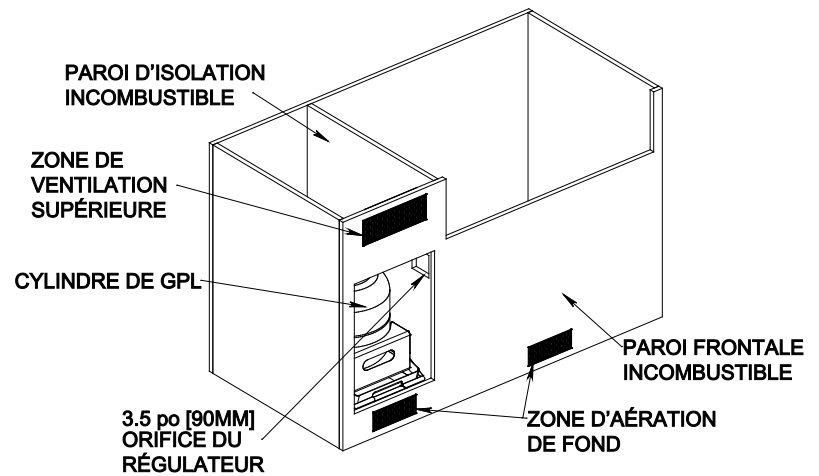
## ENCLOS DE GRIL SANS BOUTEILLE DE GPL

- Une ventilation totalisant une superficie libre minimale de 10 pouces carrés (65 cm<sup>2</sup>) est fournie sur le haut du grill à travers les garnitures latérale et arrière du grill
- Une ventilation totalisant une superficie libre minimale de 5 pouces carrés (13 cm<sup>2</sup>) est fournie au fond du grill à travers la garniture inférieure
- Une ventilation totalisant une superficie libre minimale de 10 pouces carrés (33 cm<sup>2</sup>) est fournie au fond de l'enclos
- Positionner le bord inférieur du conduit d'évacuation à 1 po (25 mm) ou moins du plancher et 5 po (127 mm) du fond de l'enclos
- Veillez à ne pas obstruer ces événements



## ENCLOS DE GRIL AVEC BOUTEILLE DE GPL

- Un enclos de bouteille de GPL éloigné est nécessaire pour les installations qui utilisent un cylindre de propane liquéfié
- L'enclos a quatre côtés, une surface supérieure et un fond avec les dimensions intérieures minimales suivantes:
  - Hauteur – 20 po (50cm)
  - Largeur – 15 po (38.5cm)
  - Profondeur – 14 po (36cm)
- L'enclos ne doit pas permettre de ranger une bouteille de propane supplémentaire à l'intérieur
- Une ventilation totalisant une superficie libre minimale de 20 pouces carrés (130 cm<sup>2</sup>) est fournie au haut de la paroi extérieure de l'enclos. (Selon la norme ANSI Z21.58/CSA 1.6)
- Une ventilation totalisant une superficie libre minimale de 10 pouces carrés (65 cm<sup>2</sup>) est fournie au fond de la paroi extérieure de l'enclos. (Selon la norme ANSI Z21.58/CSA 1.6)
- Positionnez les événements supérieurs à 5 po (127 mm) du haut de l'enclos
- Positionnez l'évent inférieur à 1 po (25 mm) ou moins du plancher et à 5 po (127 mm) du fond du l'enclos
- L'enclos de bouteille de GPL éloigné doit isoler la bouteille de GPL du compartiment du brûleur, afin de protéger contre les rayonnements, agir comme barrière de flammes et offrir une protection contre les corps étrangers tels que les jus de cuisson chauds



DIMENSIONS DE L'ENCLOS DU GRIL				
		420 / 490	590	XL
A	MIN	30 5/16po [770mm]	36 11/16po [932mm]	44po [1118mm]
	MAX	30 15/32po [774mm]	36 27/32po [936mm]	44 5/32po [1122mm]
B	MIN	31 3/8po [797mm]	37 3/4po [959mm]	45 1/8po [1146mm]
C	MIN	27po [686mm] avec prise avec disjoncteur montée en surface		

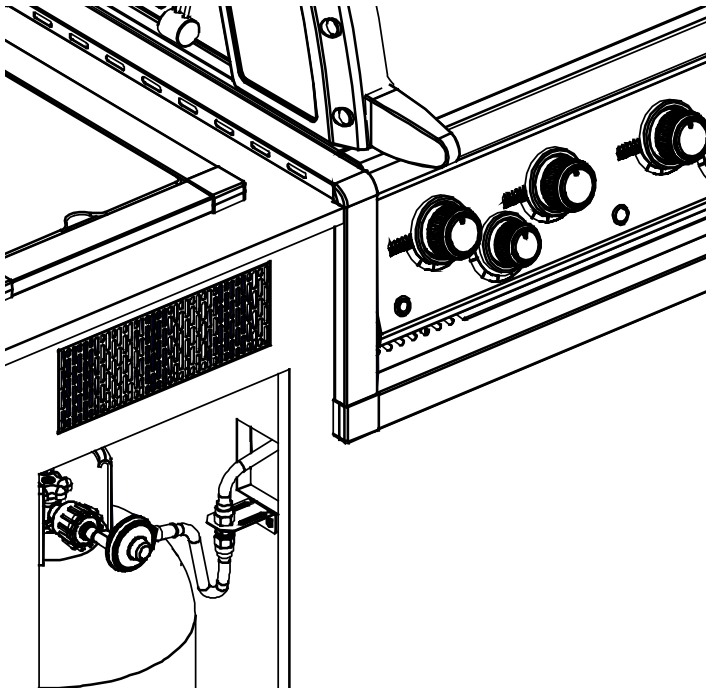
## DANGER

Le défaut de bâtir un enclos de bouteille de GPL éloigné pour une seule bouteille de 20 lb seulement selon les exigences sur la ventilation, la fixation de la bouteille de GPL et la séparation de la bouteille de GPL d'une source de chaleur, en vertu de la norme ANSI pour les appareils de cuisson à gaz extérieurs, Z21.58/CSA 1.6, pourrait être dangereux et provoquer une incendie ou une explosion causant des lésions corporelles graves, le décès ou des dommages matériels.

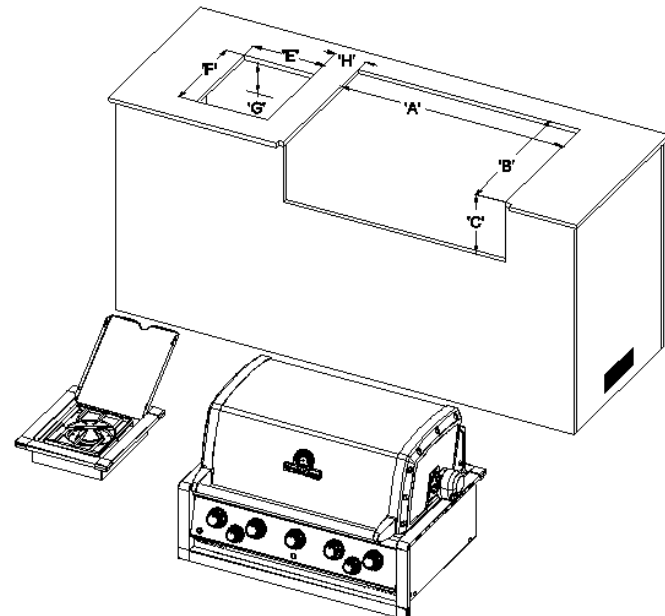
# INSTALLATION – DIMENSIONS DE LA DÉCOUPE

## SPÉCIFICATIONS POUR LE RACCORDEMENT D'UNE BOUTEILLE DE GPL DE 20 LB

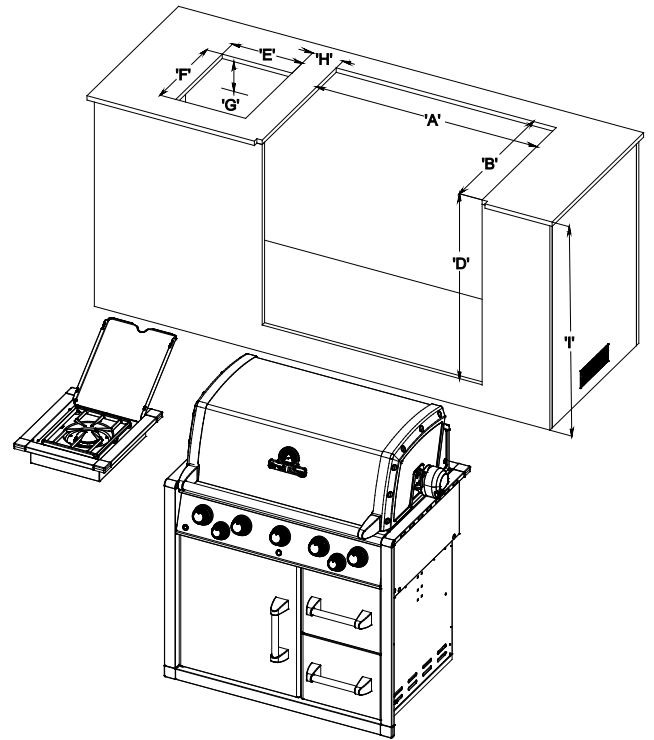
- un tuyau de 14 po (356 mm) ondulé avec un raccord SAE de 3/8 po et 45 degrés est raccordé au collecteur du gril
- n'utilisez pas de pâte à joint sur le raccord SAE de 3/8 po et 45 degrés
- le raccord SAE de 3/8 po et 45 degrés doit être solidement fixé à une construction permanente rigide
- si vous choisissez d'utiliser un tuyau au gaz ondulé autre que celui fourni, le connecteur doit respecter la norme pour connecteurs pour appareils à gaz, ANSI Z21.24 • CSA 6.10



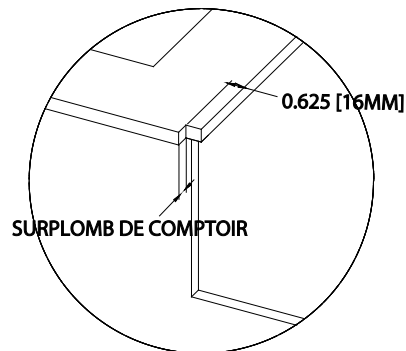
## DIMENSIONS DE LA DÉCOUPE DE COMPTOIR – INTÉGRÉ



## DIMENSIONS DE LA DÉCOUPE DE COMPTOIR – INTÉGRÉ AVEC ARMOIRE



## DÉTAIL D'ENTAILLE DE COMPTOIR



## DIMENSIONS DE DÉCOUPE DE L'ÎLOT

	490	590	XL
A	MIN. 29 <sup>7</sup> / <sub>8</sub> po [758mm] MAX. 30 <sup>1</sup> / <sub>8</sub> po [765mm]	MIN. 36 <sup>1</sup> / <sub>4</sub> po [920mm] MAX. 36 <sup>1</sup> / <sub>2</sub> po [927mm]	MIN. 43 <sup>5</sup> / <sub>8</sub> po [1108mm] MAX. 43 <sup>7</sup> / <sub>8</sub> po [1115mm]
B	MIN. 23 <sup>1</sup> / <sub>8</sub> po [590mm] – MAX. 23 <sup>3</sup> / <sub>8</sub> po [595mm]		
C	MIN. 10 <sup>29</sup> / <sub>32</sub> po [280mm] – MAX. 11 <sup>1</sup> / <sub>8</sub> po [285mm]		
D	MIN. 31 <sup>1</sup> / <sub>2</sub> po [800mm] – MAX. 31 <sup>3</sup> / <sub>4</sub> po [810mm]		
E	MIN. 11 <sup>1</sup> / <sub>2</sub> po [290mm] – MAX. 11 <sup>3</sup> / <sub>4</sub> po [300mm]		
F	MIN. 14 <sup>1</sup> / <sub>2</sub> po [370mm] – MAX. 14 <sup>3</sup> / <sub>4</sub> po [375mm]		
G	MINIMUM 4 <sup>1</sup> / <sub>2</sub> po [115mm]		
H	MINIMUM 3 po [75mm] – MAXIMUM 7 po [180mm]		
I	MINIMUM 34 po [865mm]		

# BOUTEILLE DE GPL

La norme pour les appareils à gaz extérieur, ANSI Z21.58 / CAN/CGA-1.6, exige que les bouteilles de gaz propane utilisées avec les appareils au gaz propane soient équipées

- d'un Dispositif de prévention du débordement (DPD)
- un système d'accouplement à fermeture rapide QCC<sup>MD</sup>-1

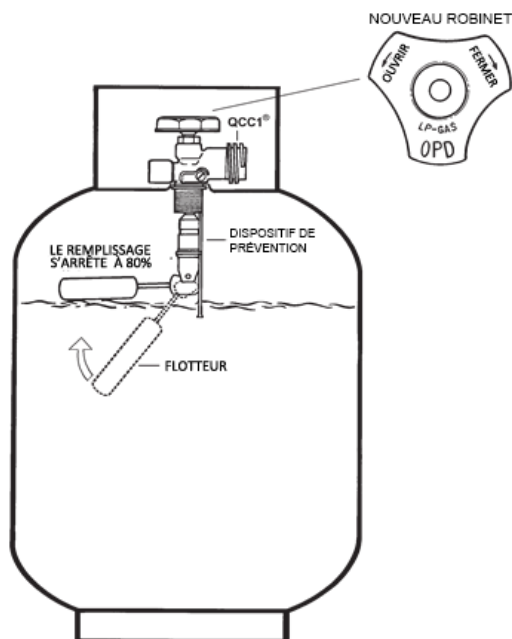
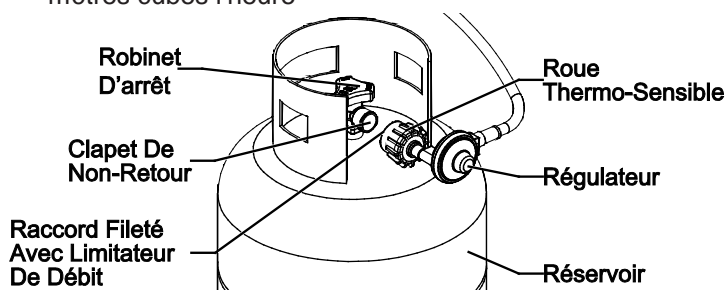
## DISPOSITIF DE PRÉVENTION DU DÉBOURDEMENT

Le DPD est conçu pour réduire le potentiel de remplissage excessif des bouteilles de propane, réduisant ainsi la possibilité de rejets de propane brut de la soupape de décharge. **Le DPD provoque une opération de remplissage/purge plus lente.**

## ACCOUPEMENT À FERMETURE RAPIDE QCC<sup>MD</sup>-1

Le système QCC<sup>MD</sup>-1 incorpore de nouvelles fonctions de sécurité requises par l'Institut américain national de la normalisation (ANSI) et l'Association canadiennes de normalisation (ACN).

- Le gaz ne circulera pas jusqu'à ce qu'une connexion positive soit réalisée
- Un élément thermique éteindra le débit de gaz entre 240° et 300° F
- Lorsqu'il est activé, un dispositif de limitation du débit limitera la circulation de gaz à 10 pieds cubes/0,28 mètres cubes l'heure



**La bouteille de propane n'est pas incluse avec le grill au gaz.** N'oubliez pas d'utiliser une bouteille de propane équipée d'un DPD et d'une soupape QCC<sup>MD</sup>.

## IDENTIFICATION

La soupape de QCC<sup>MD</sup>-1 est caractérisée par un filetage externe sur l'entrée du robinet de gaz propane.

La roue à main DPD a été normalisée selon la forme illustrée. Les bouteilles équipées de la valve QCC<sup>MD</sup> sont disponibles depuis votre détaillant de grils à gaz.

**AVIS : Toute tentative de connecter le régulateur par le moyen d'adaptateurs ou toute autre valve pourrait mener à des dommages, un incendie ou des blessures, et peut nier aux autres fonctions de sécurité importantes du système QCC<sup>MD</sup>-1.**

## SPÉCIFICATIONS

1. Toute bouteille de GPL utilisée avec cet appareil doit être construite et marquée conformément aux Spécifications des bouteilles de GPL du Ministère américain des transports (DOT) ou de la Norme nationale du Canada, normes CAN/CSA-B339 relatives aux cylindres, sphères et tubes pour le transport des matières dangereuses; et Commission, le cas échéant.
2. Toute bouteille de GPL utilisée avec cet appareil doit avoir une capacité maximum de 20 lb (9 kg), une hauteur d'environ 18 po (46 cm), et un diamètre d'environ 12 po (31 cm).
3. Toute bouteille de GPL utilisée avec cet appareil devrait être inspectée à chaque remplissage et requalifié par un service certifié à la date d'expiration (10 ans), conformément aux codes du DOT (É.-U.) et du CTC (Canada) relatives aux bouteilles de GPL.
4. Toute bouteille de GPL utilisée avec cet appareil doit être équipée d'une valve d'arrêt se terminant en sortie de bouteille n° 510, tel que spécifié par la Norme sur les entrées et sorties des valves de bouteille de gaz comprimé (É.-U.) ANSI/CGA-V-1-1977 (Canada) CSA B96.
5. Le système d'alimentation de la bouteille doit être configuré pour l'extraction de vapeur.
6. La bouteille doit inclure un collet pour protéger la valve de la bouteille.
7. La bouteille doit être installée selon les directives d'assemblage.
8. Ne jamais remplir la bouteille à plus de 80%. Il peut se produire un incendie pouvant causer des blessures graves, voire la mort.
9. La valve de la bouteille doit inclure un dispositif de suppression de sécurité directement relié à la chambre de vapeur de la bouteille.



## MANUTENTION

1. Des réglementations gouvernementales interdisent l'expédition de bouteilles de GPL pleines. Vous devez apporter votre nouvelle bouteille chez un détaillant de GPL pour le remplissage.
2. Les bouteilles de GPL sont remplies sous une très haute pression. Toujours manipuler avec soin et transporter à l'endroit. Protéger la valve contre les dommages accidentels.
3. Ne pas incliner la bouteille de GPL en la connectant au régulateur. Attacher solidement la bouteille pendant le transport, l'utilisation et le rangement.
4. Si vous inclinez la bouteille après qu'elle est raccordée au régulateur, veuillez éteindre le gaz, déconnecter le régulateur et vérifier la bouteille avant de l'utiliser de nouveau.

## RANGEMENT

1. Ranger la bouteille de GPL à l'extérieur dans un endroit bien ventilé.
2. Ne pas ranger la bouteille de GPL dans la lumière directe du soleil, ou près d'une source de chaleur ou de combustion.
3. Si vous prévoyez ranger le gril en intérieur, déconnecter et enlever premièrement la bouteille de GPL. Les bouteilles déconnectées doivent être équipées d'un bouchon anti-poussière, et ne doivent pas être rangées dans un bâtiment, un garage ou tout autre espace clos.
4. Tenir hors de la portée des enfants.
5. Lorsque la bouteille de GPL est connectée au gril à gaz, le gril à gaz et la bouteille de GPL doivent être rangés en extérieur, dans un endroit bien ventilé.

## UTILISATION

1. Ne jamais raccorder votre gril à gaz à une bouteille de GPL sans le régulateur fourni, et **NE JAMAIS RELIER LE GRIL À UNE SOURCE DE GPL NON-RÉGLMENTÉE.**
2. **Toujours** tester la connexion de la bouteille de GPL et du régulateur pour des fuites en connectant la bouteille de GPL à l'appareil. Voir "Essai d'étanchéité" (page 35).
3. **Ne pas** utiliser l'appareil si vous sentez une odeur de propane. Éteignez la flamme et déterminez la source de GPL avant de procéder. Ne pas allumer l'appareil jusqu'à ce que la fuite de GPL soit identifiée et scellée.
4. **Toujours** éteindre la valve de la bouteille de GPL lorsque l'appareil n'est pas en cours d'utilisation.

1. Tous les modèles sont équipés d'un tuyau et régulateur avec accouplement à fermeture rapide QCC<sup>MD</sup>-1
2. L'accouplement QCC<sup>MD</sup>-1 contient un dispositif de limitation du débit magnétique, qui réduira le débit de gaz dans le cas d'une fuite entre le régulateur et la valve de l'appareil. Ce dispositif s'activera si la valve de la bouteille est ouverte lorsque les valves de l'appareil sont ouvertes. **Afin de prévenir l'activation accidentelle, assurez-vous que les valves de l'appareil soient fermées avant d'ouvrir la valve de la bouteille.**
3. L'accouplement QCC<sup>MD</sup>-1 incorpore une manivelle sensible à la chaleur qui causera la fermeture de la valve QCC<sup>MD</sup>-1 sous des températures entre 240° et 300°F. Si cela se produit, ne pas tenter de reconnecter la manivelle. Enlevez l'assemblage du tuyau/régulateur et remplacez-le.
4. Le régulateur de pression est réglé à 11 pouces CE (colonne d'eau) et ne fonctionne qu'avec le GPL. Le tuyau et les accouplements de tuyau sont conformes à la norme CGA CAN 1.83. Ne pas tenter de modifier ni substituer ce produit.
5. Protéger le tuyau contre la graisse et **ne pas laisser le tuyau entrer en contact avec une surface chaude**, y compris la fonte de base du gril.
6. Inspecter le joint dans valve QCC<sup>MD</sup> de la bouteille en remplaçant la bouteille de GPL, ou une fois par année ou selon la première éventualité. Remplacer le joint en cas de craquement, plis ou abrasion.
7. Inspecter le tuyau avant chaque utilisation du gril. Ne pas utiliser l'appareil dans le cas où le tuyau est craqué, coupé, abrasé ou endommagé.
8. Pour la réparation ou le remplacement de l'assemblage du tuyau/régulateur, veuillez contacter le service à la clientèle au 1-800-265-2150 ou info@omcbbq.com.

## CONNEXION

1. Assurez-vous que la valve de la bouteille et les valves de l'appareil soient fermées "OFF."
2. Placez la pleine bouteille de GPL dans la chambre de bouteille, et sécurisez la base selon directives d'assemblage.
3. Centrez le mamelon dans la valve de la bouteille et le tenir place. Avec l'autre main, tournez la manivelle dans le sens horaire jusqu'à ce qu'elle s'arrête. **Ne pas vous servir d'outils. Serrer à la main seulement. En réalisant la connexion, tenez le régulateur en ligne avec la valve de la bouteille, afin de ne pas croiser la connexion.**
4. Testez les connexions pour l'étanchéité. Voir "Essai d'étanchéité" (Pages 35).
5. Consultez les directives d'allumage. **Pour éviter l'activation du dispositif de limitation du débit en allumant l'appareil, veuillez ouvrir la valve de la bouteille lentement avec les valves l'appareil fermées.** Si le dispositif de limitation du débit est accidentellement activé, veuillez éteindre la valve de la bouteille et les valves de l'appareil, patienter 10 secondes pour permettre la réinitialisation du dispositif, ouvrir la valve de la bouteille lentement, et ensuite ouvrir la valve de l'appareil.

## DÉCONNEXION

Toujours fermer la valve de GPL et enlever l'écrou d'accouplement avant de déplacer la bouteille de la position de fonctionnement précisée.

# INSTALLATION – TUYAU DE GAZ PROPANE OU GAZ NATUREL FIXE

## EMPLACEMENT DU TUYAU DE GAZ

Les tuyaux d’approvisionnement de gaz de pétrole liquéfié et de gaz naturel doivent être installés par un professionnel qualifié.

**Remarque:** Fournit un accès dans l’enclos pour l’entretien de la source de gaz et le régulateur.

**Remarque:** La zone doit être exempte de surfaces tranchantes ou abrasives pour éviter tout dommage aux tuyaux d’alimentation de gaz. Faites preuve de prudence lorsque vous passez des conduites de gaz à travers l’enclos du gril intégré.

## SPÉCIFICATIONS POUR TUYAUTERIE

- L’installation doit avoir un tuyau rigide, un tuyau semi-rigide ou un raccord conforme à la norme sur les connecteurs pour les appareils à gaz extérieurs et les maisons préfabriquées, ANSI Z21.75•CSA 6.27 et qui convient aux installations extérieures
- Les raccords de gaz doivent être solidement fixés à une construction rigide et permanente
- Un raccord à sertir SAE de 45 degrés et 3/8 po a été fourni. N’utilisez pas de pâte à joint sur ce raccord
- Un robinet d’arrêt doit être installé à l’extérieur, et être accessible depuis l’extérieur de l’enclos intégré.
- Pour le propane et le gaz naturel en vrac, un autre robinet d’arrêt intérieur doit être installé dans la ligne de carburant dans un endroit accessible près de la ligne d’alimentation

## CONNEXION À UNE SOURCE DE GPL AUTONOME ÉLOIGNÉE

- Les grils au GPL sont conçus pour fonctionner à une pression réglementée de 11 po de colonne d’eau
- **Un régulateur de pression de GPL en ligne pour les installations de propane en vrac est nécessaire pour maintenir la pression de colonne d’eau de 11 pouces. (non fourni)**
- Le raccord de gaz entre le collecteur et la cloison d’alimentation en gaz ne doit pas dépasser 72 po (182 cm)
- Lorsque le gril n’est pas en cours d’utilisation, fermez le gaz naturel au robinet d’arrêt

## RACCORDEMENT À L’ALIMENTATION EN GAZ NATUREL

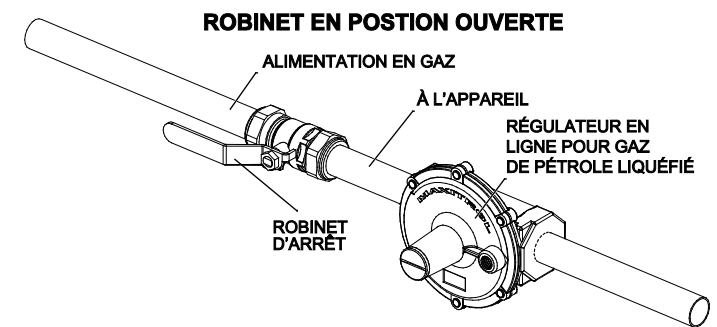
- Si le gril est conçu pour fonctionner au gaz naturel, n’utilisez pas de propane liquide (gaz en bouteille). Les vannes, orifices, et tuyaux sont pour le gaz naturel uniquement
- Les grils au gaz naturel sont conçus pour fonctionner à une pression régulée de 7 po de colonne d’eau
- Le tuyau d’alimentation entre le collecteur et la cloison d’alimentation en gaz ne doit pas dépasser 120 po (182 cm)
- Le gaz doit être fermé à la source de gaz naturel lorsque le gril n’est pas en cours d’utilisation
- Lorsque le gril n’est pas en cours d’utilisation, fermez le gaz naturel au robinet d’arrêt

## ESSAI DE L’ALIMENTATION EN GAZ

- Le gril à gaz extérieur et son robinet d’arrêt individuel doivent être débranchés du système d’alimentation en gaz pendant tout essai de pression du système à des pressions dépassant 1/2 lb/po<sup>2</sup> (3,5 kPa)
- Le gril à gaz extérieur doit être isolé du système d’alimentation en gaz en fermant son robinet d’arrêt manuelle pendant les essais de pression du système de tuyaux d’alimentation en gaz à une pression égale ou inférieure à 1/2 lb/po<sup>2</sup> (3,5 kPa)

## TUYAU D’ALIMENTATION EN GAZ

- Sur les modèles équipés d’un tuyau de rallonge, le tuyau est spécialement conçu pour votre modèle. Ne pas tenter de faire des modifications ou des ajouts. Les tuyaux et les raccords sont conformes à la norme CGA CAN 1.83
- Sur les modèles équipés d’un raccord à “déconnexion rapide”, fermez le “robinet d’arrêt” avant de déconnecter le raccord
- Le raccord à “déconnexion rapide” doit être gardé propre et exempt de saletés et débris
- Protégez le tuyau contre les éclaboussures de graisse et ne pas permettre au tuyau de toucher n’importe quelle surface chaude, y compris la coquille de base du gril e
- Inspecter le tuyau au moins une fois par année. Si le tuyau est fissuré, coupé, usé ou endommagé, l’appareil ne doit pas être utilisé
- Pour le remplacement du tuyau, contactez votre revendeur ou centre de service agréé



- A. TUYAUTERIE D’ALIMENTATION EN GAZ
- B. RACCORD À DÉCONNEXION RAPIDE
- C. ADAPTATEUR DE RACCORD
- D. ENSEMBLE DE TUYAU DE RALLONGE

# TEST D'ÉTANCHÉITÉ

Toutes les connexions réalisées en usine ont été rigoureusement testées pour des fuites de gaz. Cependant, les raccords de gaz peuvent s'avoir desserrés pendant l'expédition.

## PRÉCAUTION DE SÉCURITÉ:

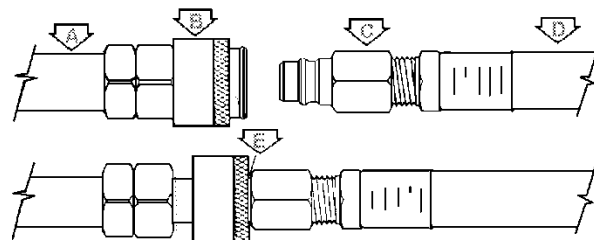
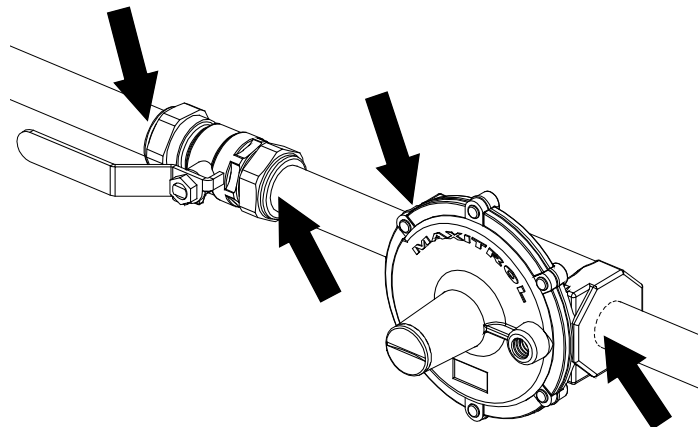
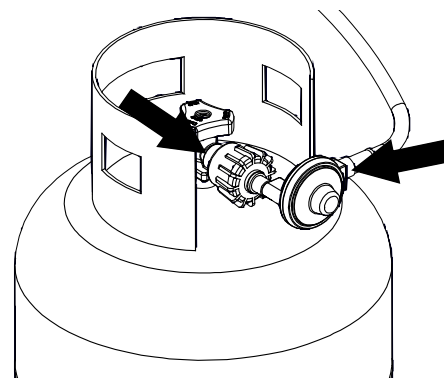
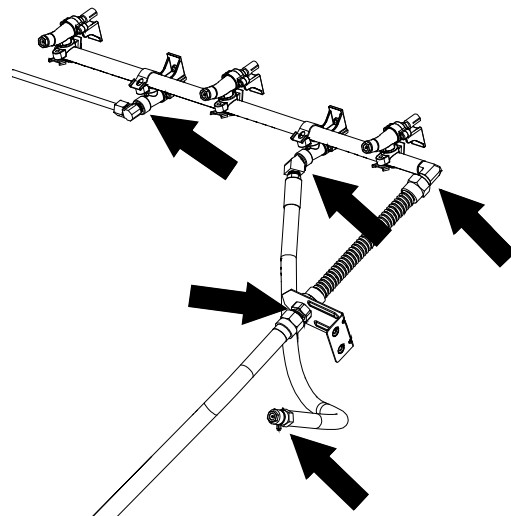
- Tester tous les raccords pour des fuites avant d'utiliser votre gril à gaz
- Tester pour des fuites chaque fois que vous connectez et reconnectez un raccord de gaz, une fois par année ou après toute période d'inactivité prolongée
- Ne pas fumer en effectuant l'essai
- Ne jamais tester pour des fuites avec une allumette enflammée ou une flamme exposée.
- Tester pour des fuites en extérieur seulement

## POUR TESTER POUR DES FUITES:

1. Préparer une solution d'eau savonneuse composée d'une moitié d'eau et d'une moitié de détergent liquide.
2. Éteindre toute flamme exposée ou cigarettes dans la zone environnante.
3. Vous assurer que les valves de gaz soient dans la position fermée "OFF"
4. Vous assurer que la valve de la bouteille ou la valve d'alimentation de gaz soit dans la position fermée "OFF"
5. Avec une pleine bouteille de gaz, ouvrir lentement la bouteille ou ouvrir la valve de gaz.
6. Brosser la solution d'eau savonneuse sur chaque raccord.
7. S'il existe une fuite, vous verrez des bulles provenant d'un point de fuite.
8. Si une fuite est détectée, fermez la valve d'arrêt de la bouteille de gaz, serrez la connexion et testez de nouveau.
9. Si la fuite persiste, veuillez contacter votre détaillant de grils à gaz pour de l'aide. Ne pas tenter d'utiliser l'appareil si une fuite est présente.

## Si votre gril à gaz est équipé d'un brûleur latéral ou brûleur arrière:

1. Suivez les étapes 1 à 5 ci-dessus
2. Placez le doigt au-dessus de l'orifice à l'extrémité du tuyau.
3. Réglez la commande "CÔTÉ" / "ARRIÈRE" à "ÉLEVÉ" ("HIGH")
4. Brossez une solution savonneuse sur chaque raccord entre l'orifice et le robinet de contrôle.
5. Tournez la commande de "CÔTÉ" / "ARRIÈRE" à "ARRÊT" ("OFF")



- A. TUYAUTERIE D'ALIMENTATION EN GAZ
- B. RACCORD À DÉCONNEXION RAPIDE
- C. ADAPTATEUR DE RACCORD
- D. ENSEMBLE DE TUYAU DE RALLONGE
- E. TEST DE FUITE ICI

# TUYAUX VENTURI

- Assurez-vous que les tuyaux venturi soient toujours propres
- Les blocages des tuyaux venturis causés par des araignées, insectes et nids d'animaux peuvent causer une poussée de flammes
- Même lorsque l'allumeur s'allume, le gaz peut s'accumuler et causer un feu autour des tuyaux de venturi au panneau de commande ou au brûleur latéral



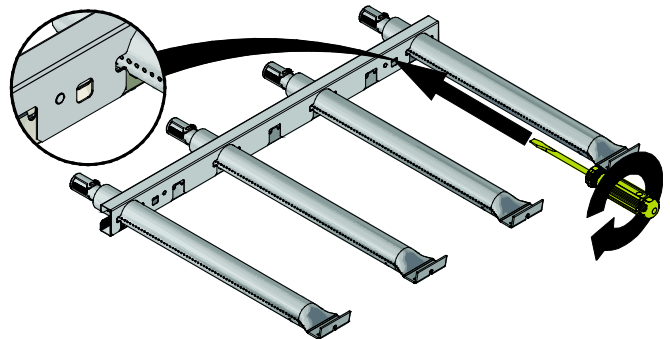
TUBE VENTURI TOILE D'ARAIGNÉE BRÛLEUR TUBULAIRE

**Dans le cas d'une poussée de flammes, éteignez la source d'alimentation en gaz immédiatement**  
**Inspectez et nettoyez les tuyaux venturi (brûleur principal, brûleur latéral, brûleur arrière) si vous observez les problèmes suivants:**

1. Odeur de gaz.
2. Votre gril à gaz n'atteint pas la bonne température.
3. Votre gril à gaz chauffe inégalement.
4. Les brûleurs produisent un bruit d'explosion.

## INSPECTION ET NETTOYAGE DES TUYAUX VENTURI

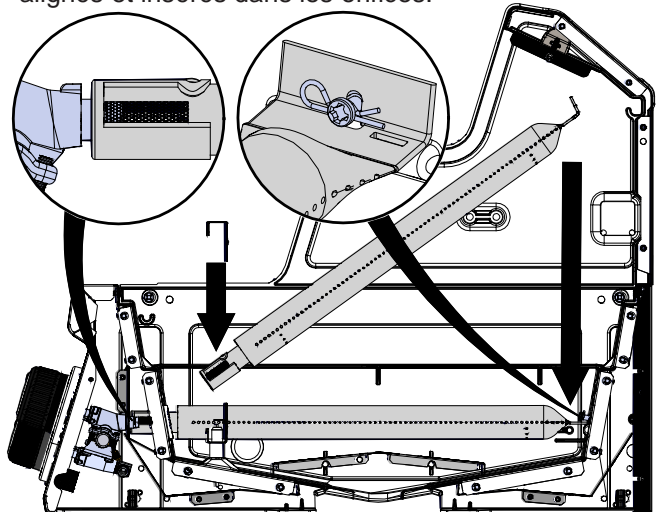
1. Assurez-vous que la soupape de la bouteille ou le robinet d'alimentation en gaz est réglé à la position "OFF".
2. Lorsque le gril à gaz est froid, enlevez les attaches de brûleur et la partie supérieure de la boîte du collecteur. Sortez le brûleur du boîtier du gril à gaz.



3. Nettoyez les tuyaux venturi avec une brosse à tuyau ou un outil de nettoyage pour tuyaux venturi (accessoire #77310 ou #18270).



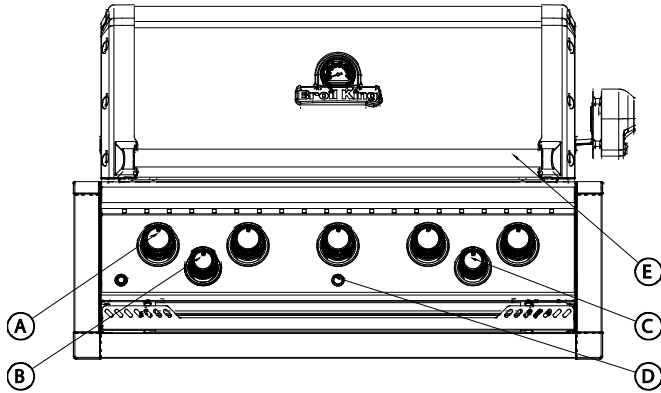
4. Insérez le brûleur dans le boîtier du gril à gaz, en vous assurant que les tuyaux venturi soient correctement alignés et insérés dans les orifices.



5. Sécurisez les brûleurs à l'aide des attaches de brûleur. Encliquez la boîte du collecteur en place

# ALLUMAGE

## COMPOSANTS DE BASE DU GRIL À GAZ



- A. Commandes de brûleur principal  
B. Commandes du brûleur latéral  
C. Commandes du brûleur arrière  
D. Allumeur  
E. Poignée

## DIRECTIVES D'ALLUMAGE

- L'appareil doit être assemblé selon les directives d'assemblage
  - Assurez-vous que la bouteille de GPL soit pleine et correctement connectée au régulateur. Voir: "Tuyau et Régulateur" (Page 33)
  - Assurez-vous qu'il n'y ait aucune fuite de gaz dans le système d'alimentation en gaz. Voir: "Test d'étanchéité" (Pages 35)
  - Assurez-vous que les tuyaux venturi soient correctement placés au-dessus de l'orifice de la valve de gaz. (voir schéma des tuyaux venturi, page 36)
  - Assurez-vous que les fils d'allumage du brûleur principal, brûleur latéral et brûleur arrière soient raccordés
  - Vérifiez que la pile a été installée dans l'allumeur électronique
  - Lisez attentivement toutes les directives sur la plaque signalétique apposée sur le gril à gaz
1. **Toujours ouvrir le couvercle avant l'allumage**
  2. **Ne pas vous pencher au-dessus du gril à gaz pendant l'allumage**
  3. Réglez le cadran de commande à "OFF" et ouvrez l'alimentation en gaz.

## ALLUMAGE DU BRÛLEUR PRINCIPAL:

### Pour allumer le brûleur avec l'allumeur:

4. Appuyez et tournez l'un des cadrans de commande principaux à la position "HIGH."
5. Appuyez et maintenez le bouton d'allumage.
6. Le brûleur devrait s'allumer en 5 secondes; éteignez la source de gaz immédiatement si le gril à gaz ne s'allume pas dans ce délai.

### Pour allumer le brûleur avec une allumette:

4. Utilisez le porte-allumette et placez l'allumette enflammée sur le port.
5. Appuyez et tournez l'un des cadrans de commande principaux à la position "HIGH."
6. Le brûleur devrait s'allumer en 5 secondes; éteignez la source de gaz immédiatement si le gril à gaz ne s'allume pas dans ce délai.
7. Après que le premier brûleur est allumé, appuyez et maintenez le cadran du brûleur principal adjacent à "HIGH" et répétez pour les autres brûleurs; ceux-ci devraient s'allumer automatiquement sans l'allumeur.

Remarque : En cas de conditions venteuse, allumez chaque brûleur individuellement.

## ALLUMAGE DU BRÛLEUR LATÉRAL:

### Pour allumer le brûleur avec l'allumeur:

4. Appuyez et tournez l'un des cadrans de commande principaux à la position "HIGH."
5. Appuyez et maintenez le bouton d'allumage.
6. Le brûleur devrait s'allumer en 5 secondes.

### Pour allumer le brûleur avec une allumette:

4. Placez l'allumette enflammée sur les ports des brûleurs.
5. Appuyez et tournez l'un des cadrans de commande principaux à la position "HIGH."
6. Le brûleur devrait s'allumer en 5 secondes.

Remarque : Les casseroles sur le brûleur latéral ne devraient pas avoir un diamètre supérieur à 9 po (23 cm) ou un poids supérieur à 15 lb (7 kg).

## ALLUMAGE DU BRÛLEUR RÔTISSOIRE ARRIÈRE:

**Avertissement : Ne pas utiliser le brûleur principal et le brûleur arrière en même temps.**

- **RETIREZ LA GRILLE DE RÉCHAUD**

### Pour allumer le brûleur avec l'allumeur:

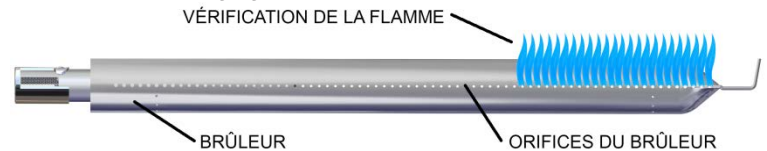
4. Appuyez et tournez l'un des cadrans de commande principaux à la position "HIGH."
5. Appuyez et maintenez le bouton d'allumage.
6. Le brûleur devrait s'allumer en 5 secondes.

### Pour allumer le brûleur avec une allumette:

4. Placez l'allumette enflammée sur les ports des brûleurs.
5. Appuyez et tournez l'un des cadrans de commande principaux à la position "HIGH."
6. Le brûleur devrait s'allumer en 5 secondes.

### MISE EN GARDE : Vérifiez votre gril à gaz après l'allumage.

Tous les ports des brûleurs devraient produire une flamme de 1 po (2,5 cm) sur le réglage "HIGH."



**Si vous observez tous les problèmes suivants, les tuyaux venturi sont probablement bloqués. Éteignez immédiatement l'alimentation en gaz, et nettoyez les tuyaux venturi. Voir "Tuyaux venturi" (Page 36).**

- Il y a une odeur de gaz
- Une poussée de flamme
- Votre gril à gaz chauffe inégalement
- Les brûleurs produisent un bruit d'explosion

## SI UN BRÛLEUR NE S'ALLUME PAS:

- Appuyez et tournez le cadran de commande dans la position "OFF." Patientez 5 minutes et essayez de nouveau avec le cadran de commande réglé à "MEDIUM"
- Si vous ne réussissez pas à allumer le brûleur, voir "Dépannage" à la page 43. Si le problème persiste, ne pas tenter d'utiliser l'appareil; veuillez contacter OMC, votre détaillant ou un centre de service approuvé

## ARRÊT:

1. Fermez la valve de la bouteille de GPL ou la valve de gaz.
2. Tournez le cadran de commande à la position "OFF."

# UTILISATION

## AVERTISSEMENT

**NE JAMAIS** couvrir les fentes, les trous ou les passages à l'avant ou au fond du gril, ni couvrir une grill entière avec un matériel tel que du papier d'aluminium. Cela bloque la circulation d'air à travers le gril et peut causer la surchauffe ou l'intoxication au monoxyde de carbone.

### Première utilisation

Avant de cuisiner avec votre gril pour la première fois, allumez-le pour brûler toute odeur ou corps étranger, comme suit:

- Enlevez et nettoyez les grilles de cuisson et les Flav-R-Waves<sup>MC</sup> avec un savon doux et de l'eau
- Avec grilles et Flav-R-Waves<sup>MC</sup> retirés, allumez le gril à gaz en suivant les instructions d'allumage (voir Page 15) et faites fonctionner le gril de gaz sur feu **“Moyen”** pendant **30 minutes**. Ensuite, fermez l'alimentation en gaz et tournez tous les cadrans à la position **“OFF/ARRÊT”**
- Laissez les grilles refroidir, puis remplacez les Flav-R-Waves<sup>MC</sup>
- Assaisonnez les grilles de cuisson en les enduisant d'une huile de cuisson traitée à froid avec un point de fumée élevé, allumez le gril et faites-le fonctionner sur feu moyen/bas pendant 30 minutes
- Huiles de cuisson recommandées:
  - Huile d'avocat – point de fumée (260C/500F)
  - Huile de riz – point de fumée (255C/490F)
  - Huile de Canola - point de fumée (204C/400F)
- Vous êtes maintenant prêt(e) à faire griller votre repas. Passez au **“Préchauffage”**

### Préchauffage

- **Préchauffer le gril à MOYEN pendant 15 minutes**
- Nettoyer les grilles froides à l'aide d'une brosse en nylon (article #65643) ou les grilles chaudes avec une brosse métallique en acier inoxydable (articles 65225, 64014, 64034) inspecter soigneusement pour assurer qu'il ne reste aucune soie brisée sur les grilles
- Enduire les grilles d'une huile de cuisson avec un point de fumée élevé
- Réglez la chaleur en fonction des aliments que vous faites griller

### Position du couvercle

La position du couvercle pendant la cuisson est une question de préférence personnelle mais le gril cuit plus rapidement, utilise moins de propane et contrôle mieux la température lorsque le couvercle est fermé. Un couvercle fermé donne aussi un goût plus fumé aux viandes cuites directement sur les grilles et est aussi indispensable pour la fumaison ou la cuisson à convection.

### Systèmes de vaporisation

Votre gril est conçu pour fonctionner avec le système de vaporisation Flav-R-Wave<sup>TM</sup> compris. Ne pas utiliser de pierres de lave, de briquettes en céramique ou tout autre système de vaporisation autre que celui fourni avec votre gril à gaz.

## TEMPÉRATURES DE CUISSON

Les grils à gaz BROIL KING sont:

- Des appareils performants pouvant atteindre des températures de braisage élevées
- Conçu avec débit d'air contrôlé pour conserver la chaleur et minimiser la consommation de carburant

**Vous aurez rarement, voire jamais, besoin d'utiliser le réglage élevé pour la cuisson de longue durée ou le préchauffage.**

### Réglage Élevé

Produit des températures sur la grille de cuisson d'environ 700° F (750° C) avec le couvercle fermé.

Utiliser le réglage élevé seulement:

- Pour un réchauffement rapide
- Dans des conditions froides ou venteuses en grillant avec le couvercle élevé
- Pour braiser rapidement des biftecks avant de réduire la température
- Pour brûler des résidus de nourriture sur les grilles de cuisson et les Flav-r-Wave avant de les nettoyer (maximum de 10 minutes)

### Moyen/Élevé

Produit des températures sur la grille de cuisson d'environ 600° F (320° C) avec le couvercle fermé.

Utilisez le réglage moyen/élevé pour:

- Préchauffer le gril avant de cuire des biftecks
- Griller des biftecks saignants et à point

### Moyen

Produit des températures sur la grille de cuisson d'environ 450° F (230° C) avec le couvercle fermé.

Utilisez le réglage moyen pour:

- Griller des biftecks à point et moyens
- Griller des côtelettes, hamburgers et légumes

### Moyen/bas

Produit des températures sur la grille de cuisson d'environ 400° F (200° C) avec le couvercle fermé.

Utilisez le réglage moyen/bas pour:

- Griller des morceaux de poulet, saucisses, poisson
- Rôtir, faire cuire
- Griller de la pâte et des pâtisseries telles que les quesadillas

### Faible

Produit des températures sur la grille de cuisson d'environ 310- 350° F (155-175° C) avec le couvercle fermé.

Utilisez le réglage faible pour:

- Rôtir ou fumer lentement de gros morceaux de viande, du poisson délicat, des pâtisseries et de la pâte

**Les températures sont approximatives et varient selon la température extérieure et la quantité de vent.**

# TECHNIQUES DE CUISSON

## CUISSON DIRECTE

La cuisson directe est une méthode qui cuit les aliments sur les grilles au-dessus d'un brûleur allumé. Il s'agit de la méthode la plus populaire de cuire les portions individuelles telles que les biftecks, côtelettes, poisson, hamburgers, brochettes et légumes.

1. Préparer la nourriture d'avance pour éviter les délais dans la coordination du repas. Si vous utilisez une marinade ou des épices, appliquer avant de placer la viande sur la grille de cuisson. Si vous badigeonnez, faites-le de 2 à 4 minutes avant la fin de la cuisson pour éviter la carbonisation.
2. Les fourchettes, pinces, gants, sauces et assaisonnements devraient être placés à proximité afin de ne pas devoir quitter le gril pendant la cuisson.
3. La viande doit être à la température de la pièce avant la cuisson. Enlever le surplus de graisse de la viande pour minimiser les flambées causées par les égouttements de graisse.
4. Préchauffer le gril à la température désirée avec le couvercle fermé.
5. Enduire les grilles d'huile d'olive ou végétale pour prévenir que les aliments ne s'adhèrent aux grilles.
6. Ne pas saler la viande pendant la cuisson sur le gril. La viande demeure plus juteuse si on ajoute le sel après la cuisson.
7. Pour éviter des biftecks "secs" utiliser des pinces plutôt qu'une fourchette et commencer la cuisson à "MEDIUM/HIGH" pour saisir la viande et sceller la saveur. Réduire la chaleur et allonger la durée de cuisson pour griller des tranches de viande plus épaisses.
8. Apprenez à vérifier si la viande est prête selon le temps de cuisson et son apparence. La viande s'affermie en cuisant. Un bifteck mou est saignant, un bifteck ferme est bien cuit.
9. Suivez le guide de grillade du bifteck parfait pour la plupart des viandes, poissons, volailles et légumes.

GUIDE DE GRILLADE DIRECTE				
	1 PO D'ÉPAISSEUR	RÉGLAGE DE CHALEUR	TEMPS PAR CÔTÉ	TOTAL MINUTES
POULET	MOYEN / BIEN CUIT	MOYEN / FAIBLE	4 / 4 / 4 / 4	16
AILES DE POULET	MOYEN / BIEN CUIT	MOYEN / FAIBLE	5 / 5 / 5 / 5	20
HAMBURGER	MOYEN	MOYEN / FAIBLE	3 / 3 / 3 / 3	12
HAMBURGERS 3/4 PO CONGELÉS	MOYEN	MOYEN / FAIBLE	3 / 3 / 3 / 3	12
FILET DE POISSON	MOYEN	MOYEN	2 / 2 / 2 / 2	8 - 10
QUEUES DE HOMARD DIVISÉES	MOYEN	MOYEN	4 / 4 / 4 / 4	16 - 20
<b>UTILISEZ LA TECHNIQUE DE CUISSON DU BIFTECK PARFAIT</b>				

### GUIDE POUR LA GRILLADE DU BIFTECK PARFAIT

DÉPOSEZ LE BIFTECK À ANGLE SUR UNE GRILLE CHAUDE.

RETOURNEZ LE BIFTECK COMME ILLUSTRÉ CI-DESSOUS.

RETOURNEZ LE BIFTECK UNE DEUXIÈME FOIS.

RETOURNEZ LE BIFTECK UNE DERNIÈRE FOIS.

Épaisseur de la viande		Réglage de chaleur	Temps de cuisson par côté				Temps total
1½"	1"		A	B	C	D	
	Rare	Haut	1¼	1¼	1¼	1¼	7 minutes
Saignant	Mi-saignant	Moyen/Haut	2	2	2	2	8 minutes
Mi-saignant	Moyen	Moyen/Haut	2¼	2¼	2¼	2¼	9 minutes
Moyen	Bien cuit	Moyen	2½	2½	2½	2½	10 minutes
Bien cuit		Moyen	3	3	3	3	12 minutes

# TECHNIQUES DE CUISSON

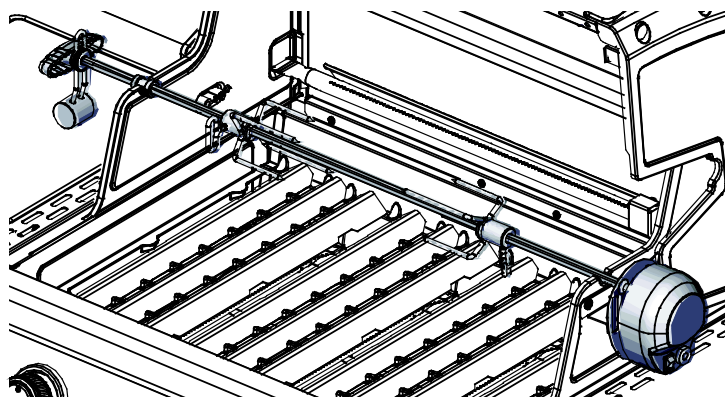
## CUISSON INDIRECTE À LA CONVECTION

Cette méthode est idéale pour cuire de grosses coupes de viandes comme des rôtis ou des volailles. La viande est cuite par l'air chaud qui circule autour des aliments.

- Pour la plupart des cuissons à convection avec ou sans tournebroche, on recommande l'utilisation d'un plateau d'égouttement pour capter les jus de cuisson. Placer le plateau d'égouttement sur le Flav- R-Wave, sous le centre des aliments. Verser un demi à un pouce d'eau dans le plateau d'égouttement. Pour plus de saveur, ajouter du jus de fruit, du vin ou une marinade. Ne pas laisser le liquide s'évaporer complètement du plateau d'égouttement.
- On recommande de fermer le couvercle et de cuire à basse température pour la cuisson par convection sans tournebroche. Tous les brûleurs peuvent être réglés à feu bas ou les brûleurs extérieurs à feu moyen, et le(s) brûleur(s) du centre éteint(s). En fermant les brûleurs du centre, on évite que le liquide dans le plateau d'égouttement ne brûle.
- Avant de placer la viande sur le gril, badigeonnez d'huile végétale pour dorer la viande.
- La cuisson indirecte sans plateau d'égouttement est déconseillée. Si vous le faites, soyez prudent(e) car les jus de cuisson pourraient causer un feu de graisse.
- Éteindre le gril et laisser refroidir avant d'enlever le plateau d'égouttement. Les jus de cuisson sont hautement inflammables et doivent être manipulés avec soin pour éviter les blessures.
- Pour une cuisson à convection de rôtis et de volaille sans tournebroche, placer la viande sur une rôtissoire directement sur les grilles de cuisson.

## CUISSON AU TOURNEBROCHE

Suivre les étapes de la cuisson indirecte à convection.



- Le tournebroche peut accommoder jusqu'à 15 lb (7 kg) de viande, limité seulement par l'espace de rotation. Pour de meilleurs résultats, installer la viande au centre de la broche afin qu'elle soit bien équilibrée.
- Si l'espace le permet, le tournebroche peut être utilisé avec les grilles de cuisson en place.
- Bien attacher la viande sur la broche avant de l'installer sur le gril. Pour la volaille, attacher fermement les ailes et les cuisses.

## CUISSON AU TOURNEBROCHE AVEC BRÛLEUR ARRIÈRE

- Certains modèles sont équipés d'un brûleur arrière pour la cuisson au tournebroche. Cette méthode offre des résultats supérieurs pour la cuisson de rôtis et de volaille. Puisque la source de chaleur est située à l'arrière, il n'y aura pas de flambée causée par l'égouttement des jus de cuisson. Un plat ou un plateau d'égouttement placée sous la broche permettra de recueillir les jus pour l'arrosage ou la préparation d'une sauce.
- Le brûleur arrière à ressort peut être facilement enlevé lorsqu'il n'est pas utilisé.
- Pour le fonctionnement du brûleur arrière, voir "Allumage du brûleur arrière." (Page 37)

GUIDE POUR LA CUISSON À CONVECTION ET AU TOURNEBROCHE			
RÔTI DE BOEUF	3 - 6 Lb.	MOYEN/BAS	2 - 4 HRS
RÔTI DE BOEUF	6 - 10 Lb.	MOYEN/BAS	3 - 5 HRS
RÔTI DE PORC	2 - 5 Lb.	MOYEN/BAS	2 - 4 HRS
RÔTI DE PORC	6 - 10 Lb.	MOYEN/BAS	3 - 5 HRS
DINDE OU POULET	2 - 5 Lb.	MOYEN/BAS	2 - 4 HRS
DINDE OU POULET	5 - 10 Lb.	MOYEN/BAS	3 - 5 HRS
QUAND VOUS UTILISEZ LE BRÛLEUR ARRIÈRE, RÉGLER À MOYEN / HAUT			

GUIDE DE TEMPÉRATURE DES VIANDES			
	SAIGNANT	MOYEN	BIEN CUIT
BOEUF / AGNEAU / VEAU	130°F / 55°C	146°F / 63°C	160°F / 70°C
PORC		150°F / 65°C	170°F / 77°C
VOLAILLE			170°F / 77°C
HAMBURGER			160°F / 70°C
POUR DE MEILLEURS RÉSULTATS, UTILISEZ UN THERMOMÈTRE À VIANDE			

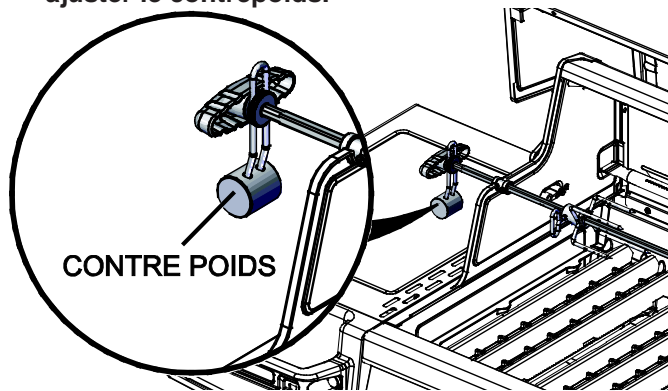


# TECHNIQUES DE CUISSON

## ÉQUILIBRER LE TOURNEBROCHE

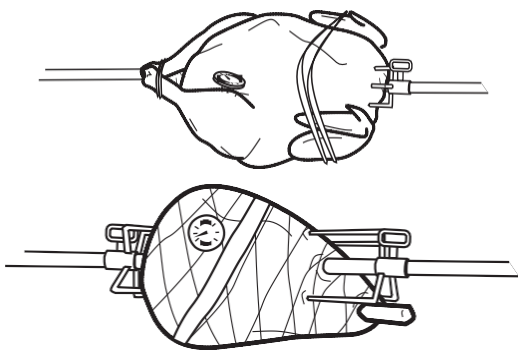
1. Desserrer la poignée de la broche pour permettre au contrepoids de balancer librement.
2. Placer la broche dans les coches du boîtier du gril. Permettre au côté le plus lourd de la viande de pivoter vers le bas.
3. Ajuster le contrepoids sur le dessus de la broche, à l'opposé du côté le plus lourd de la viande.
4. Serrer la poignée. Vérifier périodiquement que la viande tourne uniformément lors de la cuisson. Ajuster le contrepoids au besoin.

**MISE EN GARDE:** utiliser des gants de cuisine pour ajuster le contrepoids.



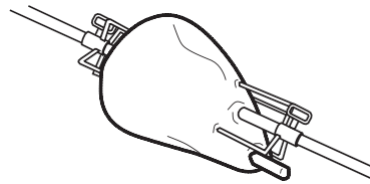
## COMMENT UTILISER UN THERMOMÈTRE À SONDE

1. La façon précise de déterminer qu'une grosse coupe de viande est cuite est d'utiliser un thermomètre à sonde. Insérer le bout métallique obliquement au centre de la viande, dans la partie la plus épaisse. **Veiller à ne pas toucher d'os ou la broche et vous assurer que la sonde est installée dans la chair, et non le gras. Vous remarquerez beaucoup moins de résistance lorsque le thermomètre sonde du gras.**



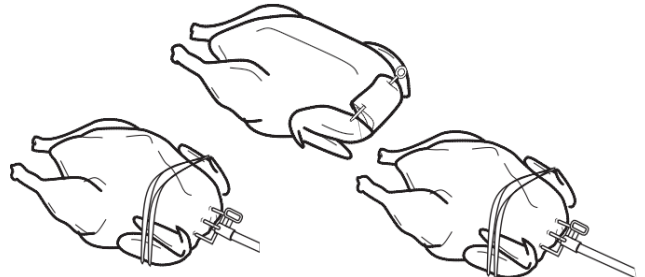
2. Quand le thermomètre indique la température désirée, la viande est cuite. Ajouter vos sauces dans les dernières minutes de cuisson. Laisser reposer la viande 15 minutes afin qu'elle se raffermisse. Découper et servir.
- Volaille: insérer le bout du thermomètre dans la partie la plus épaisse de la cuisse, près du corps.
  - Jambon ou rôtis: insérer le bout du thermomètre au centre de la section la plus épaisse de la viande.

## UTILISER UNE BROCHE POUR UN GIGOT D'AGNEAU



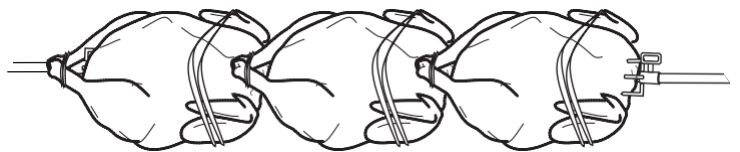
1. Faire scier 3 po (8 cm) d'os de la petite partie du gigot.
2. Laisser la viande autour de l'os intacte pour former un rabat.
3. Placer une fourchette sur la broche.
4. Replier le rabat et passer la broche à travers le rabat et le gigot.
5. Placer une deuxième fourchette sur la broche et insérer les deux fourchettes à chaque extrémité du gigot. Vérifier l'équilibre. Serrer les vis.

## UTILISER UNE BROCHE POUR LA VOLAILLE



1. Poitrine vers le bas, recouvrir la cavité avec la peau du cou.
2. Plier la peau et fixer avec une brochette.
3. Enrouler une ficelle autour de la brochette et attacher.
4. Poitrine vers le haut, attacher les ailes au corps avec une ficelle ou une brochette.
5. Placer une fourchette sur la broche. Insérer la broche dans la peau du cou, parallèle à la colonne vertébrale, ressortir juste au-dessus de la queue.
6. Placer une deuxième fourchette sur la broche et insérer les dents dans la poitrine et la queue. Vérifier l'équilibre. Serrer les vis.
7. Avec de la ficelle, attacher la queue à la broche, croiser les cuisses et attacher à la queue.

## METTRE TROIS POULETS SUR UNE BROCHE



1. Avec une ficelle ou des brochettes, fixer les ailes au corps.
2. Placer une fourchette sur la broche. Placer les poulets sur la broche tel qu'indiqué sur le diagramme ci-dessus.
3. Enrouler une ficelle autour des queues et des cuisses. Fixer à la broche.
4. Placer la deuxième fourchette sur la broche et insérer les dents dans le poulet. Serrer les vis.

# ENTRETIEN

## ENTRETIEN RÉGULIER

Pour assurer un fonctionnement optimal et la sécurité, les composants suivants devraient être inspectés et nettoyés au besoin avant l'utilisation de votre gril à gaz.

### GRILLES DE CUISSON - FONTE, FONTE EN ACIER INOXYDABLE ET TIGE EN ACIER INOXYDABLE LOURDE

Les grilles de cuisson en fonte et fonte d'acier inoxydable en forme de V profonde de BROIL KING<sup>MD</sup> fournissent une rétention de chaleur inégalee et une excellente performance de grillade.

Les grilles métalliques en acier lourd de BROIL KING<sup>MD</sup> offrent une grande durabilité et une bonne rétention de la chaleur, en plus d'une excellente performance de cuisson.

Les grilles en fonte de BROIL KING<sup>MD</sup> sont revêtues d'un émail de porcelaine pour protéger les grilles et réduire la tendance des aliments de coller aux grilles. L'entretien et l'utilisation régulière améliore la performance et la longévité des grilles.

Pour une performance optimale:

- Avant la première utilisation et après de longues périodes d'inactivité, lavez les grilles avec un détergent léger et de l'eau et puis rincez et séchez-les avec un essuie-tout ; ne jamais laisser les grilles sécher à l'air ou les mettre au lave-vaisselle.
- Immédiatement après le lavage, assaisonnez les grilles de cuisson en les enduisant d'une huile de cuisson biologique pressée à froid avec un point de fumée élevé, allumez le grill et faites-le fonctionner sur feu moyen/bas pendant 30 minutes. Huiles de cuisson recommandées:
  - Huile d'avocat – point de fumée (260C/500F)
  - Huile de riz – point de fumée (255C/490F)
  - Huile de Canola - point de fumée (204C/400F)
- Avant et après chaque utilisation, récurvez les grilles avec une brosse en acier inoxydable de bonne qualité (articles n° 65225, 64014, 64034) et enduisez-les légèrement d'une huile de cuisson à point de fumée élevé. Ceci poursuivra le processus d'assaisonnement.
- **Utilisez un réglage de chaleur moyen pour le préchauffage afin d'éviter de brûler le revêtement protecteur.**
- Ne pas appliquer des marinades à base de sucre ni saler la viande avant la grillade - faites-le plutôt après la cuisson.
- Utilisez des marinades à base d'huile et évitez les marinades à base d'eau.
- Enduisez légèrement les aliments de l'huile de friture de votre choix avant de les griller.
- Retourner vos grilles périodiquement.
- Assurez-vous que la surface de la grille est toujours enduite d'une légère couche d'huile. Cela empêche la rouille et la détérioration et améliore la performance antiadhésive des grilles.
- En cas de rouille, décalaminez la grille, récurvez-la avec une brosse en acier inoxydable et répétez le processus d'assaisonnement.

Pendant de longues périodes d'inactivité, les grilles devraient être **assaisonnées** et rangées dans un endroit sec. Les grilles peuvent être enveloppées dans une pellicule de plastique alimentaire protectrice. Après une période de rangement, décalaminez les grilles, lavez et séchez-les avec un essuie-tout et répétez le processus d'assaisonnement avec une huile de cuisson à point de fumée élevé.

#### Avertissement:

**Si la grille est chaude, utilisez des mitaines de four et soyez prudent(e) en manipulant la brosse en acier inoxydable. Inspectez les grilles soigneusement après le récurage pour vous assurer qu'il n'y ait aucune soie cassée ou laissée sur la grille.**

### PLATEAU À GRAISSE

Le plateau à graisse est situé dans le tiroir en-dessous du panneau de commande. Le nettoyer régulièrement.

### FLAV-R-WAVE<sup>MC</sup>

Le Flav-R-Wave est conçu pour produire de la fumée et de la vapeur à partir des égouttements de jus, afin de donner une saveur de barbecue authentique tout en protégeant le brûleur. Si des résidus s'accumulent sur le Flav-R-Wave<sup>MC</sup>, enlever les grilles de cuisson et racler les résidus sur le Flav-R-Wave<sup>MC</sup> avec le lève-grille. (Pièce n° 60745)

### NETTOYAGE GÉNÉRAL

Effectuer un brûlage (voir ci-dessous).

Lorsque le gril est froid, enlever les grilles, gratter le Flav-R-Wave et les enlever. Nettoyer l'intérieur du gril à gaz si nécessaire en raclant les côtés et le bas de la zone de cuisson avec le lève-grille et éliminer les résidus avec un aspirateur. La rouille est un processus d'oxydation naturel et elle peut apparaître sur les pièces internes en acier inoxydable. La rouille n'affectera pas les performances de votre gril.

### BRÛLAGE

Allumer les brûleurs, voir "Brûlage" (page 37). Faire fonctionner le gril à feu élevé, couvercle fermé, pendant 10 minutes ou jusqu'à ce qu'il n'y ait plus de fumée. Fermer la source de gaz et tourner les boutons de contrôle à OFF.

### ENTRETIEN ANNUEL

Les composantes suivantes doivent être inspectées et nettoyées au moins une fois par an ou après toute période d'entreposage de plus de 30 jours pour une performance optimale, sécuritaire et efficace.

### BRÛLEUR

Enlever le brûleur et examiner pour des signes de détérioration ou fissures. Nettoyer les tubes venturi à l'aide d'une tige ou d'une brosse à venturi pour éliminer les blocages. Voir "Tubes venturi" (page 36). Pendant que le brûleur est enlevé, nettoyer l'intérieur du boîtier en grattant les côtés et le fond et ensuite passer l'aspirateur.

### TUYAU

Examiner et remplacer, au besoin. Voir "Tuyau et régulateur". (Page 33)

### COMPOSANTS EXTÉRIEURS EN ALUMINIUM

Si des taches d'oxydation blanches apparaissent, laver l'extérieur du boîtier avec de l'eau et un détergent doux. Bien rincer les surfaces et les essuyer avec un chiffon imbibé d'huile de cuisson pour leur redonner leur lustre. Pour réparer les égratignures ou les marques sur la peinture, retoucher avec une peinture à pulvériser de bonne qualité pour surfaces à HAUTE température (600°F).

### COMPOSANTS EN ACIER INOXYDABLE ET PORCELAINE

Laver avec une solution d'eau savonneuse. Utiliser un nettoyant à inox pour polir et enlever les taches ou les marques. Les conditions atmosphériques et la chaleur extrême peuvent décolorer le couvercle en acier inoxydable au brun clair. Cette décoloration n'est pas considérée un défaut de fabrication.

### COMPOSANTES EN RÉSINE ET TABLETTES LATÉRALES

Nettoyer avec de l'eau savonneuse.

### PIÈCES DE RECHANGE

Si un problème survient avec le régulateur, le tuyau, les brûleurs, ou les boutons de contrôle, ne tentez pas de les réparer. Pour toute réparation ou pièce de rechange, voir votre détaillant ou un centre de réparation approuvé, ou communiquer avec le fabricant. Pour une performance optimale, n'utilisez que les pièces de rechange BROIL KING<sup>MD</sup>.

### TEST D'ÉTANCHÉITÉ

Quand vous rebranchez une bonbonne aux modèles propane, vérifier s'il y a des fuites. Voir "Test d'étanchéité" (Page 35).

# DÉPANNAGE

PROBLÈME	CAUSE POSSIBLE	ACTION CORRECTIVE
<b>ODEUR DE GAZ</b>	<b>FERMER L'ALIMENTATION EN GAZ IMMÉDIATEMENT. NE PAS UTILISER L'APPAREIL JUSQU'À CE QUE LA FUITE SOIT RÉPARÉE.</b>	
Fuite détectée sur la bouteille, sur le régulateur ou sur une autre connexion.	<ol style="list-style-type: none"> <li>Régulateur desserré.</li> <li>Fuite de gaz dans le tuyau/régulateur ou les valves de commande.</li> </ol>	<ol style="list-style-type: none"> <li>Serrer le raccord et effectuez un "essai d'étanchéité" (page 35)</li> <li>Consulter un centre de service autorisé.</li> </ol>
Flamme en-dessous du panneau de commande. (poussée de flammes)	<ol style="list-style-type: none"> <li>Venturi bloquée.</li> </ol>	<ol style="list-style-type: none"> <li>Enlevez le brûleur, nettoyez la venturi. Voir "Tuyaux venturi" (page 36)</li> </ol>
Flamme de brûleur intermittente ou basse température sur le réglage "High"	<ol style="list-style-type: none"> <li>Le dispositif de surpression a été activé dans le raccord entre la bouteille et le grill.</li> </ol>	<ol style="list-style-type: none"> <li>Fermez la valve de GPL de la bouteille et mettez tous les cadrans de brûleur en position Arrêt (Off). Déconnectez le régulateur de la bouteille. Patientez deux minutes. Rattachez le régulateur à la bouteille. Ouvrez la valve de la bouteille lentement. Patientez une minute. Allumez le grill selon les directives "Allumage" (page 37)</li> </ol>
Le brûleur ne s'allume pas	<ol style="list-style-type: none"> <li>Manque de GPL, l'alimentation en gaz n'est pas raccordée.</li> <li>Mauvais fonctionnement de l'allumeur.</li> <li>Le dispositif de limitation du débit a été activé.</li> <li>Le régulateur n'est pas complètement raccordé à la valve de la bouteille.</li> <li>Une fuite dans le système cause l'activation du dispositif de limitation du débit.</li> <li>La venturi est bloquée.</li> <li>L'orifice est bloqué.</li> <li>Le tuyau est tordu.</li> </ol>	<ol style="list-style-type: none"> <li>Remplissez la bouteille de GPL, et vérifiez les raccords.</li> <li>Essayez d'allumer le brûleur manuellement avec une allumette. Voir "Éclairage" (page 37). Si le brûleur s'allume correctement, il s'agit d'un défaut de l'allumeur. Voir "L'allumeur ne fonctionne pas" ci-dessous.</li> <li>Lire la solution "Flamme de brûleur intermittente ou basse température sur le réglage HIGH" ci-dessus.</li> <li>Serrez la manivelle du régulateur.</li> <li>Testez l'étanchéité des connexions pour identifier des raccords desserrés. Serrez les raccords. Testez l'étanchéité du système.</li> <li>Enlevez le brûleur, nettoyez la venturi et réalignez-le avec l'orifice de la valve. Consulter la page 36 pour de l'aide.</li> <li>Enlevez le brûleur et nettoyez l'orifice avec une aiguille ou un fil mince. Ne pas tenter de percer l'orifice.</li> <li>Redressez le tuyau. Tenir loin de la fonte inférieure.</li> </ol>
L'allumeur ne fonctionne pas	<ol style="list-style-type: none"> <li>La batterie de l'allumeur est épuisée</li> <li>Le fil de l'allumeur n'est pas connecté</li> <li>L'électrode est incorrectement alignée dans le brûleur</li> <li>Mauvais fonctionnement de l'allumeur</li> </ol>	<ol style="list-style-type: none"> <li>Remplacez la batterie</li> <li>Assurez-vous que le fil de l'électrode soit connecté</li> <li>Réalignez l'électrode et nettoyez tous les débris environnants</li> <li>Suivez la procédure "Allumage avec allumette" (page 37)</li> </ol>
Réduction de la chaleur, "bruit d'explosion"	<ol style="list-style-type: none"> <li>Manque de GPL.</li> <li>Venturi bloquée.</li> </ol>	<ol style="list-style-type: none"> <li>Remplissez la bouteille de GPL.</li> <li>Enlevez le brûleur, nettoyez le tuyau venturi, voir "Tuyaux venturi" (page 36) pour de l'aide.</li> </ol>
Points chauds sur la surface de cuisson	<ol style="list-style-type: none"> <li>Venturi bloquée</li> <li>Accumulation de débris sur le Flav-R-Wave</li> </ol>	<ol style="list-style-type: none"> <li>Retirez le brûleur et nettoyez la venturi. Voir "Tubes de Venturi" (page 36) pour de l'assistance.</li> <li>Récurez le Flav-R-Wave et nettoyez-le avec aspirateur</li> </ol>
"Poussées de flammes" ou feux de graisse	<ol style="list-style-type: none"> <li>Accumulation excessive de graisse sur le vaporisateur ou dans la chambre de cuisson du grill à gaz</li> <li>Chaleur excessive.</li> </ol>	<ol style="list-style-type: none"> <li>Récurez soigneusement le Flav-R-Wave et l'intérieur de la chambre de cuisson et aspirez les débris</li> <li>Tournez les cadrans de commande des brûleurs à un réglage inférieur</li> </ol>
Bourdonnement du régulateur	<ol style="list-style-type: none"> <li>Valve de la bouteille ouverte trop rapidement.</li> </ol>	<ol style="list-style-type: none"> <li>Ouvrir la valve de la bouteille lentement.</li> </ol>
Flamme jaune	<ol style="list-style-type: none"> <li>Il est normal que la flamme soit légèrement jaune. Si la flamme est excessivement jaune, il se peut que la venturi soit bloqué.</li> <li>Les ports du brûleur sont bloqués.</li> </ol>	<ol style="list-style-type: none"> <li>Enlevez le brûleur et nettoyez la venturi. Voir "Tuyaux venturi" (page 36) pour de l'aide.</li> <li>Enlevez le brûleur et nettoyez-le avec une brosse à poils doux (p. ex. une brosse à dents).</li> </ol>
Écaillage à l'intérieur du couvercle	<ol style="list-style-type: none"> <li>Ceci est le résultat d'une accumulation de graisse. La surface intérieure du couvercle n'est pas peinte.</li> </ol>	<ol style="list-style-type: none"> <li>Nettoyez avec une brosse à poils rigides ou un grattoir.</li> </ol>
Rouille sur les grilles de cuisson	<ol style="list-style-type: none"> <li>L'émail s'est écaillé</li> </ol>	<ol style="list-style-type: none"> <li>Voir "Entretien" (page 42) pour de l'aide</li> </ol>
L'éclairage du panneau de commande ou du four ne fonctionne pas	<ol style="list-style-type: none"> <li>L'appareil n'est pas raccordé à la source d'alimentation.</li> <li>Convertisseur défectueux.</li> <li>Raccords desserrés ou corrodés.</li> <li>Ampoule brûlée</li> </ol>	<ol style="list-style-type: none"> <li>Raccordez le cordon électrique avec disjoncteur de mise à la terre à l'appareil. Branchez l'appareil dans une prise électrique fonctionnelle.</li> <li>Vérifiez que le débit du convertisseur est 12 V.c.a. Remplacez au besoin.</li> <li>Nettoyez les raccords et assurez-vous que tous les connecteurs sont solidement comprimés.</li> <li>Remplacez les ampoules.</li> </ol>

# GARANTIE

La garantie de Broil King<sup>MD</sup> entre en vigueur à compter de la date d'achat, et se limite à la réparation ou au remplacement gratuit(e) des pièces qui s'avèrent être défectueuses sous des conditions d'utilisation domestique normales.

Au Canada et aux États-Unis, les pièces de remplacement sont expédiées FOB usine.

Dans tous les autres pays, elles sont expédiées FOB le Distributeur de BROIL KING<sup>MD</sup> (veuillez consulter votre concessionnaire pour le nom du distributeur BROIL KING<sup>MD</sup>). Tous les autres coûts sont la responsabilité du propriétaire.

Cette garantie n'est accordée qu'à l'acheteur original indiqué sur le formulaire d'enregistrement de la garantie, et ne s'applique qu'aux produits vendus au détail et utilisés dans le pays d'achat. (Les différents types d'alimentation en gaz nécessitent de différents régulateurs, valves et orifices)

## CE QUI EST COUVERT PAR LA GARANTIE

FOUR	DURÉE DE VIE LIMITÉE
BRÛLEURS	10 ans
AUTRES PIÈCES ET PEINTURE	2 ans

## CE QUI N'EST PAS COUVERT PAR LA GARANTIE

Toutes défaillances ou difficultés au niveau du fonctionnement causées par un accident, l'abus, une mauvaise utilisation, une modification, une mauvaise application, le vandalisme, une mauvaise installation, l'entretien/le service incorrect, ou un manquement à fournir l'entretien régulier, y compris sans limitations les dommages causés par les insectes dans les brûleurs, tel qu'indiqué dans le guide de l'utilisateur.

La détérioration ou les dommages causés par les intempéries telles que la grêle, les ouragans, les tremblements de terre ou les tornades, la décoloration suite à l'exposition directe ou indirecte aux produits chimiques.

Coûts d'expédition ou de transport.

Coûts d'enlèvement ou de réinstallation.

Coûts de main d'œuvre pour l'installation et les réparations.

Coûts des appels de service.

Responsabilité pour les dommages indirects ou consécutifs.

Les grils à gaz censés être utilisés comme un agrément communal ou les grils à gaz non directement utilisés et entretenus par l'acheteur.

## PIÈCES DE REMPLACEMENT

Les "pièces de remplacement BROIL KING<sup>MD</sup> véritables" doivent toujours être utilisées en cas de remplacement. L'installation de différentes pièces annulera automatiquement la garantie ci-dessus.

## BRÛLEURS

La durée de vie des brûleurs BROIL KING<sup>MD</sup> (fabriqués d'acier inoxydable) dépend presque totalement d'une utilisation correcte et d'un bon nettoyage et entretien. Cette garantie ne protège pas contre l'utilisation et l'entretien incorrects. Veuillez consulter la page 42 pour des directives d'entretien des brûleurs.

## GRILLES DE CUISSON REVÊTUES DE PORCELAINE

Toutes les grilles de cuisson en fonte de BROIL KING<sup>MD</sup> sont revêtues de porcelaine émaillée pour faciliter le nettoyage et réduire l'adhésion des aliments sur la grille. La porcelaine agit essentiellement d'un revêtement en verre. Une mauvaise manipulation peut causer l'écaillage de cette finition. Ceci n'affectera pas le fonctionnement ni la performance des grilles. La garantie ne protège pas contre l'écaillage ou la rouille des grilles en raison d'une mauvaise manipulation. Veuillez consulter la section "Entretien" à la page 42 pour les directives d'entretien et de nettoyage.

## SYSTÈMES DE VAPORISATION

Les grils à gaz OMC sont conçus pour l'utilisation avec les systèmes de vaporisation Flav-R-Wave<sup>MC</sup>. L'usage de tout autre produit annulera la garantie.

## FLAV-R-WAVE<sup>MC</sup>

Les composants Flav-R-Wave<sup>MC</sup> sont garantis contre tout défaut de matériel ou la rouille pendant 3 ans sur les modèles Monarch, Signet et Baron, pendant 5 ans sur les modèles Sovereign, Regal et Imperial, et pendant 2 ans sur tous les autres modèles, à compter de la date d'achat. La rouille superficielle n'affectera pas la performance des composants Flav-R-Wave<sup>MC</sup>, et elle n'est pas couverte par la garantie. Veuillez consulter la section "Entretien" à la page 42 pour les directives d'entretien des composants Flav-R-Wave<sup>MC</sup>.

## TRANSPORT

L'expédition est offerte gratuitement pour les commandes de garantie envoyées dans les six (6) mois qui suivent la date d'achat. Après cette période, un frais d'expédition s'appliquera à toutes les commandes de garantie.

## ENREGISTREZ VOTRE GRIL

Vous pouvez enregistrer la garantie de votre gril en ligne sur [www.omcbbq.com](http://www.omcbbq.com) ou en composant le 1-800-265-2150.

## RÉCLAMATIONS DE GARANTIE

Toutes les réclamations de garantie sont traitées directement par BROIL KING<sup>MD</sup>. Les pièces doivent être renvoyées au Service de la garantie de BROIL KING<sup>MD</sup>, les frais d'expédition prépayés, accompagnées du n° de modèle et de série, et si votre gril n'est pas enregistré, de la preuve d'achat (copie du reçu de vente ou de la facture). Dans le cas où l'inspection confirme une défaillance, BROIL KING<sup>MD</sup> réparera ou remplacera la pièce en question selon les provisions de la garantie. Sur la réception d'une lettre ou d'une télécopie (non par téléphone) et à sa propre discrétion, BROIL KING<sup>MD</sup> peut choisir de ne pas exiger le renvoi des pièces.

## RÉSIDENTS NON-AMÉRICAINS/CANADIENS

La garantie ci-dessus est administrée par le distributeur de BROIL KING<sup>MD</sup> dans votre pays. Veuillez contacter le détaillant pour savoir le nom de votre distributeur de BROIL KING<sup>MD</sup>.

# Broil King®

## PARRILLA A GAS PARA MESADA

### MANUAL DEL USUARIO

ANSI Z21.58-2015 / CSA 1.6-2015



## ÍNDICE

SEGURIDAD .....	46
INSTALACIÓN .....	46
CILINDRO DE GAS LP .....	54
MANGUERA Y REGULADOR .....	55
GAS NATURAL .....	56
MANGUERA DE SUMINISTRO DE GAS .....	56
PRUEBA DE FUGAS .....	57
TUBOS VENTURI .....	58
ENCENDIDO .....	59
OPERACIÓN .....	60
TÉCNICAS DE COCCIÓN .....	61
MANTENIMIENTO .....	64
RESOLUCIÓN DE PROBLEMAS .....	66
GARANTÍA .....	67

**NOTA PARA EL INSTALADOR: HAY QUE DEJARLE ESTAS INSTRUCCIONES AL CLIENTE.**

### PELIGRO

SI SIENTE OLOR A GAS:

1. CORTE EL SUMINISTRO DE GAS DEL ARTEFACTO
2. APAGUE TODAS LAS LLAMAS EXPUESTAS
3. ABRA LA TAPA
4. SI EL OLOR PERSISTE, MANTÉNGASE A DISTANCIA DEL ARTEFACTO Y LLAME INMEDIATAMENTE A SU PROVEEDOR DE GAS O A LOS BOMBEROS

### ADVERTENCIA

1. NO GUARDE NI UTILICE GASOLINA O CUALQUIER OTRO LÍQUIDO O VAPOR INFLAMABLE CERCA DE ESTE ARTEFACTO
2. LOS CILINDROS LP QUE NO ESTÉN CONECTADOS A LA PARRILLA NO DEBEN ALMACENARSE CERCA DE ÉSTE NI DE NINGÚN OTRO ARTEFACTO

### INTRODUZCA AQUÍ SU NÚMERO DE MODELO, NÚMERO DE SERIE Y FECHA DE COMPRA.

Esta información puede encontrarse en la etiqueta de advertencia negra y plateada de OMC que se encuentra en el cajón para la grasa de su parrilla a gas.

Número de modelo					-				
Número de serie			-						
Fecha de compra			/			/			
	dd			mm			aaaa		

**LEA CUIDADOSAMENTE TODAS LAS INSTRUCCIONES ANTES DE UTILIZAR SU PARRILLA A GAS. GUARDE ESTAS INSTRUCCIONES PARA REFERENCIA FUTURA.**



SINCE 1906  
**MANUFACTURING COMPANY**  
LIMITED  
585 KUMPF DRIVE  
WATERLOO, ONTARIO, CANADA  
N2V 1K3

# SEGURIDAD

Su parrilla a gas Broil King® para mesada es un artefacto seguro y práctico si se arma, se instala y se usa correctamente. Sin embargo, como sucede con todo artefacto que funciona con gas, es necesario respetar ciertas medidas de seguridad al utilizarlo. No seguir estas medidas de seguridad podría causar lesiones o daños graves. Si tiene alguna pregunta sobre el montaje, la instalación o la utilización, consulte a su distribuidor, a un especialista en artefactos a gas, a la compañía de gas o llame a nuestro servicio de atención al cliente al 1-800-265-2150 / info@omcbbq.com

## ATENCIÓN

- **SÓLO PARA USO EN EXTERIORES**
- **ESTE ARTEFACTO NO PUEDE DEJARSE FUNCIONANDO SIN ATENDERLO**
- **DEBE PONERSE ESPECIAL CUIDADO EN MANTENER A LOS NIÑOS PEQUEÑOS ALEJADOS DE LAS SUPERFICIES CALIENTES**

Tenga cuidado al manejar o transportar este producto. Los bordes de metal pueden ser peligrosos. Utilice los guantes adecuados para levantar o manipular el artefacto.

## PRECAUCIONES ELÉCTRICAS

1. Si en combinación con este artefacto utiliza cualquier accesorio que necesite una fuente externa de alimentación de corriente, deberá instalar dicho accesorio con una toma eléctrica a tierra, de acuerdo con los códigos locales. Si no hubiese códigos locales, guíese por las siguientes normas:

**(EE.UU.) Última edición del Código Eléctrico Nacional ANSI/NFPA No. 70 y**  
**(Canadá) Código Eléctrico Canadiense CSA C22.1**

2. No corte ni desconecte la toma a tierra del enchufe.
3. Mantenga el cable de alimentación y la manguera del combustible alejados de toda superficie caliente.

## ⚠ ADVERTENCIA

Este producto puede exponerlo a productos químicos, incluyendo plomo, que de acuerdo con el Estado de California producen cáncer y defectos de nacimiento u otros daños reproductivos. **Lávese las manos luego de manipular este producto.**

El quemar gas combustible para cocinar puede exponerlo a productos químicos, incluyendo monóxido de carbono, que de acuerdo con el Estado de California producen cáncer y defectos de nacimiento u otros daños reproductivos. **Para minimizar la exposición a esas sustancias, use siempre esta unidad de acuerdo con las instrucciones del manual del usuario, asegurándose de suministrar una buena ventilación al cocinar con gas.**

**POR MAYOR INFORMACIÓN VISITE**  
**WWW.P65WARNINGS.CA.GOV**

# INSTALACIÓN

1. En EE.UU., este artefacto debe instalarse de acuerdo con los códigos locales y con los códigos nacionales pertinentes:

**ANSI Z223.1/NFPA 54 - Última edición del Código nacional del gas combustible y los códigos locales más recientes, según corresponda**

2. En Canadá, este artefacto debe instalarse de acuerdo con los códigos locales y con las normas CSA pertinentes:

**CSA-B149.1 Código de instalación de gas natural y propano**

3. NO limite el flujo de aire que circula alrededor del artefacto.
4. Mantenga el área que rodea al artefacto libre de materiales combustibles, gasolina, y de cualquier otro líquido o vapor inflamable.
5. Este artefacto no está diseñado para ser instalado en vehículos recreativos ni en embarcaciones.

## OPCIONES DE CONFIGURACIÓN

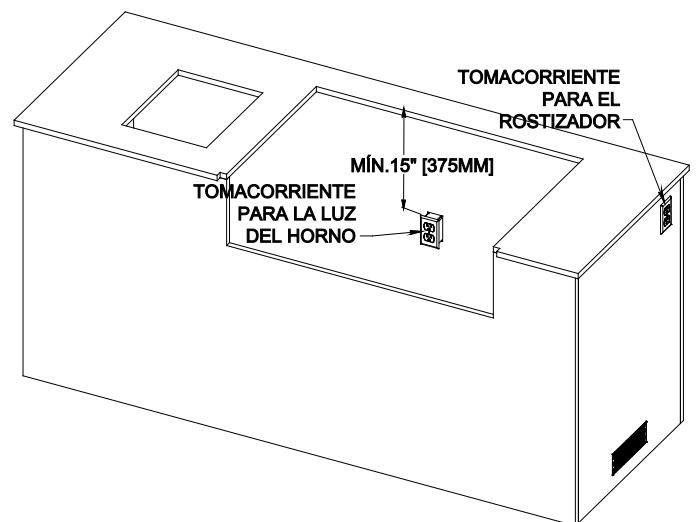
La parrilla a gas y todos los demás accesorios deben estar en el lugar antes de comenzar con la construcción. Existen muchas opciones para diseñar su cocina de exteriores.

Si la parrilla incluye un quemador lateral, recuerde colocar el quemador lateral a la izquierda de la parrilla.

## TOMACORRIENTES

Si utilizará un rostizador, deberá colocar un tomacorriente eléctrico en la parte posterior derecha de la parrilla.

Si viene con luces internas, deberá instalar un tomacorriente con Interruptor de falla a tierra (GFI) para las luces dentro del gabinete, en la pared posterior, 15 pulgadas (38 cm) por debajo de la mesada.



# INSTALACIÓN

La instalación debe ser realizada por un profesional calificado.

## UBICACIÓN DE SU PARRILLA A GAS

Asegúrese de que haya ventilación adecuada para disipar el calor y el humo.

### AL DETERMINAR LA POSICIÓN DE LA PARRILLA, TENGA EN CUENTA LO SIGUIENTE:

- Exposición al viento
- Proximidad al tráfico
- Mantener las líneas de gas y las conexiones eléctricas lo más cortas posibles y alejadas de las fuentes de calor

### POSICIONE LA PARRILLA:

- Para brindar suficiente lugar como para evacuar el área de forma segura en caso de incendio
- En un área bien ventilada

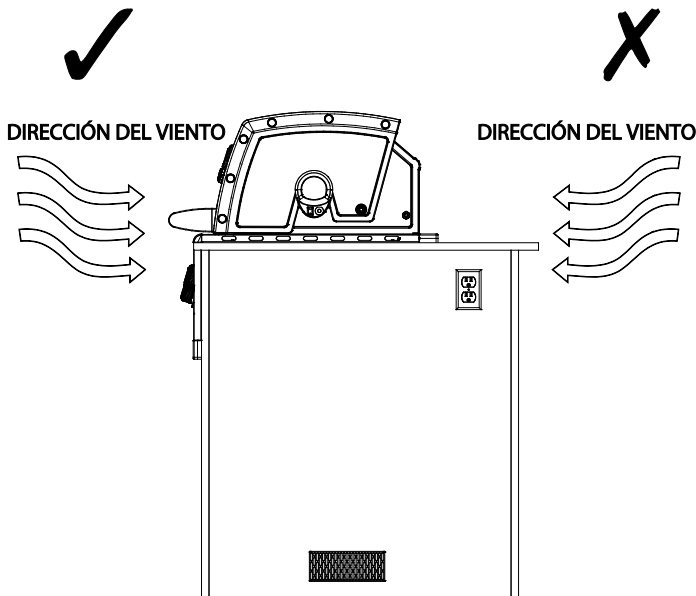
### NUNCA INSTALE LA PARRILLA:

- En un garaje, una galería o un cobertizo, o en cualquier otro lugar cerrado
- Debajo de una estructura combustible sin proteger

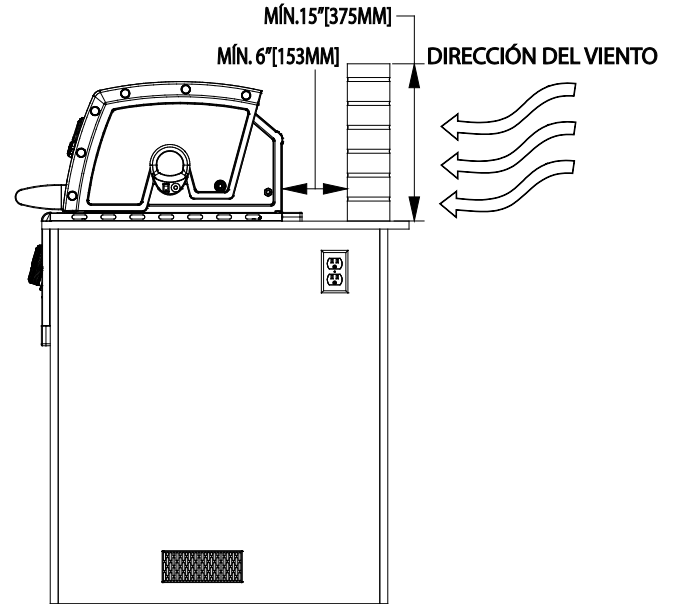
La parrilla está diseñada para tomar aire a través del panel de control y para enviar los gases de escape hacia afuera a través de la ranura de escape que está en la parte de atrás de la tapa.

Si instala la parrilla en un área con viento, ubíquela de manera que la mayoría del viento incida en el frente de la parrilla. Una pequeña cantidad de viento desde el frente de la parrilla:

- Ayudará a que se ventile el aire caliente por la parte de atrás de la misma
- Ayudará a que el humo no moleste a la persona que esté cocinando en la parrilla



Si instala la parrilla en un lugar donde la mayoría del viento incide la parte de atrás de la misma, necesitará instalar una protección contra el viento. La protección contra el viento deberá construirse para evitar que el viento entre por la ranura de escape de la parte de atrás de la parrilla y deberá cumplir con las separaciones especificadas para materiales combustibles o no combustibles en estas instrucciones.



**ADVERTENCIA:** El viento incidente por la parte de atrás de la parrilla o por la ventilación de escape puede interferir con el flujo adecuado de aire a través de la parrilla, reduciendo el rendimiento o, en ciertos casos, haciendo que se acumule demasiado calor en el panel de control. Esto podría causar peligro de quemaduras si la superficie o las perillas del panel de control se calientan demasiado.

Es mejor no usar la parrilla cuando hay mucho viento. Los daños a la parrilla causados por usarla con mucho viento, como perillas o cables de encendido derretidos, o la decoloración del panel de control causada por exceso de calor, no están cubiertos por la garantía.

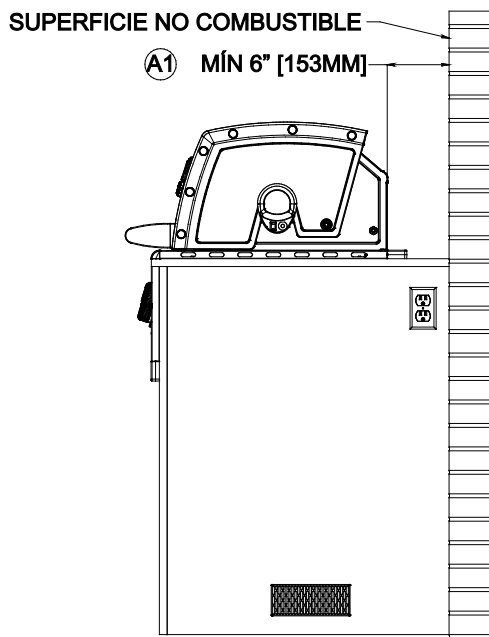
# INSTALACIÓN - SEPARACIONES

## SEPARACIONES CON PARED POSTERIOR Y LATERAL

**NOTA:** La instalación requiere una mesada no combustible. La superficie de la mesada debe estar construida con materiales sólidos y debe estar nivelada y lisa.

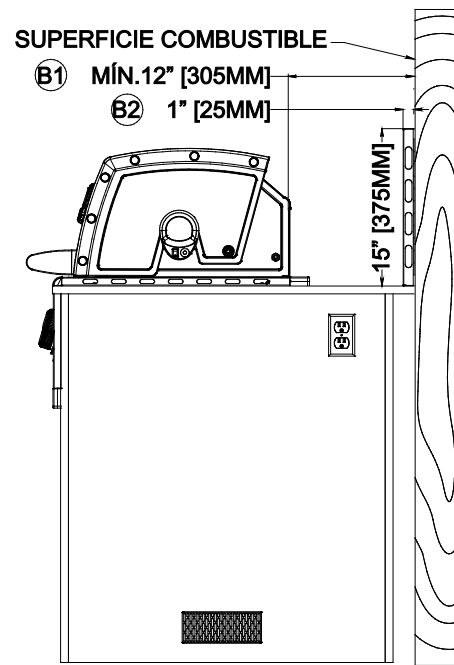
### A) Separación entre la parrilla y una pared no combustible por encima de la superficie de la mesada

1. La parrilla debe tener una separación mínima de 6" (153 mm) hacia la derecha, la izquierda y la parte de atrás desde cualquier pared no combustible para permitir la ventilación adecuada y permitir que se abra completamente la tapa.



### B) Separación entre la parrilla y una pared combustible protegida por encima de la superficie de la mesada

1. La parrilla deberá tener una separación mínima de 12" (305 mm) hacia la derecha, la izquierda y la parte de atrás desde la pared combustible protegida.
2. Una pared combustible protegida tiene un espacio de ventilación de 1" (25 mm) entre la superficie no combustible y la superficie combustible, extendiéndose 15" (375 mm) desde la superficie de la mesada.



## DEFINICIÓN DE MATERIAL COMBUSTIBLE

Toda estructura del edificio o decorativa hecha de madera, papel prensado, fibras vegetales, vinílico/plástico u otros materiales que sean capaces de transferir el calor o que se puedan prender fuego y quemar. Dicho material deberá considerarse combustible a pesar de ser a prueba de llamas, estar tratado con retardadores de incendio o de estar pintados o revestidos.

## DEFINICIÓN DE MATERIAL NO COMBUSTIBLE

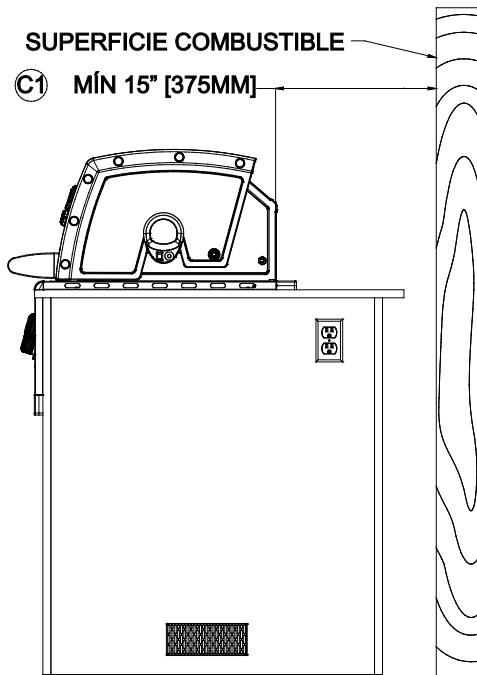
Un material que no sea capaz de prenderse fuego y quemarse, como los materiales que consistan completamente de (o de una combinación de) acero, hierro, ladrillos, concreto, pizarra y yeso.



# INSTALACIÓN - SEPARACIONES

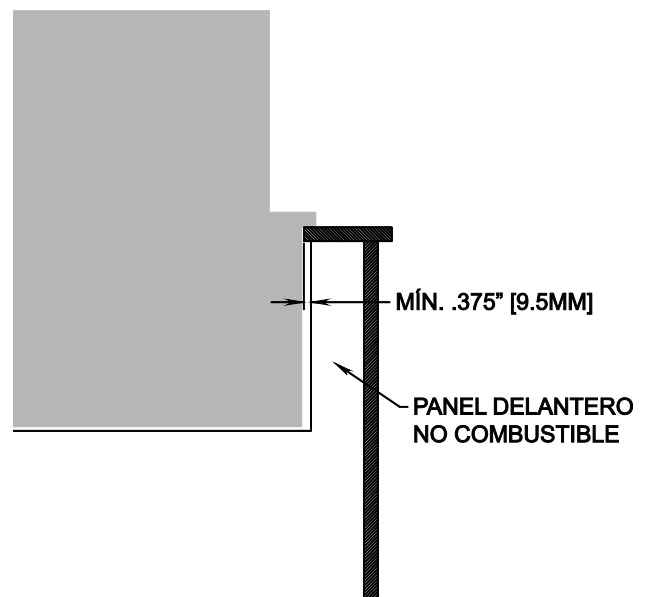
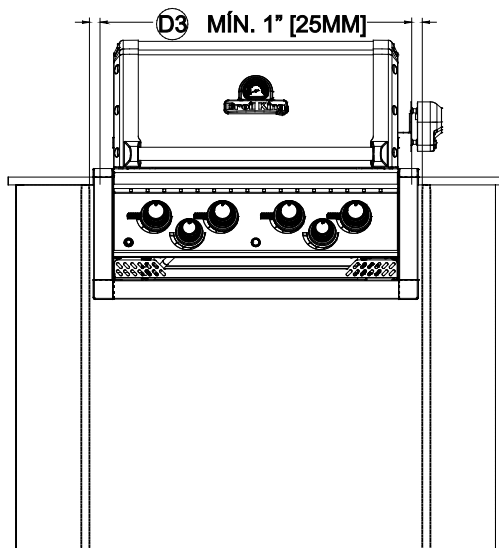
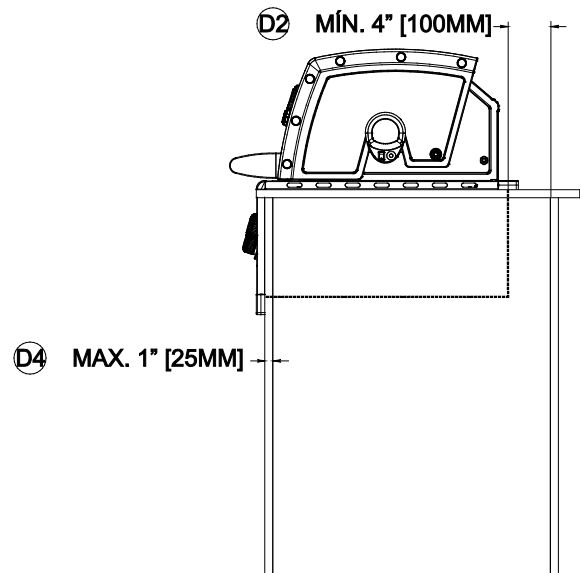
## C) Separación entre la parrilla y una pared combustible por encima de la superficie de la mesada

1. La parrilla deberá tener una separación mínima de 15" (375 mm) hacia la derecha, la izquierda y la parte de atrás desde toda pared no combustible por encima de la mesada.



## D) Separación entre la parrilla y una pared combustible o no combustible por debajo de la superficie de la mesada

1. Se requiere una separación de "0" a una construcción no combustible por debajo de la mesada.
2. Se requiere una separación de 4" (100 mm) a una pared combustible posterior por debajo de la mesada.
3. Se requiere una separación de 1" (25 mm) a una pared combustible a la derecha y a la izquierda por debajo de la mesada.
4. Se requiere una separación de 3/8" (9.5 mm) debajo de la mesada a una pared delantera combustible del gabinete, siempre que la pared delantera del gabinete tenga menos de 1" (25 mm) de espesor.



# INSTALACIÓN - SEPARACIONES

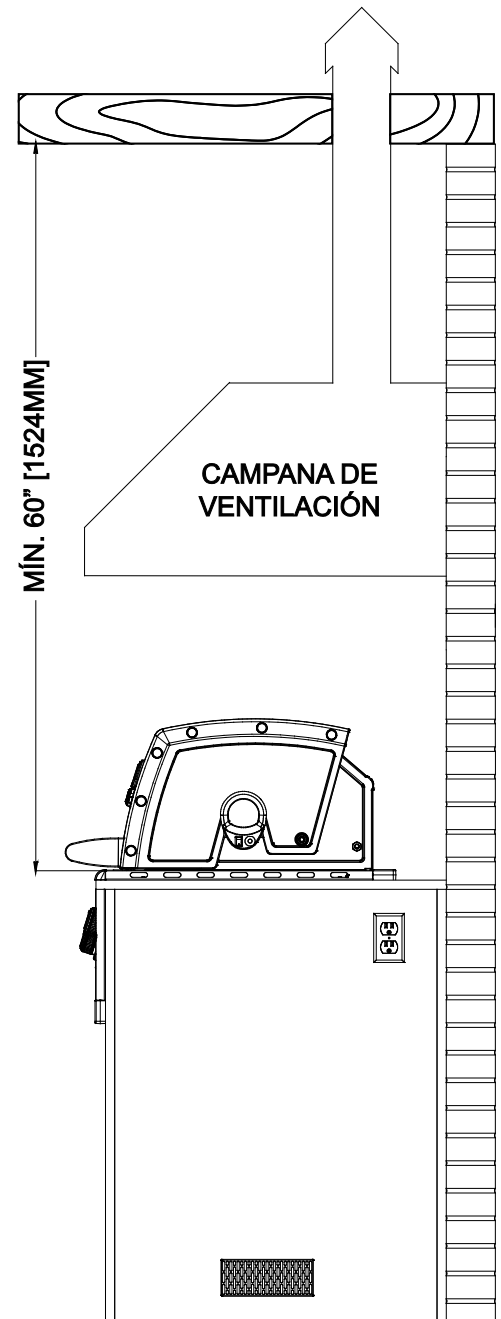
**ADVERTENCIA:** No instale o use la parrilla debajo de una construcción combustible desprotegida sin un sistema de ventilación a prueba de incendios.

## REQUISITOS PARA UNA CONSTRUCCIÓN SUPERIOR Y CAMPANA DE VENTILACIÓN

Se requiere una separación mínima de 60" (1524 mm) entre la superficie de la parrilla y la construcción superior. Cuando se instale debajo de una construcción superior combustible, el área por encima de la superficie de cocción de la parrilla deberá cubrirse con una campana de ventilación. La campana de ventilación brinda protección para el material combustible superior. Cuando lo instale debajo de una construcción de material no combustible, es altamente recomendable utilizar una campana de ventilación.

## CAMPANA DE VENTILACIÓN

Al utilizar una campana de ventilación, el área sobre la superficie de cocción de la parrilla debe estar cubierta por una campana más grande que la superficie de cocción de la parrilla, y con un sistema de ventilación al exterior de por lo menos 1200 CFM (pies cúbicos por minuto).



# INSTALACIÓN - GABINETES

## GABINETES PARA LA PARRILLA Y EL CILINDRO DE GAS LP

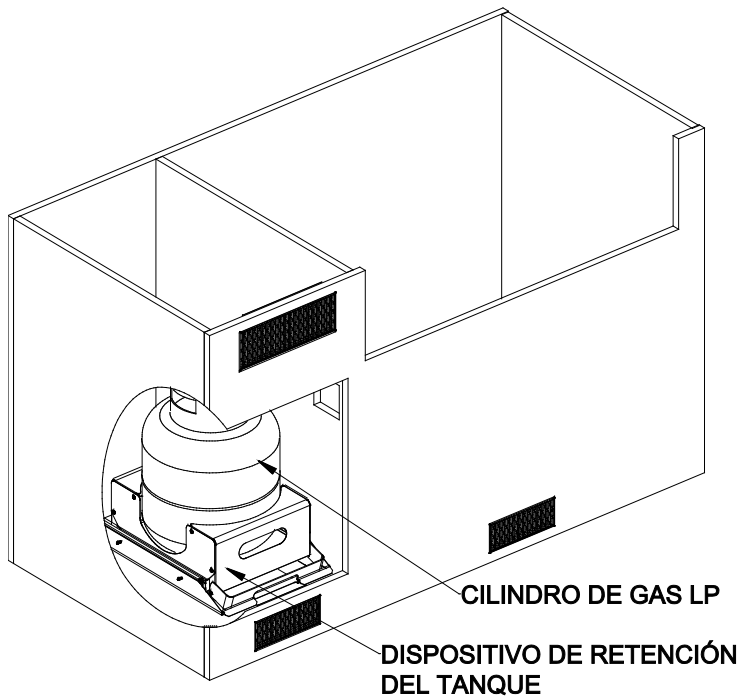
Los gabinetes para la parrilla y para el cilindro de gas LP deben cumplir con los requisitos de ventilación, retención del cilindro y separación del cilindro de gas LP de la fuente de calor tal como se indica en la norma **ANSI para artefactos de cocina a gas para exterior Z21.58 / CSA 1.6 para gabinetes de LP.**

Existen 2 tipos de gabinetes:

1. Gabinete para parrilla sin cilindro de gas LP.
2. Gabinete para parrilla con un cilindro de gas LP.

**ADVERTENCIA: No guarde un cilindro de repuesto en el gabinete.**

El gabinete para los cilindros de gas LP debe estar equipado con un dispositivo de retención para el cilindro. Puede obtener un dispositivo de retención de cilindro Broil King® en su distribuidor.

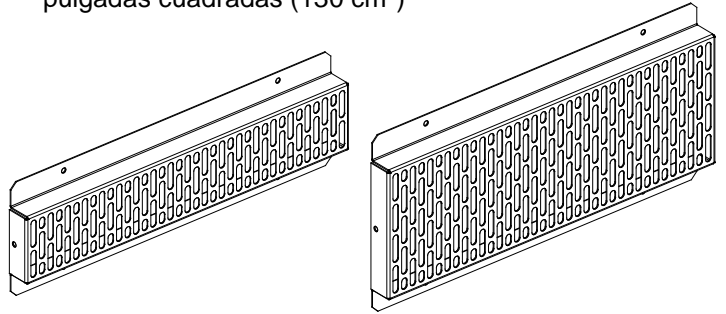


**ADVERTENCIA: El gabinete necesita ventilación para ventilar el gas en caso de fugas.**

La ventilación reduce la humedad y brinda refrigeración para los gabinetes.

Nota: Los dibujos son de referencia solamente.

- Cada ventilación debe tener aberturas mínimas como para permitir el ingreso de una varilla de 1/8" (3,2 mm) de diámetro
- Verifique que las ventilaciones no estén bloqueadas por soportes internos.
- Mantenga las ventilaciones limpias y sin obstrucciones
- Las ventilaciones se pueden colocar en áreas de baja visibilidad y deben protegerse mediante rejillas para evitar los roedores y los insectos puedan ingresar al gabinete
- Su distribuidor tiene ventilaciones que brindan un área libre mínima de 10 pulgadas cuadradas (65 cm<sup>2</sup>) y ventilaciones que brindan un área libre mínima de 20 pulgadas cuadradas (130 cm<sup>2</sup>)



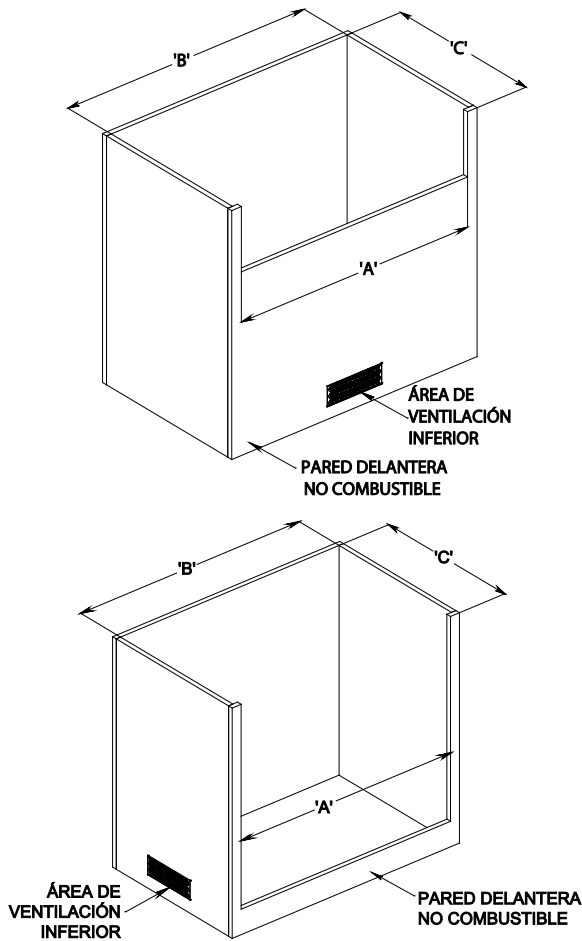
- Las válvulas de corte del suministro de gas deben ser fácilmente accesibles para accionarlas con la mano
- Se puede instalar una puerta en el gabinete para acceder a la válvula del cilindro, siempre que no se pueda trabar y que se pueda abrir sin utilizar herramientas
- Se requiere una separación mínima de 2 pulgadas (51 mm) entre el piso del gabinete del cilindro de gas LP y el suelo
- Si se produce una fuga de gas o si el cilindro de gas LP debe ventilarse en el gabinete del cilindro, no hay que permitir que el gas se ventile o se traslade a áreas vacías o huecas del gabinete

**ADVERTENCIA: Las aberturas de ventilación deben comunicarse únicamente con el exterior del gabinete, de modo que el gas se pueda disipar en el exterior del gabinete.**

# INSTALACIÓN - GABINETES

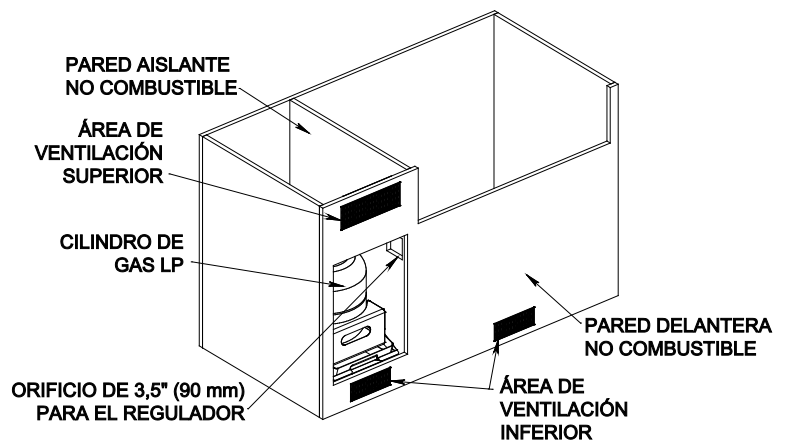
## GABINETE PARA PARRILLA SIN CILINDRO DE GAS LP

- Se brinda una ventilación total de 10 pulgadas cuadradas ( $65 \text{ cm}^2$ ) como mínimo en la parte superior de la parrilla a través del borde lateral y posterior de la parrilla
- Se brinda una ventilación total de 5 pulgadas cuadradas ( $13 \text{ cm}^2$ ) como mínimo en la parte inferior de la parrilla a través del borde inferior de la parrilla
- Se requiere una ventilación total de 10 pulgadas cuadradas ( $33 \text{ cm}^2$ ) como mínimo en la parte inferior del gabinete
- Coloque el borde inferior de la ventilación a 1" (25 mm) o menos del nivel del piso, y dentro de las 5" (127 mm) de la parte inferior del gabinete
- Tenga cuidado para no obstruir estas ventilaciones



## GABINETE PARA PARRILLA CON UN CILINDRO DE GAS LP

- Se requiere un gabinete remoto para el cilindro de gas LP en instalaciones que usen un cilindro de gas LP
- Construya el gabinete con cuatro lados, una parte superior y una parte inferior con estas dimensiones internas mínimas:
  - Alto – 20" (50cm)
  - Ancho – 15" (38.5cm)
  - Profundidad – 14" (36cm)
- El gabinete no debe tener lugar para guardar un tanque de repuesto dentro del gabinete
- Se requiere una ventilación total de 20 pulgadas cuadradas ( $130 \text{ cm}^2$ ) como mínimo en la parte superior de la pared exterior expuesta del gabinete. (De acuerdo con la norma ANSI Z21.58/CSA 1.6)
- Se requiere una ventilación total de 10 pulgadas cuadradas ( $65 \text{ cm}^2$ ) como mínimo en la parte inferior de la pared exterior expuesta del gabinete. (De acuerdo con la norma ANSI Z21.58/CSA 1.6)
- Coloque las ventilaciones superiores dentro de las 5" (127 mm) de la parte superior del gabinete
- Coloque la ventilación a inferior 1" (25 mm) o menos del nivel del piso, y dentro de las 5" (127 mm) de la parte inferior del gabinete
- El gabinete remoto para el cilindro de gas LP debe aislar completamente el cilindro de gas LP del compartimiento del quemador, actuando como blindaje contra la radiación, como barrera contra el fuego y como protección contra materiales extraños como goteo caliente



TAMAÑO DEL GABINETE DE LA PARRILLA				
	420 / 490	590	XL	
A	MÍN	30 5/16" [770mm]	36 11/16" [932mm]	44" [1118mm]
	MÁX	30 15/32" [774mm]	36 27/32" [936mm]	44 5/32" [1122mm]
B	MÍN	31 3/8" [797mm]	37 3/4" [959mm]	45 1/8" [1146mm]
C	MÍN	27" [686mm] con tomacorriente GFCI de montaje superficial		

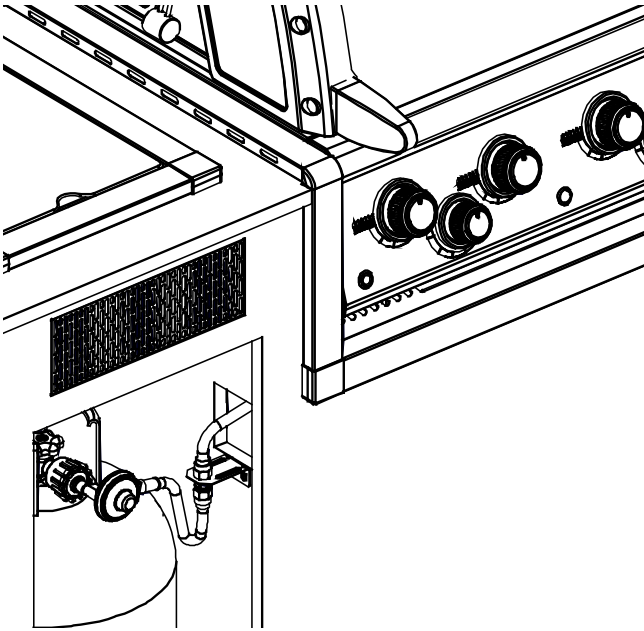
### PELIGRO

No construir un gabinete remoto para el cilindro de gas LP con capacidad para un solo cilindro de gas LP de 20 lb siguiendo los requisitos de ventilación, retención del cilindro y separación del cilindro de gas LP de la fuente de calor, tal como lo indica la norma ANSI para artefactos de cocina a gas para exterior Z21.58/CSA 1.6 podría ser peligroso, originando un incendio o una explosión, causando lesiones personales serias o la muerte, y daños materiales.

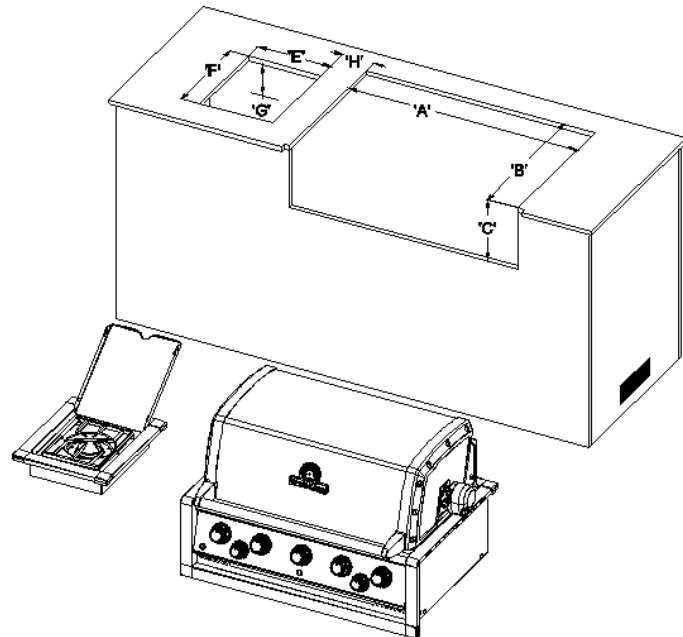
# INSTALACIÓN - TAMAÑO DE LOS CORTES

## ESPECIFICACIONES PARA CONECTAR A UN CILINDRO DE GAS LP DE 20 lb.

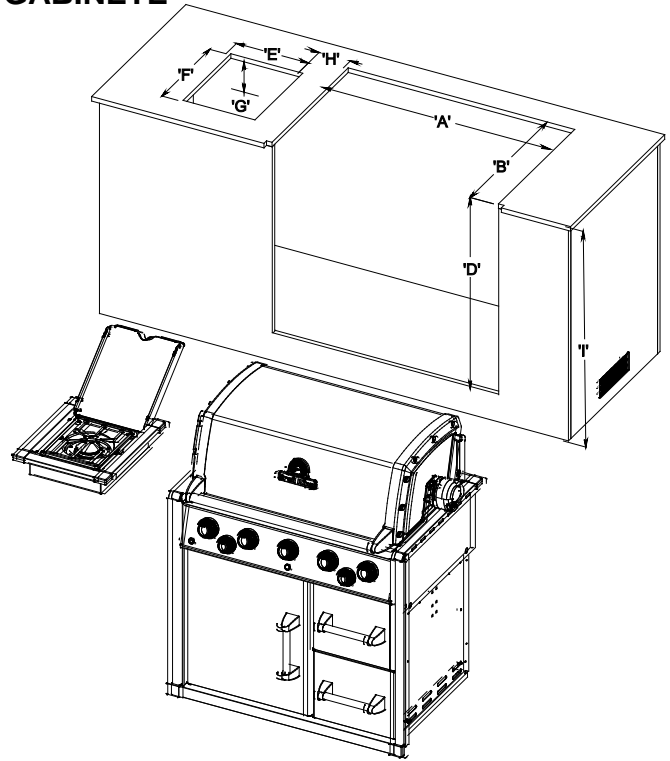
- Se conecta una manguera corrugada de 14" (356 mm), con un acople SAE de 3/8" a 45 grados, al múltiple de la parrilla
- No use sellador para tuberías en el acople SAE de 3/8" a 45 grados
- El acople SAE de 3/8" a 45 grados debe estar firmemente acoplado a una construcción rígida y permanente
- Si elige utilizar una manguera de gas corrugada distinta a la suministrada, el conector debe cumplir con la norma para conectores de artefactos a gas, ANSI Z21.24 • CSA 6.10.



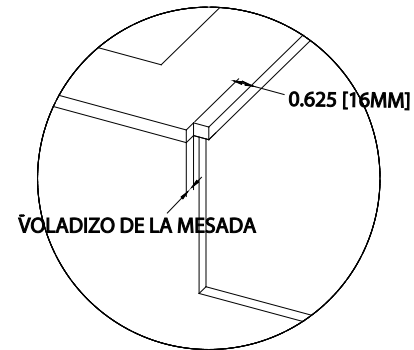
## TAMAÑO DE LOS CORTES PARA LA MESADA - PARRILLA INCORPORADA



## TAMAÑO DE LOS CORTES PARA LA MESADA - PARRILLA INCORPORADA CON GABINETE



## DETALLE DE LA MUESCA DE LA MESADA



### TAMAÑO DE LOS CORTES

	490	590	XL
A	MÍN. 29 <sup>7</sup> / <sub>8</sub> " [758mm] MÁX. 30 <sup>1</sup> / <sub>8</sub> " [765mm]	MÍN. 36 <sup>1</sup> / <sub>4</sub> " [920mm] MÁX. 36 <sup>1</sup> / <sub>2</sub> " [927mm]	MÍN. 43 <sup>5</sup> / <sub>8</sub> " [1108mm] MÁX. 43 <sup>7</sup> / <sub>8</sub> " [1115mm]
B	MÍN. 23 <sup>1</sup> / <sub>8</sub> " [590mm] – MÁX. 23 <sup>3</sup> / <sub>8</sub> " [595mm]		
C	MÍN. 10 <sup>29</sup> / <sub>32</sub> " [280mm] – MÁX. 11 <sup>1</sup> / <sub>8</sub> " [285mm]		
D	MÍN. 31 <sup>1</sup> / <sub>2</sub> " [800mm] – MÁX. 31 <sup>3</sup> / <sub>4</sub> " [810mm]		
E	MÍN. 11 <sup>1</sup> / <sub>2</sub> " [290mm] – MÁX. 11 <sup>3</sup> / <sub>4</sub> " [300mm]		
F	MÍN. 14 <sup>1</sup> / <sub>2</sub> " [370mm] – MÁX. 14 <sup>3</sup> / <sub>4</sub> " [375mm]		
G	MÍNIMO 4 <sup>1</sup> / <sub>2</sub> " [115mm]		
H	MÍNIMO 3" [75mm] – MÁXIMO 7" [180mm]		
I	MÍNIMO 34" [865mm]		

# CILINDRO DE GAS LP

La norma para artefactos a gas para exteriores, ANSI Z21.58/CAN/CGA-1.6, exige que los artefactos a gas LP sean usados con cilindros equipados con:

- Un dispositivo de prevención contra llenado excesivo (OPD)
- Un sistema de Acople de cierre rápido QCC®-1

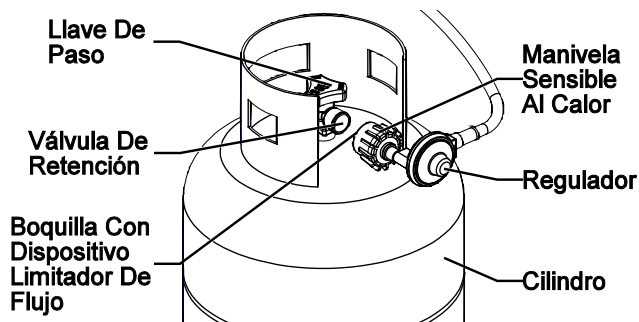
## DISPOSITIVO DE PREVENCIÓN CONTRA LLENADO EXCESIVO

El OPD está diseñado para reducir el potencial de llenado excesivo de los cilindros de propano, con lo cual se reduce la posibilidad de que la válvula de alivio despidan propano crudo. El OPD permite purgar/llenar el cilindro más lentamente.

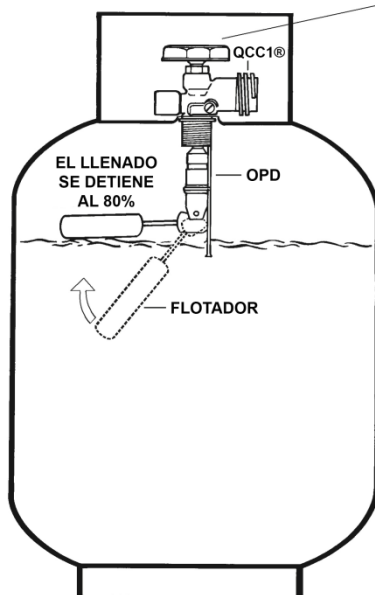
## QCC®-1 - ACOUPLE DE CIERRE RÁPIDO

El sistema QCC®-1 incorpora las características de seguridad que exige el Instituto Nacional de Normalización de Estados Unidos (ANSI, por sus siglas en inglés) y la Asociación de Normas de Canadá (CSA).

- El gas no circulará hasta que la conexión establecida no sea correcta
- Un elemento térmico suspenderá el flujo de gas entre 240 y 300 °F
- Siempre que esté activado, un Dispositivo limitador de flujo limitará el flujo de gas a 10 pies cúbicos/hora



### MANIVELA DEL OPD



El cilindro de gas LP no viene incluido con la parrilla a gas. Asegúrese de utilizar un cilindro de gas LP equipado con el OPD y la válvula QCC®.

## IDENTIFICACIÓN

Puede reconocer la válvula QCC®-1 por las roscas externas en el puerto de entrada de la válvula del cilindro de gas LP. Se ha estandarizado la manivela del OPD con la forma que se muestra.

Puede obtener cilindros de gas LP equipados con QCC® / OPD mediante su distribuidor de parrillas a gas.

**NOTA: Cualquier intento de conectar el regulador, utilizando adaptadores o cualquier otro medio, a otra válvula podría causar daños, incendios, o heridas y podría inutilizar las importantes características de seguridad del sistema QCC®-1.**

## ESPECIFICACIÓN

1. Todos los cilindros de gas LP que se utilizan con este artefacto deben estar contruidos e identificados de acuerdo con las Especificaciones para cilindros de gas LP del Departamento de Transportación (DOT, por sus siglas en inglés), o la Norma Nacional de Canadá, CAN/CSA-B339, Cilindros, esferas y tubos para transportación de productos peligrosos; y la Comisión, según corresponda.
2. El cilindro de gas LP que se utiliza con este artefacto no debe sobrepasar las 20 libras (9 kg) de capacidad. Aproximadamente 18" (46 cm) de alto y 12" (31 cm) de diámetro.
3. Todos los cilindros de gas LP que se utilizan con este artefacto deben revisarse cada vez que se llenen y deben ser revaluados en un punto de suministro autorizado una vez cumplida su fecha de vencimiento (10 años), según lo dispuesto por los códigos del DOT (EE.UU.) y por la Comisión Canadiense de Transportación (Canadá) para cilindros de gas LP.
4. Todos los cilindros que se utilicen con este artefacto deben suministrarse con una válvula de cierre terminada en una salida de válvula No. 510, según las especificaciones de las Normas de conexión de entrada y salida para válvulas de cilindros de gas comprimido ANSI/CGA-V-1-1977 (EE.UU.) y CSA B96 (Canadá).
5. El sistema de suministro del cilindro debe estar acondicionado para recuperación de vapor.
6. El cilindro debe incluir un collar para proteger la válvula del cilindro.
7. El cilindro debe instalarse de acuerdo con las instrucciones de montaje.
8. Nunca llene el cilindro más allá del 80% de su capacidad. Podría producirse un incendio que podría provocar muertes o heridas graves.
9. La válvula del cilindro debe incluir un dispositivo de alivio de seguridad directamente conectado al espacio de los vapores del cilindro.

## MANEJO

1. Las reglamentaciones gubernamentales prohíben el envío de cilindros de gas LP llenos. Usted debe llevar su cilindro nuevo a un vendedor de gas LP para llenarlo.
2. Los cilindros de gas LP llenos están bajo una presión muy alta. Manéjelos siempre con cuidado y téngalos en posición vertical. Proteja la válvula contra accidentes que puedan dañarla.
3. No incline el cilindro de gas LP mientras lo conecta al regulador. Asegure firmemente el cilindro de gas LP para su transporte, utilización y almacenamiento.
4. Si se inclina el cilindro de gas LP después de conectarlo al regulador, suspenda el suministro de gas, desconecte el regulador y sométalo a revisión antes de volver a utilizarlo.

## ALMACENAMIENTO

1. Almacene el cilindro de gas LP en un exterior en un lugar bien ventilado.
2. No almacene el cilindro de gas LP directamente al sol, ni cerca de una fuente de calor o combustión.
3. No guarde un cilindro de gas LP de repuesto en el gabinete. Los cilindros desconectados deben estar cubiertos con una tapa que los proteja del polvo y no se deben almacenar en edificios, garajes ni en ninguna otra área cerrada.
4. Manténgalo fuera del alcance de los niños.
5. Cuando el cilindro de gas LP esté conectado a la parrilla, tanto la parrilla como el cilindro de gas deben utilizarse en el exterior, en un lugar bien ventilado.

## OPERACIÓN

1. Nunca conecte su parrilla a gas a un cilindro de gas LP sin el regulador suministrado y **NUNCA LA CONECTE A UNA FUENTE DE GAS LP SIN REGULADOR**. Debe emplearse el regulador suministrado con la parrilla.
2. **Siempre** compruebe que no haya fugas en la conexión entre el cilindro de gas LP y el regulador cuando conecte el cilindro de gas LP al artefacto. Ver "Prueba de fugas" (página 57).
3. **No** utilice el artefacto si hay olor a gas LP. Apague todas las llamas y determine la fuente de la fuga del gas LP antes de continuar. No encienda el artefacto hasta que haya encontrado y sellado la fuga de gas LP.
4. **Siempre** cierre la válvula del cilindro de gas LP cuando no esté usando el artefacto.

1. Las parrillas a gas LP están equipadas con una manguera y un regulador con un Acoplamiento de cierre rápido QCC®-1.
2. El acoplamiento QCC®-1 contiene un Dispositivo limitador de flujo que limitará el flujo de gas si se presentara una fuga entre el regulador y la válvula del artefacto. Este dispositivo se activará si se abre la válvula del cilindro mientras están abiertas las válvulas del artefacto. **Asegúrese de que las válvulas del artefacto estén cerradas antes de abrir la válvula del cilindro para evitar que se active por accidente.**
3. El acoplamiento QCC® incorpora una manivela sensible al calor que hará que se cierre el módulo trasero de control de la válvula del cilindro QCC® cuando se exponga a temperaturas entre los 240 y 300 °F. Cuando ocurra esto, no intente volver a conectar la manivela. Saque el conjunto de la manguera/regulador y reemplácelo por uno nuevo.
4. El regulador de presión está calibrado para 11 pulgadas de columna de agua y únicamente debe utilizarse con gas LP. Los acoples entre manguera y manguera cumplen con la Norma CGA CAN 1.83. No se debe realizar ninguna modificación ni sustitución.
5. Proteja la manguera contra el goteo de grasa y no permita que haga contacto con ninguna superficie caliente, incluyendo la base fundida de la parrilla.
6. Inspeccione el sello de la válvula del cilindro QCC® cuando reemplace el cilindro de gas LP o una vez al año, lo que ocurra con más frecuencia. Reemplace el sello si hay algún indicio de rajaduras, marcas o abrasión.
7. Inspeccione la manguera antes de cada uso. Si la manguera está partida, cortada, desgastada o dañada de cualquier otro modo, **no** debe utilizar el artefacto.
8. Para reparaciones o reemplazos del conjunto manguera/regulador, póngase en contacto con nuestro servicio de atención al cliente.

## CONEXIÓN

1. Asegúrese de que la válvula del cilindro de gas LP y las válvulas del artefacto estén cerradas.
2. Coloque el cilindro de gas LP lleno en su lugar y asegure la base de acuerdo con las instrucciones de montaje.
3. Centre la boquilla de la válvula del cilindro de gas LP y sujétela en su lugar. Con la otra mano, haga girar la manivela en sentido horario hasta que no pueda seguir girándola. Centre la boquilla de la válvula del cilindro de gas LP y sujétela en su lugar. Con la otra mano, haga girar la manivela en sentido horario hasta que no pueda seguir girándola. No utilice herramientas. Ajuste con la mano únicamente. Cuando establezca la conexión, sostenga el regulador bien alineado con la válvula del cilindro de gas LP, para que no se crucen las roscas de la conexión.
4. Compruebe que no haya fugas en las conexiones. Ver "Prueba de fugas" (Página 57).
5. Consulte las instrucciones de encendido. **Para evitar que se active el dispositivo limitador de flujo cuando encienda el artefacto, abra lentamente la válvula del cilindro de gas LP con las válvulas del artefacto cerradas.** Si el Dispositivo limitador de flujo se activa por accidente, cierre la válvula del cilindro de gas LP y las válvulas del artefacto, espere 10 segundos para permitir que el dispositivo se reajuste, abra lentamente la válvula del cilindro de gas LP, y luego abra la válvula del artefacto.

## DESCONEXIÓN

Siempre cierre la válvula del cilindro de gas LP y remueva la tuerca de acople antes de mover el cilindro de gas LP de la posición de funcionamiento especificada.

# INSTALACIÓN - CAÑO FIJO DE LP O LÍNEA DE GAS NATURAL

## UBICACIÓN DE LA LÍNEA DE GAS

Las líneas de gas LP y de gas natural deben ser instaladas por un profesional calificado.

**Nota:** Brinde acceso en el gabinete para mantener el suministro de gas y el regulador.

**Nota:** El área no debe tener superficies filosas ni abrasivas para evitar daños en las líneas de suministro de gas.

Tenga mucho cuidado al instalar líneas de gas a través del gabinete.

## ESPECIFICACIONES PARA LAS TUBERÍAS

- La instalación debe utilizar caños rígidos, tuberías semirrígidas o un conector que cumpla con la norma para conectores de artefactos a gas para exterior y casas manufacturadas, ANSI Z21.75•CSA 6.27 y que sea apto para instalación en el exterior
- Las conexiones de gas deben estar firmemente sujetadas a una construcción rígida y permanente
- Se incluye una conexión cónica SAE de 3/8" a 45 grados. No utilice sellador para tuberías en esta conexión
- Deberá instalar una llave de corte manual en el exterior, que sea accesible desde el exterior del gabinete.
- Para conexiones mediante tubería de gas propano o natural, deberá instalar una llave de corte adicional en el interior, para esa rama de alimentación, en un lugar accesible cerca de la línea de suministro

## CONEXIÓN A UN SUMINISTRO REMOTO Y AUTO-CONTENIDO DE GAS LP

- Las parrillas a gas LP están diseñadas para funcionar con una presión regulada de 11 pulgadas de columna de agua
- **Se necesita un regulador de presión LP en línea apto para instalaciones con línea de gas propano, que mantenga una presión de 11 pulgadas de columna de agua. (No incluido)**
- La conexión del suministro de gas desde el múltiple de la parrilla hasta la conexión del suministro de gas no debe exceder las 72" (182 cm)
- Cuando la parrilla no se use, cierre el suministro de gas LP con la llave de corte

## CONEXIÓN A UNA FUENTE DE GAS NATURAL

- Si la parrilla está diseñada para usarse con gas natural, no la use con propano líquido (cilindro de gas). Las válvulas, orificios y mangueras son para gas natural únicamente
- Las parrillas para gas natural están diseñadas para funcionar a una presión regulada de 7 pulgadas de columna de agua
- La manguera del suministro de gas desde el múltiple de la parrilla hasta la conexión del suministro de gas no debe exceder las 120" (305 cm)
- El gas debe cerrarse en la fuente de gas natural cuando no se use la parrilla

- Cuando no use la parrilla, cierre la alimentación de gas natural con la llave de corte

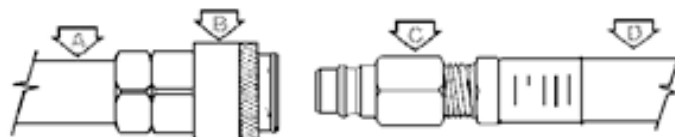
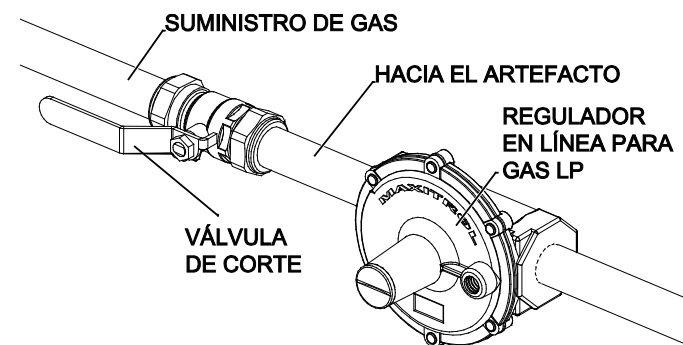
## PRUEBA DEL SUMINISTRO DE GAS

- Hay que desconectar la parrilla y su llave de corte individual del caño de suministro de gas durante cualquier prueba de presión del sistema cuando la presión de prueba exceda 1/2 psig (3,5 kPa)
- Hay que aislar la parrilla a gas de la tubería de alimentación de gas cerrando su llave de paso manual individual durante cualquier prueba de presión del sistema de suministro de gas para presiones de prueba iguales o mayores a 1/2 psig (3,5 kPa)

## MANGUERA DE SUMINISTRO DE GAS

- Para los modelos que vienen con una manguera de extensión, la manguera está diseñada específicamente para su modelo. No se debe realizar ninguna modificación ni adición. La manguera y los acoples cumplen con la Norma CGA CAN 1.83
- En los modelos equipados con acople de "desconexión rápida", cierre la llave de corte antes de desconectar el acople
- El acople de "desconexión rápida" debe mantenerse limpio y sin residuos
- Proteja la manguera contra el goteo de grasa y no permita que haga contacto con ninguna superficie caliente, incluyendo la base fundida de la parrilla
- Inspeccione la manguera por lo menos una vez al año. Si la manguera está rajada, cortada, desgastada o dañada, no debe utilizar el artefacto
- Llame al su distribuidor o centro de servicio autorizado para reemplazar la manguera

## VÁLVULA DE CORTE EN POSICIÓN ABIERTA



- A. TUBERÍA DE SUMINISTRO DE GAS
- B. ACOPLER DE DESCONEXIÓN RÁPIDA
- C. ACOPLER ADAPTADOR
- D. MANGUERA DE EXTENSIÓN



# PRUEBA DE FUGAS

Todas las conexiones de fábrica se prueban cuidadosamente para detectar fugas de gas. Sin embargo, durante su transporte y manejo puede aflojarse algún acople.

## COMO PRECAUCIÓN DE SEGURIDAD:

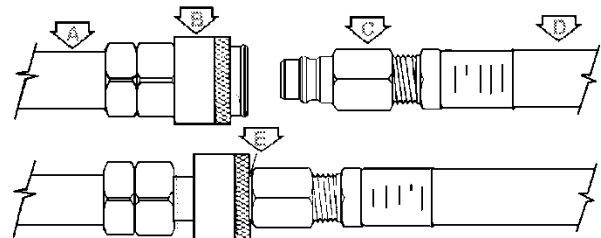
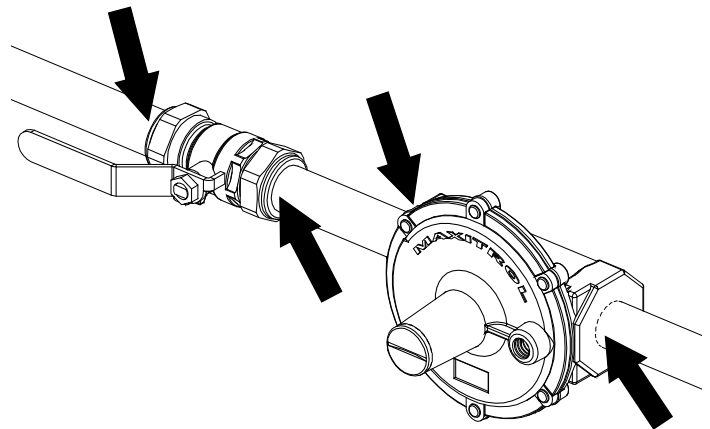
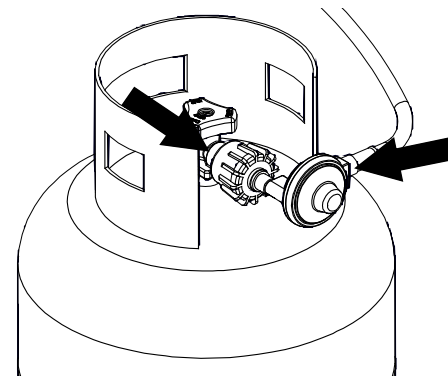
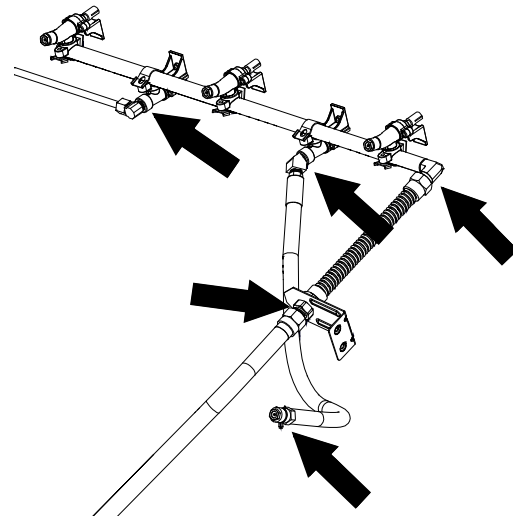
- Compruebe todos los acoples para detectar si hay fugas antes de utilizar su parrilla a gas
- Verifique que no hayan fugas cada vez que desconecte o reconecte un acople de gas, por lo menos una vez al año o luego de un tiempo de no usarla
- No fume mientras realiza las pruebas
- Nunca compruebe si hay una fuga con un fósforo encendido o una llama expuesta.
- Realice las pruebas en el exterior

## PARA COMPROBAR SI HAY FUGAS:

1. Prepare una solución jabonosa con una parte de agua y otra parte de detergente líquido.
2. Apague cualquier llama expuesta o cigarrillo que haya en el área.
3. Asegúrese de que las válvulas de la parrilla a gas estén cerradas
4. Asegúrese de que la válvula del cilindro o las válvulas del suministro de gas estén cerradas
5. Con un cilindro de gas lleno, abra lentamente la válvula del cilindro. O abra la válvula del suministro de gas.
6. Unte cada conexión con la solución de agua jabonosa.
7. Las fugas pueden identificarse mediante la formación de burbujas en el área de la fuga.
8. Si se detecta una fuga, cierre la válvula del cilindro de gas o del suministro de gas, ajuste la conexión y vuelva a realizar la comprobación.
9. Si la fuga continúa, contacte a su proveedor de la parrilla de gas para obtener ayuda. No intente utilizar la parrilla si hay una fuga.

## Si su parrilla a gas está equipada con un quemador lateral o posterior:

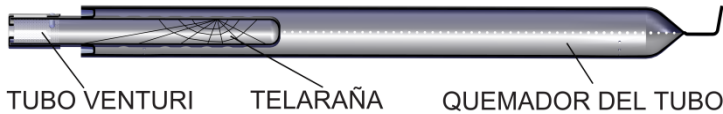
1. Siga los pasos anteriores del 1 y 5
2. Coloque la yema del dedo sobre la apertura del orificio en el extremo de la manguera.
3. Gire el control "SIDE"/"REAR" hasta "HIGH".
4. Unte solución jabonosa en cada conexión entre el orificio y la válvula de control.
5. Haga girar el control "SIDE"/"REAR" hasta "OFF".



- A. TUBERÍA DE SUMINISTRO DE GAS
- B. ACOPLE DE DESCONEXIÓN RÁPIDA
- C. ACOPLE ADAPTADOR
- D. MANGUERA DE EXTENSIÓN
- E. REALIZAR LA COMPROBACIÓN AQUÍ

# TUBOS VENTURI

- Siempre mantenga limpios los tubos Venturi
- Las obstrucciones en los tubos Venturi provocadas por arañas, insectos y nidos pueden desencadenar retornos de llamas
- Aunque la parrilla a gas aún se pueda encender, el gas retenido puede encenderse y causar llamaradas alrededor de los tubos Venturi en el panel de control o en el quemador lateral



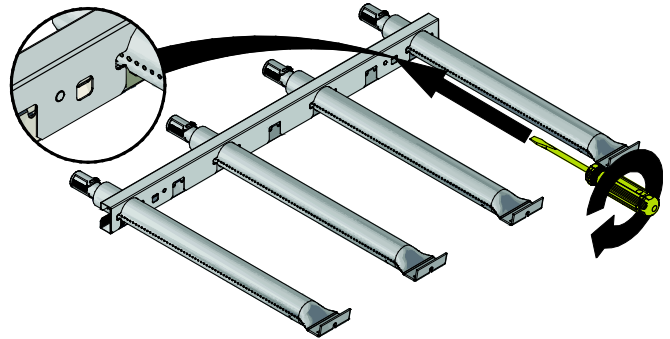
**Si se produce un retorno de llamas, corte el suministro de la fuente de gas inmediatamente.**

**Revise y limpie los tubos Venturi (quemador principal, quemador lateral, quemador posterior) si se presenta cualquiera de las siguientes señales:**

1. Siente olor a gas.
2. Su parrilla a gas no gana temperatura.
3. Su parrilla se calienta de manera irregular.
4. Los quemadores emiten chasquidos.

## INSPECCIÓN Y LIMPIEZA DE LOS TUBOS VENTURI

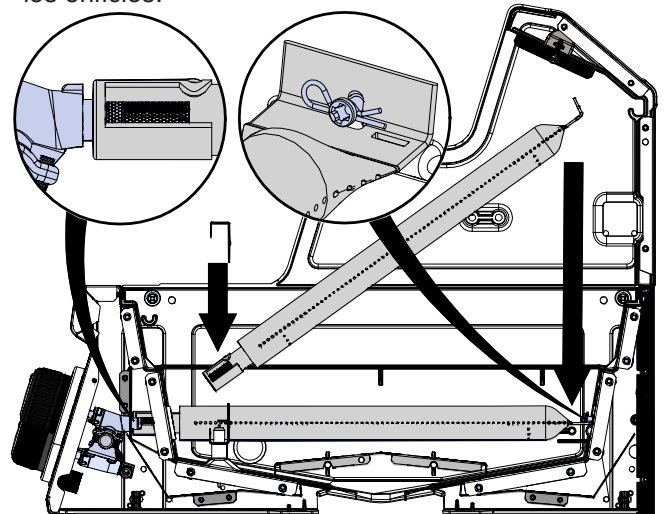
1. Asegúrese de que la válvula del cilindro o las válvulas del suministro de gas estén cerradas.
2. Cuando se enfríe la parrilla, saque los sujetadores del quemador y la parte superior de la caja recolectora. Saque los quemadores de la armazón de la parrilla a gas.



3. Limpie los tubos Venturi con un limpiador de tubos o con una herramienta de limpieza Venturi (Accesorio #77310 o #18270).



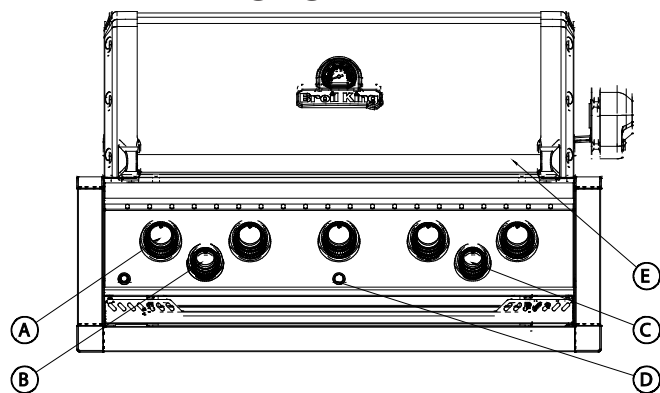
4. Vuelva a bajar el quemador hasta su ubicación en la caja de la parrilla a gas, asegurándose de que los tubos Venturi estén correctamente alineados y acoplados en los orificios.



5. Asegure los quemadores con sus sujetadores correspondientes. Vuelva a colocar en su lugar la cubierta de la caja recolectora

# ENCENDIDO

## COMPONENTES BÁSICOS DE LA PARRILLA A GAS



- A. Controles del quemador principal  
B. Control del quemador lateral  
C. Control del quemador posterior  
D. Encendedor  
E. Manija

## INSTRUCCIONES DE ENCENDIDO

- La parrilla debe armarse e instalarse de acuerdo con las instrucciones de montaje e instalación
- Verifique que la parrilla esté correctamente conectada a un suministro de gas LP o natural. Ver: "Manguera y regulador". (Página 55)
- Asegúrese de que no haya fugas de gas en el sistema de suministro de gas. Ver: "Prueba de fugas". (Página 57)
- Asegúrese de que los tubos Venturi estén correctamente colocados sobre los orificios de la válvula de gas. Vea el diagrama de Venturi. (Página 58)
- Asegúrese de que los cables de encendido del quemador principal, del quemador lateral y del quemador posterior estén conectados
- Compruebe que se haya instalado la batería en el encendedor electrónico
- Revise cuidadosamente todas las instrucciones que aparecen en la placa de información que viene colocada en la parrilla a gas

1. **Abra la tapa antes de encenderla**
2. **No se incline sobre la parrilla a gas al encenderla.**
3. Lleve las perillas de control hasta "OFF" y abra el suministro de gas.

## ENCENDIDO DEL QUEMADOR PRINCIPAL:

### Para encender el quemador con el encendedor:

4. Use el soporte para fósforos y acerque el fósforo encendido al puerto del quemador
5. Mantenga presionado el encendedor.
6. El quemador debe encenderse en unos 5 segundos; si no se enciende en ese período de tiempo, cierre el suministro de la fuente de gas inmediatamente.

### Para encender el quemador con un fósforo:

4. Use the match holder and, apply lit match to burner port.
5. Presione y gire a la derecha la perilla de control del quemador principal hacia "HIGH"
6. El quemador debe encenderse en unos 5 segundos; si no se enciende en ese período de tiempo, cierre el suministro de la fuente de gas inmediatamente.
7. Cuando se haya encendido el primer quemador, presione y gire la perilla adyacente de control del quemador principal hasta "HIGH" y luego vuelva a repetir la operación con los otros quemadores. Estos quemadores deben encenderse automáticamente sin el encendedor.

Nota: Si hay viento, encienda cada quemador individualmente.

## ENCENDIDO DEL QUEMADOR LATERAL:

### Para encender el quemador con el encendedor:

4. Presione y gire la perilla de control del quemador lateral hacia "HIGH"
5. Mantenga presionado el botón del encendedor.
6. El quemador debe encenderse en unos 5 segundos.

### Para encender el quemador con un fósforo:

4. Acerque el fósforo encendido a los puertos del quemador.
5. Presione hacia adentro la perilla de control del quemador lateral y gírela hacia "HIGH"
6. El quemador debe encenderse en unos 5 segundos.

Nota: Las ollas que se coloquen en el quemador lateral no deben sobrepasar las 9 pulgadas (23 cm) de diámetro ni las 15 libras (7 kg) de peso.

## ENCENDIDO DEL QUEMADOR POSTERIOR PARA ROSTIZAR:

**Advertencia: no haga funcionar el quemador principal y el quemador posterior al mismo tiempo.**

- **SAQUE EL ESTANTE PARA CALENTAR**

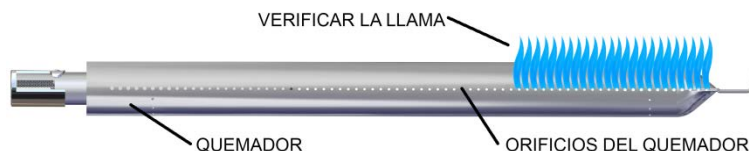
### Para encender el quemador con el encendedor:

4. Presione y gire la perilla de control del quemador posterior hacia "HIGH"
5. Mantenga presionado el botón del encendedor.
6. El quemador debe encenderse en unos 5 segundos.

### Para encender el quemador con un fósforo:

4. Acerque el fósforo encendido a los puertos del quemador.
5. Presione hacia adentro la perilla de control del quemador posterior y gírela hacia "HIGH"
6. El quemador debe encenderse en unos 5 segundos.

**CAUTION: Check your gas grill after lighting.** All burner ports should show a 2.5cm / 1" flame on "HIGH."



**Si se presenta cualquiera de los siguientes síntomas, significa que probablemente hay un atasco en los tubos Venturi. Cierre inmediatamente el suministro de gas y limpie los tubos Venturi. Ver "Tubos Venturi" (Página 58).**

- **Siente olor a gas**
- **Se produce un retorno de llamas**
- **Su parrilla se calienta de manera irregular**
- **Los quemadores emiten chasquidos**

## SI EL QUEMADOR NO SE ENCIENDE:

- Presione y gire la perilla de control hacia "OFF". Espere 5 minutos y vuelva a intentarlo con la perilla de control en "MEDIUM"
- Si no se enciende ningún quemador, consulte "Diagnóstico de problemas" en la página 65. Si el problema persiste, no intente utilizar el artefacto; póngase en contacto con OMC, con su proveedor o con un centro de servicios autorizado

## APAGADO:

1. Cierre la válvula del cilindro LP o la válvula del suministro de gas.
2. Gire las perillas de control hacia "OFF"

# OPERACIÓN

## **⚠ ADVERTENCIA**

**NUNCA** cubra ranuras, orificios o conductos en el frente o en la parte de abajo de la parrilla, ni cubra completamente un estante con material como papel de aluminio. Eso impediría el flujo de aire a través de la parrilla y podría causar sobrecalentamiento o envenenamiento con monóxido de carbono.

### **Uso por primera vez**

Antes de cocinar por primera vez en su parrilla a gas, limpie los componentes y precaliéntela para deshacerse de cualquier olor o materiales extraños de la siguiente forma:

- Remueva y limpie las rejillas de cocción y las Flav-R-Waves™ con jabón suave y agua
- Con las rejillas de cocción y las Flav-R-Waves™ removidas, encienda la parrilla a gas siguiendo las instrucciones de encendido (ver página 59) y déjela funcionar en "Med" durante 30 minutos. A continuación, cierre el suministro de la fuente de gas y haga girar todas las perillas de control a la posición de "OFF"
- Deje que se enfríe la parrilla, luego coloque las Flav-R-Waves™
- Acondicione las rejillas de cocción recubriéndolas en aceite de cocina orgánico procesado en frío y con un alto grado de humo, encienda la parrilla y hágala funcionar en Med/Low durante 30 minutos
- Aceites de cocina recomendados:
  - Aceite de aguacate – punto de humo (260C/500F)
  - Aceite de salvado de arroz – punto de humo (255C/490F)
  - Aceite de canola – punto de humo (204C/400F)
- Ahora está listo para usar la parrilla. Proceda a realizar el "Precalentamiento"

### **Precalentamiento**

- **Precaliente la parrilla a gas en MED** con la tapa cerrada durante 15 minutos
- Limpie las rejillas frías con un cepillo de nailon (artículo # 65643) o las rejillas calientes con un cepillo de cerdas de acero inoxidable (artículo # 65225, 64014, 64034) e inspeccione cuidadosamente la rejilla para verificar que no hayan quedado cerdas rotas en la misma
- Recubra las rejillas con un aceite de cocina de alto punto de humo
- Ajuste la temperatura hasta un punto adecuado para lo que vaya a cocinar

### **Posición de la tapa**

La posición de la tapa durante la cocción es una cuestión de preferencia personal, pero la parrilla a gas cocina más rápido, consume menos combustible y controla mejor la temperatura cuando la tapa está cerrada.

Mantener la tapa cerrada también le infunde a la carne asada directamente sobre la rejilla un sabor más ahumado, y es esencial para asados ahumados o por convección.

### **Sistemas de vaporización**

Su parrilla a gas está diseñada para utilizarse con el sistema de vaporización Flav-R-Wave™ suministrado con la misma. No utilice rocas de lava, briquetas cerámicas ni ningún otro sistema de vaporización que no sea el que se suministró con la parrilla a gas.

## **TEMPERATURAS DE COCCIÓN**

Las parrillas a gas BROIL KING® son:

- Artefactos de alto rendimiento, capaces de brindar altas temperaturas para dorar
- Diseñadas con flujo de aire controlado para retener el calor y minimizar el consumo de combustible

**En raras ocasiones, por no decir nunca, necesitará usar el ajuste HIGH para cocciones prolongadas o precalentamiento.**

### **Ajuste High (alto)**

Produce temperaturas en la rejilla de cocción de aproximadamente 700 - 750 °F (370 - 400 °C) con la tapa cerrada.

Use el ajuste alto solamente:

- Para calentamiento rápido
- En condiciones de mucho frío o viento, al cocinar con la tapa abierta
- Para dorar rápidamente filetes antes de reducir la temperatura
- Para quemar los restos de comida de las rejillas de cocción y las Flav-r-wave antes de limpiarlas (máximo 10 minutos)

### **Med/High**

Produce temperaturas en la rejilla de cocción de aproximadamente 600 °F (320 °C) con la tapa cerrada.

Use el ajuste med/high para:

- Precalentar la parrilla para filetes
- Cocinar filetes jugosos o a término medio

### **Med**

Produce temperaturas en la rejilla de cocción de aproximadamente 450 °F (230 °C) con la tapa cerrada.

Use el ajuste med para:

- Cocinar filetes a término medio o un poco más cocidos
- Cocinar chuletas, hamburguesas y verduras

### **Med/Low**

Produce temperaturas en la rejilla de cocción de aproximadamente 400 °F (200 °C) con la tapa cerrada.

Use el ajuste med/low para:

- Cocinar trozos de pollo, salchichas, pescado
- Rostizar, hornear
- Cocinar masa y bocadillos como quesadillas

### **Low**

Produce temperaturas en la rejilla de cocción de aproximadamente 310 - 550 °F (155 - 175 °C) con la tapa cerrada.

Use el ajuste low para:

- Rostizar y ahumar lentamente cortes grandes de carne, pescado delicado y para masa y bocadillos

**Las temperaturas son solo aproximadas y varían de acuerdo con la temperatura externa y con la cantidad de viento.**

# TÉCNICAS DE COCCIÓN

## ASADO DIRECTO

El método de asado directo consiste en cocinar la comida en las rejillas directamente sobre un quemador encendido. El asado directo es el método más popular para cocinar alimentos de una sola pieza, como filetes, chuletas, pescado, hamburguesas, brochetas y verduras.

1. Prepare los alimentos de antemano para evitar demoras y problemas de tiempo. Si utiliza adobo o especias, debe añadirlos a la carne antes de colocarla en la rejilla de cocción. Si va a adobar con salsas, añádalas en los últimos 2-4 minutos del asado para evitar que se quemem.
2. Organice el área alrededor de la parrilla a gas de manera tal que tenga a mano pinches, pinzas, guantes para horno, salsas y condimentos, a fin de poder permanecer junto a la parrilla mientras está cocinando.
3. Antes de comenzar a asar, deje que la carne tome la temperatura ambiente. Elimine el exceso de grasa de la carne para minimizar las "llamaradas" que se producen cuando esta comienza a gotear.
4. Precaliente la parrilla a gas hasta la temperatura deseada con la cubierta cerrada.
5. Cubra las rejillas con aceite vegetal o de oliva para evitar que los alimentos se peguen a las rejillas.
6. Evite añadir sal cuando cocine carnes en la parrilla a gas. La carne se mantendrá más jugosa si añade la sal después de cocinada.
7. Para evitar que los filetes "se resequen", utilice pinzas en lugar de un tenedor y comience en temperatura "MED/HIGH" para dorar la carne y sellar los jugos dentro de esta. Reduzca la temperatura y extienda el tiempo de cocción cuando ase trozos de carne más gruesos.
8. Aprenda a probar cuándo la carne está lista por el tiempo transcurrido y por su consistencia. La carne se vuelve más firme a medida que se cocina. Cuando la carne está blanda, está cruda. Cuando está firme, está bien cocida.
9. Siga la guía para el asado perfecto de filetes con la mayoría de las carnes, pescados, aves y verduras.

GUÍA DE ASADO DIRECTO				
	1" DE ESPESOR	TEMPERATURA	TIEMPO POR CADA LADO	TIEMPO TOTAL
POLLO	MEDIO / BIEN HECHO	MED / LOW	4 / 4 / 4 / 4	16
ALAS DE POLLO	MEDIO / BIEN HECHO	MED / LOW	5 / 5 / 5 / 5	20
HAMBURGUESAS	MEDIO	MED / LOW	3 / 3 / 3 / 3	12
HAMBURGUESAS CONGELADAS DE 3/4"	MEDIO	MED / LOW	3 / 3 / 3 / 3	12
FILETE DE PESCADO	MEDIO	MED	2 / 2 / 2 / 2	8 - 10
COLAS DE LANGOSTA CORTADAS	MEDIO	MED	4 / 4 / 4 / 4	16 - 20

**UTILICE LA MISMA TÉCNICA DE LA GUÍA DE ASADO PERFECTO DE FILETES**

### GUÍA PARA ASAR EL FILETE PERFECTO

COLOQUE EL FILETE EN ÁNGULO SOBRE LA PARRILLA CALIENTE.

DELO VUELTA COMO SE INDICA A CONTINUACIÓN.

VUELVA A DAR VUELTA Y A ROTAR EL FILETE.

VUELVA A DAR VUELTA EL FILETE UNA VEZ MÁS.

Espesor de la carne		Ajuste de Calor	Tiempo por cada lado				Tiempo total
1 1/2"	1"		A	B	C	D	
	Poco hecho	Alto	1 1/4	1 1/4	1 1/4	1 1/4	7 minutos
Poco hecho	Jugoso	Medio/Alto	2	2	2	2	8 minutos
Jugoso	Medium	Medio/Alto	2 1/4	2 1/4	2 1/4	2 1/4	9 minutos
Mediano	Bien hecho	Mediano	2 1/2	2 1/2	2 1/2	2 1/2	10 minutos
Bien hecho		Mediano	3	3	3	3	12 minutos

# TÉCNICAS DE COCCIÓN

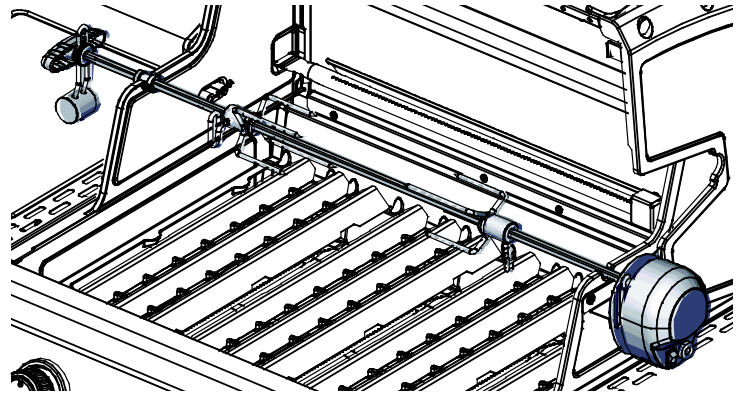
## COCCIÓN POR CONVECCIÓN INDIRECTA

Este método es ideal para cocinar trozos grandes de carne como asados o aves. Los alimentos se cocinan con el aire caliente que circula a su alrededor.

- Para la mayoría de las aplicaciones de cocción por convección y sin rostizador, se recomienda utilizar una bandeja colectora para que el goteo caiga dentro de ella. Coloque la bandeja colectora sobre el Flav-R-Wave, debajo de los alimentos hacia el centro. Coloque entre media y una pulgada de agua en la bandeja colectora. También puede añadir jugo de frutas, vino o adobo para realzar el sabor. No deje que la bandeja colectora se quede sin líquido
- La cocción por convección sin un rostizador es mejor con la cubierta cerrada y temperatura baja. Todos los quemadores pueden ajustarse en baja o los quemadores externos pueden ajustarse a media y el/los quemador(es) del centro pueden apagarse. Apagar el quemador central evitará que ardan los jugos de la bandeja colectora
- Antes de colocar la carne en la parrilla a gas, recubra la carne con aceite vegetal. Así logrará dorar mejor la parte externa de la carne
- Cuando cocine sin bandeja colectora (algo que no es recomendable) debe poner mucha atención para evitar el riesgo de que se incendie la grasa
- Apague la parrilla a gas y deje que se enfríe antes de sacar la bandeja colectora. La grasa que gotea es muy inflamable y debe manejarse con cuidado para evitar heridas
- Para cocinar asados y carne de ave por convección sin un rostizador, coloque la carne en una parrilla asadora directamente sobre las rejillas

## ROSTIZADO

Siga los pasos de cocción por convección indirecta. (Ver a la izquierda)



- El rostizador tiene capacidad para hasta 7 kg (15 lb) de carne con el factor limitante del espacio necesario para hacerla girar. Para obtener los mejores resultados, la carne debe centrarse en la línea central de la barra para eliminar desbalances
- El rostizador puede utilizarse con las rejillas de cocción en su lugar si el espacio lo permite
- Sujete firmemente la carne a la barra antes de colocarla en la parrilla a gas. Cuando ase aves, asegure bien las alas y los muslos

## QUEMADOR POSTERIOR PARA ROSTIZAR

- Algunos modelos vienen con un quemador posterior para rostizar. El método de rostizado con un quemador posterior es el mejor para cocinar asados y carne de aves. La fuente de calor queda situada detrás de la carne, con lo cual no hay riesgo de llamaradas causadas por el goteo de la grasa. Un plato o bandeja colectora situada debajo de la barra servirá para coleccionar los jugos para adobar o para preparar una salsa
- El quemador posterior cargado por resorte puede sacarse fácilmente cuando no se está usando
- Para saber cómo operar su quemador posterior, vea "Encendido del quemador posterior" (Página 59)

GUÍA DE COCCIÓN POR CONVECCIÓN INDIRECTA Y ROSTIZADO			
ASADO DE RES	3 - 6 Lb.	MED / LOW	2 - 4 HRS
ASADO DE RES	6 - 10 Lb.	MED / LOW	3 - 5 HRS
ASADO DE CERDO	2 - 5 Lb.	MED / LOW	2 - 4 HRS
ASADO DE CERDO	6 - 10 Lb.	MED / LOW	3 - 5 HRS
PAVO O POLLO	2 - 5 Lb.	MED / LOW	2 - 4 HRS
PAVO O POLLO	5 - 10 Lb.	MED / LOW	3 - 5 HRS
CUANDO UTILICE UN QUEMADOR PARA ROSTIZAR, SELECCIONE LA TEMPERATURA MED / HIGH			

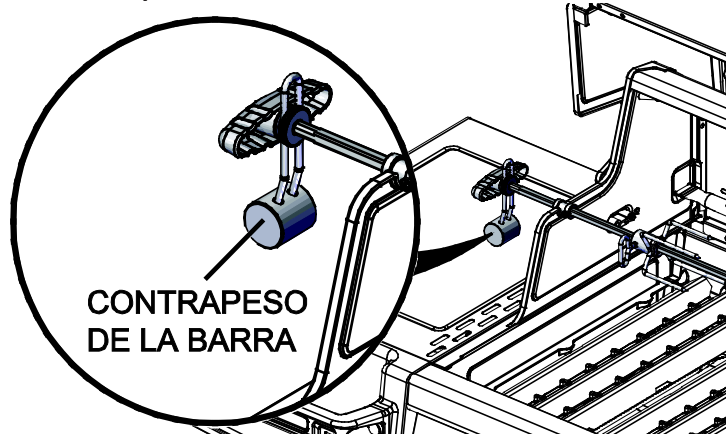
GUÍA DE TEMPERATURA DE LAS CARNES			
	POCO HECHA	MEDIANA	BIEN HECHA
RES / CORDERO / TERNERA	130°F / 55°C	146°F / 63°C	160°F / 70°C
CERDO		150°F / 65°C	170°F / 77°C
AVES			170°F / 77°C
HAMBURGUESAS			160°F / 70°C
PARA OBTENER LOS MEJORES RESULTADOS, UTILICE UN TERMÓMETRO PARA CARNES			

# TÉCNICAS DE COCCIÓN

## CONTRAPESO DE LA BARRA

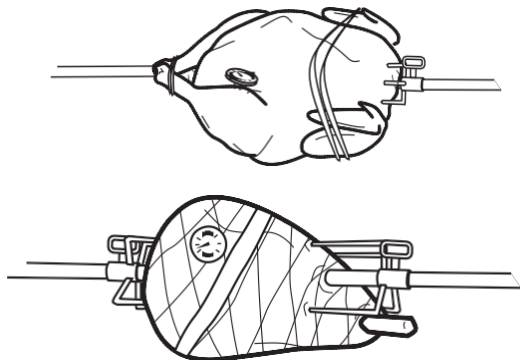
1. Afloje el mango de la barra para que el balanceador pueda girar libremente.
2. Coloque la barra rostizadora en las ranuras de caja de la parrilla a gas. Deje que el lado más pesado de la carne rote hacia abajo.
3. Ajuste el balanceador a la parte superior de la barra, en el lugar opuesto al lado más pesado de la carne.
4. Ajuste el mango de la barra. Verifique periódicamente que la carne rote suavemente mientras se cocina. Ajuste el contrapeso de ser necesario.

**CAUTION:** Utilice guantes para horno cuando ajuste el contrapeso de la barra.



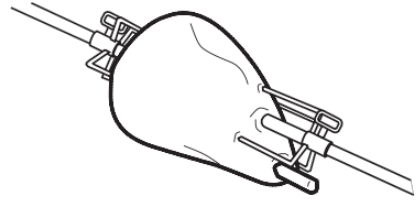
## CÓMO UTILIZAR UN TERMÓMETRO DE SONDA

1. La forma precisa de determinar cuándo un trozo de carne grande está hecho es utilizar un termómetro de sonda. Inserte el termómetro inclinado de manera tal que la punta resistente de metal llegue a hacer contacto con el centro de la parte más gruesa de la carne. **Tenga cuidado de que no toque ni la barra ni el hueso, y de que la punta no esté en contacto con la grasa (sentirá mucho menos resistencia cuando sondee un área de grasa).**



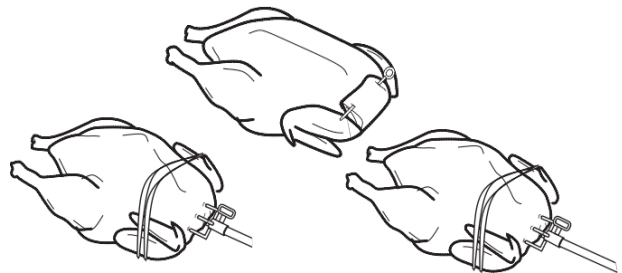
2. Cuando el termómetro muestre la temperatura deseada, la carne está lista. Añada sus salsas durante los últimos minutos de cocción y deje que la carne repose unos 15 minutos para que gane firmeza. Corte y sirva.
- Carne de ave: inserte la punta del termómetro en la parte más gruesa del muslo cerca del cuerpo
  - Jamón o asados: inserte la punta del termómetro en el centro de la sección más pesada de la carne

## CÓMO USAR UNA BARRA - PIERNA DE CORDERO



1. Corte 3 pulgadas del hueso en el extremo pequeño de la pierna.
2. Deje carne alrededor del hueso para formar un pliegue.
3. Coloque un pinche en la barra.
4. Doble el pliegue hacia arriba y pase la barra a través del mismo y de la pierna.
5. Coloque el segundo pinche en la barra y clave los pinches en ambos extremos de la pierna. Verifique que quede balanceada. Ajuste los tornillos.

## CÓMO USAR UNA BARRA - CARNE DE AVE



1. Con la pechuga hacia abajo, tire de la piel hacia arriba sobre la cavidad.
2. Gire los extremos inferiores de la piel, coloque el pinche en la piel de la parte de atrás.
3. Enrolle el hilo alrededor del pinche y átelo.
4. Gire la pechuga hacia arriba, ate o pinche las alas al cuerpo.
5. Coloque un pinche en la barra. Inserte la barra en la piel del cuello, paralela a la columna vertebral, haciendo que salga por encima de la cola.
6. Coloque el segundo pinche en la barra y clave los pinches en la pechuga y la cola. Verifique que quede balanceada. Ajuste los tornillos.
7. Ate la cola a la barra con hilo. Cruce los muslos y átelos a la cola.

## TRES POLLOS EN UNA BARRA



1. Ate o pinche las alas al cuerpo.
2. Coloque un pinche en la barra. Coloque los pollos en la barra como se muestra en el diagrama anterior.
3. Enrolle el hilo alrededor de las colas y los muslos y átelo a la barra.
4. Coloque el segundo pinche en la barra y clave los pinches en los pollos. Ajuste los tornillos.

# MANTENIMIENTO

## MANTENIMIENTO REGULAR

Para asegurar un rendimiento y seguridad óptimos, hay que inspeccionar y limpiar los siguientes componentes como sea necesario, antes de usar su parrilla a gas.

### REJILLAS DE COCCIÓN - FUNDICIÓN DE HIERRO, FUNDICIÓN DE ACERO INOXIDABLE Y VARILLAS GRUESAS DE ACERO INOXIDABLE

Las rejillas de cocción V profunda BROIL KING® de fundición de hierro y de fundición de acero inoxidable brindan una retención de calor y un rendimiento de cocción insuperables.

Las rejillas de cocción de varillas gruesas de acero inoxidable BROIL KING® brindan la máxima durabilidad y buena retención de calor con buen rendimiento de cocción. Las rejillas de cocción de hierro fundido BROIL KING® están cubiertas con un acabado de esmalte de porcelana para protegerlas y reducir la tendencia de los alimentos a pegarse a ellas. El uso y el cuidado periódico mejoran el rendimiento y la duración de las rejillas.

Para un rendimiento óptimo:

- Antes de usarlas por primera vez y luego de mucho tiempo de almacenamiento, lave las rejillas con un detergente suave y agua, y luego enjuáguelas y séquelas con una toalla de papel; nunca seque las rejillas al aire ni utilice un lavavajillas
- Inmediatamente después de lavarlas, acondicione las rejillas de cocción recubriéndolas en aceite de cocina orgánico prensado en frío y con un alto grado de humo, encienda la parrilla y hágala funcionar en Med/Low durante 30 minutos. Aceites de cocina recomendados:
  - Aceite de aguacate – punto de humo (260C/500F)
  - Aceite de salvado de arroz – punto de humo (255C/490F)
  - Aceite de canola – punto de humo (204C/400F)
- Antes y después de cada uso, limpie las rejillas con un cepillo de cerdas de acero inoxidable de buena calidad (artículos # 65225, 64014, 64034) y recúbrelas levemente con un aceite vegetal de alto grado de humo. Esto continuará el proceso de acondicionamiento
- **Use el ajuste de calor medio para precalentar la parrilla y evitar que se queme la cubierta acondicionadora de protección**
- Evite colocar marinados en base a azúcar o a sal sobre el metal antes de cocinar. Coloque los marinados en base a azúcar al final de la cocción y los salados después de cocinar
- Use marinados en base a aceite. Evite los marinados en base a agua
- Recubra levemente la comida con el aceite de cocina que prefiera antes de cocinarla
- Gire y haga rotar sus rejillas periódicamente
- Asegúrese de que la superficie de las rejillas esté siempre cubierta por una capa fina de aceite. Esto ayuda a prevenir la oxidación y el deterioro, y mejora el rendimiento antiadherente de las rejillas
- Si aparece óxido, caliente bien la rejilla, límpiela con un cepillo de cerdas de acero inoxidable y vuelva a acondicionarla

Durante períodos más extensos de inactividad, hay que acondicionar las rejillas y luego guardarlas en un lugar seco. Se pueden envolver en plástico para alimentos para protegerlas. Luego de guardarlas durante mucho tiempo, caliéntelas bien, lávelas, séquelas con toallas de papel y vuelva a acondicionarlas con un aceite de cocina de alto punto de humo.

**Si la parrilla está caliente, tenga cuidado y utilice guantes para horno para trabajar con el cepillo de cerdas de acero inoxidable. Inspeccione cuidadosamente la parrilla después de cepillarla para verificar que no hayan quedado cerdas rotas en la rejilla.**

### BANDEJA RECOLECTORA DE GRASA

La bandeja colectora de grasa está en el cajón que está debajo del panel de control. Límpiela regularmente.

### FLAV-R-WAVE™

La Flav-R-Wave™ está diseñada para generar humo y vapor a partir del goteo de la comida, para mejorar el auténtico sabor a parrilla al mismo tiempo que protege el quemador. Si se acumulan residuos en el Flav-R-Wave™, saque las rejillas de cocción y raspe los residuos del Flav-R-Wave™ con el elevador de rejillas. (Parte # 60745)

### LIMPIEZA GENERAL

Realice una Quema de residuos (ver a continuación). Cuando la parrilla a gas se enfríe, saque las rejillas, raspe el Flav-R-Wave™ para limpiarlo y luego sáquelo. Limpie el interior de la parrilla a gas según sea necesario raspando los laterales y el fondo de la caja de cocción con el elevador de rejillas y aspirando los residuos. La oxidación es un proceso natural y puede presentarse en partes internas de acero inoxidable. El óxido no afectará el rendimiento de su parrilla.

### QUEMA DE RESIDUOS

Encienda los quemadores según se indica en la sección "Encendido" (página 59). Deje encendida la parrilla a gas en HIGH con la tapa cerrada durante 10 minutos como máximo. Cierre el suministro de la fuente de gas y haga girar las perillas de control a la posición de "OFF".



# MANTENIMIENTO

---

## MANTENIMIENTO ANUAL

Los siguientes componentes deben inspeccionarse y limpiarse al menos una vez al año o después de períodos de almacenamiento de más de 30 días para garantizar un rendimiento, seguridad y eficiencia óptimos.

### QUEMADOR

Saque el quemador e inspeccione si presenta rajaduras o deterioro. Limpie los tubos Venturi utilizando un limpiador de tubos o un cepillo Venturi para eliminar cualquier obstrucción. Ver "Tubos Venturi". (Página 59). Cuando se haya removido el quemador, remueva las cubiertas de grasa, limpie el interior de la caja de cocción raspando los laterales y el fondo, y aspirándola.

### MANGUERA

Inspecciónela y reemplácela si es necesario. Para propano, consulte "Manguera y regulador". (Página 55)

### COMPONENTES EXTERIORES DE ALUMINIO

Si aparecen puntos blancos de óxido, lave el exterior de la caja de cocción de aluminio con una solución de agua y jabón suave. Enjuague bien las superficies y luego límpielas utilizando un paño humedecido en aceite de cocina para devolverles el brillo. Para reparar rayones de la pintura, utilice un aerosol de pintura de ALTA temperatura (600°F) de buena calidad para retocarla.

### COMPONENTES DE ACERO INOXIDABLE Y DE PORCELANA

Lávelos con agua y jabón. Use un limpiador para acero inoxidable o "Bar Keepers Friend" para pulir y remover manchas o marcas de óxido, si aparecieran. El desgaste y el calor extremo pueden hacer que la cubierta de acero inoxidable tome un color bronceado. Se trata de una decoloración y no se considera un defecto de fabricación.

### COMPONENTES DE RESINA Y ESTANTES LATERALES

Lávelos con agua y jabón.

### PARTES DE REEMPLAZO

Si detecta un problema en el regulador, manguera, quemador o válvulas de control, no intente repararlo. Vea a su proveedor, centro de servicios autorizado, o póngase en contacto con la fábrica para reparaciones o reemplazo de partes. Para asegurar un rendimiento óptimo, utilice únicamente partes de repuesto originales de BROIL KING®.

### PRUEBA DE FUGAS

Cuando conecte un cilindro de gas a modelos que funcionan con gas propano, asegúrese de comprobar si hay fugas. Ver "Prueba de fugas". (Página 47)

# DIAGNÓSTICO DE PROBLEMAS

PROBLEMA	CAUSA POSIBLE	ACCIÓN CORRECTIVA
<b>OLOR A GAS</b>	<b>CIERRE DE INMEDIATO EL SUMINISTRO DE GAS. NO UTILICE EL ARTEFACTO HASTA QUE NO SE HAYA SELLADO LA FUGA.</b>	
Fuga detectada en el cilindro, en el regulador o en otra conexión.	1. Acople del regulador suelto. 2. Fuga de gas en la manguera/regulador o en las válvulas de control.	1. Apriete el acople y realice una "Prueba de fugas". (página 57) 2. Diríjase a un centro de servicios autorizado.
Fuego detrás del panel de control. (Llamas de retorno)	1. Tubo Venturi obstruido.	1. Saque el quemador y limpie el tubo Venturi. Ver "Tubos Venturi" (página 58)
Llama parpadeante en el quemador o Temperaturas bajas con el control en HIGH	1. El dispositivo de seguridad contra flujo excesivo se ha activado en la conexión entre el cilindro y la parrilla.	1. Cierre la válvula del cilindro LP y luego lleve todos los quemadores a la posición de OFF. Desconecte el regulador del cilindro. Espere dos minutos. Vuelva a conectar el regulador al cilindro. Abra lentamente la válvula del cilindro. Espere un minuto. Encienda la parrilla según se indica en "Encendido" (página 59).
El quemador no enciende	1. Se acabó el gas LP, suministro de gas no conectado. 2. Problema del encendedor. 3. Se ha activado el dispositivo de seguridad contra flujo excesivo. 4. El regulador no está completamente conectado a la válvula del cilindro. 5. Una fuga en el sistema hace que el dispositivo contra el exceso de flujo se active. 6. Tubo Venturi obstruido o desalineado con respecto al orificio de la válvula. 7. Orificio(s) bloqueado(s). 8. La manguera está doblada.	1. Rellene el cilindro de gas LP, revise la conexión al suministro. 2. Intente encender el quemador manualmente con un fósforo. Ver "Encendido" (página 59). Si el quemador se enciende correctamente, se trata de un problema del encendedor. Ver "El encendedor no funciona" a continuación 3. Siga la solución que aparece más arriba en "Llama parpadeante o Temperaturas bajas con control en HIGH". 4. Ajuste la manivela del regulador. 5. Compruebe si hay fugas en las conexiones para determinar si hay un acople suelto. Apriete el acople. Compruebe que no haya fugas en el sistema. 6. Saque el quemador, limpie el tubo Venturi y vuelva a alinearlos con el orificio de la válvula. Vea la página 58 para obtener ayuda. 7. Saque el quemador, limpie los orificios con un alfiler o con un alambre. No perforo orificios. 8. Enderece la manguera. Manténgala alejada del fondo de la parrilla.
El encendedor no funciona	1. Se agotó la batería del encendedor 2. Cable(s) del encendedor desconectado(s) 3. Electrodo desalineado en el quemador 4. Desperfecto del encendedor	1. Reemplace la batería 2. Asegúrese de que los cables del quemador principal y del quemador lateral estén todos conectados 3. Vuelva a alinear el electrodo y limpie los restos circundantes del área 4. Use el procedimiento de "Encendido con fósforo". (Página 59)
Disminución del calor, "Chasquido"	1. Se terminó el gas LP. 2. Tubo Venturi obstruido.	1. Vuelva a llenar el cilindro de gas LP. 2. Saque el quemador, limpie el tubo Venturi. Ver "Tubos Venturi" (página 58) para obtener ayuda.
Puntos calientes en la superficie de cocción	1. Tubo Venturi obstruido. 2. Acumulación de residuos en el Flav-R-Wave	1. Saque el quemador, limpie el tubo Venturi. Ver "Tubos Venturi" (página 58) para obtener ayuda. 2. Raspar y aspirar el Flav-R-Wave
"Llamaradas" o grasa incendiada	1. Acumulación excesiva de grasa en el vaporizador o en la caja de cocción de la parrilla a gas. 2. Calor excesivo.	1. Raspe bien el Flav-R-Wave y el interior de la caja de cocción y luego aspire los restos. 2. Lleve los controles del quemador a un ajuste inferior.
Zumbido del regulador	1. Se abrió demasiado rápido la válvula del cilindro.	1. Abra lentamente la válvula del cilindro.
Llama amarilla	1. Es normal que la llama sea un poco amarilla. Si se torna demasiado amarilla, puede que el tubo Venturi esté obstruido. 2. Puertos del quemador bloqueados.	1. Saque el quemador, limpie el tubo Venturi. Ver "Tubos Venturi" (página 58) para obtener ayuda. 2. Saque el quemador y límpielo con un cepillo de cerdas suaves (por ejemplo, un cepillo de dientes).
El interior de la tapa parece estar descascarándose	1. Se trata de una acumulación de grasa. El interior de la cubierta no está pintado y no puede descascararse.	1. Límpielo con un cepillo de cerdas duras o con una espátula.
Rejillas de cocción oxidadas	1. Se ha dañado el esmalte de porcelana	1. Vea "Mantenimiento" (página 64) para obtener ayuda
Las luces del panel de control o internas no funcionan	1. La unidad no está conectada al suministro eléctrico. 2. Transformador fallado. 3. Conexiones flojas o corroídas. 4. Foco quemado	1. Conecte el cable GFI de alimentación al artefacto. Enchúfelo en un tomacorriente que funcione. 2. Verifique que haya 12 VCA a la salida del transformador. Reemplácelo si fuera necesario. 3. Limpie las conexiones y verifique que todos los conectores estén bien enchufados. 4. Reemplace los focos.

# GARANTÍA

La Garantía Broil King® es válida a partir de la fecha de compra y está limitada a reparaciones o reemplazos de partes sin costo alguno de componentes defectuosos en condiciones normales de uso doméstico.

En Canadá y Estados Unidos, el reemplazo se realiza FOB en la fábrica.

En todos los demás países, el reemplazo es FOB al distribuidor Broil King®.

(Contacte a su proveedor para conocer el nombre de su distribuidor Broil King®). Todos los demás costos son responsabilidad del dueño.

Esta garantía se le otorga únicamente al comprador original como se indica en el registro de garantía y es válida únicamente para productos de venta al por menor y solo cuando tales productos son utilizados exclusivamente por el comprador en el país donde los compró. (Los diferentes tipos de gas utilizados en distintos países requieren válvulas, orificios y reguladores adecuados)

## LO QUE CUBRE

HORNO	TIEMPO DE VIDA LIMITADO
QUEMADORES	10 Años
PARTES RESTANTES Y PINTURA	2 Años

## LO QUE NO ESTÁ CUBIERTO

Cualquier falla o problema de funcionamiento debido a un accidente, uso indebido o incorrecto, alteración, uso para otros fines, vandalismo, instalación incorrecta o mantenimiento o reparación inadecuados, o el incumplimiento del mantenimiento de rutina, incluyendo, pero sin limitarse a, daños causados por insectos dentro de los tubos del quemador, como se especifica en el manual del propietario.

Deterioro o daños debidos a condiciones meteorológicas severas, como granizo, huracanes, terremotos o tornados, decoloración debido a exposición a productos químicos ya sea directamente o en el ambiente.

Costos de envío o transportación.

Costos de devolución o reinstalación.

Costo de mano de obra por reinstalación o reparaciones.

Costo de llamadas de servicios técnicos.

Responsabilidad por daños indirectos o consiguientes.

Parrillas a gas que se consideren de uso colectivo o parrillas a gas que no sean utilizadas ni reciban mantenimiento directamente del comprador.

## PARTES DE REPUESTO

Para los reemplazos, siempre debe utilizar "Partes auténticas para Parrillas a gas Broil King®". El uso de cualquier otra parte anulará automáticamente la garantía descrita anteriormente.

## QUEMADORES

La vida de los quemadores Broil King® (hechos de acero inoxidable) depende casi completamente de su uso, limpieza y mantenimiento adecuados. Esta garantía no cubre fallas causadas por uso y mantenimiento inadecuados. Para consultar las instrucciones de mantenimiento adecuado, vea la página 64.

## REJILLAS DE COCCIÓN RECUBIERTAS DE PORCELANA

Todas las rejillas de hierro fundido para cocinar de Broil King® están cubiertas con un esmalte de porcelana para facilitar el proceso de limpieza y reducir la tendencia de los alimentos a pegarse a las rejillas. La porcelana es en esencia una cubierta de vidrio. Si las rejillas se manejan incorrectamente, el recubrimiento puede dañarse. Esto no afectará el uso ni el rendimiento de las rejillas. Las rejillas no están aseguradas contra daños ni oxidación derivados de su mal manejo. Consulte la sección "Mantenimiento" (página 64) para ver las instrucciones de cuidado y limpieza de la rejilla de cocción.

## SISTEMAS DE VAPORIZACIÓN

Las parrillas a gas Broil King® están diseñadas para utilizarse con sistemas de vaporización Flav-R-Wave™. El uso de cualquier otro producto anulará automáticamente la garantía.

## FLAV-R-WAVE™

El Flav-R-Wave™ está asegurado contra defectos materiales y oxidación durante un período de 3 años a partir de la fecha de compra. El óxido de la superficie no afectará el rendimiento del Flav-R-Wave™ y no está cubierto por la garantía. Vea la sección "Mantenimiento" (página 64) para consultar las instrucciones de cuidado adecuadas del Flav-R-Wave.

## ENVÍO

Durante los seis (6) primeros meses después de la fecha original de compra, se realizan envíos de cortesía para los encargos de garantía. Después de dicho período, se cobrará el precio del envío en todos los encargos de garantía.

## REGISTRE SU PARRILLA

Puede registrar la garantía de su parrilla utilizando el sitio de Internet [www.broilkingbbq.com](http://www.broilkingbbq.com) o llamando al 1-800-265-2150.

## RECLAMOS DE GARANTÍA

Toda la garantía es manejada directamente por BROIL KING®. Las partes deben devolverse al Departamento de Garantía de BROIL KING®, previo pago anticipado de los costos de envío, acompañado del Número del modelo, Número de serie, y si su parrilla no está registrada, la constancia de compra (copia del recibo de compra o factura). Si la inspección confirma el defecto, BROIL KING® reparará o reemplazará dicha parte de acuerdo con los términos de la garantía.

Al recibir la carta o fax (no por teléfono) puede que BROIL KING®, a su criterio, no requiera la devolución de la(s) parte(s).

## RESIDENTES FUERA DE EE.UU. / CANADÁ

La garantía anterior es gestionada por el distribuidor de BROIL KING® en su país. Contacte a su proveedor para conocer el nombre de su distribuidor BROIL KING®.

