

Model: BLZ-4-CHAR

Features:

- Blaze offers an affordable, commercial style charcoal grill designed with your outdoor BBQ desires in mind.
- Features precision cut, 304 stainless steel components which bring the promise of lasting durability to your outdoor BBQ
- Heavy 8mm stainless steel cooking rods maximize durability
- 4 individual cooking grids with an easy hook and hang system to allow charcoal and wood to be added while cooking
- Beneath the cooking grates, the adjustable charcoal tray offers powerful grilling versatility, allowing you to easily raise the tray when searing at high temperatures or move it down for low-temperature cooking
- Pull out ash pan allows for easy cleanup
- Removable warming rack



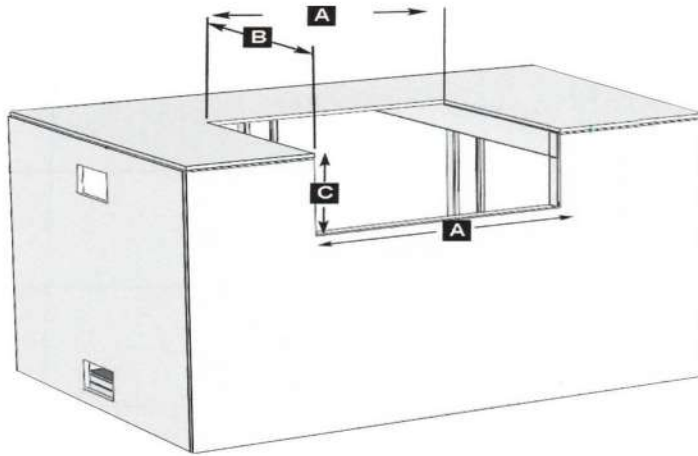
Blaze Grills offers an impressive
Lifetime Warranty

Popular Accessories:

- Blaze Smoker Box (BLZ-SMBX)
- Blaze Rotisserie Kit (BLZ-34-ROTIS-SS)
- Blaze Pizza Stone (BLZ-PZST)
- Blaze Grill Cover (4BICV)



BLZ-4-CHAR PRODUCT SPECS



- Overall Dimensions: 21.25”H x 32.5W x 25.75”D

- Cut Out Dimensions:

(A) 8.5”H x (B) 30.625”W x (C) 21.25”D

Specifications:

- Configurations: Built-In

Installation Accessories:

- Blaze Outdoor Vent Hood (BLZ-WVH-42)

- Blaze Grill Cart for 32” Charcoal Grill (BLZ-4-CART)

Safety Precautions:

-Your application will have additional requirements, consult owner’s manual for full instructions.

- Ensure your island cavity is adequately vented. Number of vents shown in diagram is for informational purposes only. Consult your local licensed professional for adequate requirements.

- Ensure your outdoor kitchen is constructed out of non-combustible materials.

- Cutout dimensions do not allow for lid clearance or other measurement requirements. Consult the Owner’s Manual for specifics.

Important Note to Installer: This file is not intended to replace your Owners' Manual which contains specific safety requirements and consumer guidelines. Please refer to your Owners' Manual prior to installing or operating your built-in grill.