

**Superior**  
FIREPLACES®  
*Our name is our promise.*



The BRT4000 Series, offered in two distinct models BRT43/45, provides uncompromising style, selection and performance. These premium b-vent radiant (clean-face) designs offer a multi-dimensional refractory log arrangement, dual tube burner and ember bed to provide continuous ambiance without additional heat to the room.



**FEATURED** BRT4336 with White Stacked Refractory and Split Oak Log Set

## EXCLUSIVE FEATURES

- 🔥 Available in 36" and 42" radiant (clean-face) models
- 🔥 Both use 6" b-vent
- 🔥 Millivolt (Remote-ready) or electronic ignition
- 🔥 Dual tube burner creates dramatic yellow flames with glowing ember bed
- 🔥 Detailed ceramic fiber "split oak" log set with log grate
- 🔥 BRT43 - White Stacked Refractory Panel Interior
- 🔥 BRT45 - White Herringbone Refractory Panel Interior
- 🔥 Screens retract into hidden screen pockets
- 🔥 Hidden gas controls with damper safety switch
- 🔥 Durable textured powder coat finish
- 🔥 Optional outside air kit for increased performance
- 🔥 Optional remote controls available for all models
- 🔥 Dual access pre-wired electrical J-box
- 🔥 20-year limited warranty





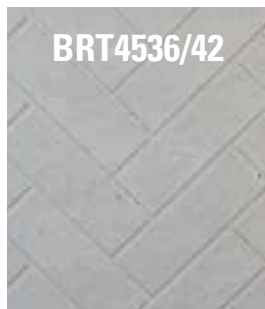
FEATURED BRT4542 with White Herringbone Refractory Panel Interior and Split Oak Log Set

## INTERIORS

(Required)



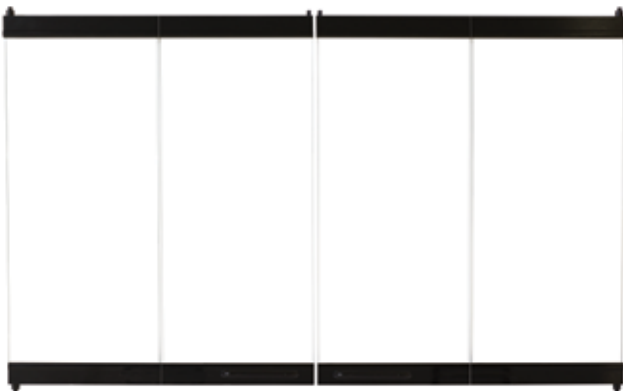
White Stacked



White Herringbone

## EXTERIOR OPTIONS

(Optional)

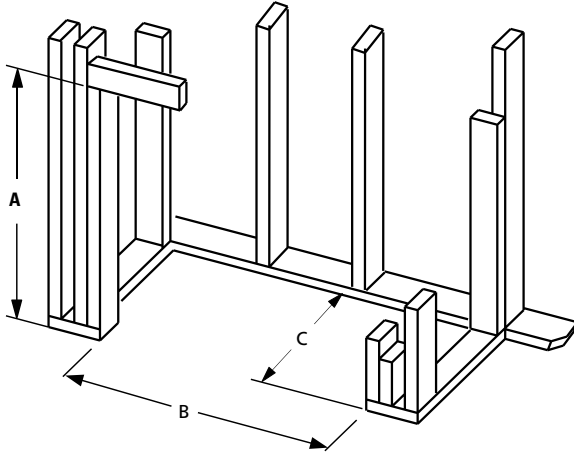


Bi-Fold Glass Doors or Fixed Glass Doors



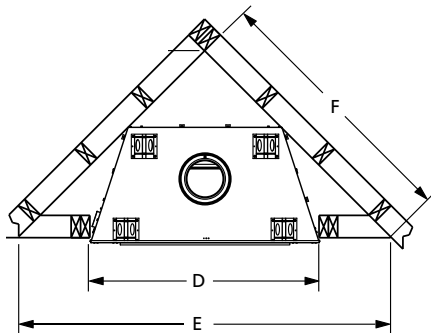
Black

## FLAT WALL FRAMING SPECIFICATIONS



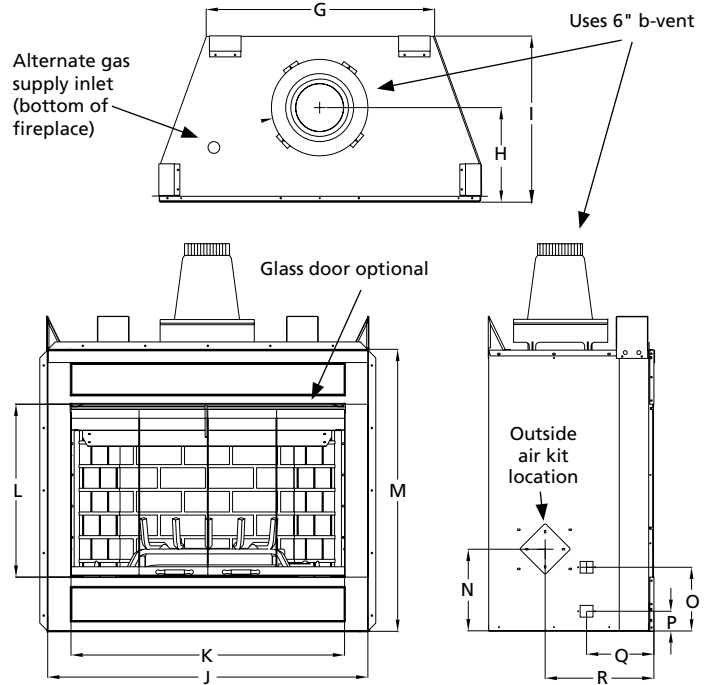
	<b>BRT43/4536</b>	<b>BRT43/4542</b>
A	40-3/8"	44-3/8"
B	41-1/4"	48-1/4"
C	21-3/8"	23-1/8"

## CORNER FRAMING SPECIFICATIONS



	<b>BRT43/4536</b>	<b>BRT43/4542</b>
D	41-1/4"	48-1/4"
E	73-7/8"	83-7/8"
F	52-3/16"	59-5/16"

## APPLIANCE SPECIFICATIONS



	<b>BRT43/4536</b>	<b>BRT43/4542</b>
G	29"	36"
H	12"	14"
I	21-1/4"	23"
J	41"	48"
K	34-3/4"	42"
L	21"	24"
M	36"	40"
N	10-1/2"	12-1/2"
O	8-1/8"	8-1/8"
P	2-1/2"	2-1/2"
Q	8-5/8"	10-1/2"
R	13-7/8"	14"

## FIREPLACE BTU — Listed to ANSI Z21.50 as a decorative gas appliance.

MODEL	FUEL	BTU/HR
<b>BRT4336</b>	NG	40,000
<b>BRT4336</b>	LP	40,000
<b>BRT4536</b>	NG	40,000
<b>BRT4536</b>	LP	40,000
<b>BRT4342</b>	NG	45,000
<b>BRT4342</b>	LP	45,000
<b>BRT4542</b>	NG	45,000
<b>BRT4542</b>	LP	45,000

**ON THE COVER:** BRT4536 with White Herringbone Refractory Panel interior

### IMPORTANT NOTES:

As with any fireplace, this appliance is extremely hot during operation. Read and understand all operating instructions before using this appliance. For further information, consult your dealer.

Local conditions, such as elevation, wind, vent configuration and choice of fuel will affect overall appearance of the fire and heating performance. Performance can also vary with home design and insulation, climate, condition and type of fuel used, appliance location, burn rate, accessories chosen, chimney installation and how the appliance is operated.

Diagrams, illustrations and photographs are not to scale—consult installation instructions. Product designs, materials, dimensions, specifications, colors and prices are subject to change or discontinuance without notice.



© 2019 Innovative Hearth Products

785691M 11/19

