

ARIES CD 33

DIRECT VENT GAS FIREPLACES



The Aries CD 33 compact contemporary direct vent gas fireplace combines beauty, efficiency and value with a clean faced heat-circulating design, reflective black crushed glass floor media, and a beautiful flame presentation. A heat circulating blower, remote and wall controls are available as optional accessories, making the Aries CD 33 the perfect choice for small spaces.

STANDARD FEATURES

- ◆ Available in a 33" model
- ◆ Compact 14" depth is perfect for small spaces
- ◆ Dedicated top flue or dedicated rear flue configuration
- ◆ Electronic ignition with seamless battery backup provides continued operation in the event of a power outage (IPI/CPI switch standard)
- ◆ Outstanding heating efficiency for increased comfort and lower operating costs
- ◆ Standard tempered glass and a protective screen*
- ◆ Reflective black crushed glass media included with optional colors available to customize the look
- ◆ Clean faced heat-circulating design
- ◆ Black painted interior
- ◆ Optional blower and hand-held remote controls available
- ◆ Durable textured powder coat finish
- ◆ Limited lifetime warranty

*All applicable models comply with ANSI Z21.50/88 barrier requirements.

Media



Reflective Black
Crushed Glass
(Standard)



Platinum
Crushed Glass



Reflective Blue
Crushed Glass

Control (Optional)

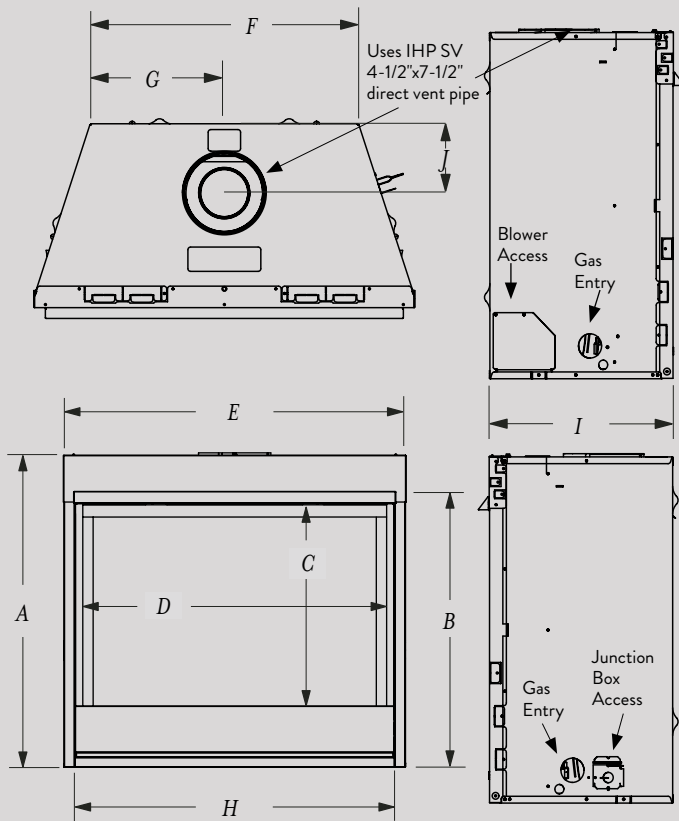


ThermoStatic
Remote



Hand-Held
On/Off
Remote

APPLIANCE SPECIFICATIONS



ARIES CD 33

A	30-1/8"
B	26-1/4"
C	18-3/8"
D	30-1/2"
E	33-5/8"
F	21-7/8"
G	11"
H	31"
I	14"
J	5-1/2"

IMPORTANT NOTES:

As with any fireplace, this appliance is extremely hot during operation. Read and understand all operating instructions before using this appliance. For further information, consult your dealer.

Local conditions, such as elevation, wind, vent configuration and choice of fuel will affect overall appearance of the fire and heating performance. Performance can also vary with home design and insulation, climate, condition and type of fuel used, appliance location, burn rate, accessories chosen, chimney installation and how the appliance is operated.

Diagrams, illustrations and photographs are not to scale—consult installation instructions. Product designs, materials, dimensions, specifications, colors and prices are subject to change or discontinuance without notice.

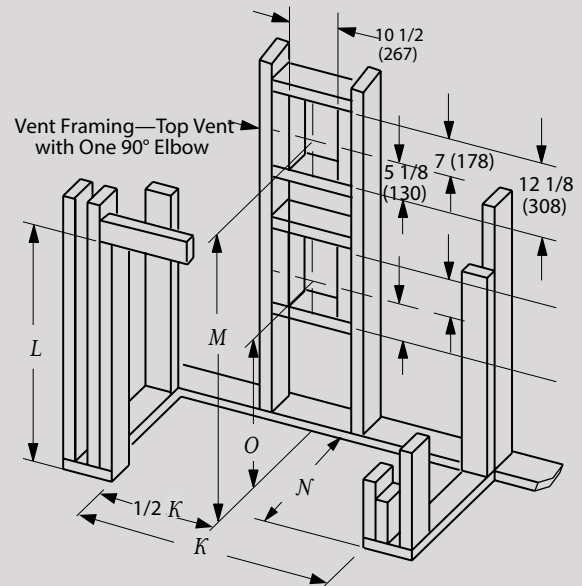
astria
FIREPLACES®

© 2022 Innovative Hearth Products

785879M 02/22

Visit us online
Astria.us.com

FLAT WALL FRAMING SPECIFICATIONS



ARIES CD 33

K	33-3/4"
L	34-1/4"*
M	36-7/8"
N	14-1/2"
O	19-5/8"

* Includes 4" for fold-up standoffs

FIREPLACE EFFICIENCIES

MODEL	FUEL	BTU/HR	AFUE**	P4/ENERGUIDE*
ARIES CD 33	NG	12,000	64%	60.4%/64.8%
ARIES CD 33	LP	10,000	64%	60.4%/64.8%

*Intermittent ignition systems.

**Annual Fuel Utilization Efficiency (AFUE) is the recognized U.S. rating system for the total efficiency of heating products.

PFS
C US
Report #F13-094

