



Blower Installation Instructions

Model: BLOTMC



WARNING: Turn appliance OFF and allow to cool before servicing. Only a qualified service person should service and repair this firebox. A qualified service person must connect and disconnect the firebox to/from the gas supply. Follow all local codes.

Before You Start

NOTE: This instruction sheet is ONLY for models listed below. Carefully inspect the contents for shipping damage. If any parts are missing or damaged, immediately inform the dealer from whom you purchased the blower.

Models: GCUF, MCUF, BUF36/42, VFF32/36, LCUF32/36/42CR-B



WARNING

Electrical Grounding Instructions:

This appliance is equipped with a three-prong (grounding) plug for your protection against shock hazard and should be plugged directly into a properly grounded three prong receptacle.

Kit Contents:

- (1) Blower Assembly w/ Velcro Strips
- (1) Thermostat Sensor w/ Hi-temp Wire
- (1) Speed Control
- (1) Speed Control Bracket
- (1) Air Shield
- (1) Wire Tie
- (1) Hardware Package
- (1) Instruction Sheet

Tools Required:

- Short Handle Phillips Screwdriver
- Small Jeweler's Style Screwdriver
- Pliers or 1/4" Wrench

Wiring Instructions

1. Before installing the blower, wire the receptacle into an electrical circuit. This should be done before framing the fireplace. Wire with minimum 60° C wire in accordance with prevailing codes.
2. Remove the external junction box cover by removing the screw from the left side of the outside firebox wall. Junction box was installed at the factory.
3. The junction box cover has a factory installed "romex" style strain relief connector. After connecting the wires, route the wire leads through this connector. Refer to the wiring diagram in Figure 1.

Note: Figure 2 shows an alternative wiring method if a remotely located switch is desired.

CAUTION! Electrical connections should only be performed by a qualified licensed electrician. Main power supply must be turned off before connecting fans to the main electrical power supply or performing service.



WARNING

The BLOTMC blower is designed for use with vent free fireplaces manufactured by Hearth & Home Technologies only.

IMPORTANT: Always check local building codes. This installation must comply with local regulations as well as the National Electric Code.

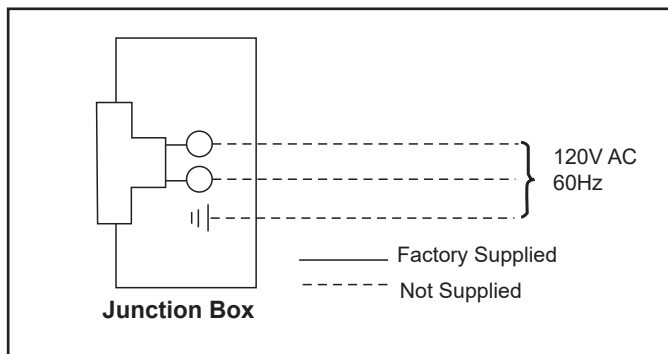


Figure 1 - Junction Box Wiring Diagram

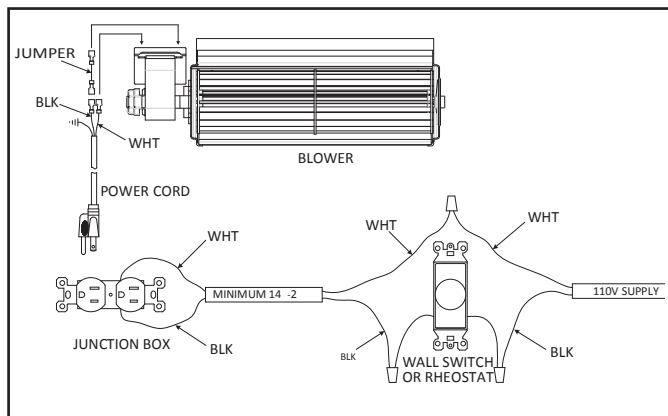


Figure 2 - Wall Switch Wiring Diagram

Blower Instructions

NOTE: Some fireboxes are equipped with a pre-installed blower mounting bracket. If so, follow the instructions for “Install with Blower Bracket”. If the firebox does not have the mounting bracket follow the instructions “Install without Mounting Bracket”.

Install with Blower Mounting Bracket

1. The four (4) Velcro strips are used to insulate blower vibration when using mounting bracket. Be sure to leave in place.
2. For louvered units, remove the lower access door. The blower will slide through the lower door opening. Figure 3. For radiant units, remove the screws securing the center firebox floor and front lip. The blower slides in through the floor opening. Figure 4
3. With blower in lower access compartment, turn the discharge vent so it is facing up. Slip the discharge vent flange under the flange of the mounting bracket flush up against the back wall. Slide the side tabs over into the side flange. Figure 6

Install without Mounting Bracket

1. For louvered units, remove the lower access door. The blower will slide through the lower door opening. Figure 3. For radiant units remove the screws securing the center firebox floor and front lip. The blower slides in through the floor opening. Figure 4
2. Use the supplied Velcro on the blower to secure the blower to the firebox wall and floor.

NOTE: Make sure the area where the Velcro is attached is clean and dry before mounting the blower.

3. Remove the tape from the back of the Velcro and slide the blower into position on the inside back firebox wall. The blower should be centered with the rear blower discharge vent facing up and flat against the firebox back wall and floor. Figure 5

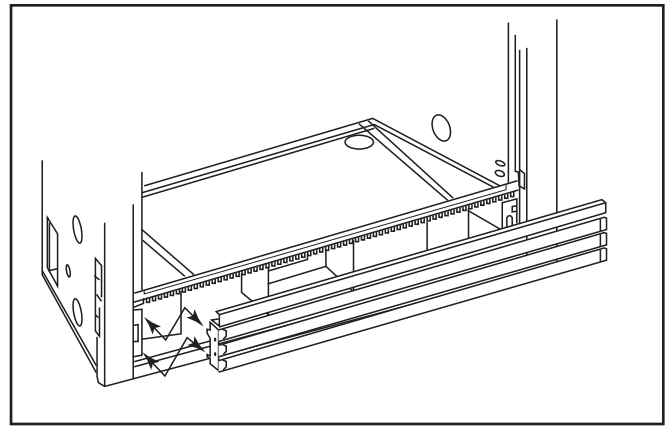


Figure 3

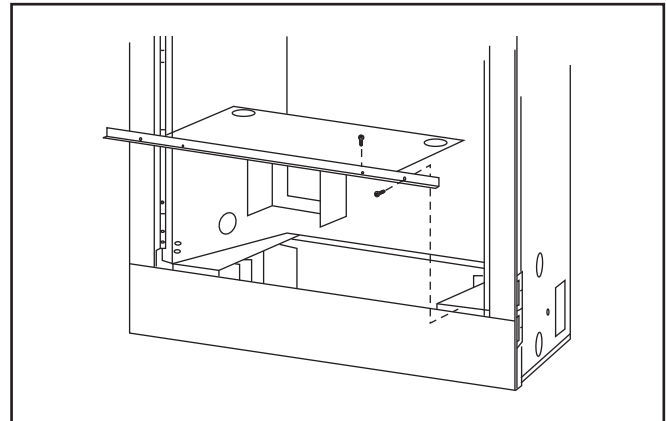


Figure 4

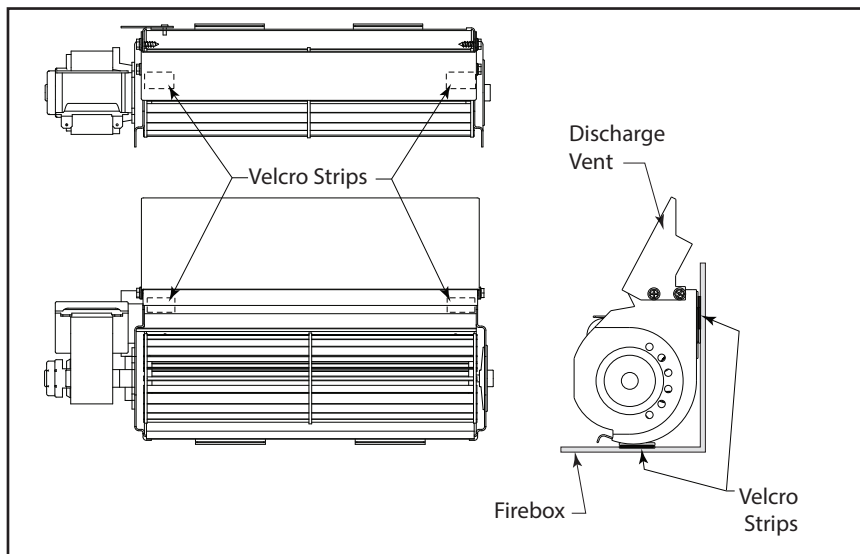


Figure 5

Install Variable Speed Control

1. Pull knob off speed control switch and attach blower switch bracket with two (2) screws supplied. Figure 7. Reinstall knob.
2. Position the blower switch assembly in lower left corner of unit as shown in Figure 8
3. As you hold switch assembly in place, secure unit with two (2) screws provided. Figure 8

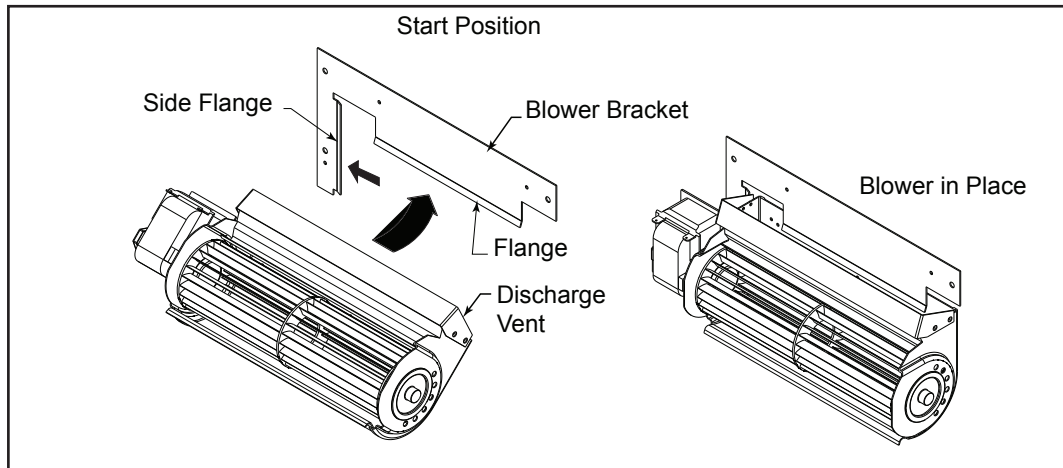


Figure 6

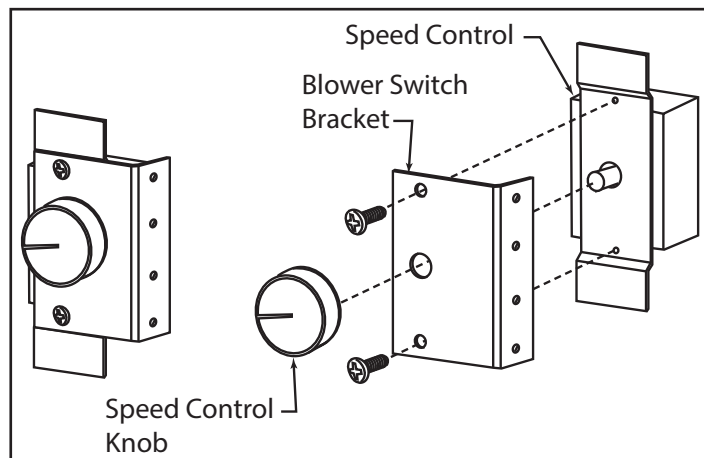


Figure 7 - Speed Control Secured to Bracket

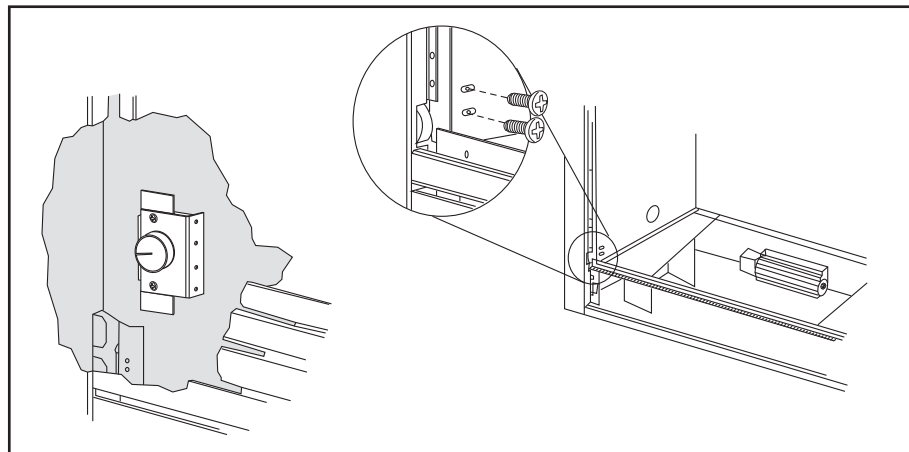


Figure 8

NOTE: Pertaining to BUF36, BUF36-R, BUF42 & BUF42-R.

1. Remove speed control knob from switch.
2. Remove the blower switch bracket. (Discarded for BUF). See Figure 7 on page 3.
3. Position the blower switch assembly in lower left corner of unit.
4. As you hold switch assembly in place, secure unit with one (1) screw. See Figure 9.
5. Re-attach knob.

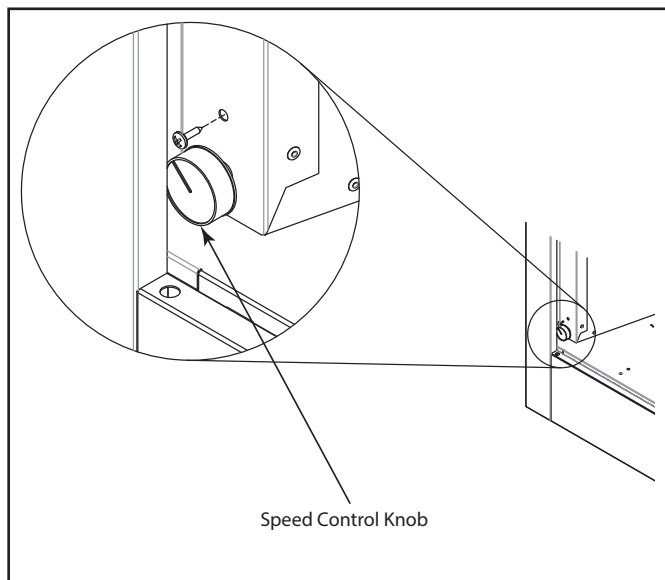


Figure 9

Install the Thermal Sensor - GCUF, MCUF

1. Slide wires in hole on inside firebox opening. Figure 11
2. Pop thermal sensor in hole inside firebox opening. Figure 11
3. Drop the two electrical wires from the thermal sensor switch down the back or the left side of the firebox between the outer and inner wrapper. Figure 11
4. Screw sensor to firebox.

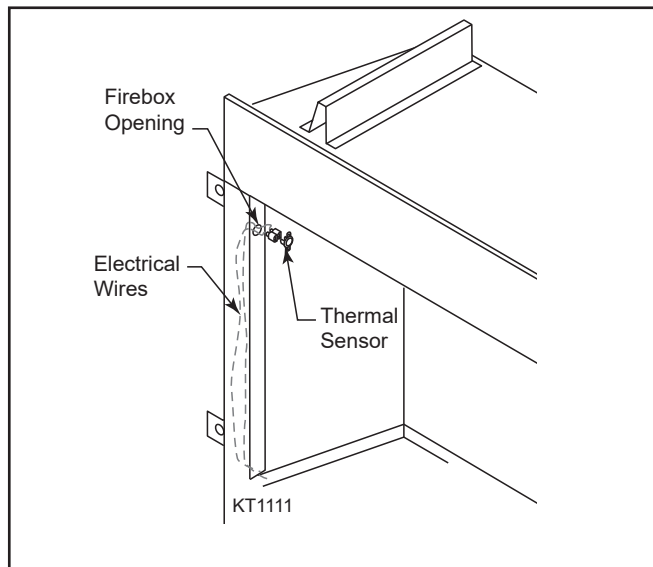


Figure 11

NOTE: Units with serial numbers BUF36/R VF0048744/ BUF42/R VF0048745 and earlier must drill two (2) holes to attach the sensor. See Figure 10.

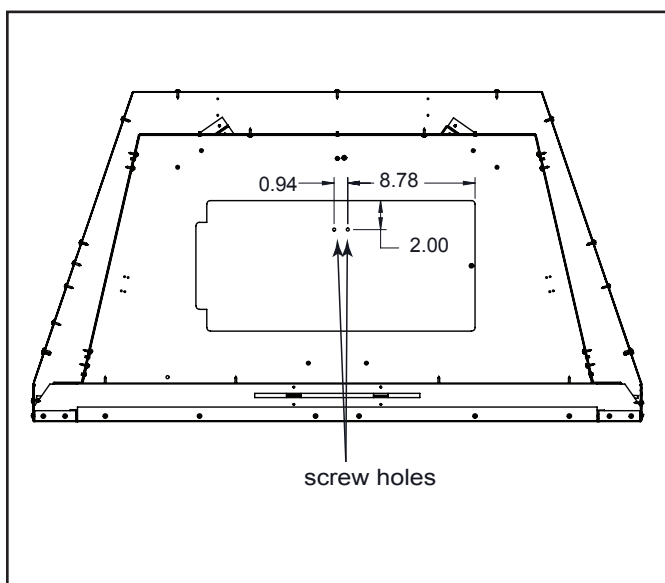


Figure 10

Install the Thermal Sensor- BUF36, BUF36-R, BUF42 & BUF 42-R (Natural Blaze burners only)

1. With access panel in firebox bottom removed, align sensor with holes in firebox bottom approximately 6 in. from left opening and secure to firebox bottom with two (2) screws.

(All other Monessen burners)

2. With access panel in firebox bottom removed, align sensor with holes in access panel and secure with two (2) screws. When installing access panel sensor should be to rear of box.

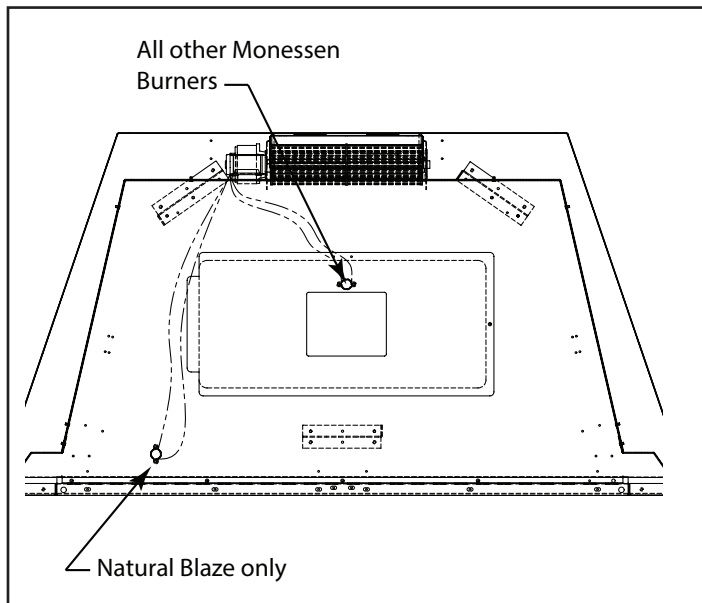


Figure 12

Wiring

1. Connect the wiring according to the wiring diagram. Figure 13
2. Plug in power cord to junction box. Figure 14

WARNING

It is important to arrange the blower wire harness so the wires can not come in contact with the blower fan blades.

Finishing

1. Replace floor if removed earlier.
2. Test blower operation. Set the variable speed blower on the low setting. Turn fireplace on high. The blower should turn on within 10 minutes.
3. If blower does not turn on, turn the fireplace off and allow to cool. Using a small jeweler's style screwdriver, turn the white dial on the side of the speed control 1/8 turn counterclockwise. Figure 15. This will allow the blower to start at a lower speed setting as the fireplace cycles on and off. Retest blower.
4. To use blower, turn the knob on the speed control to the desired speed and blower will work automatically when the fireplace is turned on and off.

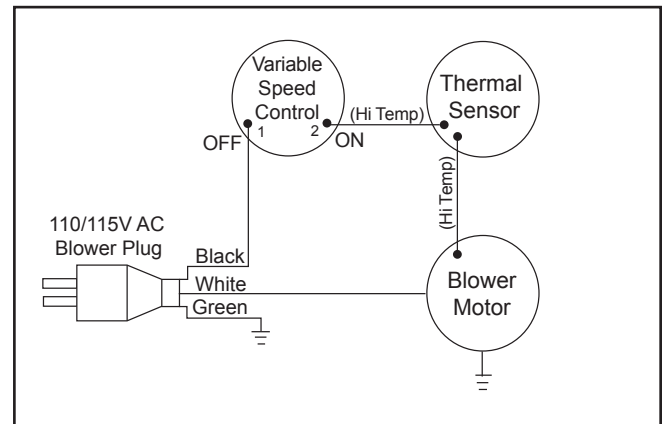


Figure 13

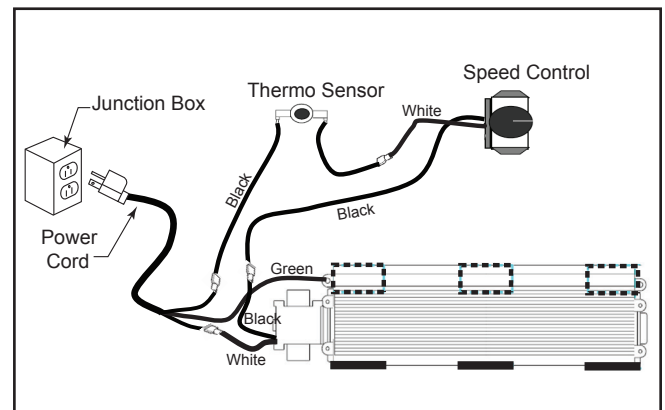


Figure 14

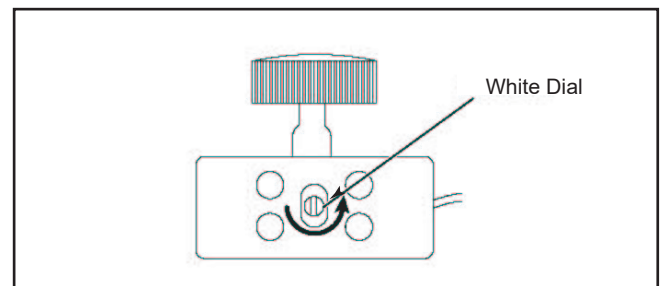


Figure 15

NOTE: Pertaining to the VFF Series

Thermal Sensor Installation:

1. Install the thermal sensor by inserting the wires into the hole at the top of the right-side face. The wires should drop down the channel inside the face to the floor of the unit. See Figure 16.
2. Once the wires are visible from the access panel at the floor level push the thermal sensor flush with the right-side face and attach with 2 screws.
3. Pull the wires toward the back of the unit.
4. Attach wires as per wiring diagram. See Figure 14.

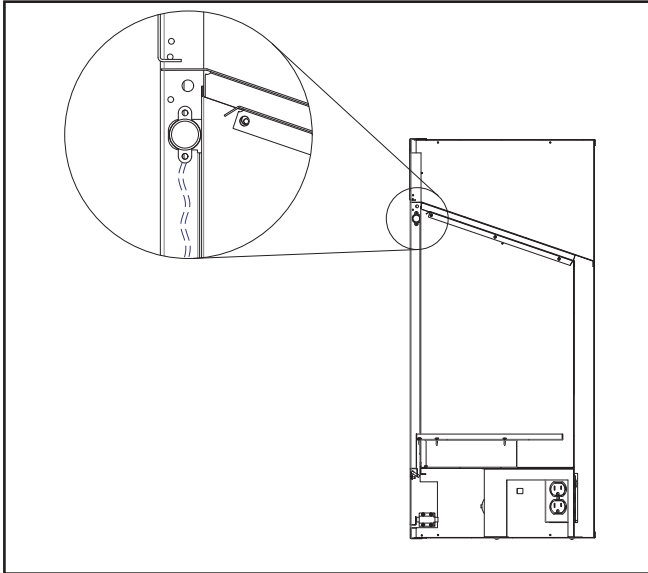


Figure 16

Blower Installation:

1. Remove the lower access door.
2. Slide the blower through the lower access opening to the side of the controls to the rear of the unit.
3. With blower in lower access compartment, turn the discharge vent so it is facing up. Slip the discharge vent flange under the flange of the mounting bracket flush up against the back wall. Slide the side tabs over into the side flange. See Figure 6.
4. If blower is being installed on bench prior to framing, the engine assembly can be removed for easier access to the blower compartment.

Variable Speed Control Installation:

Millivolt Control:

1. Remove the knob from the speed control.
2. Remove Blower Switch Bracket. See Figure 7.
3. Attach the Variable Speed Control to the control panel with the 2 screws previously removed. See Figure 17.
4. Reinstall the knob.

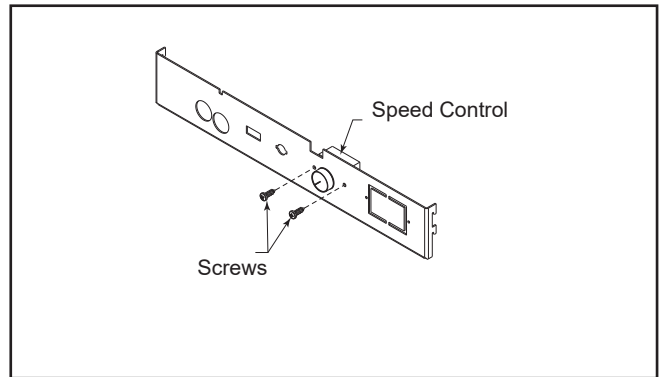


Figure 17

IPI Control:

1. Remove the knob from the speed control.
2. Remove Blower Switch Bracket See Figure 7.
3. Bend the mounting tab on the floor up 90 degrees.
4. Attach the Variable Speed Control to the mounting tab with the 2 screws previously removed. See Figure 18.
5. Reinstall the knob.

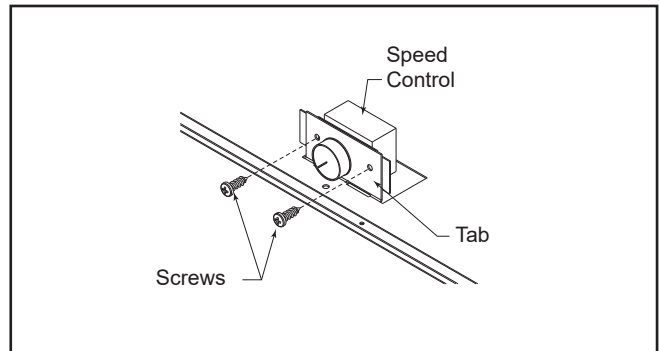


Figure 18

Finishing Installation:

1. Connect all wiring per wiring diagram. See Figure 13.
2. Use wire management clips and wire ties to secure wires.
3. Plug power cord into junction box.

WARNING

It is important to arrange the blower wire harness so the wires cannot come in contact with the blower fan blades.

NOTE: Pertaining to LCUF32CR-B, LCUF36CR-B, LCUF42CR-B

Thermal Sensor Installation:

1. Remove burner and log set if previously installed.
2. Remove firebrick.
3. Remove rear and side access panels. See Figure 19.

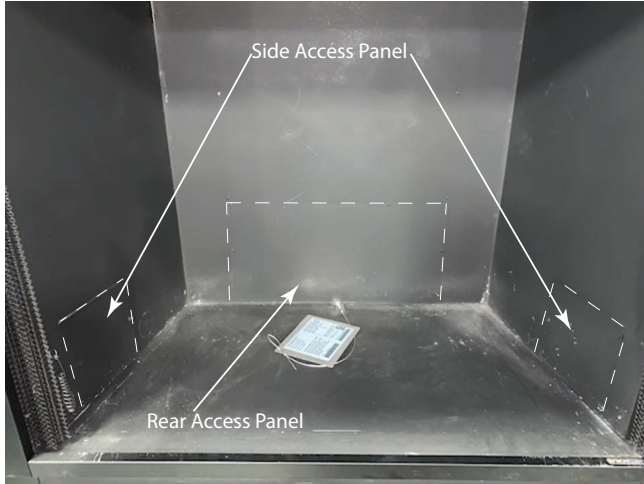


Figure 19

4. Install wires from thermal sensor into hole on right side. See Figure 20.
5. Thermal sensor should be installed in large hole and slid down into place. The tabs of the thermal sensor should rest against the venting support. Attach the thermal sensor with 1 screw nearest the opening.
6. The 2 wires should be visible from the side access panel.
7. Pull the wires toward the back of the unit toward the rear access panel.

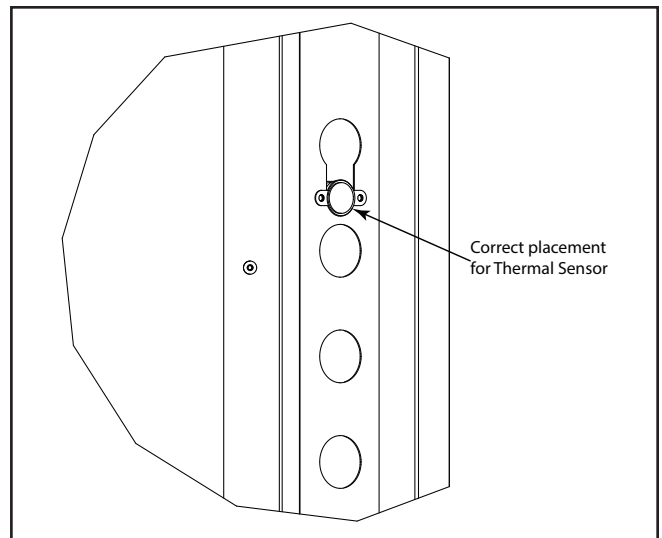


Figure 20

8. Add additional length of wire from blower to speed control and power cable. See wiring diagram. Figure 21.
9. Attach wires as per wiring diagram. Figure 13.

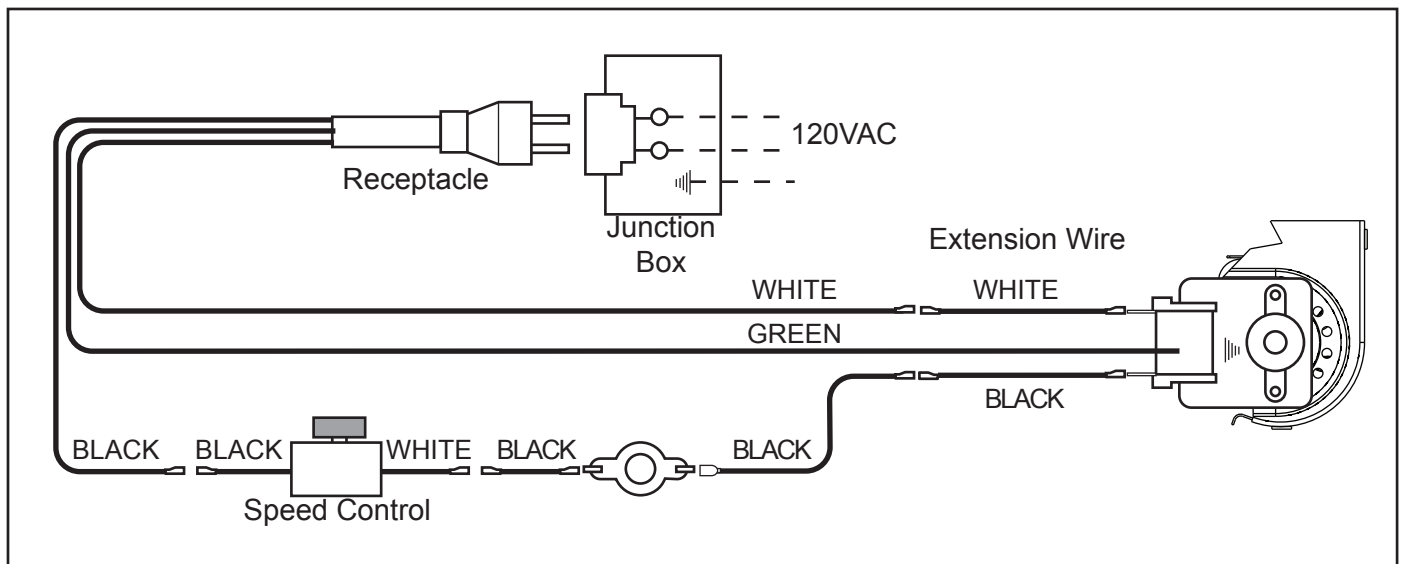


Figure 21

Blower Installation:

1. Install blower through rear access panel, removed previously.
2. Route wires under the blower base
3. Turn the discharge vent so it is facing up. Slip the discharge vent flange under the flange of the mounting bracket flush up against the back wall.
4. Slide the side tabs over into the side flange. See Figure 6.

Variable Speed Control Installation:

1. Remove the knob from the speed control.
2. Remove Blower Switch Bracket. See Figure 6.
3. Using the side access panel removed earlier reattach the variable speed control to the side access panel. See Figure 22.
4. Route wiring along the side of the chamber back towards the blower. Wire per wiring diagram. See Figure 13.
5. Reinstall the side access panel with the variable speed control by adjusting the rheostat to align with the hole in the venting support. The stem should protrude through the hole in the venting support. Attach the side access panel with 1 screw previously removed.
6. Reattach knob onto stem of rheostat.

Finishing Installation:

1. Confirm the wires are routed correctly under the blower base.
2. Plug power cord into junction box in FAN plug.
3. Reinstall rear access panel with 6 screws previously removed.
4. Reinstall firebrick panels, burner and log set if previously installed. Refer to burner / log set instructions for correct placement.

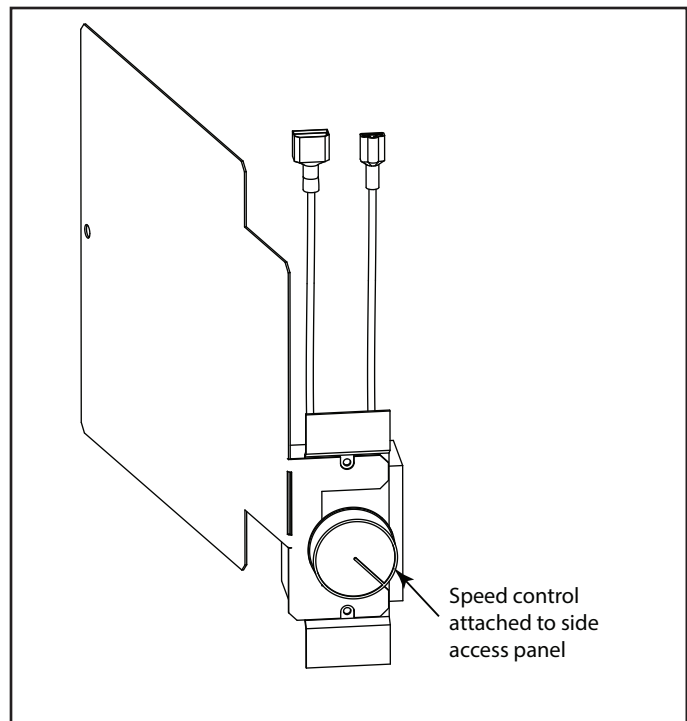


Figure 22



LOVE AT FIRST LIGHT

Monessen, a brand of Hearth & Home Technologies
7571 215th Street West, Lakeville, MN 50044
www.monessenhearth.com