



STANDARD FEATURES

- ◆ Available in 35", 40" and 45" models
- ◆ Mid-size 17" depth saves installed floor space
- ◆ Dedicated top or rear flue configuration (45" model is a combo top/rear)
- ◆ Millivolt or Electronic ignition with seamless battery backup provides continued operation in the event of a power outage (IPI/CPI switch std).
- ◆ Outstanding heating efficiency for increased comfort and lower operating costs
- ◆ Standard tempered glass and a protective screen*
- ◆ Detailed ceramic fiber log set with grate
- ◆ Face selections include a Classic inside fit façade or one of several Designer overlap fit façades (required)
- ◆ Black painted interior (optional liners available)
- ◆ Optional blower and hand-held remotes control available for all models
- ◆ Durable textured powder coat finish
- ◆ Limited lifetime warranty

*All applicable models comply with ANSI Z21.88 barrier requirements.

FACADES (One Required)



CLASSIC — Black



ARTISAN — Charcoal/Aged Iron



REFLECTION — Black



REFLECTION — Warm Chestnut



CRAFTSMAN — Black



CRAFTSMAN — Warm Chestnut



Thermostatic
Remote
(Optional)



Hand-Held
On/Off Remote
(Optional)

CONTROLS

LINERS



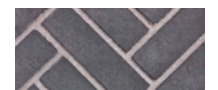
Black Painted (Standard)



Black Reflective



Black Tie Stacked



Black Tie Herringbone



Heritage Brown Stacked



Heritage Brown Herringbone



Blended Brown Stacked

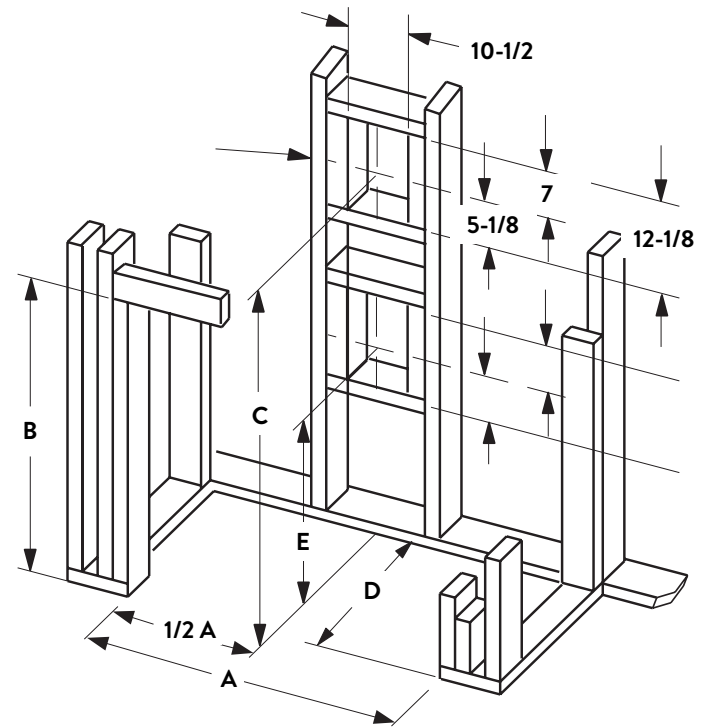
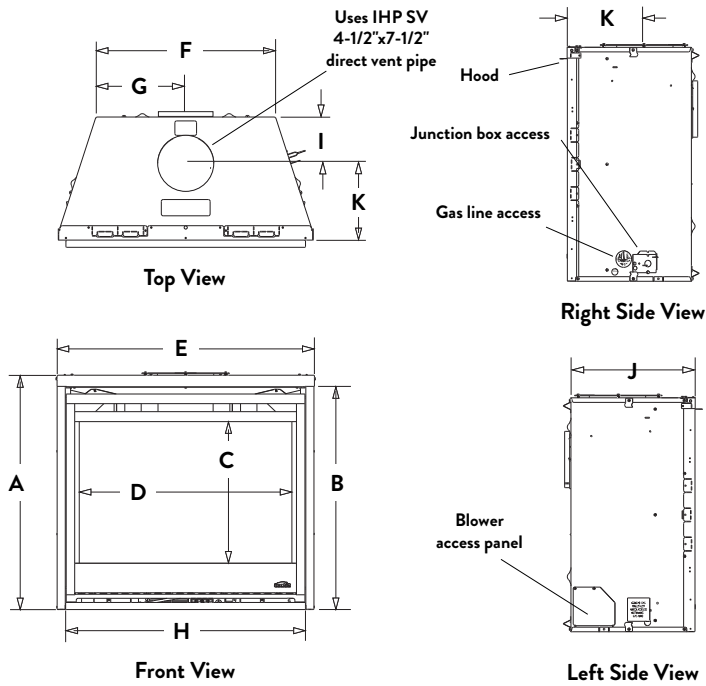
STANDARD

PORCELAIN

CERAMIC FIBER

APPLIANCE SPECIFICATIONS

FLAT WALL FRAMING SPECIFICATIONS



	ARIES 35" MODELS	ARIES 40" MODELS	ARIES 45" MODELS
A	32-1/8"	37-1/8"	37-1/8"
B	30-1/2"	35-1/2"	35-1/2"
C	19-1/2"	24-1/2"	24-1/2"
D	29-1/4"	34-1/4"	39-1/4"
E	35-1/4"	40-1/4"	45-1/4"
F	25"	30"	35"
G	12-1/2"	15"	17-1/2"
H	32-7/8"	37-7/8"	42-7/8"
I	6-7/8"	6-7/8"	6-7/8"
J	17"	17"	17"
K	10-1/8"	10-1/8"	10-1/8"

	ARIES 35" MODELS	ARIES 40" MODELS	ARIES 45" MODELS
A	35-7/8"	40-7/8"	45-7/8"
B	36-1/4"*	41-1/4"*	41-1/4"*
C	38-3/4"	43-3/4"	43-3/4"
D	18-1/2"	18-1/2"	18-1/2"
E	23-3/8"	28-1/4"	28-1/4"

* Includes 4" for fold-up standoffs

FIREPLACE EFFICIENCIES – Listed to ANSI Z21.88 as a gas fireplace heater.

MODEL	FUEL	BTU/HR	AFUE**	P4 / ENERGIDE*
ARIES 35	NG	18,000-14,500	65.4%	63.1%
ARIES 35	LP	16,000-13,000	64.7%	63.8%
ARIES 40	NG	21,000-16,000	63.2%	64.2%
ARIES 40	LP	21,000-16,000	64.3%	64.5%
ARIES 45	NG	23,000-18,000	64.1%	63.9%
ARIES 45	LP	21,000-16,000	64.3%	64.1%

*Intermittent ignition systems.

**Annual Fuel Utilization Efficiency (AFUE) is the recognized U.S. rating system for the total efficiency of heating products.

FRONT COVER

Aries 35 with Black Painted Liner and Classic Black Facade

IMPORTANT NOTES:

As with any fireplace, this appliance is extremely hot during operation. Read and understand all operating instructions before using this appliance. For further information, consult your dealer.

Local conditions, such as elevation, wind, vent configuration and choice of fuel will affect overall appearance of the fire and heating performance. Performance can also vary with home design and insulation, climate, condition and type of fuel used, appliance location, burn rate, accessories chosen, chimney installation and how the appliance is operated.

Diagrams, illustrations and photographs are not to scale—consult installation instructions. Product designs, materials, dimensions, specifications, colors and prices are subject to change or discontinuance without notice.

astria
FIREPLACES®

© 2021 Innovative Hearth Products
785755M 11/21

Visit us online
Astria.us.com

PFS
C US
Report #F13-094

