

ASPIRE
BY HESTAN

STANDARD FEATURES

- Single or double sealed burner configurations
- Double side burners: 20,000 Btu/hour front burner and 10,000 Btu/hour rear burner
- Single side burner: 20,000 Btu/hour burner
- Stainless steel sealed burner bowl
- 304 high polished stainless steel 5/16" rod grate
- Electronic spark ignition system with re-ignition capability
- LED front control panel lighting with simple touch on function
- 304 heavy gauge welded body construction
- Stainless steel top cover
- Marquise accented™ control panel
- Zamak die-cast knobs and bezels
- 120V, 60Hz, 1 amp



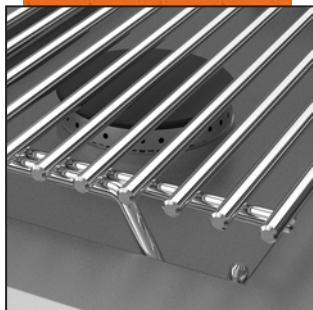
Model shown ABB121

Model shown ABB122

OPTIONS & ACCESSORIES

- Natural Gas (NG) or Liquid Propane (LP)
- Hestan signature color finishes Red-Matador, Black-Stealth, Blue-Prince, Orange-Citra
- High altitude kit
- Gas conversion kits (NG/LP)
- Vinyl Cover

Stainless Steel Rod Grates



Marquise accented™ LED Lighting

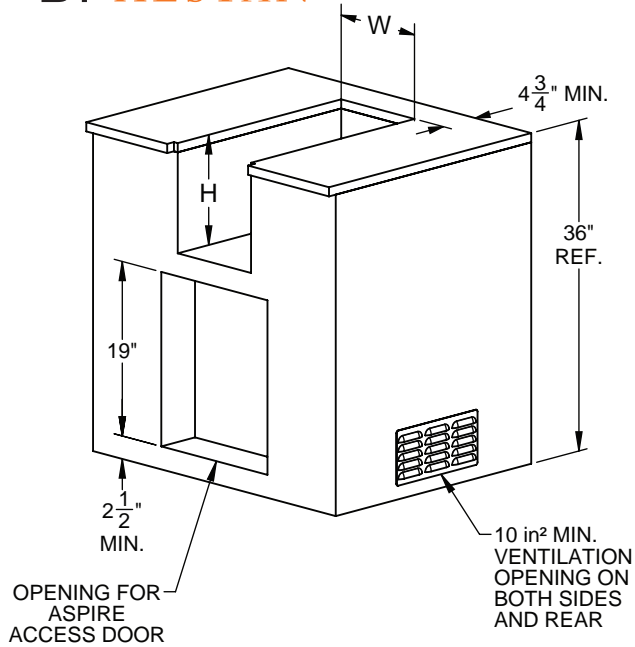


Sealed Burner and Bowl

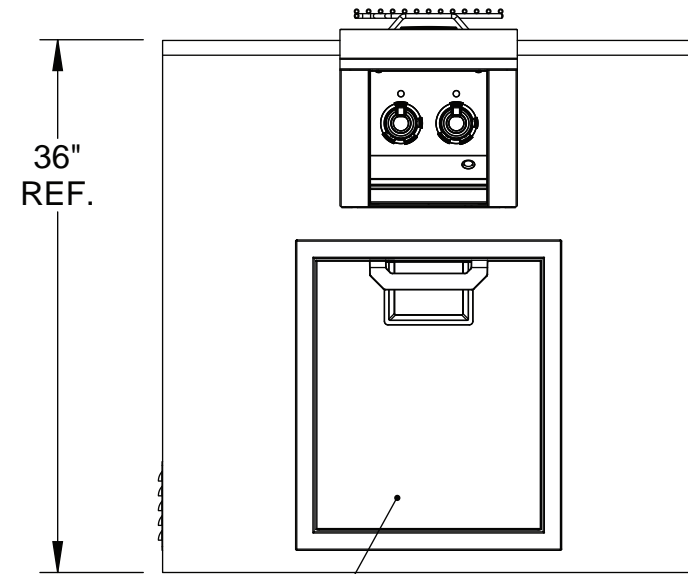


Stainless Cover

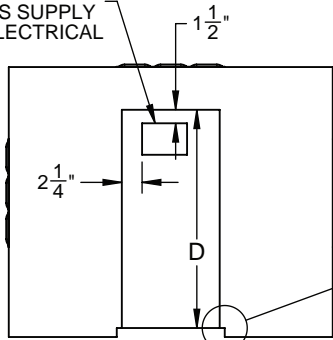




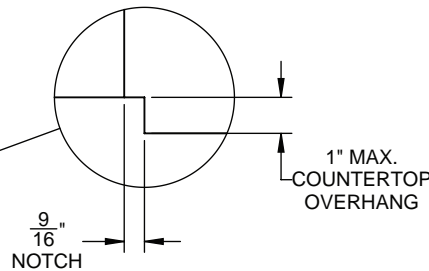
LAYOUT FOR NON-COMBUSTIBLE ENCLOSURE (ISLAND)



3-1/2" X 5-1/2" OPENING FOR GAS SUPPLY & ELECTRICAL



TOP VIEW



ELECTRICAL REQUIREMENTS : 120V, 60Hz, 1 amps

GAS REQUIREMENTS : 1/2" NPT gas connection. Minimum gas supply is 7" water column for natural gas and 11" for propane. Operating pressure at the manifold is 4" water column for natural gas and 10" for propane. All units require a regulated gas supply. (included)

Aspire by Hestan products are approved for outdoor use only. Hestan Commercial Corporation reserves the right to change materials and specifications without notice. Specify type of gas when ordering.



All Models	Description	Cutout Dimensions			Total Btu's
		W(in.)	D(in.)	H(in.)	
AEB121 NG / -LP	Single Side Burner, Built-in, 12"	11	13-7/8	11-1/2	20,000
AEB 122 NG / -LP	Double Side Burner, Built-In, 12"	11	24-1/4	11-1/2	30,000