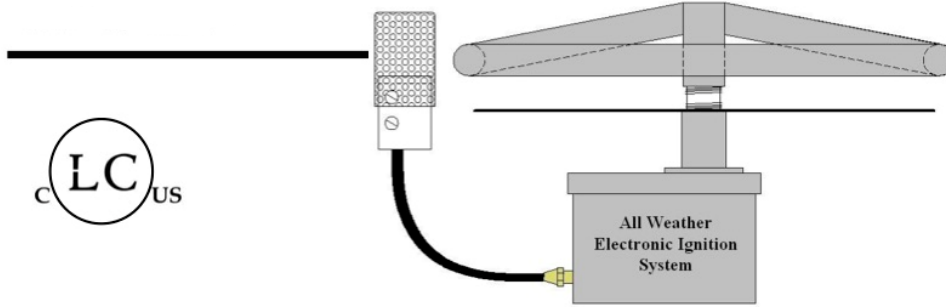


All Weather Electronic Ignition  
Commercial Grade System  
**Owner's Manual**  
Installation and Operation  
**(LINEAR FEATURES)**



Certified by  
Lab Test Certification  
Meets: ANSI Z21.97-2014  
CSA 2.41-2014  
CSA C22.2 No. 3-M1998 (R2014)

**▲ WARNING ▲**

Improper installation, adjustment, alteration, service or maintenance can cause injury or property damage. Read the installation, operating and maintenance instructions thoroughly before installing or servicing this equipment.

**▲ WARNING ▲**

Do not store or use gasoline or other flammable vapors and liquids in vicinity of this or any other appliance.

An LP-cylinder not connected for use shall not be stored in the vicinity of this or any other appliance.

**▲ WARNING ▲**

**FOR OUTDOOR  
USE ONLY**

**▲ DANGER**



**CARBON MONOXIDE HAZARD**

This appliance can produce carbon monoxide which has no odor.

Using it in an enclosed space can kill you.

Never use this appliance in an enclosed space such as a camper, tent car or home.

**▲ WARNING ▲**

For Use with NATURAL or LP GAS Only  
**NO SOLID FUELS TO BE USED WITH THIS SYSTEM**

**▲ DANGER ▲**

If you smell gas:

1. Shut off gas to the appliance.
2. Extinguish any open flame.
3. If odor continues, keep away from appliance and immediately call your gas supplier or fire department.

Installation must conform with local codes or, in the absence of local codes, with the *National Fuel Gas Code, ANSI Z223.1 / NFPA 54, or International Fuel Gas Code.*

The appliance, when installed, must be electrically grounded in accordance with local codes or, in the absence of local codes, with the *National Electric Code, ANSI/NFPA 70, if applicable.*

**INSTALLER:** Leave this manual with the appliance.  
**CONSUMER:** Retain this manual for future reference.