

Smart Burner Collection

96" RC Smart Burner



Black



Included Accessories



Lighting Rod



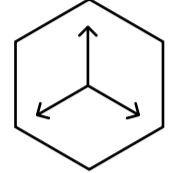
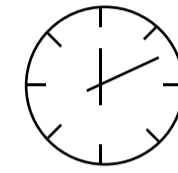
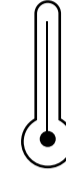
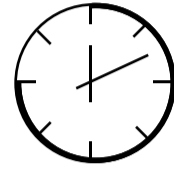
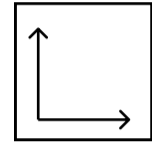
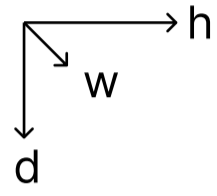
Lighter



Funnel

Smart Burner Collection

96" RC Smart Burner



Dimensions H x W x D mm/in	Fuel Capacity	Heats on Average (indoors)	Fuel Consumption	Thermal Output Net (MAX)	Approx. Burn Time	Minimum Room Size (per burner)
168 x 2438 x 193 6.6 x 96 x 7.6	24L	Over 168m ² [1808 ft ²]	1.14L per hour	25,900 BTU - 64,800 BTU (18.9 kW.h)	21 hours	400 sq. ft.

Awards

2010 Winner Outdoor Hearth Products Vesta Awards

Application

Indoor & Outdoor

Burner Colour

Stainless Steel
 Black

Materials

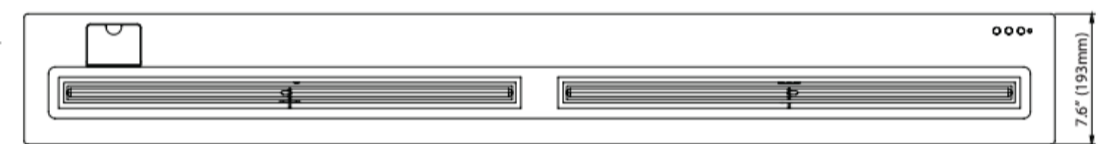
304 Stainless Steel Construction
Insulated Bottom Tray

Remote Info

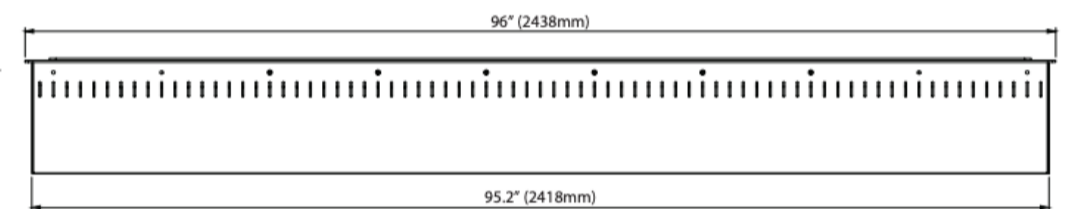
- 6 Adjustable Heat Settings
- Safety Sensors
- WiFi Control Smartphone App
- Automatic Fuel Refill System

Fuel Type

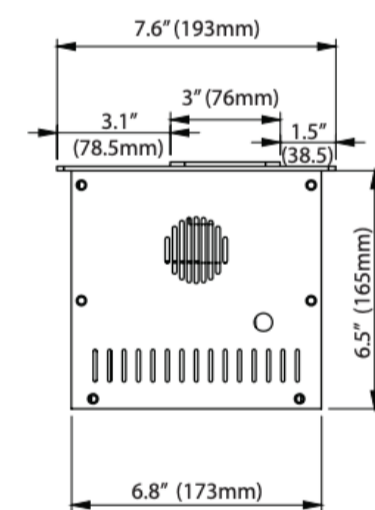
Bio Ethanol Fuel



TOP VIEW



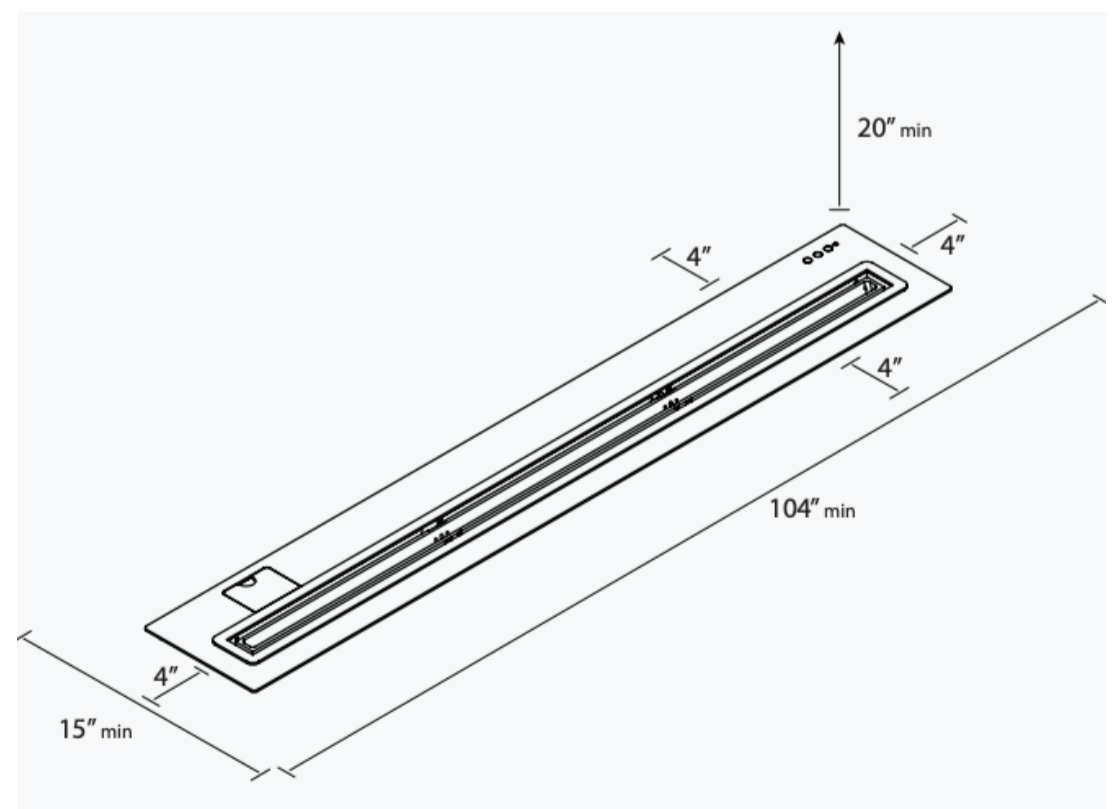
FRONT VIEW



SIDE VIEW

Inserting within a firebox setting:

The Bio Flame 96" RC BURNER can only be fitted into a non-combustible firebox that has minimum clearances of 104"W x 20"H x 15"D



Global Compliance
All burners are UL Listed in accordance with ANSI/UL1370 in the USA and comply with the ACCC Safety Mandate for Australia.



Lifetime Warranty

FOR MORE INFORMATION PLEASE REFERENCE THE CLEARANCE & INSTALLATION MANUAL

*Dimensions may vary by 2% (plus or minus) due to material attributes. Template not provided. The Bio Flame recommends using the actual fireplace or burner model when making final cut out

