

VRL6048

VENT-FREE FIREPLACES



Report No. F22-809

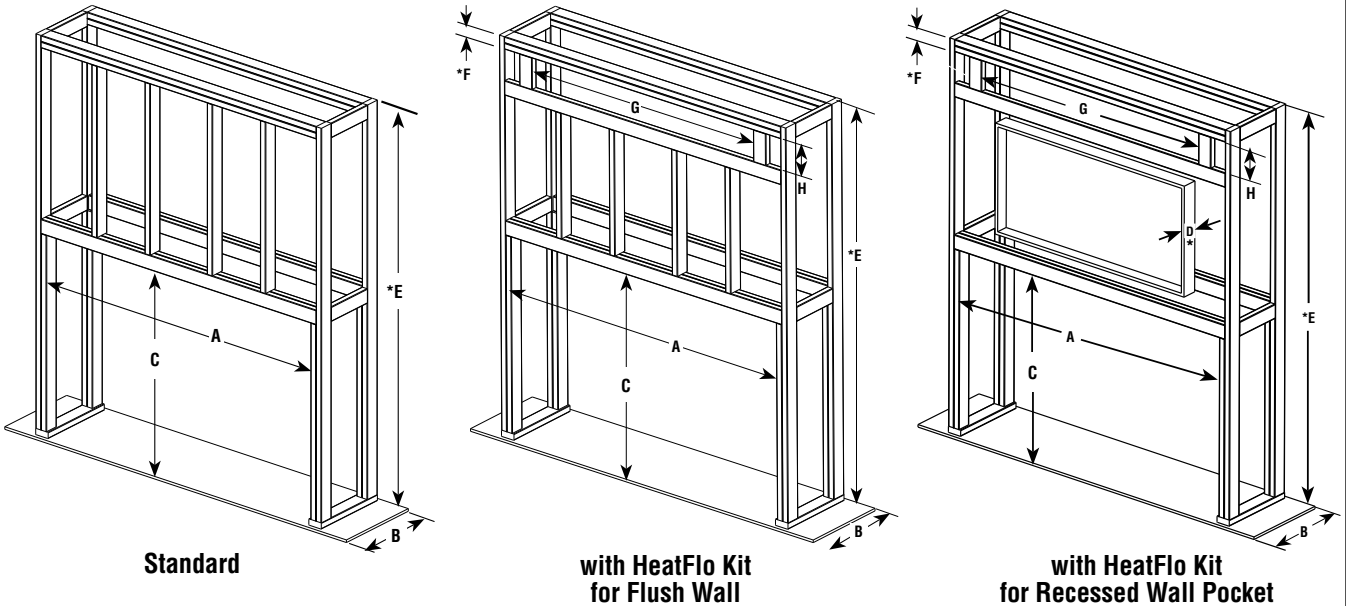
Listed by PFS TECO to - ANSI ANSI Z21.11.2
as unvented Gas-fired room heaters.

Listing

Product Info

Cat. No.	Model	Weight	Cu. Ft.	Input Rate (Btu/Hr)		
					Natural Gas	Propane
F4858	VRL6048ZEN	275 lbs (125 kg)	35.25	High	35,000	---
				Low	28,000	---
F4859	VRL6048ZEP	275 lbs (125 kg)	35.25	High	---	34,000
				Low	---	27,000

Framing Dimensions



⚠ IMPORTANT NOTE

(Refer to Installation and Operation Manual)

HeatFlo Kits allow for a recessed wall pocket above the fireplace. Follow instructions for *Fireplace Framing Dimensions for Recessed Wall Pocket*.

Framing Dimensions - Inches (millimeters)									
		A	B	C	D*	E*	F*	G	H
VRL6048	One Sided Framing	55-5/8 (1413)	19-1/2 (496)	39-1/8 (994)	3-1/2 (89)	84 (2134)	3-1/2 (89)	53-1/2 (1359)	5-1/8 (130)
	See-Thru Framing	55-5/8 (1413)	18-1/2 (470)	39-1/8 (994)	3-1/2 (89)	84 (2134)	3-1/2 (89)	53-1/2 (1359)	5-1/8 (130)

• **Optional See-Thru Kit required for See-Thru installation**

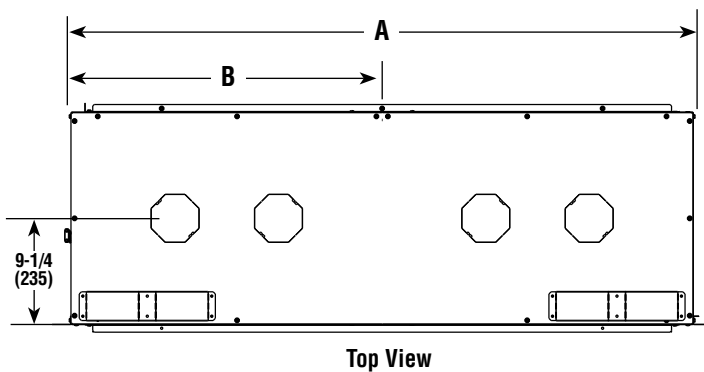
*D. Maximum allowable depth
*E. Minimum height from appliance base to ceiling
*F. Minimum distance from framed opening to ceiling

NOTE: DIAGRAMS & ILLUSTRATIONS ARE NOT TO SCALE.

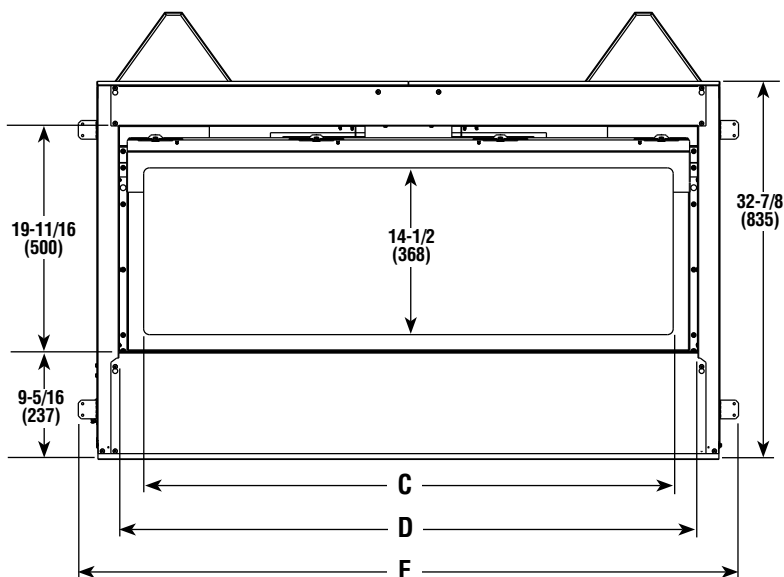
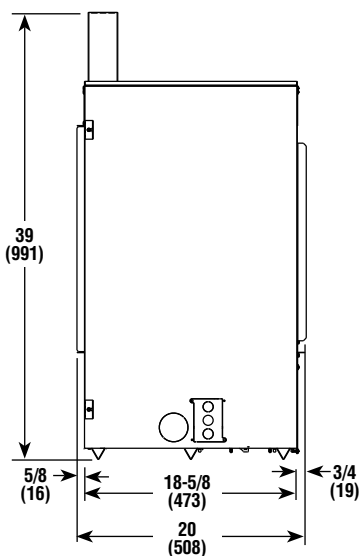
TVs should not be used in situations where the actual TV temperature exceeds the manufacturer's technical specification. Contact the TV manufacturer directly if you cannot locate this information or have questions regarding this information.

VRL6048

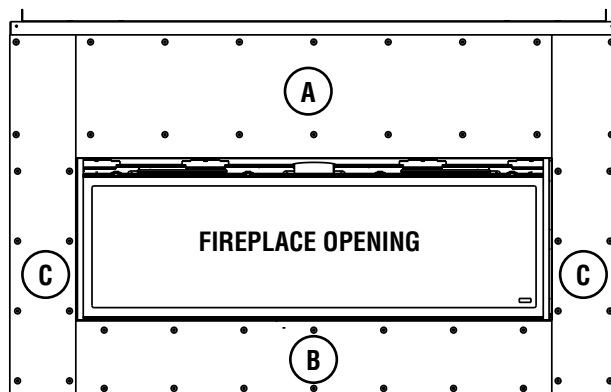
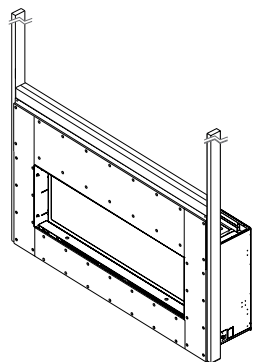
Fireplace Dimensions					
Model	A	B	C	D	E
VRL6048	54-1/4 (1378)	27-1/8 (689)	46 (1168)	50-3/8 (1280)	57-7/16 (1459)



Fireplace Dimensions



Non-Combustible Fireboard		
		Description
VRL6048	A	Fireboard, Top (1/2" x 50-3/8" x 10-3/4")
	B	Fireboard, Bottom (1/2" x 50-3/8" x 9")
	C	Fireboard, Side (1/2" x 40-5/8" x 4-3/8")

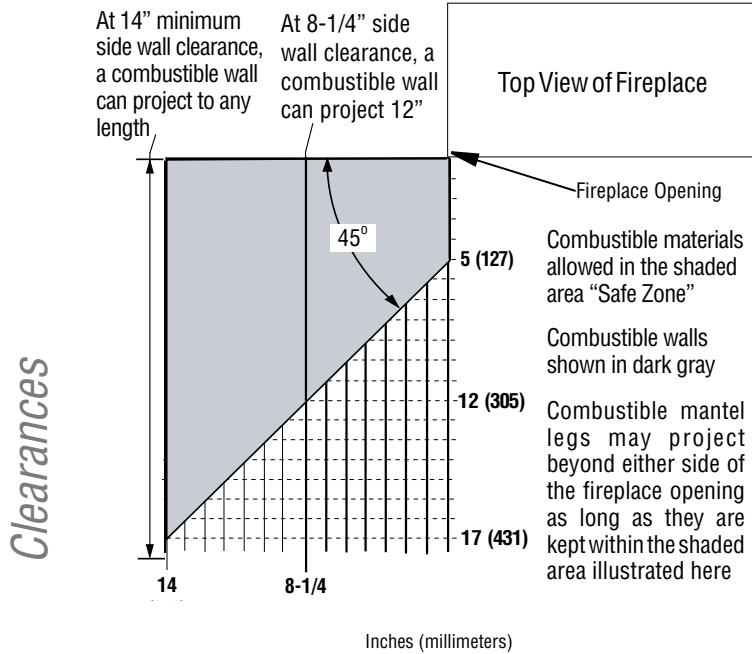


NOTE: Use 1" Self Drill Bugle Drywall Screws to Install Non-Combustible Fireboard (Supplied).

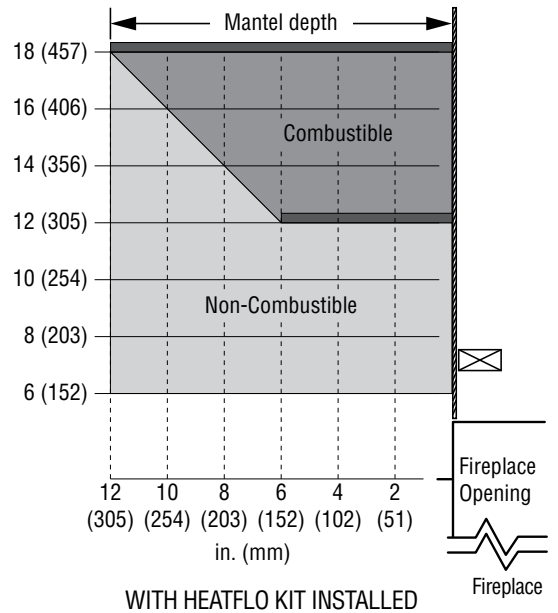
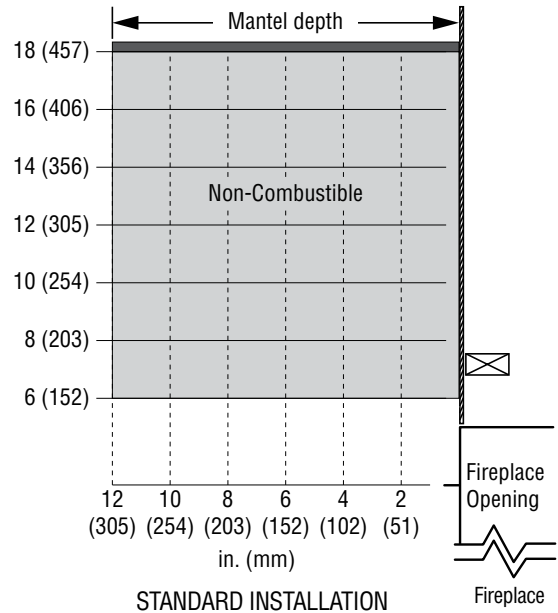
Concrete Fireboard Installed

VRL6048

Side Wall Clearance



Combustible Mantel Clearances

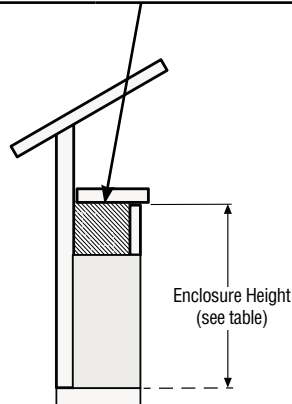


Model	Enclosure Height
VRL6048	60"

CLEARANCES TO COMBUSTIBLES MUST BE MAINTAINED:

No combustible materials or insulation is permitted in the shaded area between the appliance and the shelf above it.

⚠ WARNING: CRITICAL INSTALLATION INFORMATION THAT IF NOT FOLLOWED CAN RESULT IN A SAFETY HAZARD!



Specifications and clearances are subject to change without notice. Refer to Installation Manual before installation of these appliances for updated dimensions and instructions.

NOTE: DIAGRAMS & ILLUSTRATIONS ARE NOT TO SCALE.