

INSTALLATION INSTRUCTIONS FOR INSTALLING PERIMETER TRIM KIT FOR USE WITH LADERA-D AND WRT3920-B WOOD-BURNING FIREPLACES

KIT CONTENTS

- 1 ea. Perimeter Trim Assembly
- 1 ea. Fastener Package: 4 Button head screws
- 1 ea. Instruction Sheet

Perimeter Trim Kit		
Cat. No.	Model	Description
F4837	PTK-BLK	Perimeter Trim Kit, Black

Table 1

TOOLS/SUPPLIES NEEDED

- 5/32" Allen Wrench
- 1/8" Allen Wrench

GENERAL INFORMATION

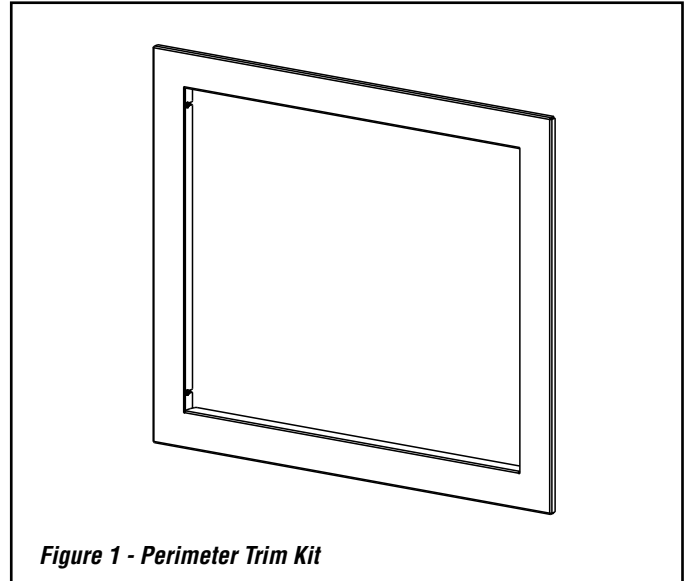
The Perimeter Trim Kit provides a decorative finished look to the fireplace.

If you encounter any problems, need clarification of these instructions or are not qualified to properly install this kit, contact your local distributor or dealer.

Read this instruction sheet in its entirety before beginning.

ALL WARNINGS AND PRECAUTIONS IN THE INSTALLATION AND OPERATION MANUAL PROVIDED WITH THE APPLIANCE APPLY TO THESE INSTRUCTIONS.

SHUT DOWN THE APPLIANCE AND ALLOW IT TO COMPLETELY COOL BEFORE PROCEEDING.



**INSTALLER: Leave this manual with the appliance.
CONSUMER: Retain this manual for future reference.**

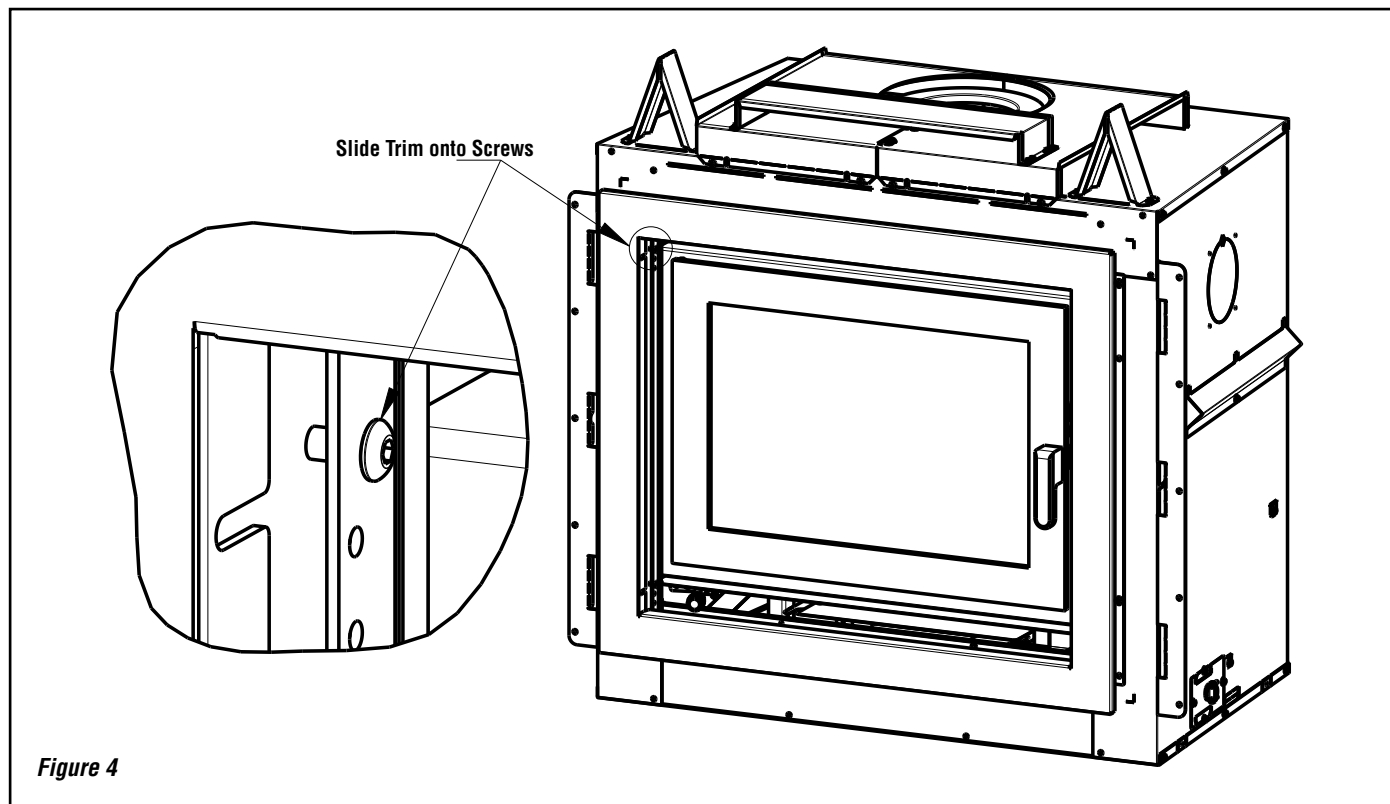
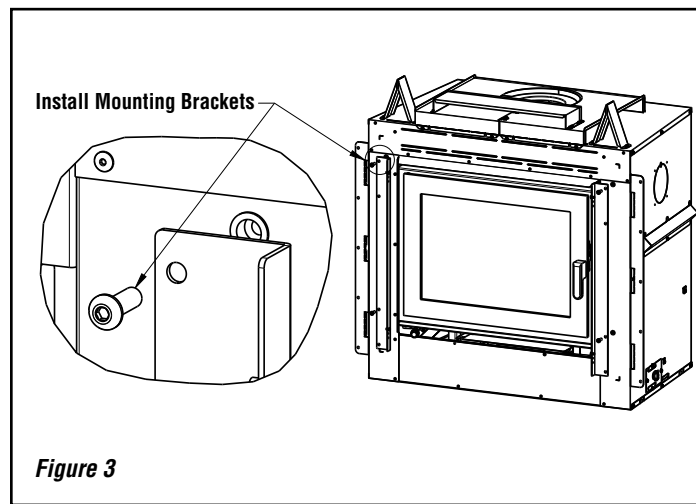
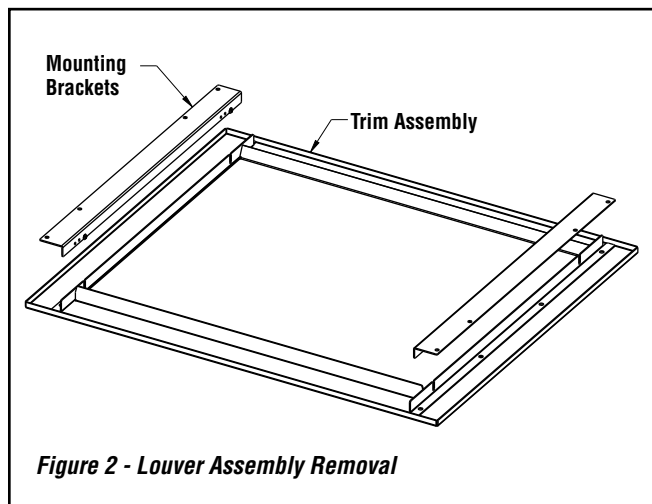
INSTALLATION INSTRUCTIONS

IMPORTANT NOTE

Glass door assembly must be installed on fireplace prior to installing a facade.

INSTALLATION INSTRUCTIONS *(continued)*

1. Carefully unpack the trim kit and place face down on a soft surface to prevent scratching. They both install identically (square opening facade shown).
2. Using an 1/8" allen wrench, loosen (do not remove) the four button head screws holding the mounting brackets to the trim assembly. See **Figure 2**.
3. Install the mounting brackets to the fireplace as shown using the four 1/4"-20 button head screws with a 5/32" Allen wrench (see **Figure 3**).
4. Slide the trim assembly onto the four button head screws loosened in step 2 until it stops on the facing material and tighten screws (see **Figure 4**).



NOTE: DIAGRAMS & ILLUSTRATIONS ARE NOT TO SCALE.

Innovative Hearth Products (IHP) reserves the right to make changes at any time, without notice, in design, materials, specifications, prices and also to discontinue colors, styles and products. Consult your local distributor for fireplace code information.