

**INSTALLATION INSTRUCTIONS FOR INSTALLING FIREBOX LINER KITS.  
FOR USE WITH DRT4000-C & DRT4200-C SERIES GAS FIREPLACES**

**KIT CONTENTS (See Figures 1 and 2)**

Please ensure that all these parts are in the packaging.

- 1 ea. Set of four (4) Hand Bend Brackets
- 1 ea. Left Firebox Panel (A)
- 1 ea. Right Firebox Panel (B)
- 1 ea. Rear Firebox Panel (C)
- 3 ea. Insulation strips (porcelain panels only)
- 1 ea. Instruction Sheet

**TOOLS / SUPPLIES NEEDED**

- Safety Glasses
- Protective Work Gloves

**GENERAL INFORMATION**

**FIELD SERVICE UPGRADES SHALL ONLY BE COMPLETED BY A QUALIFIED SERVICE TECHNICIAN**

**All of these parts may scratch and bend, great care should be used in handling them.**

The four (4) hand bend brackets are included to prevent movement of the ceramic fiber/porcelain firebox panels.

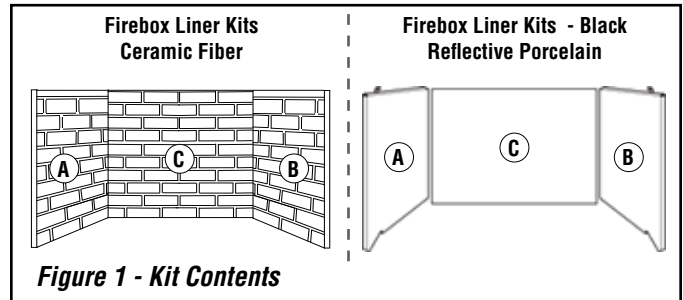
If you encounter any problems, need clarification of these instructions or are not qualified to properly install this kit, contact your local distributor or dealer.

Read this instruction sheet in its entirety before beginning the installation.

**ALL WARNINGS AND PRECAUTIONS IN THE INSTALLATION AND OPERATION MANUAL PROVIDED WITH THE APPLIANCE APPLY TO THESE INSTRUCTIONS.**

**TURN OFF THE APPLIANCE AND ALLOW IT TO COMPLETELY COOL BEFORE PROCEEDING.**

Check the contents of the kits upon receipt and check for any damaged or missing parts. If there is hidden damage, notify your freight company or IHP dealer immediately.



**Firebox Liner Kits**



Blackstone



Blended Brown



Greystone



Black Reflective Porcelain

<b>3 Piece Ceramic Firebox Liner Kits</b>			
<b>Cat. No.</b>	<b>Model</b>	<b>Description</b>	<b>Used on</b>
F4319	FLK4040BLK	Blackstone	40" Models
F4320	FLK4040GREY	Greystone	
F4321	FLK4040BB	Blended Brown	
F4322	FLK4045BLK	Blackstone	45" Models
F4323	FLK4045GREY	Greystone	
F4324	FLK4045BB	Blended Brown	
<b>Porcelain Firebox Liner Kits</b>			
F2914	BPLK40-DVA	Black Porcelain	40" Models
F2915	BPLK45-DVA	Black Porcelain	45" Models

**⚠ CAUTION**

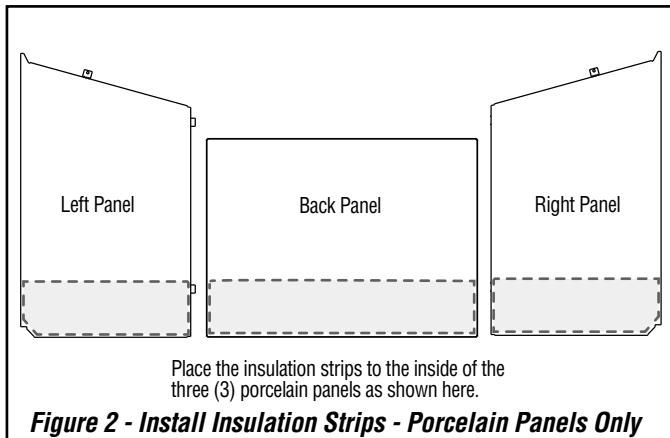
**SHARP EDGES - WATCH YOUR FINGERS**




**Wear gloves to guard against any sharp metal edges.**

## PRE-INSTALLATION (PORCELAIN PANELS ONLY)

Place the insulation pieces (provided) to the inside of the three (3) porcelain firebox panels as shown in **Figure 2**.



## INSTALLATION INSTRUCTIONS

- Step 1.** Turn OFF gas to the fireplace. Refer to the fireplace Installation and Operation instructions, or the pullout lighting instructions in the control compartment for more information.
- Step 2.** Remove Barrier and Glass Door per the fireplace user manual instructions.
- Step 3.** Remove the Logs from the firebox (if installed).
- Step 4.** Remove the three (3) firebox liner panels from the packing materials.
- Step 5.** Take out the four (4) brackets from the sheet metal set by bending the sheet metal until the retaining tabs are broken free.

### WATCH YOUR FINGERS! WEAR GLOVES!

- Step 6.** Pre-bend a bracket and insert the top leg of the bracket between the lintel and top panel as shown in **Figure 4** and install bottom bracket as shown in **Figure 6**.
- Step 7.** Install the rear panel centered and flush to the firebox rear panel (shorter bricks down) (see **Figure 3**).

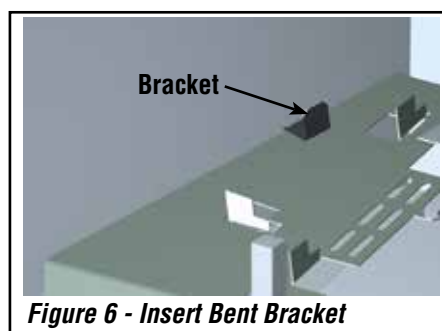
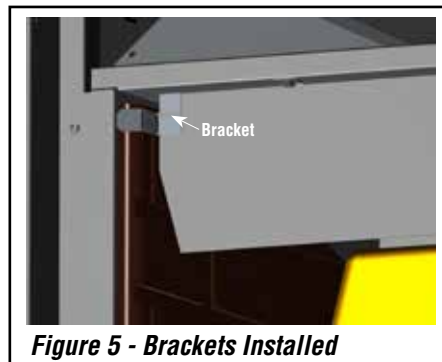
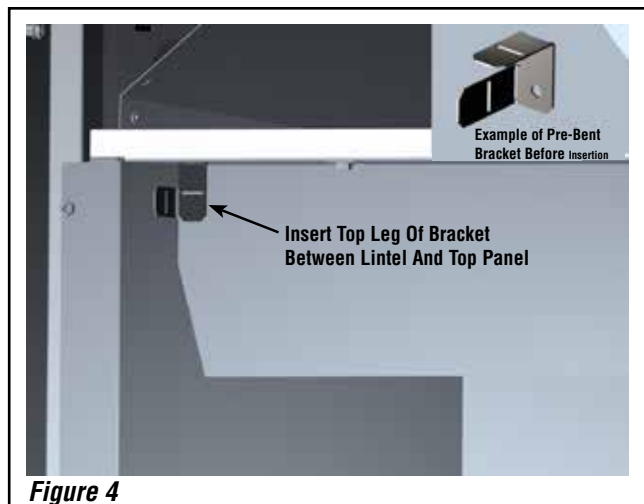
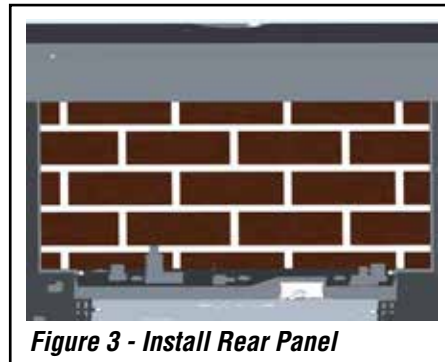
**IMPORTANT NOTE:** Panels are fragile, so hold the rear panel in place with your hand until stabilized with side panel installation in Step 8.

**NOTE:** Do not force the panels. Excessive force may cause breakage. If the panels are correctly positioned, they will fit snugly in place.

- Step 8.** Install the side fiber panel by sliding it between the lintel and side of fireplace inserting the bottom rear edge first. Verify grout line alignment between side and rear panels.
- CAUTION:** Handle the panels with care upon installation to avoid cracks.
- Step 9.** Hand bend the front top bracket by gently pushing the tab over the panel edge as shown in **Figure 5**.
- Step 10.** Install the second side panel by following **Steps 8 to 9** bending the brackets to mirror direction shown on **Figures 4 and 5**.

**Step 11.** Verify the alignment of the side panels with the rear panel.

**Step 12.** Replace Barrier, Glass Door and Logs (if removed) earlier following the instructions in the fireplace User Manual.



Innovative Hearth Products (IHP) reserves the right to make changes at any time, without notice, in design, materials, specifications, prices and also to discontinue colors, styles and products. Consult your local distributor for fireplace code information.