

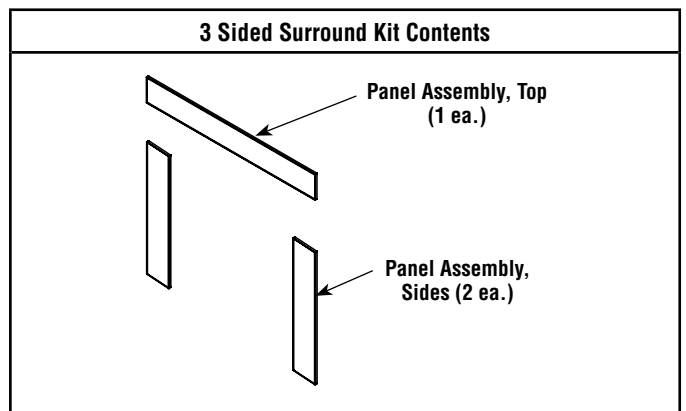
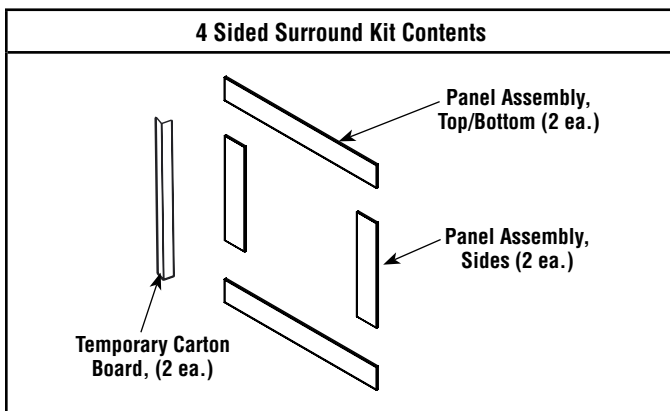


P/N 901030-00
REV. B, 02/2022

FACE SURROUND KIT MODELS:
SURR35-SS4S-B SURR40-SS3S-B
SURR40-SS4S-B SURR45-SS3S-B
SURR45-SS4S-B

INSTALLATION INSTRUCTIONS FOR DECORATIVE FACE SURROUND KIT.

BRAND	UNITS	4 SIDED SURROUND			3 SIDED SURROUND		
		CAT #	Model #	Width x Height	CAT #	Model #	Width x Height
SUPERIOR	DRT2035 DRT3035 DRT3535 DRC3035	F4280	SURR35-SS4S-B	45-1/4" x 41-5/8"	---	---	---
	ASTRIA						
SUPERIOR	DRT2040 DRT3040 DRT3540 DRC3040	F4281	SURR40-SS4S-B	50-1/4" x 46-5/8"	F4283	SURR40-SS3S-B	50-1/4" x 41-5/8"
	ASTRIA						
SUPERIOR	DRT2045 DRT3045 DRT3545 DRC3045	F4282	SURR45-SS4S-B	55-1/4" x 46-5/8"	F4284	SURR45-SS3S-B	55-1/4" x 41-5/8"
	ASTRIA						



MATERIALS NEEDED

High Temperature Construction Adhesive (Not supplied)
 Painter's Tape (Not supplied)

GENERAL INFORMATION

Read this instruction sheet in its entirety before beginning the installation.

If you encounter any problems, need clarification of these instructions or are not qualified to properly install this kit, contact your local distributor or dealer.

Parts may scratch and bend. Great care should be used in handling them.

ALL WARNINGS AND PRECAUTIONS IN THE INSTALLATION AND OPERATION MANUAL PROVIDED WITH THE FIREPLACE APPLY TO THESE INSTRUCTIONS.

TURN OFF THE FIREPLACE AND ALLOW IT TO COMPLETELY COOL BEFORE PROCEEDING.

INSTALLATION INSTRUCTIONS 4 SIDED MODELS

1. Partially peel back protective film from areas where surround panels meet (peel the back up to the front face edge).
2. Apply even coat of adhesive to the back of bottom surround piece (See **Figure 1**). **Note:** Repeat this step to sides and top surround pieces prior to installing.
3. Install bottom surround piece centered with the fireplace onto the wall and flush with bottom face (see **Figure 2**).
4. If additional support is needed, then wedge temporary carton board underneath bottom surround panel (A) and use painter's tape (not supplied) to hold the face to the wall. **Note:** Temporary carton board can be cut to desired length and is used to prevent surround piece from sliding down the wall while adhesive dries.
5. Install side panels (B), flush with edges of bottom surround piece leaving approximately 3/16" reveal between fireplace opening and inner side of surround piece.
6. Install top surround panel (C) (after steps 3 thru 5 are complete) flush with surround sides (see **Figure 4**) **Note:** there should be a slight gap between the hood and the top surround piece for hood removal if needed.
7. Allow the adhesive to cure at least 24 hours prior to the removal of the painter's tape and protective film. Discard the temporary carton board if used.
8. After adhesive has fully dried, peel off remaining protective film from face surround pieces in its entirety.
9. Installation is now complete. **Note:** See **Figure 4** for an illustration of the completed installation

Apply adhesive evenly to entire surface



Figure 1 - Evenly Apply Adhesive to Back of Surround Face (Back View Shown)

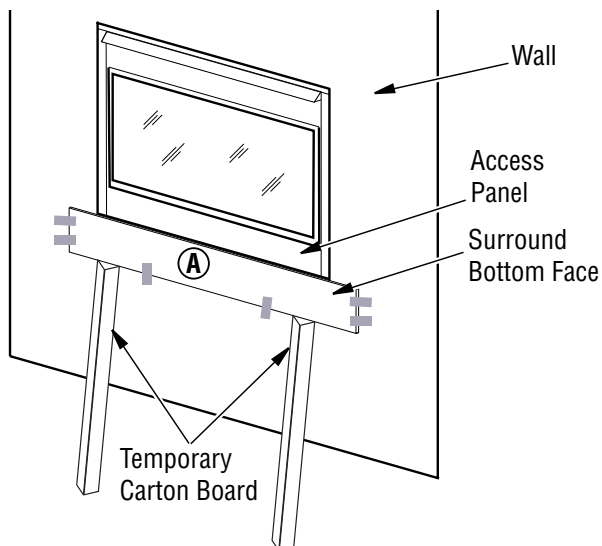


Figure 2 - Bottom Surround Face Installation

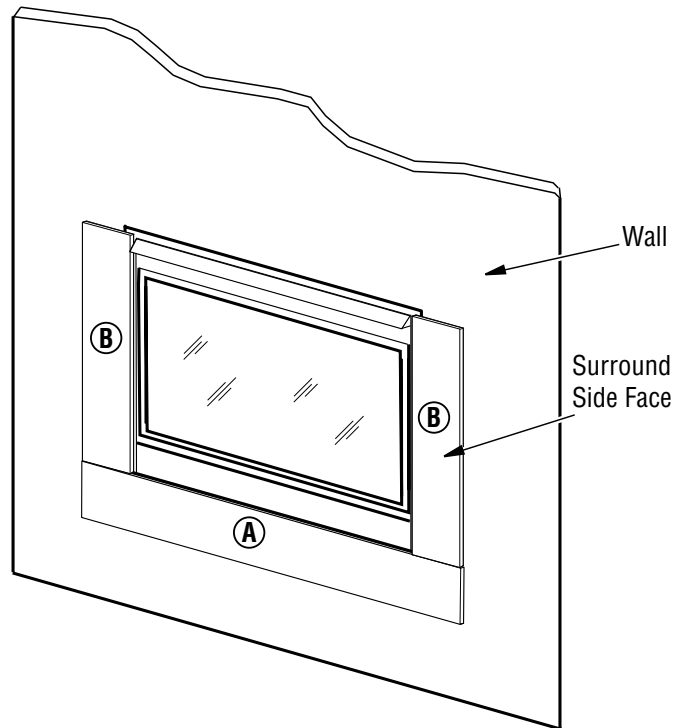


Figure 3 - Sides Surround Face Installation

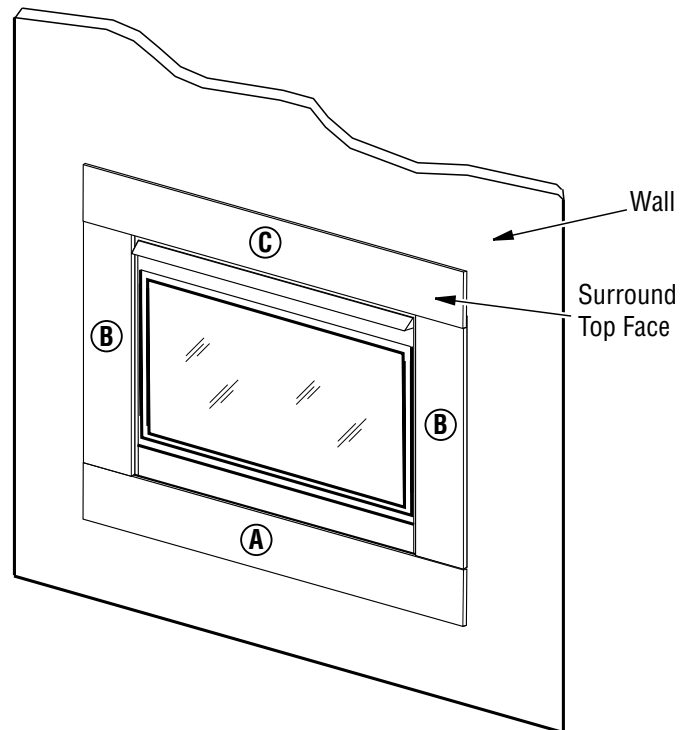


Figure 4 - Top Surround Face Installation

INSTALLATION INSTRUCTIONS 3 SIDED MODELS

1. Partially peel back protective film from areas where surround panels meet (peel the back up to the front face edge).
2. Apply even coat of adhesive to the back of side surround pieces (See **Figure 1**). **Note:** Repeat this step to top surround panel prior to installing.
3. Install side panels (A), flush with floor leaving approximately 3/16" reveal between fireplace opening and inner side of surround piece. If additional support is needed, use painter's tape (not supplied) to hold the face to the wall, as shown in **Figure 2**, page 2.
4. Install top surround panel (B), flush with surround sides as shown in **Figure 5**.
Note: there should be a slight gap between the hood and the top surround piece for hood removal if needed.
5. Allow the adhesive to cure at least 24 hours prior to the removal of the painter's tape and protective film.
6. After adhesive has fully dried, peel off remaining protective film from face surround pieces in its entirety.
7. Installation is now complete.

NOTE: See **Figure 5** for an illustration of the completed installation.

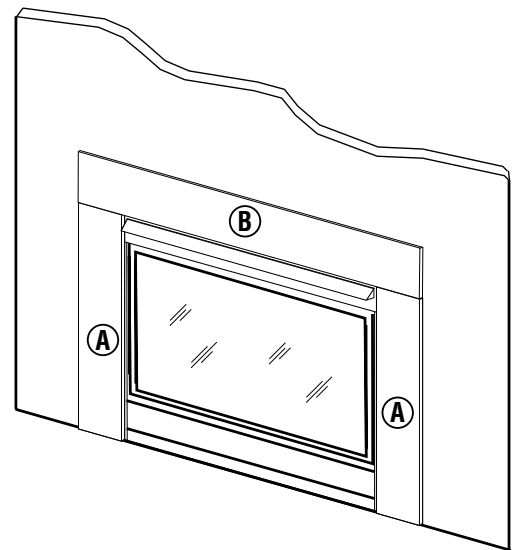


Figure 5 - Installing Three Piece Surround Face

IHP reserves the right to make changes at any time, without notice, in design, materials, specifications, and prices, and also to discontinue colors, styles, and products. Consult your local distributor for fireplace code information.



Printed in U.S.A. © 2022 Innovative Hearth Products
P/N 901030-00 REV. B 02/2022

1769 East Lawrence Street • Russellville, AL 35654

NOTE: DIAGRAMS & ILLUSTRATIONS ARE NOT TO SCALE