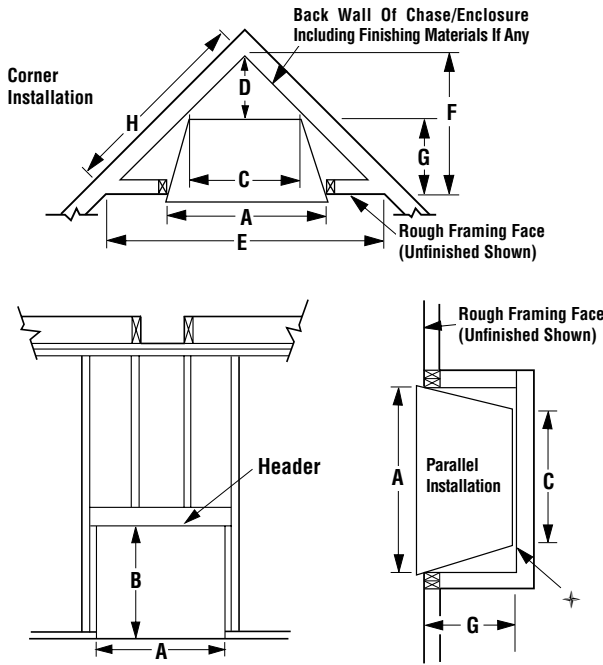


# VRT3200 Series

## Appliance Specifications

## UNIVERSAL VENT-FREE FIREBOXES

Framing Dimensions



Listing



**LISTING:** These Universal Vent-Free (built-in) Fireboxes have been tested and approved as Ventless Firebox Enclosures for Gas-Fired Unvented Decorative Room Heaters to ANSI Z21.91.

**APPROVED GAS LOGS:** These appliances are approved for use ONLY with Vent-Free Gas Log Room Heaters listed to ANSI Z21.11.2 which have an input not to exceed 40,000 BTU/Hr.

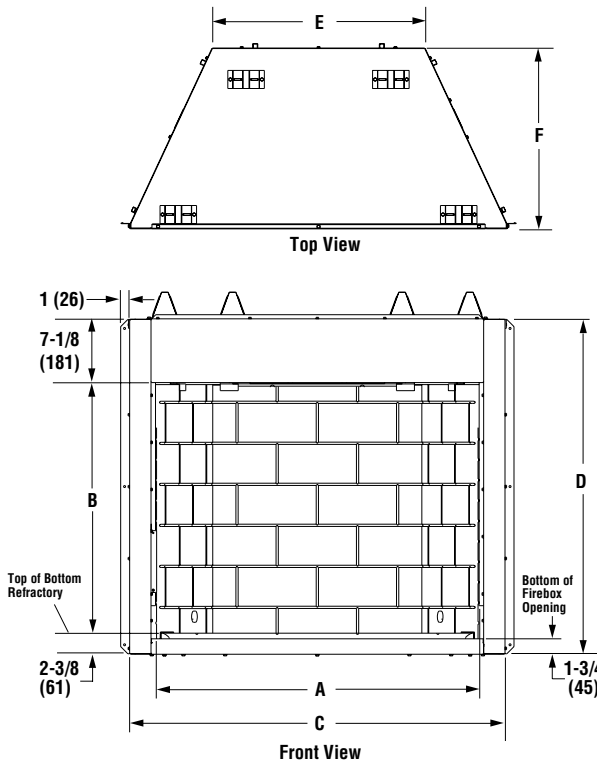
Framing Dimensions			
Opening	32" Models	36" Models	42" Models
A	38-1/4 (972)	42-1/4 (1073)	48-1/4 (1226)
B	40-1/4 (1022)	40-1/4 (1022)	40-1/4 (1022)
C	19-5/8 (499)	23-5/8 (600)	29-5/8 (753)
D	10-1/4 (260)	12-1/4 (311)	15-1/4 (387)
E	59-3/4 (1518)	63-3/4 (1619)	69-3/4 (1772)
F	29-7/8 (759)	31-7/8 (810)	34-7/8 (886)
G*	20-1/2 (521)	20-1/2 (521)	20-1/2 (521)
H	42-1/4 (1073)	45 (1143)	49-3/8 (1254)

\* Back wall of chase/enclosure including finishing materials if any.

**WARNING:**

- Do not fill spaces around the firebox with insulation or other materials.
- Do not notch framing or alter the spacers on the appliance.

Fireplace Dimensions



Interior Firebox Dimensions **			
Firebox Model	32"	36"	42"
Front Width	31"	35"	41"
Rear Width	19-1/4"	23-1/4"	29-1/4"
Depth	19-5/8"	19-5/8"	19-5/8"
Height	27-7/8"	27-7/8"	27-7/8"

\* A hood comes standard and is required for model VRT3232 Series. The factory-supplied hood must be installed on the firebox for safe operation for model VRT3232 in all installations. This part is optional for models VRT3236 and VRT3242 series fireboxes.

\*\* Dimensions are to assist you in selecting a log set that is a compatible size.

Model No.	Dimensions - Inches (millimeters)														
	A	B	C	D	E	F	G	H	J	K	L	M	N	P	*Q
VRT3232WS	33	27-7/8	37-3/4	37-1/4	19-1/2	20	3	3-3/16	15-7/8	7-1/2	12	1-3/8	5-1/2	30-3/8	29-5/8
VRT3232WH	(839)	(708)	(956)	(947)	(496)	(508)	(77)	(81)	(404)	(191)	(305)	(35)	(140)	(772)	(753)
VRT3236WS	36	27-7/8	41-3/4	37-1/4	23-1/2	20	3	3-3/16	15-7/8	7-1/2	12	1-3/8	5-1/2	30-3/8	29-5/8
VRT3236WH	(915)	(708)	(1061)	(947)	(597)	(508)	(77)	(81)	(404)	(191)	(305)	(35)	(140)	(772)	(753)
VRT3242WS	42	27-7/8	47-3/4	37-1/4	29-1/2	20	3	3-3/16	15-7/8	7-1/2	12	1-3/8	5-1/2	30-3/8	29-5/8
VRT3242WH	(1067)	(708)	(1213)	(947)	(749)	(508)	(77)	(81)	(404)	(191)	(305)	(35)	(140)	(772)	(753)

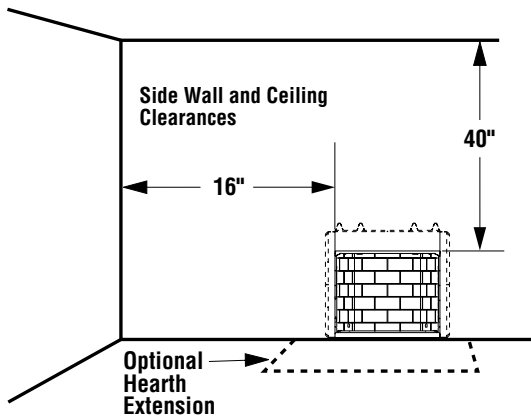
# VRT3200 Series

## UNIVERSAL VENT-FREE FIREBOXES

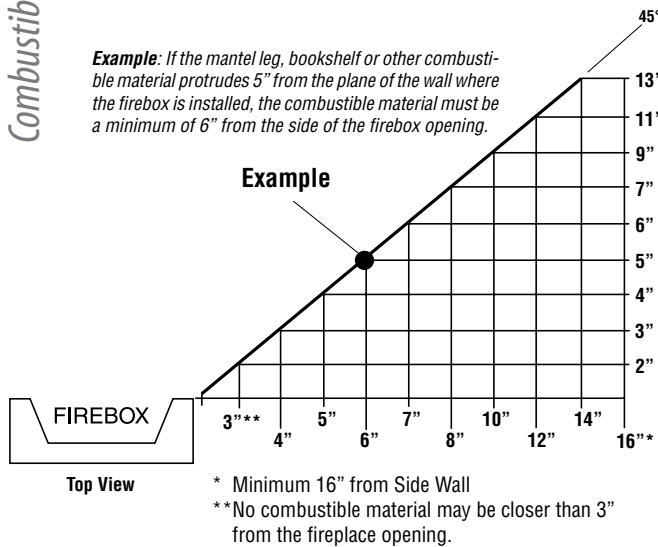
Reference Information

Product Reference Information			
Cat. No.	Model	Ship. Weight (lbs)	Shipping Volume
F4067	VRT3232WS	180 lbs	20 Cu. Ft
F4069	VRT3232WH	180 lbs	20 Cu. Ft
F4070	VRT3236WS	200 lbs	22 Cu. Ft
F4072	VRT3236WH	200 lbs	22 Cu. Ft
F4073	VRT3242WS	230 lbs	26 Cu. Ft
F4075	VRT3242WH	230 lbs	26 Cu. Ft

Combustible Wall and Ceiling Clearances

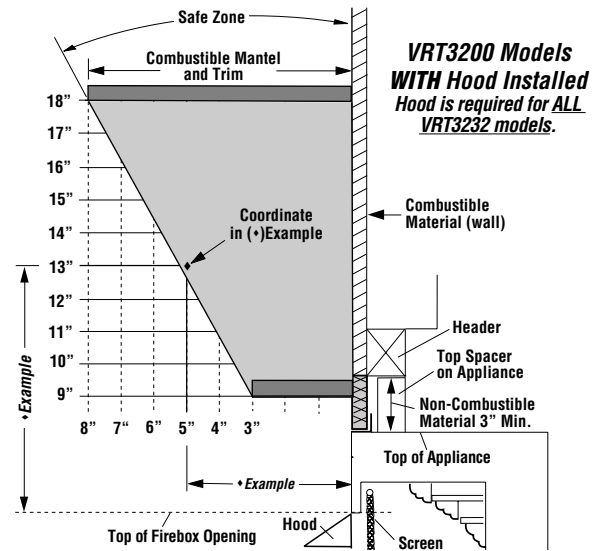


**Example:** If the mantel leg, bookshelf or other combustible material protrudes 5" from the plane of the wall where the firebox is installed, the combustible material must be a minimum of 6" from the side of the firebox opening.



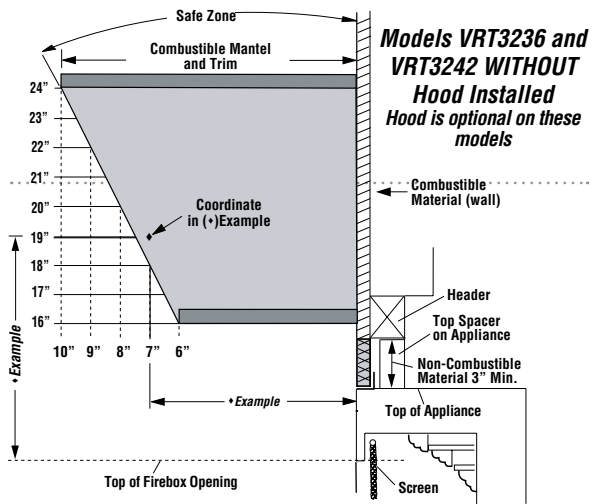
**NOTE:** Diagrams, illustrations and photographs are not to scale – consult installation instructions. Product designs, materials, dimensions, specifications, colors and prices are subject to change or discontinuance without notice.

Combustible Mantel and Trim Clearances



♦ **EXAMPLE:** If you choose to install a mantel that projects 5", you will need to install it so that the bottom of the mantel and trim is approximately 13" or more above Firebox opening (see coordinate in shaded area above).

Combustible Wall Above Appliance



♦ **EXAMPLE:** If you choose to install a mantel that projects 7", you will need to install it so that the bottom of the mantel and trim is approximately 18" or more above Firebox opening (see coordinate in shaded area above).

