

INSTALLATION INSTRUCTIONS FOR GAS CONVERSION KITS FOR USE WITH DIRECT VENT GAS FIREPLACES

[MODELS DRT3000-C & DRC3000-B SERIES ELECTRONIC FIREPLACES]

KIT COMPONENTS

Pilot Orifice, Burner Orifice, Gas Conversion Kit (containing Pressure Regulator Assembly, two (2) screws, Air shutter (40" & 45" DRT3000-C models only), Gas Conversion Identification Label, and installation instructions.

Gas Conversion Kits, DRT3000-C & DRC3000-B Electronic Systems					
Natural Gas (NG) to Propane Gas (LP)			Propane Gas (LP) to Natural Gas (NG)		
Fireplace	Models	Cat. No.	Fireplace	Models	Cat. No.
35"	GCKSIT3035ENP	F3915	35"	GCKSIT3035EPN	F3916
40"	GCKSIT3040ENP	F3917	40"	GCKSIT2040EPN	F3918
45"	GCKSIT3045ENP	F3919	45"	GCKSIT3045EPN	F3920

Table 1

REQUIRED TOOLS AND SUPPLIES

4mm Allen Wrench, Torx Bit (T20 with 1/4" shank and center hole) or Flat Blade Screwdriver, 1/2" Open-End Wrench

TURN OFF THE GAS SUPPLY TO THE APPLIANCE. DISCONNECT ELECTRICAL POWER SUPPLY.

READ ALL THE STEPS BEFORE STARTING THE CONVERSION. INSTALLER NOTICE: THESE INSTRUCTIONS MUST BE LEFT WITH THE APPLIANCE.

When installing gas components use pipe joint compound or Teflon tape on all pipe fittings before installing (Do not use pipe joint compounds on flare fittings).

NOTE: THE FIREPLACE MUST BE OFF AND COLD BEFORE PERFORMING THE GAS CONVERSION.

ALL WARNINGS, PRECAUTIONS AND INSTRUCTIONS IN THE INSTALLATION AND OPERATION MANUAL PROVIDED WITH THE APPLIANCE APPLY TO THESE INSTRUCTIONS.

GENERAL INFORMATION

Gas conversion kits are available to adapt the fireplace from the use of one type of gas to the use of another. These kits contain all the necessary components needed to complete the task including labeling that must be affixed to ensure safe operation.

IMPORTANT CANADA

The conversion shall be carried out in accordance with the requirements of the provincial authorities having jurisdiction and in accordance with the requirements of the CAN/CSA B149.1 Installation code.

IMPORTANT LE CANADA SEULEMENT

La conversion devra être effectuée conformément aux recommandations des autorités provinciales ayant juridiction et conformément aux exigences du code d'installation CAN/CSA B149.1.

WARNING

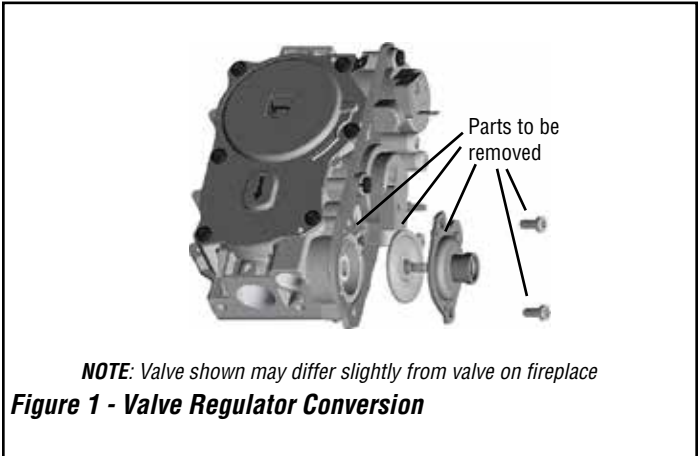
This conversion kit shall be installed by a qualified service agency in accordance with the manufacturer's instructions and all applicable codes and requirements of the authority having jurisdiction. If the information in these instructions is not followed exactly, a fire, explosion or production of carbon monoxide may result causing property damage, personal injury or loss of life. The qualified service agency performing this installation is responsible for the proper installation of this kit and assumes responsibility for this conversion. The installation is not proper and complete until the operation of the converted appliance is checked as specified in the manufacturers instructions supplied with the kit. The qualified service agency performing this installation assumes responsibility for this conversion.

AVERTISSEMENT

Cet équipement de conversion sera installé par une agence qualifiée de service conformément aux instructions du fabricant et toutes exigences et codes applicables de l'autorisés avoir la juridiction. Si l'information dans cette instruction n'est pas suivie exactement, un feu, explosion ou production de protoxyde de carbone peut résulter le dommages causer de propriété, perte ou blessure personnelle de vie. L'agence qualifiée de service est esponsable de l'installation propre de cet équipement. L'installation n'est pas propre et complète jusqu'à l'opération de l'appareil converti est chèque suivant les critères établis dans les instructions de propriétaire provisionnées avec l'équipement.

! IMPORTANT

The burner orifice provided in this kit are only for use at elevations of 0 to 2,000 feet (610 M) in the USA and 0 to 4,500 feet (0-1372 M) in Canada. At higher elevations the BTU input must be de-rated by 4% for every 1,000 feet (305 M) to maintain the proper ratio of gas to air. If the installer must convert the unit to adjust for varying altitudes, a deration information sticker must be filled out by the installer and adhered to the appliance at the time of the conversion. Contact your local gas supplier for deration requirements for your area.



INSTALLING GAS CONVERSION KITS

! CAUTION

The gas supply shall be shut OFF prior to disconnecting the electrical power, before proceeding with the conversion.

! ATTENTION

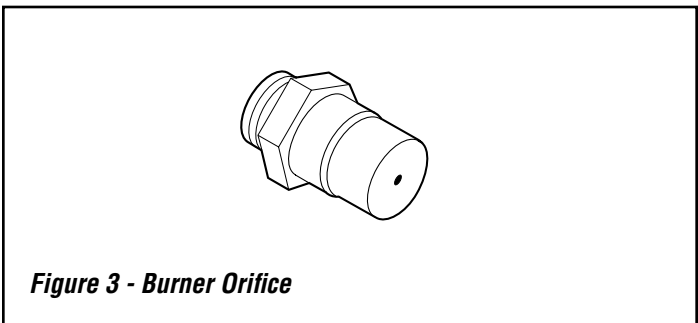
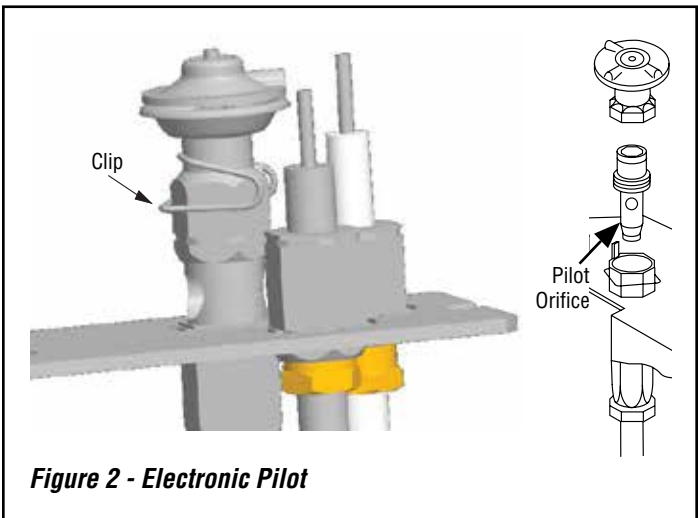
Avant d'effectuer la conversion, coupez d'abord l'alimentation en gaz, ensuite, coupez l'alimentation électrique.

Model	Natural Gas drill size*	Propane drill size*
35"	#45 (0.082"), Cat. No. 39L66	(0.048"), Cat. No. 99K78
40"	#43 (0.089"), Cat. No. 99K75	#54 (0.055"), Cat. No. 99K79
45"	#40 (0.098"), Cat. No. 69L96	#53 (0.0595"), Cat. No. 39L10

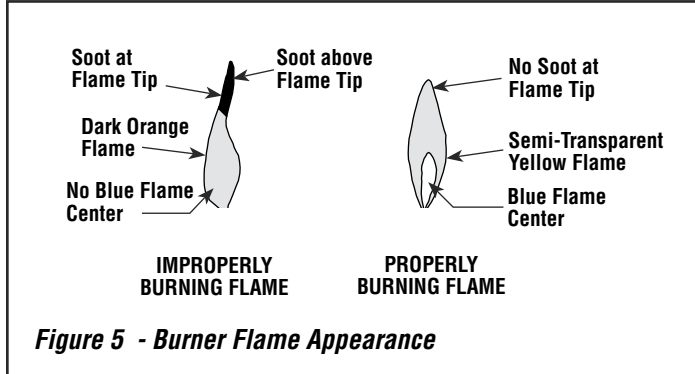
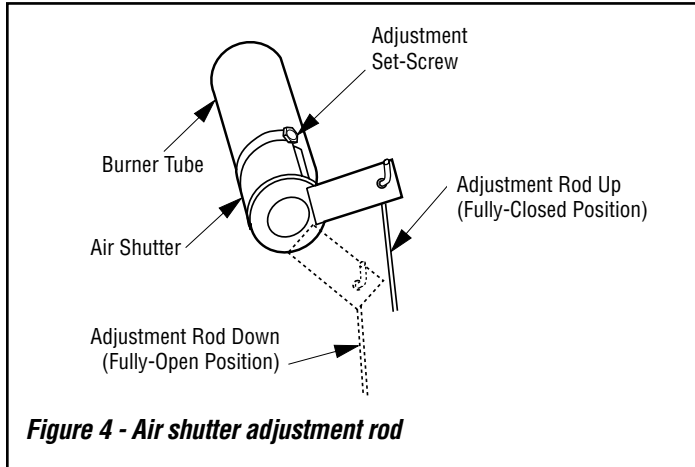
* Standard size installed at factory

Table 2 - Burner Orifice Sizes, Elevation 0-4500 ft (0-1372 m)

1. **TURN OFF THE GAS SUPPLY TO THE FIREPLACE** and disconnect power supply at the circuit breaker. Ensure fireplace is cold.
2. Lower the access door and remove barrier, and glass door per instructions in the Installation and Operation Manual.
3. Remove the logs per instruction in the Installation and Operation Manual. **Exercise care so as not to break the logs.**
4. If applicable, remove ceramic or porcelain liner.
5. Remove the sub floor screws and subfloor.
6. Remove Burner assembly and replace the main burner orifice supplied in this kit.
7. Rotate the burner to release the air shutter adjustment rod from the air shutter lever. Set screws and burner aside for later reinstallation.
8. Refer to the instructions provided with the SIT Regulator Conversion Kit, and **Figure 1**. Using a Torx T20 driver (with 1/4" shank) or slotted screwdriver, remove and discard the two (2) pressure regulator mounting screws, pressure regulator tower, the diaphragm assembly (if applicable) and the spring. Discard all removed components.
9. **40" & 45" DRT3000-C models ONLY** - Remove the air shutter adjustment screw (**Figure 4**) and remove the air shutter (1/4" nut driver/ socket) from burner. Use air shutter rod from removed air shutter and place on new shutter provided in this kit. Install new shutter assembly on burner. Discard the removed air shutter.



10. Replace the pilot orifice with the one provided in this kit using a 4mm allen wrench.
NOTE: See **Table 2** for burner orifice sizes.
11. Use pipe joint compound or Teflon® tape on all pipe fittings before installing.
NOTE: Ensure propane resistant compounds are used in propane applications, do not use pipe joint compounds on flare fittings.
12. Retrieve the burner and hold the venturi tube above the orifice. Place the shutter adjusting rod in the slot of the shutter arm (**Figure 4**). Set the burner assembly into its position and secure with the two screws previously removed.



13. Reinstall the sub floor with screws.
14. Reassemble the remaining components.
15. Turn on gas supply and test for gas leaks. **Never check for leaks with a flame!**
16. Relight the main burner. Verify proper burner ignition and operation.
17. Inspect the pilot system for proper flame. The pilot flame should engulf the flame sensor.
18. Using a manometer, test the inlet and manifold gas pressures (**Table 3 and 4**). **NOTE:** Always test pressures with the valve regulator control at the highest setting.

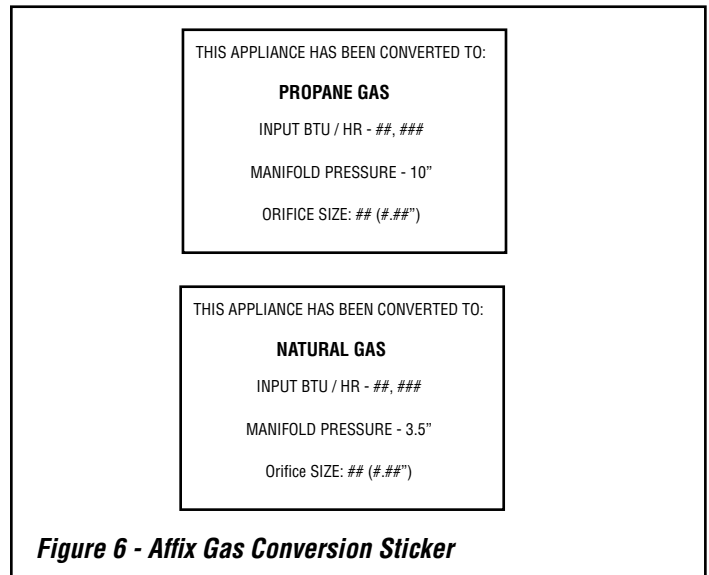
Fuel	Minimum	Maximum
Natural Gas	5" WC / (1.25 kPa)	10.5" WC / (2.61 kPa)
Propane	11.0" WC / (2.74 kPa)	13.0" WC / (3.23 kPa)

Table 3 - Inlet Gas Supply Pressure

Fuel	Pressure
Natural Gas	3.5" WC / (0.87 kPa)
Propane	10.0" WC / (2.49 kPa)

Table 4 - Manifold Gas Supply Pressure

19. Affix the appropriate conversion label (see **Figure 6**).
20. Replace glass door and barrier before operation.



NOTE: A BARRIER DESIGNED TO REDUCE THE RISK OF BURNS FROM HOT VIEWING GLASS SHALL BE USED DURING OPERATION OF THIS FIREPLACE FOR THE PROTECTION OF CHILDREN AND OTHER AT-RISK INDIVIDUALS.

Innovative Hearth Products (IHP) reserves the right to make changes at any time, without notice, in design, materials, specifications, prices and also to discontinue colors, styles and products. Consult your local distributor for fireplace code information.

