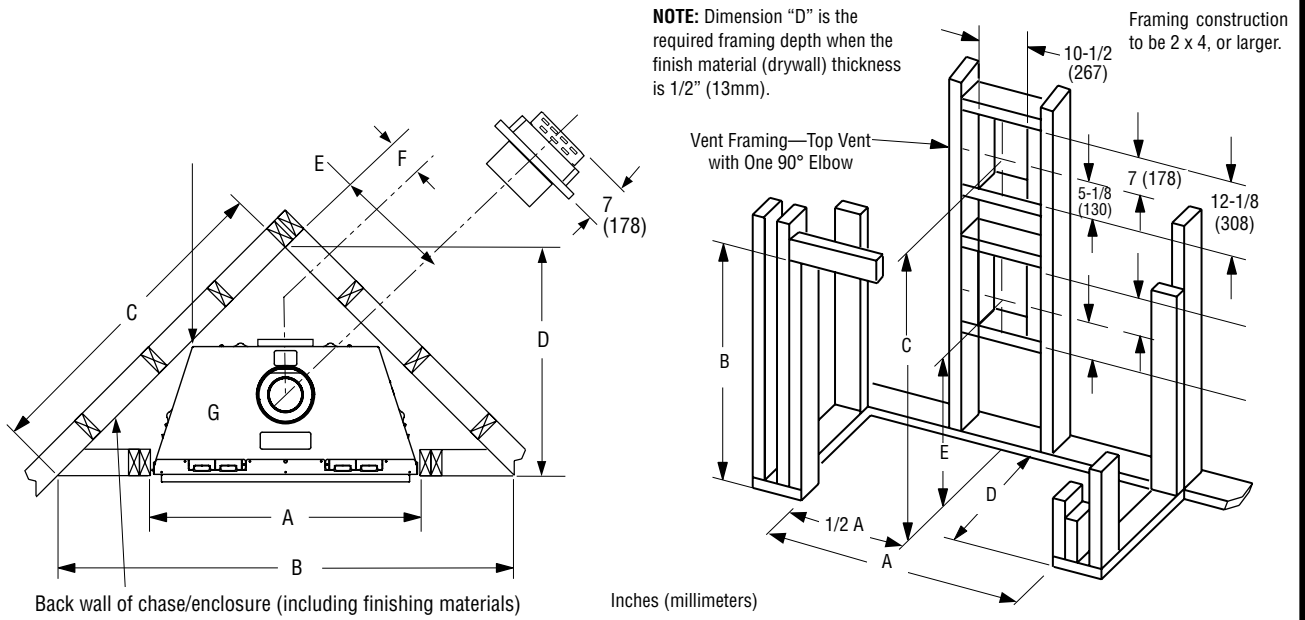


# ARIES™ 33 SERIES

## DIRECT-VENT FIREPLACES

Framing Dimensions



C = Minimum height of top vent installations  
E = Minimum height of rear vent installations

Model	A	B	C	D	E	F	G
33 Models	34-1/8 (867)	51-1/4 (1302)	36-1/4 (921)	25-5/8 (651)	12-1/8 (308)	5-1/2 (140)	14-1/2 (368)

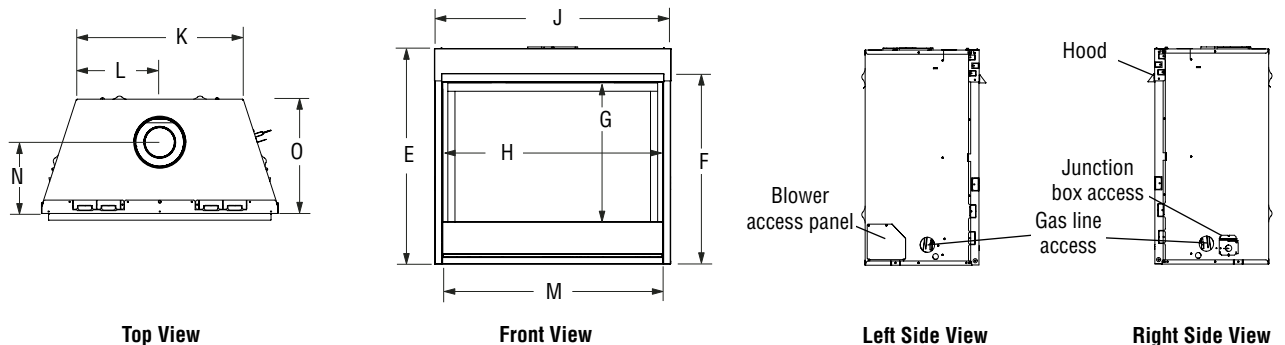
Model	A*	B	C	D	E
33 Models	34-1/8 (867)	34-1/4 (870)	36-7/8 (930)	14-1/2 (368)	19-5/8 (499)

\*Minimum opening size; additional 1/8" per side is recommended.

**NOTE:** Framing specifications do NOT apply for flexible venting. When using flexible venting, refer to the kit requirements for framing specifications.

**NOTE:** When finishing the area around the hood, 5/8" clearance above hood is required for hood installation.

Fireplace Dimensions



Inches (millimeters)

Model	E	F	G	H (door)	J	K	L	M	N	O
33" Models	30-1/8 (765)	26-1/4 (667)	18-3/8 (467)	30-1/2 (775)	33-5/8 (854)	21-7/8 (556)	11 (279)	31 (787)	8-1/2 (216)	14 (356)

**NOTE:** DIAGRAMS & ILLUSTRATIONS ARE NOT TO SCALE.

# ARIES™ 33 SERIES

Product Information

Cat. No.	Model	Weight	Cu. Ft.	Cat. No.	Model	Weight	Cu. Ft.
F1675	Aries33TMN	88 lb.	11.0	F1681	Aries33RMN	88 lb.	11.0
F1676	Aries33TMP	88 lb.	11.0	F1682	Aries33RMP	88 lb.	11.0
F1677	Aries33TEN	88 lb.	11.0	F1683	Aries33REN	88 lb.	11.0
F1735	Aries33TEP	88 lb.	11.0	F1737	Aries33REP	88 lb.	11.0

Cat. No.	Model	Weight	Cu. Ft.	Cat. No.	Model	Weight	Cu. Ft.
F1672	AriesCD33TMN	96 lb.	11.0	F1678	AriesCD33RMN	96 lb.	11.0
F1673	AriesCD33TMP	96 lb.	11.0	F1679	AriesCD33RMP	96 lb.	11.0
F1674	AriesCD33TEN	96 lb.	11.0	F1680	AriesCD33REN	96 lb.	11.0
F1734	AriesCD33TEP	96 lb.	11.0	F1736	AriesCD33REP	96 lb.	11.0

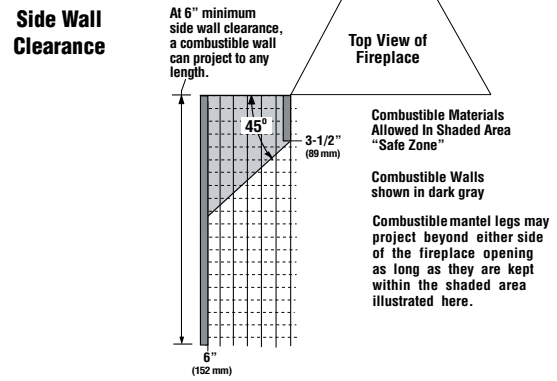
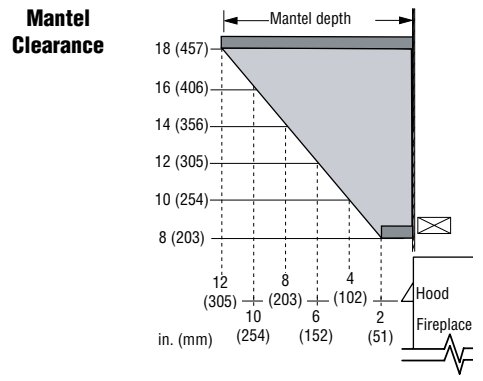
Listing



Report No. F13-094

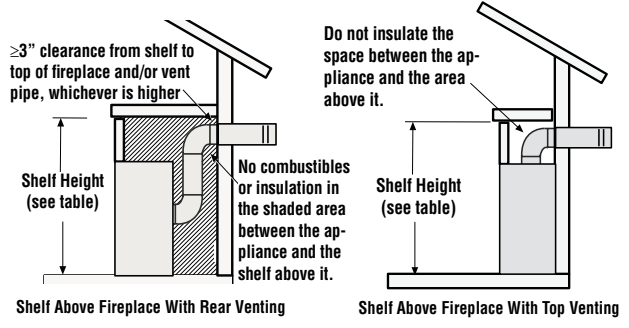
Listed by PFS Corporation to - ANSI Z21.88 (in Canada, CSA-2.33), and CAN/CGA-2.17-M91 in both USA and Canada, as a vented gas fireplace heater.

Clearances



Model	Top Vent with one 90° Elbow		Alternative Rear Vent applications
	Secure Vent® (using rigid elbow)	Secure Flex® (using flex elbow)	Secure Vent®
33" Models	44" (1118 mm)*	46" (1168 mm)*	34" (864 mm)**

\* Includes 3" clearance to combustibles (required above vent components)  
\*\* In alternative, Rear Vent applications, Top Vent will be sealed as detailed in the Installation and Operation manual.

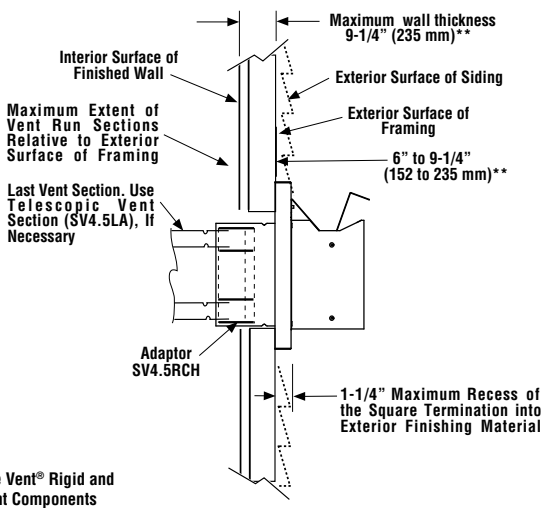
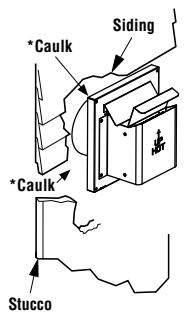


Specifications and clearances are subject to change without notice. Refer to Installation and Operation Manual before installation of these appliances for updated dimensions and instructions.

Venting

## Compact Termination (SV4.5HTKCT)

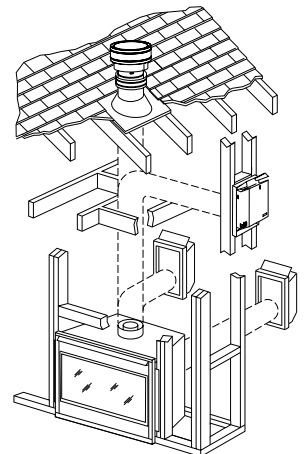
\*Use silicone caulking to seal the top and sides of the termination, up to the underlayment, stucco, or masonry wall surface.



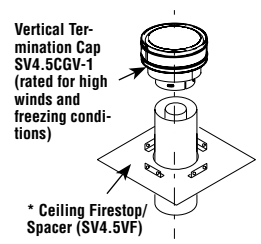
Uses 4.5" / 7.5" Secure Vent® Rigid and Secure Flex® Direct-Vent Components

Specifications and clearances are subject to change without notice. Refer to Installation and Operation Manual before installation of these appliances for updated dimensions and instructions.

## Typical Installations



## Vertical Termination



## Roof Framing

