

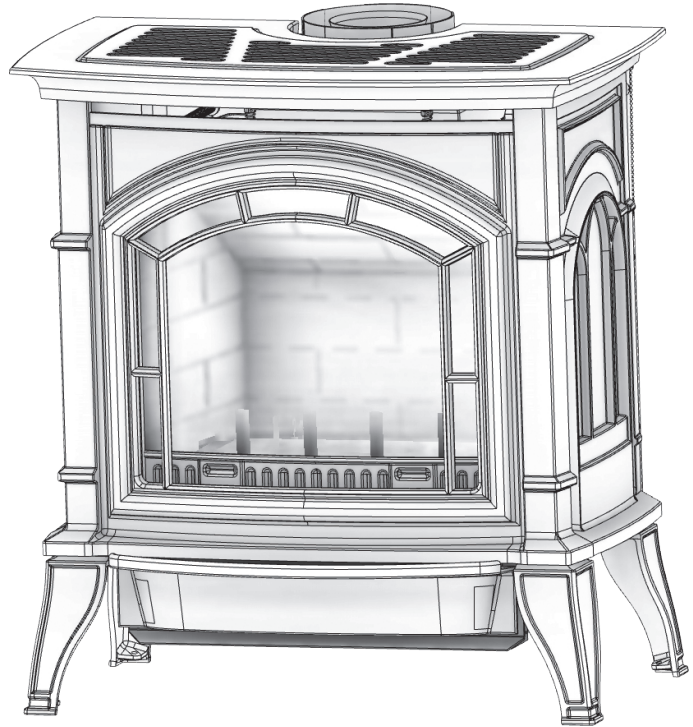
Owner's Instruction and Operation Manual



BRECKWELL

Model Number:

BH23



* All Pictures In This Manual Are For Illustrative Purposes Only. Actual Product May Vary.

853844-4501K

Save These Instructions In A Safe Place For Future Reference.

⚠ WARNING:

FIRE OR EXPLOSION HAZARD

Failure to follow safety warnings exactly could result in serious injury, death, or property damage.

Do not store or use gasoline or other flammable vapors and liquids in the vicinity of this or any other appliance.

WHAT TO DO IF YOU SMELL GAS:

- Do not try to light any appliance.
- Do not touch any electrical switch; do not use any phone in your building.
- Leave the building immediately.
- Immediately call your gas supplier from a neighbor's phone. Follow the gas supplier's instructions.
- If you cannot reach your gas supplier, call the fire department.

Installation and service must be performed by a qualified installer, service agency or the gas supplier.

Please read this manual BEFORE installing and operating this unit.

INSTALLER: Leave this manual with the appliance.

CONSUMER: Retain this manual for future reference.



CALIFORNIA PROPOSITION 65 WARNING:

This product can expose you to chemicals including carbon monoxide, which is known to the State of California to cause cancer, birth defects, and/or other reproductive harm. For more information, go to www.P65warnings.ca.gov

THIS MANUAL IS SUBJECT TO CHANGE WITHOUT NOTICE.

CODE APPROVAL


Direct Vent type appliances draw all combustion air from outside of the dwelling through the vent pipe.


This appliance has been tested by PFS-TECO Laboratories and found to comply with the established standards for DIRECT VENT GAS FIREPLACE HEATERS in the USA and Canada as follows:

STANDARDS

- ANSI Z21.88-2017/CSA 2.33-2017, VENTED GAS FIREPLACE HEATER
- CSA P.4.1-2015, Testing Method for Measuring Annual Fireplace Efficiency

This installation must conform with local codes, or in the absence of local codes, with the National Fuel Gas Code, ANSI Z223.1/NFPA 54, or the Natural Gas and Propane Installation Code, CSA B149.1.

 **DANGER**



**HOT GLASS WILL
CAUSE BURNS.
DO NOT TOUCH GLASS
UNTIL COOLED.
NEVER ALLOW CHILDREN
TO TOUCH GLASS.**

A barrier designed to reduce the risk of burns from the hot viewing glass is provided with this appliance and shall be installed for the protection of children and other at-risk individuals. 852502B



**NATIONAL
FIREPLACE
INSTITUTE®**
NFI
CERTIFIED
www.nficertified.org

We recommend that our gas hearth products be installed and serviced by professionals who are certified in the U.S. by the National Fireplace Institute® (NFI) as NFI Gas Specialists.

This appliance may be installed in an after market permanently located, manufactured home (USA only) or mobile home, where not prohibited by local codes. It is only for use with the type of gas indicated on the rating plate, and is not convertible for use with other gassed, unless a certified kit is used.

- After-market: Completion of sale, not for purpose of resale, from the manufacturer.

RETAIN YOUR ORIGINAL RECEIPT FOR ANY WARRANTY CLAIMS. CONTACT YOUR DEALER OR INSTALLER IF YOU NEED TO FILE A CLAIM.

INSTALLATION CHECKLIST



Your Gas Stove should be installed by a qualified installer only. An NFI qualified Installer can be found at www.nficertified.org/public/find-an-nfi-pro/

For customer service, please contact your Breckwell dealer or visit www.Breckwell.com

COMMISSIONING CHECKLIST

This Checklist is to be completed in full by the qualified person who installs this unit. Keep this page for future reference.

Failure to install and commission according to the manufacturer's instructions and complete this checklist will invalidate the warranty.

Please Print

Customer Name:										Telephone Number:									
Address:																			
Model:																			
Serial Number:																			
Installation Company Name:										Phone Number:									
Installation Technician's Name:										License Number:									

DESCRIPTION OF WORK

Location of installed appliance: _____

Venting System: New Venting System Yes No If yes, Brand _____

If no, Date of inspection of existing venting system: _____

COMMISSIONING

- Confirm Hearth Pad Installation as per Installation Instructions
- Confirm proper placement of internal parts
- Check soundness of door gasket and door seals
- Confirm clearances to combustibles as per installation instructions in this manual
- Check the operations of the air controls
- Confirm the venting system is secure and sealed
- Confirm the stove starts and operates properly.....
- Check to ensure a CO alarm is installed as per local building codes and is functional.....
- Explain the safe operation, proper fuel usage, cleaning, and routine maintenance requirements.....

Declaration of Completion: As the qualified person responsible for the work described above, I confirm that the appliance as associated work has been installed as per manufacturer's instructions and following any applicable building and installation codes.

Signed: _____ Print Name: _____ Date: _____

Home Owner: RETAIN THIS INFORMATION FOR FUTURE REFERENCE

SAFETY LABEL

NOTE: This image is only an example. The label on the actual unit will vary slightly.

NOTE: When initially lit, condensation will appear on the glass. This is normal and will disappear after several minutes. A paint smell will occur during the first few hours of burning. It is recommended to leave the fan off during this period to help speed the paint curing process. It may produce noises of varying degree as it heats and cools due to metal expansion and contraction. This is normal, and does not affect the performance or longevity.

FOR YOUR SAFETY READ BEFORE LIGHTING

WARNING: If you do not follow these instructions exactly, a fire or explosion may result causing property damage, personal injury, or loss of life.

A. This appliance is equipped with an ignition device that automatically lights the pilot. Do not try to light the pilot by hand.

B. BEFORE OPERATING, smell around the appliance area for gas. Be sure to smell next to the floor because some gas is heavier than air and will settle on the floor.

WHAT TO DO IF YOU SMELL GAS

- Do not try to light any appliance.
- Do not touch any electric switch; do not use any phone in your building.
- Immediately call your gas supplier from a neighbor's phone. Follow the gas

supplier's instructions.

- If you cannot reach your gas supplier, call the fire department.

C. Use only your hand to turn the gas control manual valve. Never use tools. If the valve will not turn by hand, do not try to repair it; call a qualified service technician. Force or attempted repair may result in a fire or explosion.

D. Do not use this appliance if any part has been under water. Immediately call a qualified service technician to inspect the appliance and to replace any part of the control system and any gas control that has been under water.

OPERATING INSTRUCTIONS

1. **STOP!** Read the safety information above on this label.
2. Press the wireless remote "OFF" button.
3. Turn off all electric power to the appliance.
4. This appliance is equipped with an ignition device which automatically lights the pilot. Do not try to light the pilot by hand.
5. Locate the manual valve installed by your qualified service technician. Turn the manual valve clockwise to the "OFF" position.
6. Wait five (5) minutes to clear out any gas. Then smell for gas, including near the floor. If you smell gas, **STOP!** Follow "B" in the safety information above on this label. If you do not smell gas, go to the next step.
7. Turn the manual valve counterclockwise to the "ON" position.
8. Turn on all electric power to the appliance.
9. Press the wireless remote ON button.
10. If the appliance will not operate, follow the instructions, "To Turn Off Gas To Appliance" and call your service technician or gas supplier.

TO TURN OFF GAS TO APPLIANCE

1. Press the wireless remote "OFF" button.
2. Turn off all electric power to the appliance if service is to be performed.
3. Locate the manual valve installed by your qualified service technician.
4. Turn the manual valve clockwise to the "OFF" position.

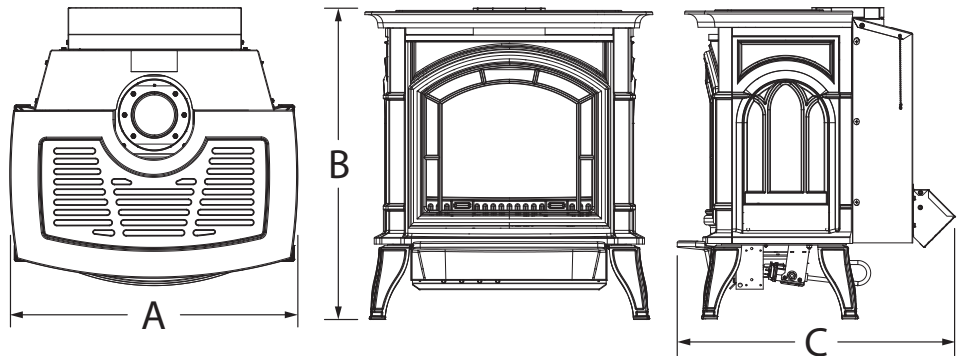
CAUTION: Hot while in operation. Do not touch. Severe burns may result. Keep children, clothing, furniture, gasoline, and other liquids having flammable vapors away. Keep burner and control compartment clean. See installation and operating instructions accompanying appliance.

CAUTION: Do not operate the appliance with glass removed, cracked, or broken. Replacement of the panel(s) should be done by a licensed or qualified service person.

853069B

DIMENSIONS

		in	mm
A	Width	26-9/16	675
B	Height	28-3/4	730
C	Depth	25-5/8	652



REQUIREMENTS FOR THE COMMONWEALTH OF MASSACHUSETTS

Please read and follow these special requirements

NOTE REGARDING VENTED PRODUCTS

- This product must be installed by a licensed plumber or gas fitter when installed within the Commonwealth of Massachusetts.
- Any residence with a direct vent product must have a CO detector installed in the residence.
- Installation of the unit or vented gas log in the State of Massachusetts requires the damper to be permanently removed or welded in the fully open position.
- In addition, a naturally vented gas log may not be installed in a bedroom or bathroom in the State of Massachusetts.
- Flex line installation must not exceed 36 inches and must have a T shutoff valve.

NOTE REGARDING VENT FREE PRODUCTS

- This product must be installed by a licensed plumber or gas fitter when installed within the Commonwealth of Massachusetts.
- In addition, vent free products may not be installed in a bedroom or bathroom regardless of size or type in the State of Massachusetts.
- Flex line installation must not exceed 36 inches and must have a T shutoff valve.

CARBON MONOXIDE DETECTOR REQUIREMENTS

Revise 10.8.3 by adding the following additional requirements:

- a. For all side wall horizontally vented gas fuelled equipment installed in every dwelling, building or structure used in whole or in part for residential purposes, including those owned or operated by the Commonwealth and where the side wall exhaust vent termination is less than seven (7) feet above finished grade in the area of the venting, including but not limited to decks and porches, the following requirements shall be satisfied:

1. Installation of carbon monoxide detectors

At the time of installation of the side wall horizontal vented gas fuelled equipment, the installing plumber or gas fitter shall observe that a hard wired carbon monoxide detector with an alarm and battery back-up is installed on the floor level where the gas equipment is to be installed. In addition, the installing plumber or gas fitter shall observe

that a battery operated or hard wired carbon monoxide detector with an alarm is installed on each additional level of the dwelling, building or structure served by the side wall horizontal vented gas fuelled equipment. It shall be the responsibility of the property owner to secure the services of qualified licensed professionals for the installation of hard wired carbon monoxide detectors

- a. In the event that the side wall horizontally vented gas fuelled equipment is installed in a crawl space or an attic, the hard wired carbon monoxide detector with alarm and battery back-up may be installed on the next adjacent floor level.
 - b. In the event that the requirements of this subdivision can not be met at the time of completion of installation, the owner shall have a period of thirty (30) days to comply with the above requirements; provided, however, that during said thirty (30) day period, a battery operated carbon monoxide detector with an alarm shall be installed.
3. Approved Carbon Monoxide Detectors: Each carbon monoxide detector as required in accordance with the above provisions shall comply with NFPA 720 and be ANSI/UL 2034 listed and IAS certified.
 4. Signage: A metal or plastic identification plate shall be permanently mounted to the exterior of the building at a minimum height of eight (8) feet above grade directly in line with the exhaust vent terminal for the horizontally vented gas fuelled heating appliance or equipment. The sign shall read, in print size no less than one-half (1/2) inch in size, "GAS VENT DIRECTLY BELOW. KEEP CLEAR OF ALL OBSTRUCTIONS."
 5. Inspection: The state or local gas inspector of the side wall horizontally vented gas fuelled equipment shall not approve the installation unless, upon inspection, the inspector observes carbon monoxide detectors and signage installed in accordance with the provisions of 248 CMR 5.08(2)(a)1 through 4.
- b. Exemptions: The following equipment is exempt from 248 CMR 5.08(2)(a)1 through 4:
 1. The equipment listed in Chapter 10 entitled "Equipment Not Required To Be Vented" in the most current edition of NFPA 54 as adopted by the Board; and
 2. Product Approved side wall horizontally vented gas fuelled equipment installed in a room or structure separate from the dwelling, building or structure used in whole or in part for residential purposes.

- c. **Manufacturer Requirements - Gas Equipment Venting System Provided:** When the manufacturer of Product Approved side wall horizontally vented gas equipment provides a venting system design or venting system components with the equipment, the instructions provided by the manufacturer for installation of the equipment and the venting system shall include:
 - 1. Detailed instructions for the installation of the venting system design or the venting system components; and
 - 2. A complete parts list for the venting system design or venting system.
- d. **Gas Equipment - Venting System Not Provided:** When the manufacturer of a Product Approved side wall horizontally vented gas fuelled equipment does not provide the parts for venting the flue gases, but identifies "special venting systems," the following requirements shall be satisfied by the manufacturer:
 - 1. The referenced "special venting system" instructions shall be included with the appliance or equipment installation instructions; and
 - 2. The "special venting systems" shall be Product Approved by the Board, and the instructions for that system shall include a parts list and detailed installation instructions.
- e. A copy of all installation instructions for all Product Approved side wall horizontally vented gas fuelled equipment, all venting instructions, all parts lists for venting instructions, and/or all venting design

▲ WARNING:

READ THIS OWNER'S MANUAL CAREFULLY AND COMPLETELY BEFORE TRYING TO ASSEMBLE, OPERATE, OR SERVICE. ANY CHANGE TO THIS APPLIANCE OR ITS CONTROLS CAN BE DANGEROUS. IMPROPER INSTALLATION OR USE CAN CAUSE SERIOUS INJURY OR DEATH FROM FIRE, BURNS, EXPLOSIONS, ELECTRICAL SHOCK AND CARBON MONOXIDE POISONING.

This stove is a vented product. This stove must be properly installed by a qualified service person. The glass door must be properly seated and sealed. If this unit is not properly installed by a qualified service person with glass door properly seated and sealed, combustion leakage can occur.

CARBON MONOXIDE POISONING

Early signs of carbon monoxide poisoning are similar to the flu with headaches, dizziness, and/or nausea. If you have these signs, the stove may not have been installed properly. Get fresh air at once! Have the stove inspected and serviced by a qualified service person. Some people are more affected by carbon monoxide than others. These include pregnant women, people with heart or lung disease or anemia, those under the influence of alcohol, and those at high altitudes. Propane/LP gas and natural gas are both odorless. An odor-making agent is added to each of these gases. The odor helps you detect a gas leak. However, the odor added to these gases can fade. Gas may be present even though no odor exists. Make certain you read and understand all warnings. Keep this manual for reference. It is your guide to the safe and proper operation of this stove.

1. This appliance is only for use with the type of gas indicated on the rating plate. This appliance is not convertible for use with other gases unless a certified kit is used.
2. For propane/LP stove, do not place propane/LP supply tank(s) inside any structure. Locate propane/LP supply tank(s) outdoors. To prevent performance problems, do not use a propane/LP fuel tank of less than 100-gallon capacity.
3. If you smell gas:
 - shut off the gas supply.
 - do not try to light any appliance.
 - do not touch any electrical switch; do not use any phone in your building.
 - immediately call your gas supplier from a neighbor's phone. Follow the gas supplier's instructions.
4. Never install the stove:
 - in a recreational vehicle
 - where curtains, furniture, clothing, or other flammable objects are less than 42" from the front, top, or sides of the stove
 - in high traffic areas
 - in windy or drafty areas
5. This stove reaches high temperatures. Keep children and adults away from hot surfaces to avoid burns or clothing ignition. The stove will remain hot for a time after shutdown. Allow surfaces to cool before touching. Clothing or other flammable material should not be placed on or near the appliance.
6. Young children should be carefully supervised when they are in the same room as the appliance. Toddlers, young children, and others may be susceptible to accidental contact burns. A physical barrier is recommended if there are at-risk individuals in the house. To restrict access to a fireplace or stove, install an adjustable safety gate to keep toddlers, young children, and other at-risk individuals out of the room and away from hot surfaces.
7. Do not modify the burner or stove under any circumstances. Any parts removed for servicing must be replaced prior to operating the stove.
8. Turn stove off and let cool before servicing, installing, or repairing. Only a qualified service person should install, service, or repair the stove. Have a burner system inspected annually by a qualified service person.
9. Installation and repair should be done by a qualified service person. The appliance should be inspected before use and at least annually by a professional service person. More frequent cleaning may be required due to excessive lint from carpeting, bedding material, etc. It is imperative that the control compartments, burners, and circulating air passageways of the appliance be kept clean.
10. Have the venting system inspected annually by a qualified service person. If needed, have the venting system cleaned or repaired.
11. Keep the area around your stove clear of combustible materials, gasoline, and other flammable vapor and liquids. Do not run burner system where these are used or stored. Do not place items such as clothing or decorations on or around the stove.
12. Do not use this stove to cook food or burn paper or other objects.

13. Never place anything on top of the stove.
14. Do not use any solid fuels (wood, coal, paper, cardboard, etc.) in this stove. Use only the gas type indicated on the burner system nameplate.
15. This appliance, when installed, must be electrically grounded in accordance with local codes or in the absence of local codes, with the National Electrical Code, ANS/NFPA 70, or the Canadian Electrical Code, CSA C22.1.
16. Do not obstruct the flow of combustion and ventilation air in any way. Provide adequate clearances around air openings into the combustion chamber along with adequate accessibility clearance for servicing and proper operation.
17. When the appliance is installed directly on carpeting, tile, or other combustible material other than wood flooring, you must set the appliance on a metal or wood panel or hearth pad extending the full width and depth of the appliance.
18. Do not use this appliance if any part has been underwater. Immediately call a qualified service technician to inspect the appliance and to replace any part of the control system and any gas control which has been underwater.
19. Do not use a blower insert, heat exchanger insert, or other accessories not approved for use with this stove.
20. Do not operate the stove with the glass door removed, cracked, or broken. Do not strike the front of the appliance. Possible damage to the glass can occur.
21. Massachusetts only should refer to the "Requirements For The Commonwealth Of Massachusetts" section of this manual.
22. You must keep the control compartments, burners, and circulating air passages clean. More frequent cleaning may be needed due to excessive lint and dust. Turn off the gas valve and pilot light before cleaning.
23. Due to high temperatures, the appliance should be located out of traffic and away from furniture and draperies.
24. Children and adults should be alerted to the hazards of high surface temperature and should stay away to avoid burns or clothing ignition.

PRODUCT SPECIFICATIONS

- This appliance has been certified for use with either natural or propane gas. See appropriate data plates.
- This appliance is not for use with solid fuels. This product was manufactured for use with natural gas. A propane conversion kit is supplied with this appliance. Refer to part 23LPC for instructions for conversion to propane.
- The appliance is approved for bedroom or bedsitting room installations.
- The appliance must be installed in accordance with local codes if any. If none exists use the current installation code. ANSI Z223.1/NFPA 54 in the USA, CSA B149 in Canada.
- This appliance is mobile home approved.
- The appliance must be properly connected to a venting system.
- The appliance is not approved for closet or recessed installations.
- For alcove installation see "Clearances".

CONTROLS

Gas Pressures		
	Natural	Propane (LP)
Inlet Minimum	5.0" WC (1.25 kPa)	12" WC (2.74 kPa)
Inlet Maximum	10.5" WC (2.61 kPa)	14" WC (3.49 kPa)
Manifold Pressure	3.8" WC (0.95 kPa)	11.0" WC (2.74 kPa)

Gas Specifications & Orifice Size		
	Natural	Propane (LP)
Minimum Input	12,000 BTU/h (3.5 kW)	10,000 BTU/h (2.9 kW)
Maximum Input	23,500 BTU/h (6.9 kW)	20,000 BTU/h (5.9 kW)
Orifice Size	#43	#55

Canada

ENERGUIDE

Gas Fireplace Energy Efficiency Rating

71%

Based on CSA P.4.1-15

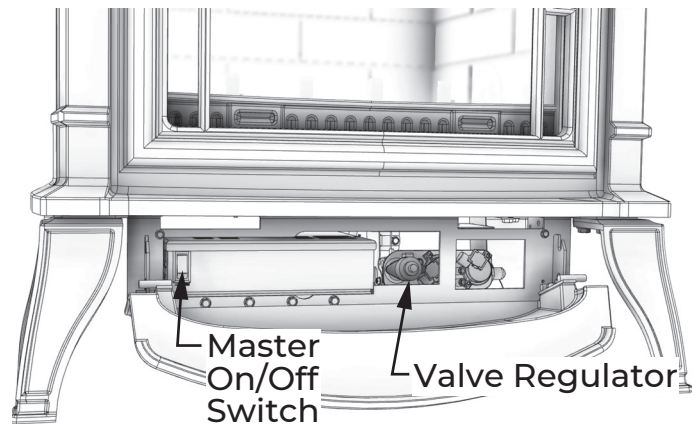
Canada

ENERGUIDE

Gas Fireplace Energy Efficiency Rating

70%

Based on CSA P.4.1-15



HIGH ELEVATIONS

This appliance may be installed at higher altitudes. Please refer to National Fuel Gas Code ANSI Z223.1/NFPA 54, CSA-B149.1 Natural Gas and Propane Installation Code, local authorities, or codes having jurisdiction in your area regarding derate guidelines. US Installations - Refer to the American Gas Association guidelines for the gas designed appliances derating method. For elevations above 2,000 ft (610 m), input ratings are to be reduced by 4% for each 1,000 ft (305 m) above sea level. Canadian Installations - When the appliance is installed at elevations above 4,500 ft (1,372 m), the certified high altitude rating shall be reduced at the rate of 4% for each additional 1,000 ft (305 m).

⚠ WARNING:

READ ALL INSTRUCTIONS COMPLETELY AND THOROUGHLY BEFORE ATTEMPTING INSTALLATION. FAILURE TO DO SO COULD RESULT IN SERIOUS INJURY, PROPERTY DAMAGE OR LOSS OF LIFE. OPERATION OF IMPROPERLY INSTALLED AND MAINTAINED VENTING SYSTEM COULD RESULT IN SERIOUS INJURY, PROPERTY DAMAGE OR LOSS OF LIFE.

⚠ WARNING:

THIS APPLIANCE MUST BE VENTED TO THE OUTSIDE. THE VENTING SYSTEM MUST NEVER BE ATTACHED TO A CHIMNEY SERVING A SEPARATE SOLID FUEL BURNING APPLIANCE. EACH GAS APPLIANCE MUST USE A SEPARATE VENT SYSTEM. DO NOT USE COMMON VENT SYSTEMS.

⚠ WARNING:

DO NOT PACK THE OPEN AIR SPACES WITH INSULATION OR OTHER MATERIALS. THIS COULD CAUSE HIGH TEMPERATURES AND MAY PRESENT A FIRE HAZARD AND SERIOUS INJURY, PROPERTY DAMAGE OR LOSS OF LIFE. OPERATION OF IMPROPERLY INSTALLED AND MAINTAINED VENTING SYSTEM COULD RESULT IN SERIOUS INJURY, PROPERTY DAMAGE OR LOSS OF LIFE.

NOTE: Failure to follow these instructions will void the warranty.

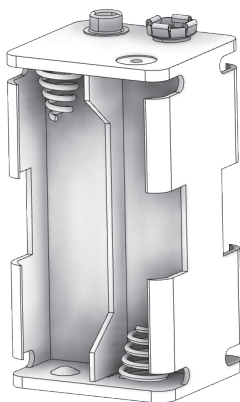
PART OVERVIEW

Read this homeowner manual thoroughly and follow all instructions carefully. Inspect all contents for shipping damage and immediately inform your authorized dealer if any damage is found. Do not install any damaged, incomplete, or substitute parts. Check your packing list to verify that all listed parts have been received.

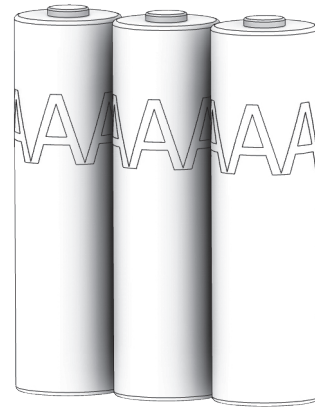
AA BATTERIES (4 PACK)



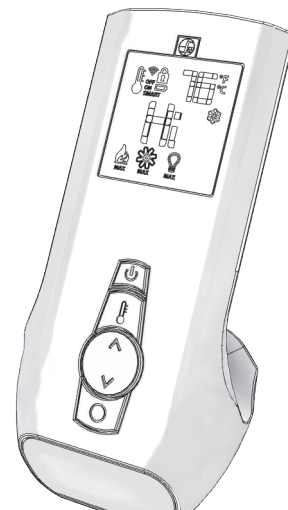
BATTERY BOX



AAA BATTERIES (3 PACK)



REMOTE





NATIONAL FIREPLACE INSTITUTE
NFI
CERTIFIED
www.nficertified.org

We recommend that our woodburning hearth products be installed and serviced by professionals who are certified in the U.S. by the National Fireplace Institute® (NFI) as NFI Woodburning Specialists or who are certified in Canada by Wood Energy Technical Training (WETT).



Wood Energy Technical Training
www.wettinc.ca

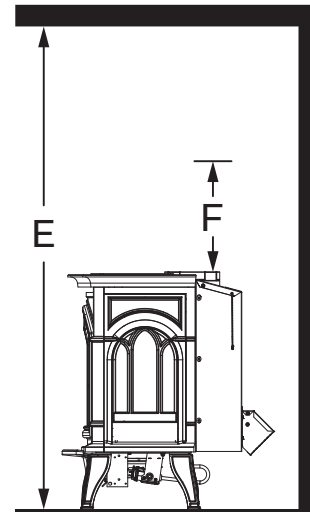
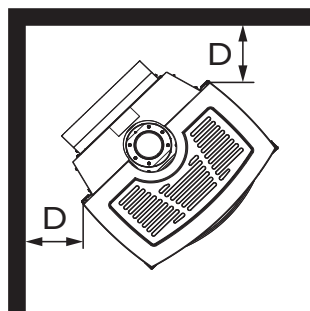
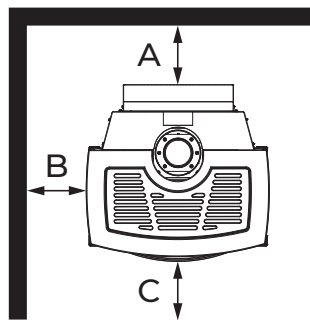
Breckwell highly recommends your stove be installed by a qualified NFI (US) or WETT (Canada) technician. To find the nearest qualified installer, go to:

<https://nficertified.org>,

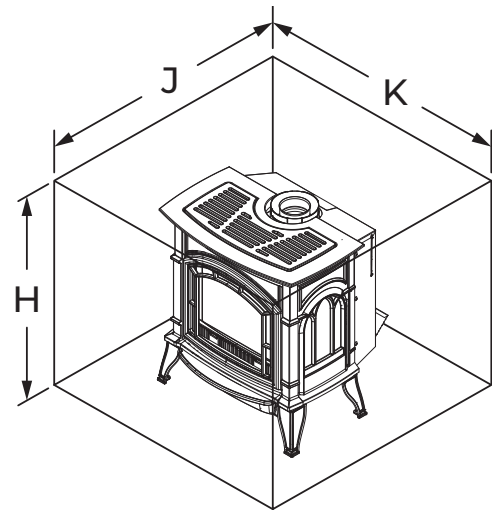
<https://www.wettinc.ca/>

CLEARANCES TO COMBUSTIBLES

The dimensions shown in the figures are minimum clearances to maintain when installing this heater. Left and right clearances are determined when facing in front of the heater. Follow these instructions carefully to ensure a safe installation. Failure to follow instructions exactly can create a fire hazard. The appliance cannot be installed directly on carpet. If installed on carpet, the appliance shall be installed on metal, wood or other non-combustible material panel extending the full width and depth of the appliance. Clearances are in accordance with local installation codes and the requirements of the gas supplier.



A	Backwall to Fan Enclosure	1"	25 mm
B	Sidewall to Stove Top Plate	6"	153 mm
C	Front to Combustible	36"	914 mm
D	Corner to Adjacent Wall	4-3/8"	112 mm
E	Floor to Ceiling	48"	1219 mm
F	Top to Mantle	19"	483 mm
G	Mantle Depth	12"	29 mm



ALCOVE			
H	Height From Hearth	48"	1219 mm
J	Depth	48"	1219 mm
K	Width	36"	914 mm
NOTE: Maintain minimum side and back clearances when placing stove in alcove.			

STOVE LOCATION

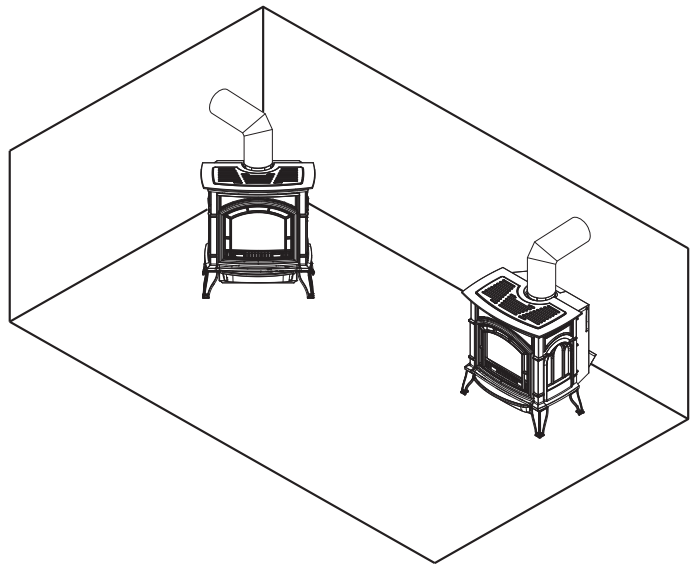
Plan for the installation of your stove. This includes determining where the unit is to be installed, the vent configuration to be used, framing and finishing details, and whether any optional accessories (i.e. blower, wall switch, or remote control) are desired. Consult your local building code agency to ensure compliance with local codes, including permits and inspections. The following factors should be taken into consideration:

- This stove should have sufficient access for its safe operation and maintenance.
- Locate a position where the flue system of the stove can be properly installed without damaging the integrity of the building. e.g. cutting wall or ceiling joist (example: load-bearing framing members).
- When the appliance is installed directly on carpeting, tile, or other combustible material other than wood flooring, you must set the appliance on a metal or wood panel extending the full width and depth of the appliance.
- Check stove and flue system clearance requirements.
- Locate the stove where it can be accessed by a gas supply line.
- Locate the stove in a large and open room that is centrally located in the house. This will optimize heat circulation and comfort.
- The flow of combustion and ventilation air must not be obstructed.
- Minimum clearances to combustibles, side-wall, ceiling, woodwork, and windows must be maintained.
- This stove may be installed along a wall, across a corner, or use an exterior chase. Refer to the figure below for suggested locations.

- The location should be out of high traffic areas and away from furniture and draperies due to heat from the appliance.
- Never obstruct the front opening of the stove.
- Do not install in the vicinity where gasoline or other flammable liquids may be stored.
- Vent pipe routing. See the Venting section found in this manual for allowable venting configurations.
- These units can be installed in a bedroom. See National Fuel Gas Code ANSI Z233.1/NFPA 54 (current edition), the Uniform Mechanical Code (current edition), and Local Building Codes for specific installation requirements.

NOTE: If this unit is installed in a mobile home it must be bolted securely to the floor with leg bolts.

NOTE: Stoves work without any electrical supply.



CHECK GAS TYPE

Use proper gas type for the unit you are installing. If you have conflicting gas type, do not install unit.

⚠ WARNING:

A QUALIFIED INSTALLER OR SERVICE PERSON MUST CONNECT APPLIANCE TO GAS SUPPLY. FOLLOW ALL LOCAL CODES.

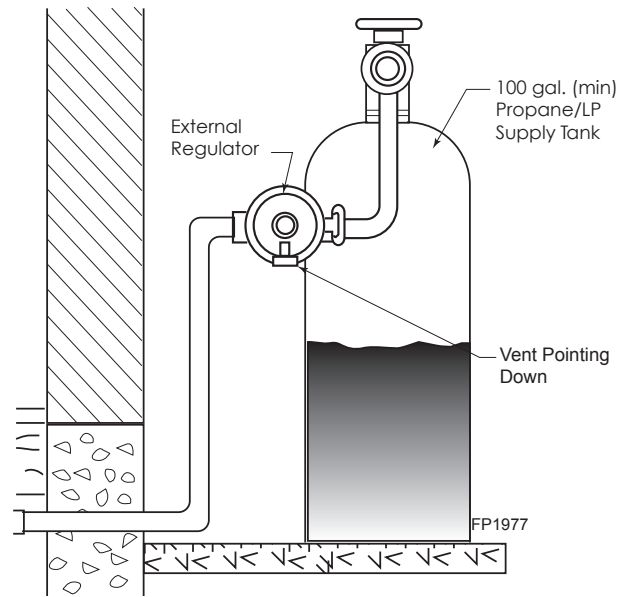
See dealer where you purchased the unit for proper unit according to your gas type.

INSTALL GAS PIPING TO FIREPLACE LOCATION

Installation items needed before installing stove and burner system, make sure you have the items listed below.

- External regulator
- Tee joint
- Test gauge connection*
- Pipe wrench
- Sediment trap (recommended)
- Equipment shutoff valve*
- Piping (check local codes)
- Sealant (resistant to propane/LP gas) (supplied by installer)
- Approved flexible gas line with gas connector (if allowed by local codes — not provided)

*A CSA design-certified equipment shutoff valve with 1/8" NPT tap is an acceptable alternative to test gauge connection. Purchase the CSA design-certified equipment shutoff valve from your dealer. For propane/LP connections only, the installer must supply an external regulator. The external regulator will reduce incoming gas pressure. You must reduce incoming gas pressure to between 11 and 13 inches of water. If you do not reduce incoming gas pressure, burner system regulator damage could occur. Install external regulator with the vent pointing down as shown. Pointing the vent down protects it from freezing rain or sleet.



External Regulator with Vent Pointing Down (Propane/LP Only)

⚠ CAUTION:

USE ONLY NEW BLACK IRON OR STEEL PIPE. INTERNALLY TINNED COPPER OR COPPER TUBING CAN BE USED PER NATIONAL FUEL CODE, SECTION 2.6.3, PROVIDING GAS MEETS HYDROGEN SULFIDE LIMITS, AND WHERE PERMITTED BY LOCAL CODES. GAS PIPING SYSTEM MUST BE SIZED TO PROVIDE MINIMUM INLET PRESSURE (LISTED ON DATA PLATE) AT THE MAXIMUM FLOW RATE (BTU/HR). UNDUE PRESSURE LOSS WILL OCCUR IF THE PIPE IS TOO SMALL.

⚠ CAUTION:

FOR PROPANE/LP UNITS, NEVER CONNECT STOVE DIRECTLY TO THE PROPANE/LP SUPPLY. THIS BURNER SYSTEM REQUIRES AN EXTERNAL REGULATOR (NOT SUPPLIED). INSTALL THE EXTERNAL REGULATOR BETWEEN THE BURNER SYSTEM AND PROPANE/LP SUPPLY.

⚠ WARNING:

EXTERNAL REGULATORS MAY BE NECESSARY FOR NATURAL GAS. ONE - OR TWO - POUND PER SQUARE INCH (PSI) SYSTEMS WILL DAMAGE THIS APPLIANCE AND MAY CAUSE FIRE HAZARD.

When using copper or flex connectors use only fittings approved for gas connections. The gas control inlet is 3/8" NPT.

⚠ WARNING:

ONLY PERSONS LICENSED TO WORK WITH GAS PIPING MAY MAKE THE NECESSARY GAS CONNECTIONS TO THIS APPLIANCE.

NOTE: The gas line connection may be made using 1/2" rigid tubing or an approved flex connector. Since some municipalities have additional local codes it is always best to consult your local authorities and the current edition of the National Fuel Gas Code ANSI.Z223.1, NFPA54. In Canada CSA-B149 (1 or 2) Installation Code. A listed manual shutoff valve must be installed upstream of the appliance. Union tee and plugged 1/8" NPT pressure tapping point should be installed upstream of the appliance.

⚠ IMPORTANT:

INSTALL MAIN GAS VALVE (EQUIPMENT SHUTOFF VALVE) IN AN ACCESSIBLE LOCATION. THE MAIN GAS VALVE IS FOR TURNING ON OR SHUTTING OFF THE GAS TO THE FIREPLACE. CHECK YOUR BUILDING CODES FOR ANY SPECIAL REQUIREMENTS FOR LOCATING EQUIPMENT SHUTOFF VALVE TO FIREPLACES. APPLY PIPE JOINT SEALANT LIGHTLY TO MALE THREADS. THIS WILL PREVENT EXCESS SEALANT FROM GOING INTO PIPE. EXCESS SEALANT IN PIPE COULD RESULT IN CLOGGED BURNER SYSTEM VALVES.

⚠ CAUTION:

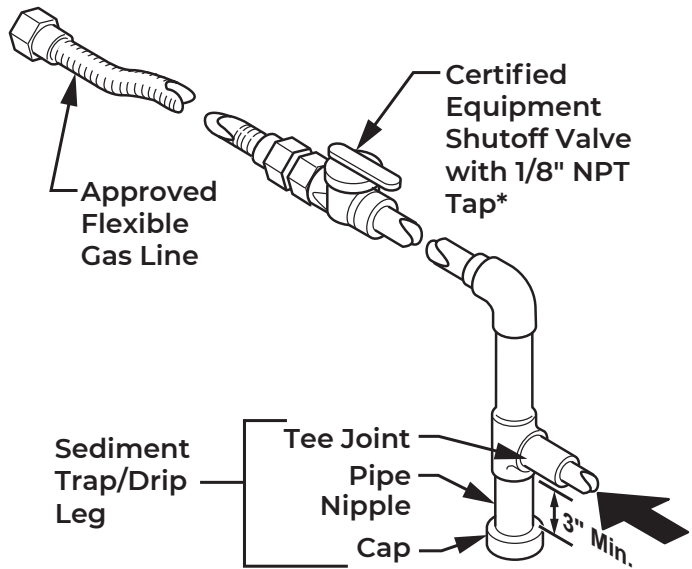
A MANUAL SHUTOFF VALVE MUST BE INSTALLED UPSTREAM OF THE APPLIANCE. UNION TEE AND PLUGGED 1/8" NPT PRESSURE TAPPING POINT SHOULD BE INSTALLED UPSTREAM OF THE APPLIANCE.

We recommend that you install a sediment trap/drip leg in supply line as shown. Locate sediment trap/ drip leg where it is within reach for cleaning. Install in piping system between fuel supply and burner system. Locate sediment trap/drip leg where trapped matter is not likely to freeze. A sediment trap traps moisture and contaminants. This keeps them from going into the burner system gas controls. If sediment trap/drip leg is not installed or is installed wrong, burner system may not run properly.

⚠ CAUTION:

USE PIPE JOINT SEALANT THAT IS RESISTANT TO LIQUID PETROLEUM (LP) GAS.

Natural Gas From Gas Meter (5.0" w.c. to 10.5" w.c. Pressure)
Propane/LP From External Regulator (12.0" w.c. to 14.0" w.c. Pressure)



▲ WARNING:

TREATMENT OF FIRESTOPS AND CONSTRUCTION OF THE CHASE MAY VARY FROM BUILDING TYPE TO BUILDING TYPE. THESE INSTRUCTIONS ARE NOT SUBSTITUTES FOR THE REQUIREMENTS OF LOCAL BUILDING CODES. YOU MUST FOLLOW ALL LOCAL BUILDING CODES.

▲ WARNING:

HORIZONTAL SECTIONS OF THIS VENT SYSTEM REQUIRE A MINIMUM CLEARANCE OF 2" FROM THE TOP OF THE PIPE AND 1" MINIMUM TO THE SIDES AND BOTTOM. VERTICAL SECTIONS OF THIS SYSTEM REQUIRE A MINIMUM OF 1" CLEARANCE TO COMBUSTIBLE MATERIALS ON ALL SIDES OF THE PIPE. ONLY A 1" CLEARANCE IS REQUIRED WHERE THE VENT PASSES THROUGH THE NEAREST VERTICAL WALL.

INSTALLATION PRECAUTIONS

Consult local building codes before beginning the installation. The installer must make sure to select the proper vent system for installation. Before installing vent kit, the installer must read this stove manual and vent kit instructions.

Only a qualified installer/service person should install venting system. The installer must follow these safety rules:

- Wear gloves and safety glasses for protection.
- Use extreme caution when using ladders or when on rooftops.
- Be aware of electrical wiring locations in walls and ceilings.

The following actions will void the warranty on your venting system:

- Installation of any damaged venting component.
- Unauthorized modification of the venting system.
- Installation of any component part not manufactured or approved by USSC.
- Installation other than permitted by these instructions.

INSTALLATION PLANNING

There are two basic types of direct-vent installation:

- Horizontal Termination
- Vertical Termination

It is important to select the proper length of vent pipe for the type of termination you choose. It is also important to note the wall thickness.

FOR HORIZONTAL TERMINATION

Select the amount of vertical rise desired. The horizontal run of venting must have 1/4" rise for every 12" of run towards the termination. You may use up to three 90° elbows in this vent configuration. Refer to Horizontal Termination Configurations

FOR VERTICAL TERMINATION

Measure the distance from the stove flue outlet to the ceiling. Add the ceiling thickness, the vertical rise in an attic or second story, and allow for sufficient vent height above the roof line. You may use one or two 90° elbows in this vent configuration. Refer to Vertical Termination Configurations. NOTE: You may use two 45° elbows in place of a 90° elbow. You must follow rise to run ratios when using 45° elbows. The appliance is approved for use with three 90° elbows maximum or a combination of 90° and 45° elbows up to a maximum of 270°. For two-story applications, firestops are required at each floor level. If an offset is needed in the attic, additional pipe and elbows will be required. You may use a chase with a vent termination with exposed pipe on the exterior of the house. Refer to Installing Vent System in a Chase below. It is very important that the venting system maintain its balance between the combustion air intake and the flue gas exhaust. Certain limitations apply to vent configurations and must be strictly followed.

INSTALLING A VENT SYSTEM IN AN OUTSIDE CHASE

A chase is a vertical boxlike structure built to enclose venting that runs along the outside of a building. A chase is required for such venting.

▲ WARNING:

NEVER RUN THE VENT PIPE LEVEL OR DOWNWARD. THIS MAY CAUSE EXCESSIVE TEMPERATURES WHICH COULD CAUSE A FIRE.

NOTE: When installing in a chase, you should insulate the chase as you would the outside walls of your home. This is especially important in cold climates. Minimum clearance between vent pipes and combustible materials such as insulation is 1".

⚠ WARNING:

ALWAYS MAINTAIN MINIMUM CLEARANCES AROUND VENT SYSTEMS. THE MINIMUM CLEARANCES TO COMBUSTIBLES FOR HORIZONTAL VENT PIPE ARE 2" AT THE TOP AND 1" AT THE SIDES AND BOTTOM OF THE VENT SYSTEM. FOR WALL FIRESTOPS, A 1" MINIMUM CLEARANCE ALL AROUND THE PIPE MUST BE MAINTAINED. DO NOT PACK THE OPEN AIR SPACES WITH INSULATION OR OTHER MATERIALS. THIS COULD CAUSE HIGH TEMPERATURES AND MAY PRESENT A FIRE HAZARD.

APPROVED VENT TERMINATIONS

DuraVent	46DVA-HC	Horizontal
	46DVA-H2	Horizontal
	46DVA-HSCH	Horizontal
	46DVA-SNK14	Horizontal
	46DVA-H2-SNK14	Horizontal
	46DVA-VCH	Vertical
	46DVA-4C	Vertical
ICC	TM-45ST14	Horizontal
	TM-4HT	Horizontal
	TM-4RHT	Horizontal
	TM-4SVT	Vertical
BDM	DVR-HC	Horizontal
Olympia	VDV-HC04	Horizontal

VENTING REQUIREMENTS

Consult the local and national installation codes to assure adequate combustion and ventilation air is available. Venting requirements apply to both natural gas and LP gas.

- Flame height and appearance will vary depending upon venting configuration and the type of fuel used.
- Refer to the vent manufacturer's installation manual for complete installation instructions. Vent installation must conform with venting requirements and restrictions as outlined in this manual.
- Provide a means for visually checking the vent connection to the appliance after it is installed.

VENT SECTION CLEARANCES

NOTES: Wall thimble products that comply with the required 1" (25 mm) clearance to combustibles must be installed for all horizontal vent runs that pass through interior or exterior

walls. These wall thimble products may be insulated using unfaced insulation products listed as noncombustible per ASTM E 136.

NOTES: Attic insulation shields may be insulated using unfaced insulation products listed as noncombustible per ASTM E 136.

Vertical Pipe Section Clearances		
All Approved Venting		
Sides	1"	25 mm

Horizontal Pipe Section Clearances		
All Approved Venting		
Top	3"	76 mm
Bottom	1"	25 mm
Sides	1"	25 mm

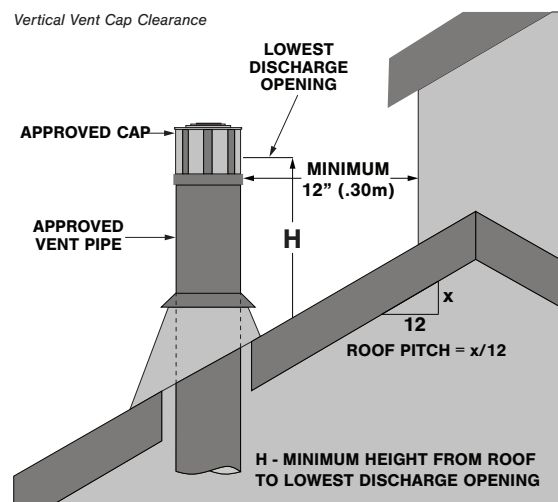
USE OF ELBOWS

- MAXIMUM NUMBER OF 90° ELBOWS: 4
- For each additional 90° elbow used after the first 90° elbow, 3 ft (91.4 cm) must be subtracted from maximum venting allowed.
- For each 45° elbow used, 1½ ft (457 mm) must be subtracted from maximum venting allowed.
- (2) 45° degree elbows may be used in place of (1) 90° elbow.

VERTICAL VENT CAP TERMINATION

⚠ WARNING:

THIS APPLIANCE MUST NOT SHARE OR BE CONNECTED TO A CHIMNEY FLUE SERVING ANY OTHER APPLIANCE.



Minimum Height (H) From Roof		
Roof Pitch	Feet	Meters
Flat to 6/12	1.0	0.30
Over 6/12 to 7/12	1.25	0.38
Over 7/12 to 8/12	1.5	0.46
Over 8/12 to 9/12	2.0	0.61
Over 9/12 to 10/12	2.5	0.76
Over 10/12 to 11/12	3.25	0.99
Over 11/12 to 12/12	4.0	1.22
Over 12/12 to 14/12	5.0	1.52
Over 14/12 to 16/12	6.0	1.83
Over 16/12 to 18/12	7.0	2.13
Over 18/12 to 20/12	7.5	2.27
Over 20/12 to 21/12	8.0	2.44

VENTING CONSIDERATIONS—VERTICAL TAKEOFF

Note: ALL venting considerations

- Dimensions of venting are based on using Dura Vent elbows. Elbow curve radius dimensions may vary when using other brands. In general, other brands have slightly bigger radius.
- Minimum 24 inches vertical pipe section required at unit. Refer to the "Venting Chart" section of this manual for allowable horizontal runs.
- 2 inches clearance to combustibles required above horizontal pipe. Slope horizontal pipe upwards 1/4 inch per foot. 1 inch clearance required around sides and bottom of horizontal pipe and around vertical pipe.
- When calculating effective pipe lengths subtract approximately 1-1/2 inch for pipe joint - for example, a 12 inches pipe section will add approximately 10 - 1/2 inches overall.

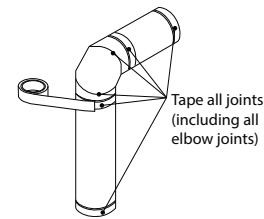
TOP OUTLET ONLY

This unit is supplied with a top vent outlet and should NOT be field-converted to a rear vent outlet (see vent chart in this manual).

VENT SEALING

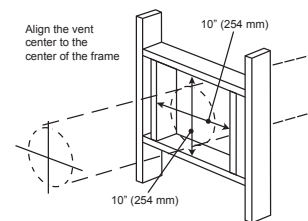
Seal all outer coaxial pipe and elbow joints, including sectioned elbow joints, using high quality, high temperature 2" wide self-adhesive aluminum foil tape (Nashua-322-2 brand or similar). Wrap the tape completely around all joints and press firmly to seal. A high temperature black silicone sealant may be used in the outer joints as a substitute to foil

tape. Ensure all the pipe joints have a minimum of -1/4" overlap.



WALL THICKNESS

The appliance vent is suitable for penetrating a combustibile wall assembly up to 8" in thickness. A non-combustible wall can be of any thickness up to the maximum horizontal run of vent pipe allowed for the particular installation.



FRAMING VENT IN COMBUSTIBLE WALLS & CEILINGS

When penetrating through combustibile walls and ceilings, frame a minimum of 10 in x 10 in opening and ensure that the insulation is kept clear of the vent pipe using either a wall thimble or an attic insulation shield. Follow the installation instructions supplied with the individual venting components.

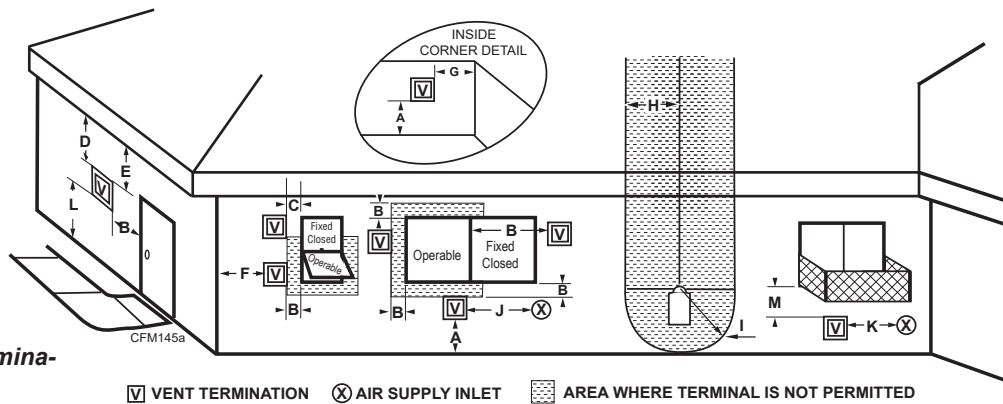
WEATHER SEALING & VAPOR BARRIERS

It is the installer's responsibility to ensure that vent installations through exterior walls are caulked and weatherproofed in such a manner as to:

- Prevent rain water from entering the wall from the weather side by adequately caulking the outer vent plate to the exterior wall surface.
- Prevent moisture inside the home from penetrating into the wall structure by ensuring the inside wall plate is adequately sealed to the inside vapor barrier.
- Prevent rain water and moisture from entering the walls by sealing the joints between the outer vent tube and the inner and outer wall plates. We recommend the use of a high quality polyurethane sealant.

All horizontal pipe runs must be graded 1/4" per foot upwards in the direction of the exhaust flow. The final pipe length, when terminating through the wall may be graded downwards slightly to prevent water migration.

GENERAL VENTING INFORMATION - TERMINATION LOCATION



Canadian Installations¹

US Installations²

	Canadian Installations ¹	US Installations ²
A = Clearance above grade, veranda, porch, deck, or balcony	12" (30 cm)	12" (30 cm)
B = Clearance to window or door that may be opened	6" (15 cm) for appliances < 10,000 BTU/h (3kW), 12" (30 cm) for appliances > 10,000 Btuh (3kW) and < 100,000 BTU/h (30kW), 36" (91 cm) for appliances > 100,000 BTU/h (30kW)	6" (15 cm) for appliances < 10,000 BTU/h (3kW), 9" (23 cm) for appliances > 10,000 Btuh (3kW) and < 50,000 BTU/h (15kW), 12" (30 cm) for appliances > 50,000 BTU/h(15kW)
C = Clearance to permanently closed window	12" (305 mm) recommended to prevent window condensation	12" (305 mm) recommended to prevent window condensation
D = Vertical clearance to ventilated soffit located above the terminal within a horizontal distance of 2' (610mm) from the center line of the terminal	18" (458 mm)	18" (458 mm)
E = Clearance to unventilated soffit	12" (305 mm)	12" (305 mm)
F = Clearance to outside corner	see next page	see next page
G = Clearance to inside corner (see next page)	see next page	see next page
H = Clearance to each inside of center line extended above meter/regulator assembly	3' (91 cm) within a height of 15' (5 m) above the meter/regulator assembly	3' (91 cm) within a height of 15' (5 m) above the meter/regulator assy
I = Clearance to service regulator vent outlet	3' (91 cm)	3' (91 cm)
J = Clearance to nonmechanical air supply inlet to building or the combustion air inlet to any other appliances	6" (15 cm) for appliances < 10,000 BTU/h (3kW), 12" (30 cm) for appliances > 10,000 BTU/h (3kW) and < 100,000 Btuh (30kW), 36" (91 cm) for appliances > 100,000 BTU/h (30kW)	6" (15 cm) for appliances < 10,000 BTU/h (3kW), 9" (23 cm) for appliances > 10,000 BTU/h (3kW) and < 50,000 BTU/h (15kW), 12" (30 cm) for appliances > 50,000 BTU/h(15kW)
K = Clearance to a mechanical air supply inlet	6' (1.83 m)	3' (91 cm) above if within 10' (3 m) horizontally
L = Clearance above paved sidewalk or paved driveway located on public property	7' (2.13 m)†	7' (2.13 m)†
M = Clearance under veranda, porch, deck or balcony	12" (30 cm)‡	12" (30cm)‡

1 In accordance with the current CSA-B149 Installation Codes
 2 In accordance with the current ANSI Z223.1/NFPA 54 National Fuel Gas Codes

† A vent shall not terminate directly above a sidewalk or paved driveway which is located between two single family dwellings and serves both dwellings

‡ only permitted if veranda, porch, deck or balcony is fully open on a minimum 2 sides beneath the floor:

NOTE: 1. Local codes or regulations may require different clearances.

2. The special venting system used on Direct Vent Stoves is certified as part of the appliance, with clearances tested and approved by the listing agency.

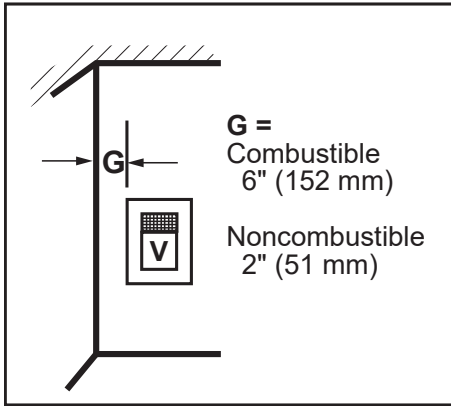
3. We assumes no responsibility for the improper performance of the appliance when the venting system does not meet these requirements.

TERMINATION CLEARANCES

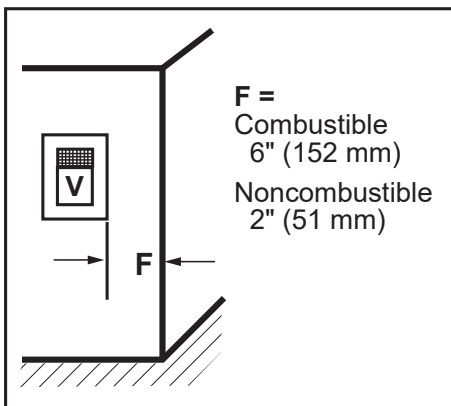
Termination clearances for buildings with combustible and noncombustible exteriors.

ALLOWABLE VENTING

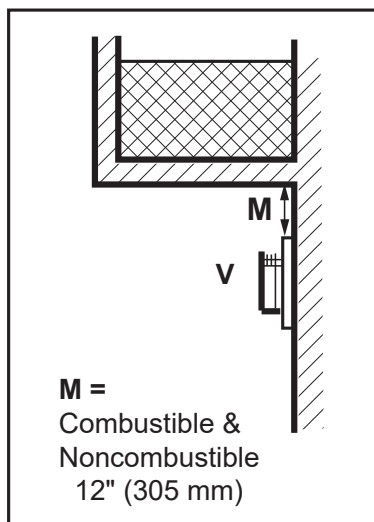
Inside Corner



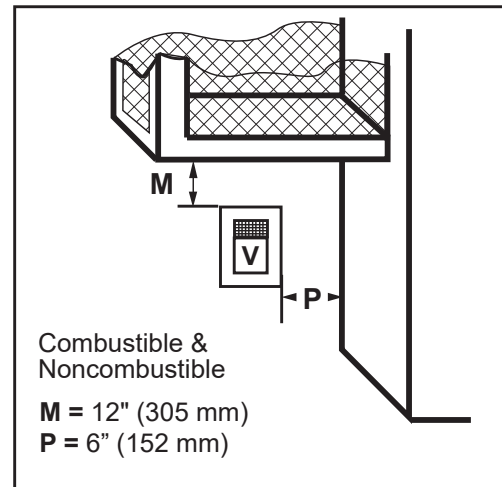
Outside Corner



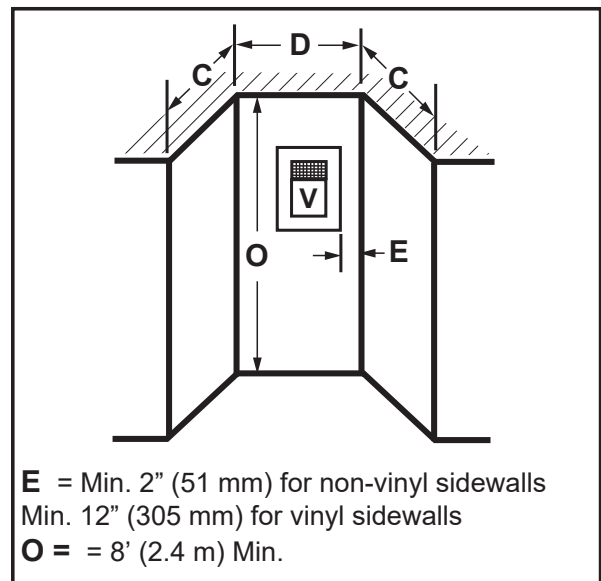
Balcony - with no side wall



Balcony - with perpendicular side wall



Alcove Applications



No. of Caps	D _{Min.}	C _{Max.}
1	3' (914 mm)	2 x D _{Actual}
2	6' (1.8 m)	1 x D _{Actual}
3	9' (2.7 m)	2/3 x D _{Actual}
4	12' (3.7 m)	1/2 x D _{Actual}

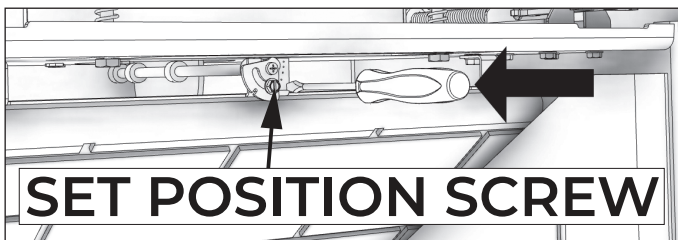
D_{Min.} = # of Termination caps x 3
 C_{Max.} = (2 / # termination caps) x D_{Actual}

RESTRICTOR ADJUSTMENT

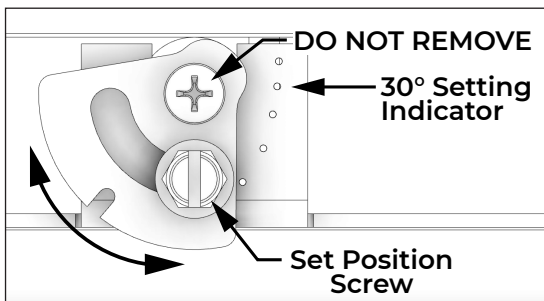
⚠ WARNING:
IMPROPER VENT INSTALLATION MAY CAUSE THE BURNER FLAMES TO LIFT OR "GHOST." PERFORM A VISUAL CHECK ON FLAME APPEARANCE AFTER RESTRICTOR ADJUSTMENT TO ENSURE PROPER PERFORMANCE.

ANY AND ALL ADJUSTMENTS TO THE RESTRICTOR MUST BE PERFORMED BY A CERTIFIED TECHNICIAN. Adjust the restrictor to achieve the desired flame appearance on any top venting configuration with 6 ft (1.83 m) of vertical pipe or more. Vertical terminations may display an active, compact flame. If this appearance is not desirable, the restrictor may need to be adjusted. Allow 15 minutes of burn time before making any adjustments. Adjust the restrictor as shown.

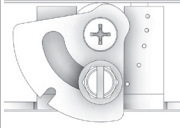
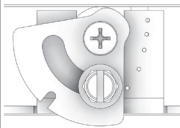


1. Remove the stove front and the glass frame assembly from the stove (see the "Glass Frame Assembly" section of this manual).
2. Reach in through the firebox and use a 1/4" socket or a flathead screwdriver to loosen the set position screw as shown. Rotate the restrictor to the desired setting and retighten the set position screw. **NOTE:** The restrictor is set at fully open from the factory. To adjust the restrictor to a 30° setting, align the right edge of the restrictor with the 30° setting indicator located to the right of the restrictor. The restrictor is in the correct location for a 30° setting, when the right edge of the restrictor is aligned with the second hole from the top.



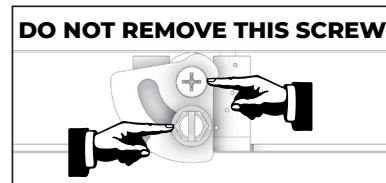
Note: Restrictor settings may vary, depending on unique venting configurations beyond that described in this manual



⚠ WARNING:
TO AVOID PROPERTY DAMAGE OR PERSONAL INJURY, ALLOW AMPLE TIME TO COOL BEFORE MAKING ANY ADJUSTMENTS.

Min Vent (Min Min)	
Top vent, 90° elbow to 12" horizontal.	
Restrictor setting fully open. No adjustment needed beyond factory setting.	
Min Vertical to Max Horizontal Vent (Min Max)	
Top Vent to 12" Vertical to 90° elbow to 4 ft Horizontal.	
Restrictor setting fully open. No adjustment needed beyond factory setting.	
Max Vertical to Max Horizontal Vent (Max Max)	
Top Vent to 10 ft Vertical to 90° elbow to 20 ft Horizontal.	
Restrictor setting 30° open	
Max Vertical Vent (Max Vert)	
Top vent, 40 ft Vertical.	
Restrictor setting 10° (to stop) open.	

⚠ WARNING:
DO NOT REMOVE THE SCREWS! DO NOT OPERATE THIS UNIT IF ONE OR BOTH SCREWS ARE NOT IN POSITION!

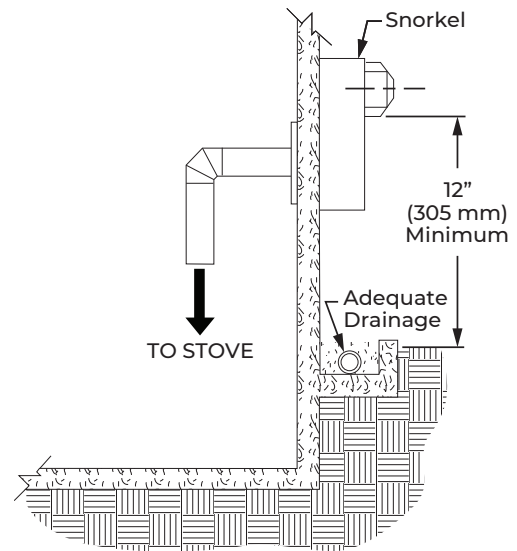
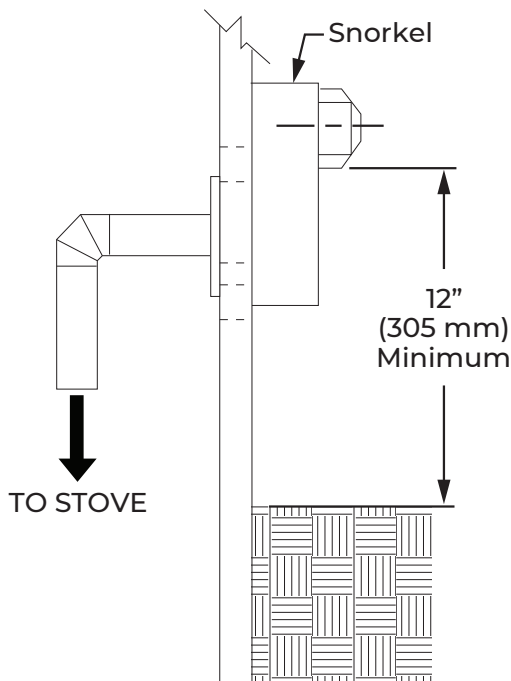


Restrictor Adjustment Guidelines		
Flame Appearance	Draft Problem	Solution
Short, flickering	Excessive draft or not enough restriction	Adjust restrictor to close more
Lifting or ghosting*	Insufficient draft	Adjust restrictor to open more
*If flames continue to lift or ghost after opening the restrictor and verifying correct vent installation, shut off the gas supply and call a qualified service technician.		

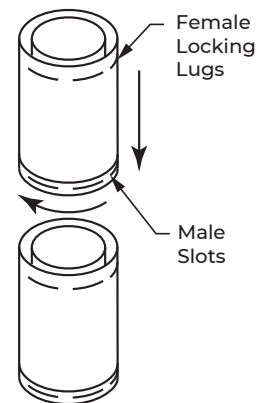
INSTALLATION FOR HORIZONTAL TERMINATION

- Determine the route your horizontal venting will take.
NOTE: The location of the horizontal vent termination on the exterior wall must meet all local and national building codes.

Snorkel terminations are available for terminations requiring a vertical rise on the exterior of the building. The figures follow the same installation procedures used for standard horizontal terminations. If installing the snorkel termination below grade (basement applications), you must provide proper drainage to prevent water from entering the snorkel termination. Do not back fill around the snorkel termination.



- Rigid vent pipes and fittings have special twist-lock connections. Assemble the desired combination of pipe and elbows to the appliance adaptor with pipe seams oriented towards the wall or floor. Twist-lock Procedure: The female ends of the pipes and fittings have three locking lugs (indentations). These lugs will slide straight into matching slots on the male end of adjacent pipes and fittings. Push the pipe sections together and twist one section clockwise approximately one-quarter turn until the sections are fully locked. NOTE: Horizontal runs of vent pipe must be supported every three (3) feet (914 mm). Use wall straps for this purpose.



- Attach vent pipe assembly to the stove. Set stove in front of its permanent location to ensure minimum clearances. Mark the wall for a 9-1/2" (241 mm) square hole (for noncombustible material such as masonry block or concrete, a 7-1/2" [190 mm] diameter hole is acceptable). The center of the hole should line up with the center line of the horizontal rigid vent pipe. Cut a 9-1/2" x 9-1/2" (241 x 241 mm) square hole through combustible exterior wall (7-1/2" [190 mm] diameter hole if noncombustible). Frame as necessary.

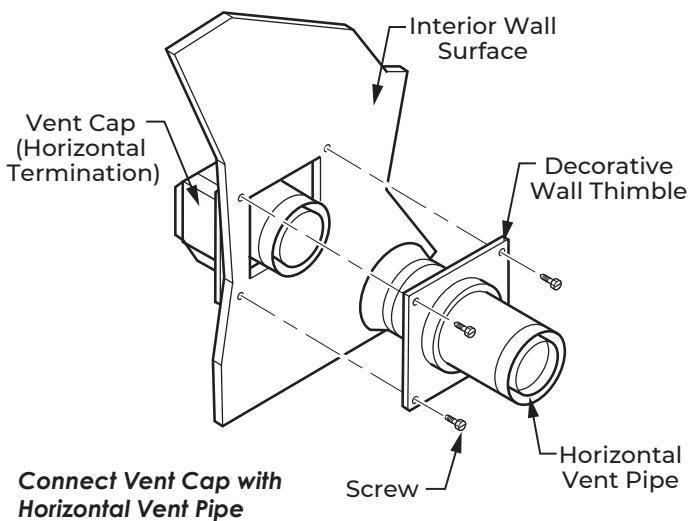
4. Apply a bead of non-hardening mastic around the outside edge of vent cap. Position the vent cap in the center of the 7-1/2" (190 mm) or 9-1/2" (241 mm) hole on the exterior wall with the word "UP" on the vent cap facing up. Ensure proper clearance of 1" to combustibles is maintained. Attach the vent cap with four wood screws supplied.

For vinyl siding, stucco, or wood exterior use vinyl siding standoffs between vent cap and exterior wall. The vinyl siding standoff prevents excessive heat from melting the vinyl siding material. Bolt the vent cap to the standoff.

⚠ WARNING:
DO NOT RECESS VENT TERMINATION INTO ANY WALL.
THIS WILL CAUSE A FIRE HAZARD.

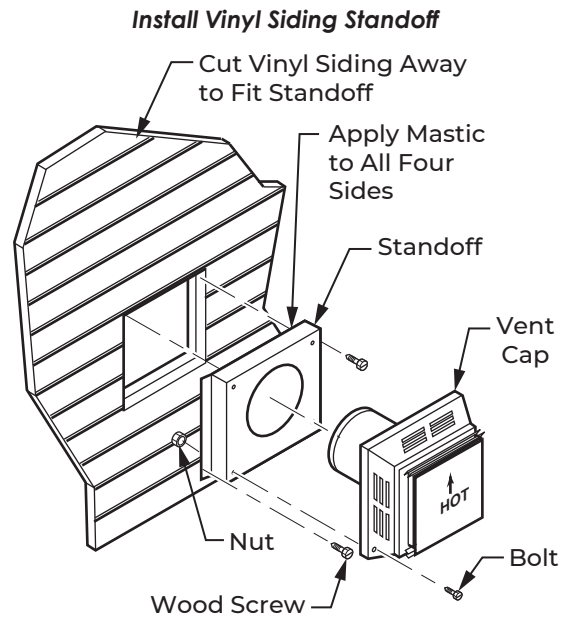
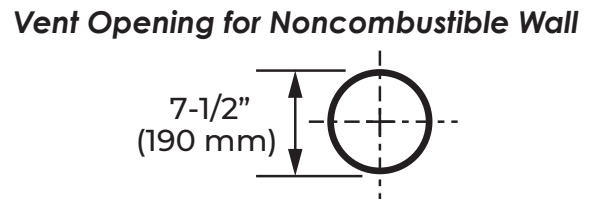
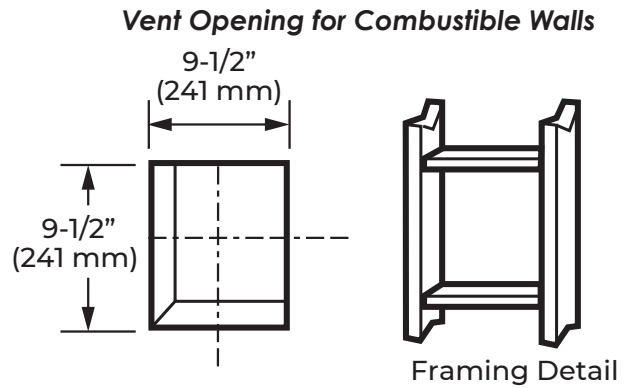
Apply non-hardening mastic around outside edge of the standoff instead of the vent cap assembly. Use wood screws provided to attach the standoff. NOTE: Replace the wood screws with appropriate fasteners for stucco, brick, concrete, or other types of siding.

5. Slide the wall thimble over the vent pipe before connecting the horizontal run to the vent cap.
6. Carefully move the stove with vent assembly attached toward the wall and insert the vent pipe into the horizontal termination. The pipe overlap should be a minimum of 1 1/4" (32 mm). Apply silicone to the outer pipe connection. Fasten all vent connections with screws provided.
7. Slide the wall thimble against the interior wall surface and attach with screws.

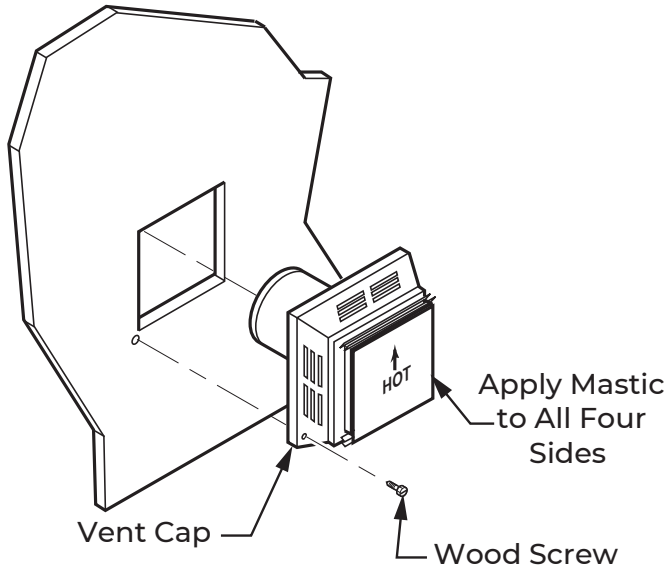


HORIZONTAL TERMINATION CONFIGURATIONS

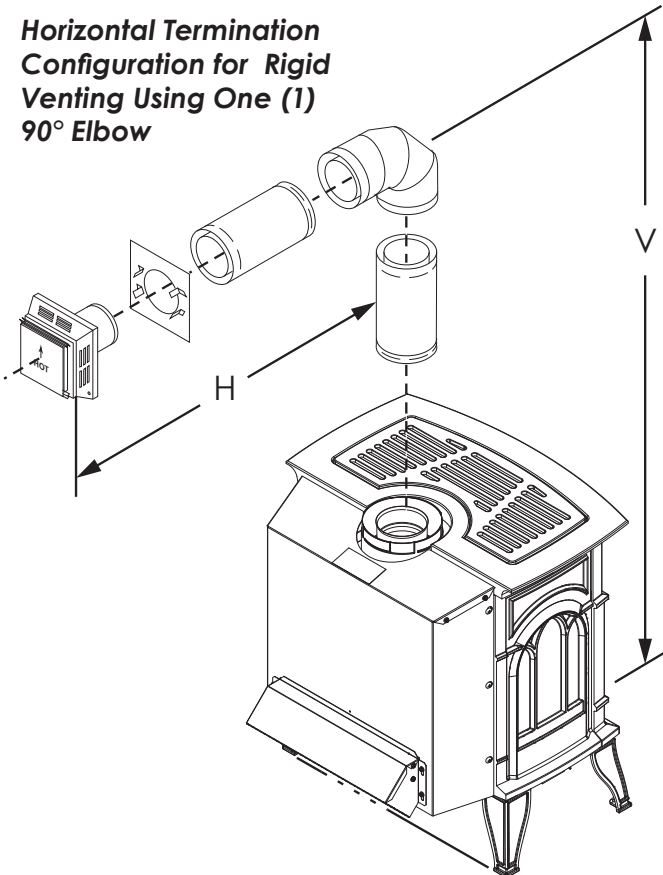
The figures show different configurations for venting and horizontal termination. Each figure includes a chart with an example of horizontal maximum and vertical minimum dimensions taken from the "Acceptable Venting Configurations" chart in this manual. NOTE: The horizontal run controls the minimum vertical height (i.e. the longer the horizontal run, the higher the termination will be). Follow the "Acceptable Venting Configurations" chart in this manual. All horizontal terminations require a 1/4" (6 mm) rise per 12" (305 mm) of horizontal run.



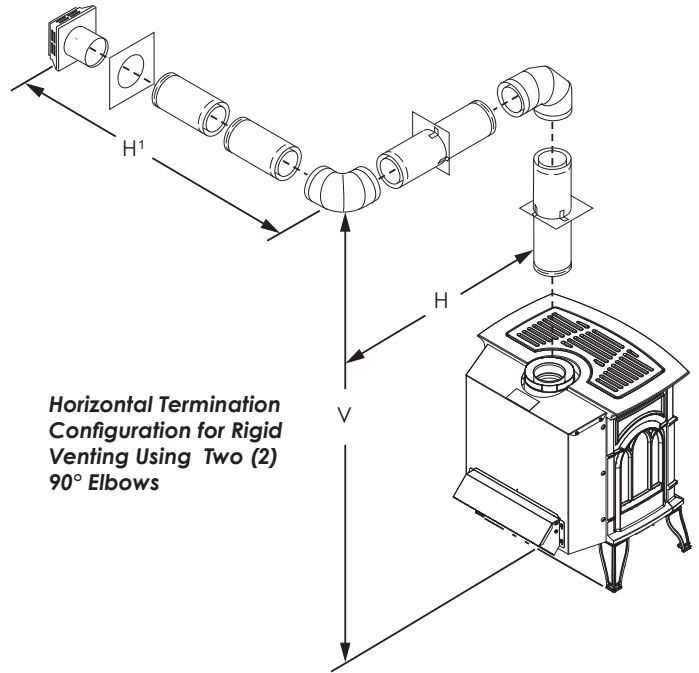
Install Horizontal Vent Cap



Horizontal Termination Configuration for Rigid Venting Using One (1) 90° Elbow



Horizontal Venting	
Maximum Horizontal (H)	Vertical Minimum
24" (610mm)	54-1/2" (1384)
20" (6m)	102-1/4" (2597mm)
NOTE: Add 1/4" rise per 12" horizontal length of pipe. NOTE: This configuration is for use with corner installation also.	



Horizontal Venting with Two (2) 90° Elbows	
Maximum Horizontal $H + H'$	Vertical Minimum
24" (610 mm)	54-1/2" (1384)
20" (6m)	102-1/4" (2597 mm)
NOTE: Add 1/4" rise per 12" horizontal length of pipe.	

VERTICAL TERMINATIONS

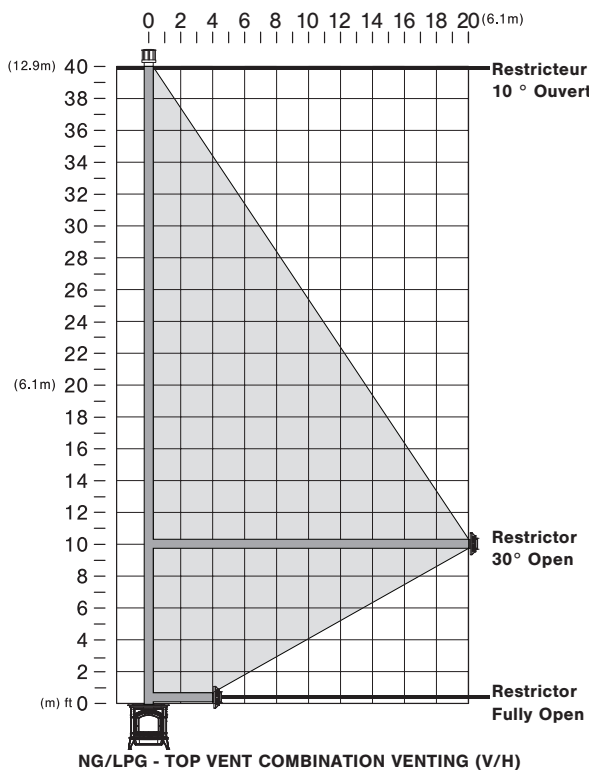
▲ IMPORTANT:
HORIZONTAL VENT SECTIONS REQUIRE 1/4" (6 MM) RISE FOR EVERY 12" (305 MM) OF TRAVEL.

NG/LPG - Min / Max Vertical Terminations			
Min Vertical Length		Max Vertical Length	
6 ft	1.83 m	40 ft	12.2 m

COMBINATION VENTING

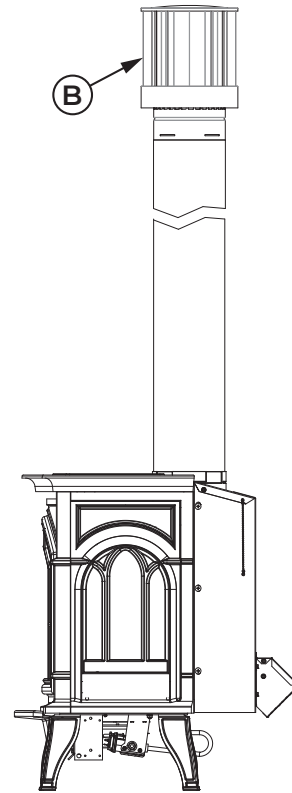
NG/LPG - Min Horizontal Vent Terminations		
Min Vertical Venting	Min Horizontal Run (HMIN)	Max Horizontal Run (HMIN)
12" (304 mm)	12" (304 mm)	4ft (1.22m)

NG/LPG - Max Vertical / Max Horizontal Combination					
Max Vertical Rise		Max Horizontal Run		Total Length	
10 ft	3.1 m	20 ft	6.1 m	30 ft	9.2 m
Maximum number of 90° elbows: 4					

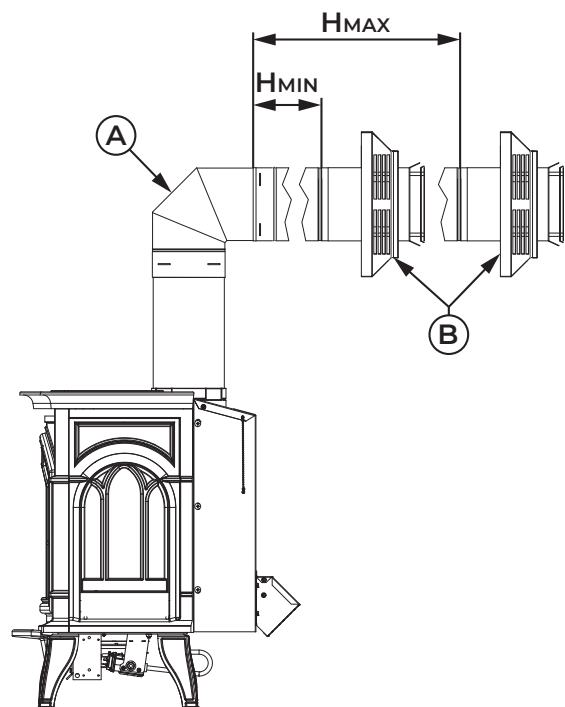


TOP VENTING DIAGRAM (VERTICAL & HORIZONTAL TERMINATIONS)

(A) 90° Elbow
 (B) Termination Cap
 NG/LPG - 6ft (1.83m) MIN / 40ft (12.2m) MAX



NG/LPG - 90° ELBOW + 6" (152mm) HMIN / 4ft (1.3m) HMax



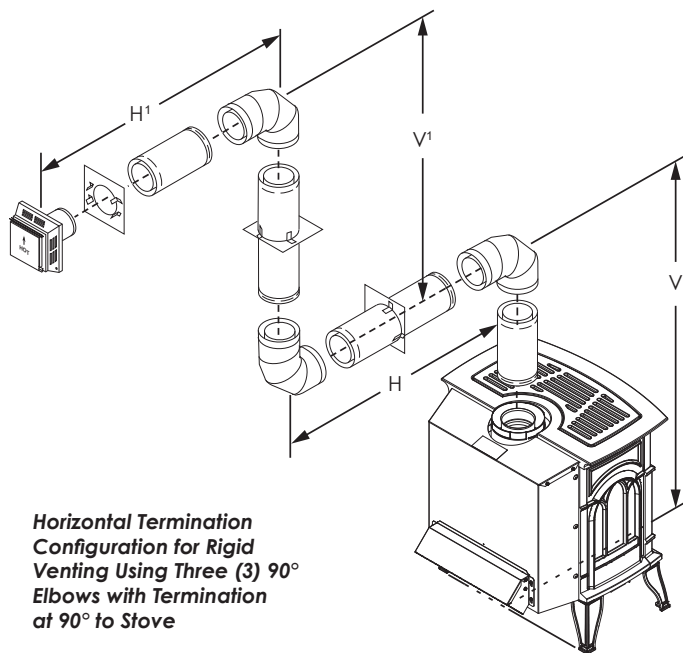
INSTALLATION FOR VERTICAL TERMINATION

1. Determine the route your vertical venting will take. If ceiling joist, roof rafters or other framing will obstruct the venting system, consider an offset. Refer to the figure above to avoid cutting load bearing members. NOTE: Pay special attention to these installation instructions for required clearances (air space) to combustibles when passing through ceilings, walls, roofs, enclosures, attic rafters, etc. Do not pack air spaces with insulation. Also note maximum vertical rise of the venting system and any maximum horizontal offset limitations. Offsets must fall within the parameters shown in this manual.
2. Set stove in desired location. Drop a plumb line down from the ceiling to the position of the burner system exit flue. Mark the center point where the vent will penetrate the ceiling. Drill a small locating hole at this point. Drop a plumb line from the inside of the roof to the locating hole in the ceiling. Mark the center point where the vent will penetrate the roof. Drill a small locating hole at this point.

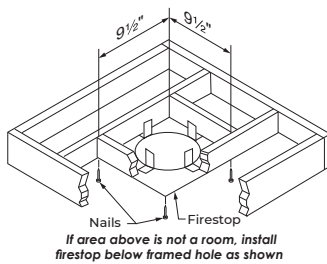
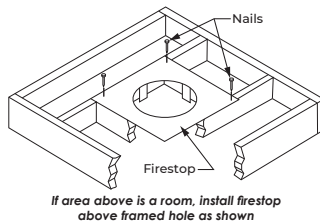
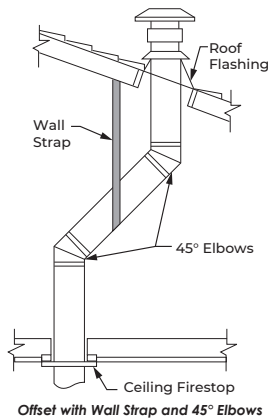
FLAT CEILING INSTALLATION

1. Cut a 9-1/2" (241 mm) square hole in the ceiling using the locating hole as a center point. The opening should be framed to 9-1/2" x 9-1/2" (241 mm x 241 mm) inside dimensions as shown using framing lumber the same size as the ceiling joist. If the area above the ceiling is an insulated ceiling or a room, nail firestop from the top side. This prevents loose insulation from falling into the required clearance space. Otherwise, install firestop below the framed hole. The firestop should be installed with no less than three nails per side.
2. Assemble the desired lengths of pipe and elbows necessary to reach from the burner system flue up through the firestop. Be sure pipe and elbow connections are fully twist-locked.
3. Cut a hole in the roof using the locating hole as a center point. (Cover any exposed open vent pipes before cutting hole in roof). The 9-1/2" x 9-1/2" (241 mm x 241 mm) hole must be measured on the horizontal. Actual length may be larger depending on the pitch of the roof. There must be a 1" minimum clearance from the vent pipe to combustible materials. Frame the opening as shown in this manual.

4. Connect a section of pipe and extend up through the hole. NOTE: If an offset is needed to avoid obstructions, you must support the vent pipe every three (3) feet. Use wall straps for this purpose. Whenever possible, use 45° elbows instead of 90° elbows. The 45° elbow offers less restriction to the flow of the flue gases and intake air.
5. Place the flashing over the pipe section(s) extending through the roof. Secure the base of the flashing to the roof and framing with roofing nails. Be sure roofing material overlaps the top edge of the flashing as shown. There must be a 1" clearance from the vent pipe to combustible materials.
6. Continue to add pipe sections until the height of the vent cap meets the minimum building code requirements.



Horizontal Venting with Three (3) 90° Elbows	
Maximum Horizontal (H + H')	
24" (610mm)	52-1/2" (1334mm)
20" (6m)	98-3/4" (2508mm)
NOTE: Add 1/4" rise per 12" horizontal length of pipe.	
NOTE: V + V1 = 20' (6 m) maximum.	



NOTE: You must increase vent height for steep roof pitches. Nearby trees, adjoining roof lines, steep pitched roofs, and other similar factors may cause poor draft or down-drafting in high winds. Increasing the vent height may solve this problem.

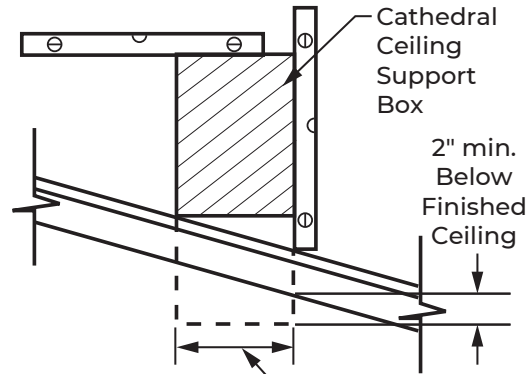
NOTE: If the vent pipe passes through any occupied areas above the first floor, including storage spaces and closets, you must enclose pipe. You may frame and sheetrock the enclosure with standard construction material. Make sure to meet the minimum allowable clearances to combustibles. Do not fill any of the required air spaces with insulation.

CATHEDRAL CEILING INSTALLATION

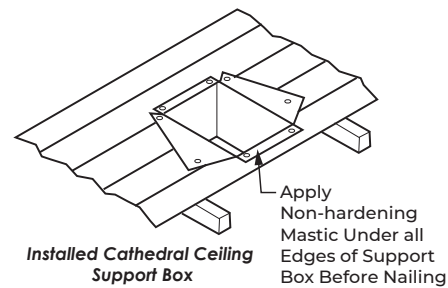
▲ IMPORTANT:

REVIEW ALL INFORMATION ON PREVIOUS PAGE BEFORE PLANNING THIS INSTALLATION. CATHEDRAL CEILING INSTALLATIONS CAN BE VERY TRICKY

Cathedral Ceiling Support Box Installation



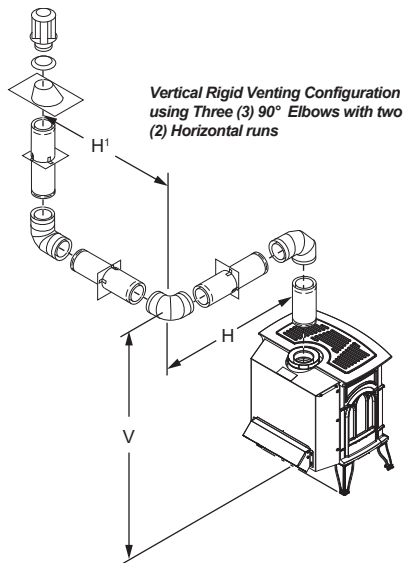
Cut Hole 1/8" Larger Than Support Box When Projected Onto Roofline



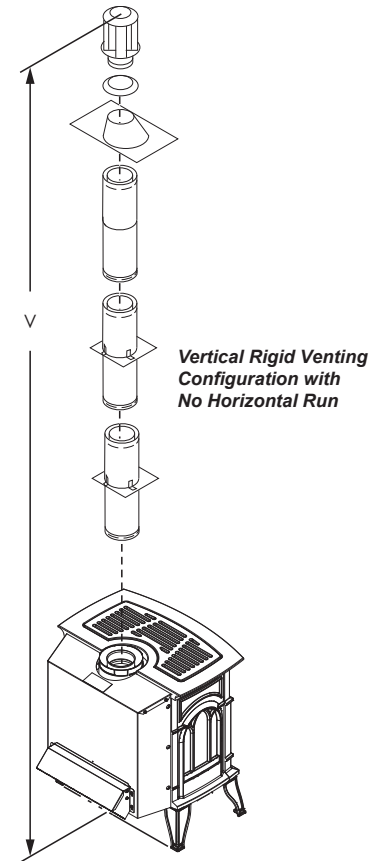
1. Remove shingles or other roof covering as necessary to cut the rectangular hole for the support box. Mark the outline of the cathedral ceiling support box on the roof sheathing using the locating hole as a center point.
2. Cut the hole 1/8" larger than the support box outline.
3. Lower the support box through the hole in the roof until the bottom of the box extends at least 2" (50 mm) below the ceiling. Align the support box vertically and horizontally using a level. Temporarily tack the support box in place through the inside walls and into the roof sheathing.
4. Using tin snips, cut the support box from the top corners down to the roof line and fold the resulting flaps over the roof sheathing. Apply a bead of non-hardening mastic around the top edges of the support box to make a seal between the box and the roof. Nail in place with roofing nails. Remove any combustible material that might be inside the support box.
5. Complete the cathedral ceiling installation by following the same procedures outlines in Steps 2 through 6 for Flat Ceiling Installation.

VERTICAL TERMINATION CONFIGURATIONS

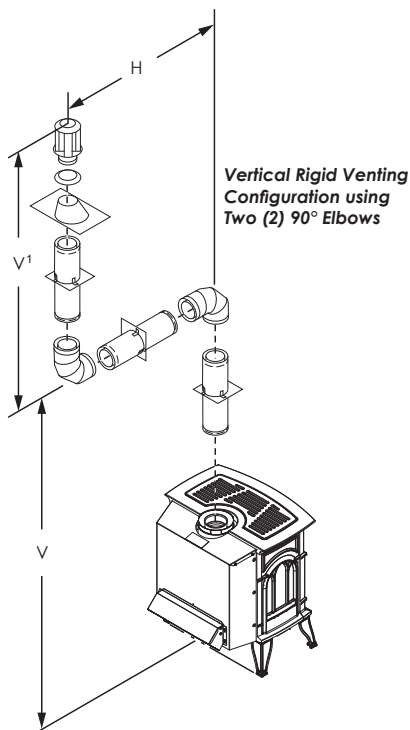
The following three figures show the three different configurations for vertical termination.



Venting with Three (3) 90° Elbows	
Maximum Horizontal H + H ¹	Minimum Vertical (V)
24" (610 mm)	52-1/2" (1334 mm)
20" (6m)	98-3/4" (2508 mm)



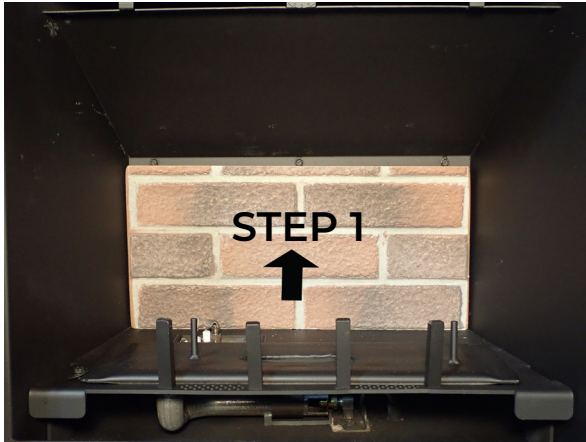
Venting with Two (2) 90° Elbows	
Maximum Horizontal (H + H ¹)	Minimum Vertical (V)
24" (610 mm)	44-3/4" (1137 mm)
20" (6m)	98-3/4" (2508 mm)



LINER PLACEMENT

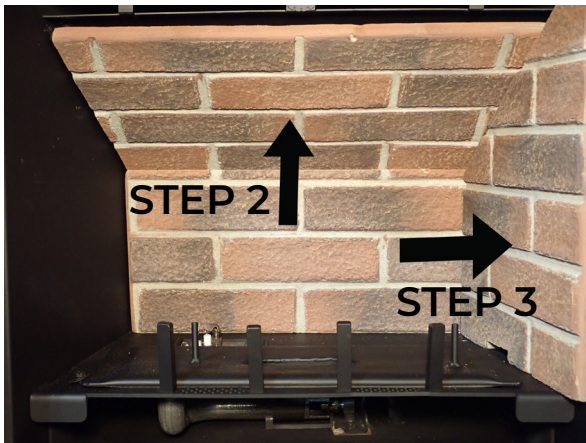
Only the liner set that has been certified with this unit shall be used.

STEP 1

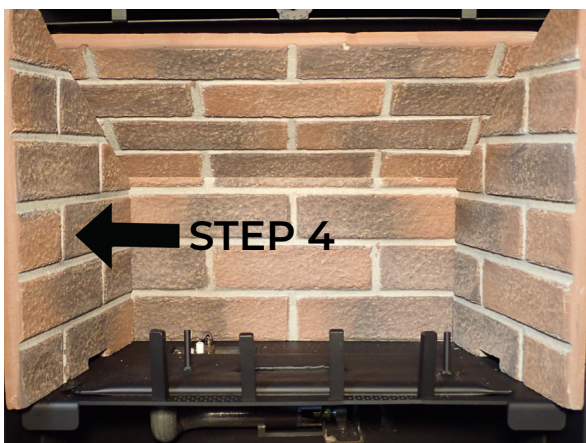


STEP 2 & 3

NOTE: When properly installed the side panel is designed to hold the top panel in place.



STEP 4



LOG PLACEMENT

⚠ CAUTION:

DO NOT PLACE LOGS DIRECTLY OVER BURNER PORT HOLES. IMPROPER LOG PLACEMENT MAY AFFECT FLAME APPEARANCE AND CAUSE EXCESSIVE SOOT TO BUILD UPON THE LOGS AND GLASS.

If converting to LP (propane) gas, complete the conversion before installing the log set. Follow the conversion instructions included with the kit.

Only the log set that has been certified with this unit shall be used. NOTE: This unit should not be burned without the approved logs, surrounds, and liners properly installed. Use without the logs, surrounds, and liners properly installed could cause damage to the appliance.

STEP 1



STEP 2



STEP 3

Place dime sized pieces of ember wool as shown.



STEP 6



STEP 4



STEP 7



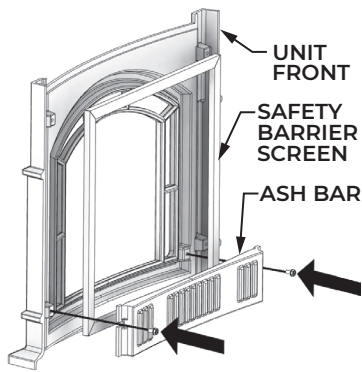
STEP 5



SAFETY BARRIER

⚠ WARNING:

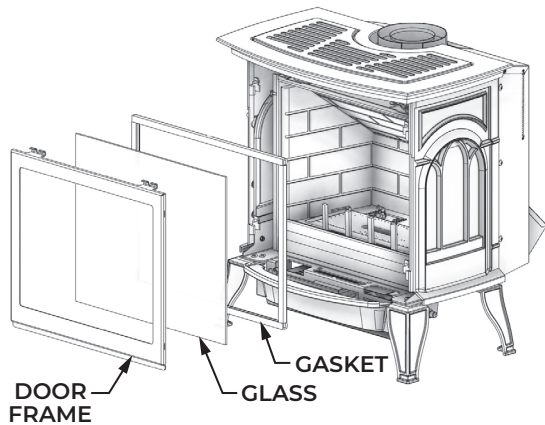
- A BARRIER DESIGNED TO REDUCE THE RISK OF BURNS FROM THE HOT VIEWING GLASS IS PROVIDED WITH THIS APPLIANCE AND SHALL BE INSTALLED FOR THE PROTECTION OF CHILDREN AND OTHER AT-RISK INDIVIDUALS. IF THE BARRIER BECOMES DAMAGED, THE BARRIER SHALL BE REPLACED WITH THE MANUFACTURER'S BARRIER FOR THIS APPLIANCE.
- ONLY THE BARRIER CERTIFIED WITH THIS UNIT SHALL BE USED.
- ONLY DOORS CERTIFIED WITH THE APPLIANCE SHALL BE USED.
- DO NOT OPERATE THIS UNIT WITHOUT THE SAFETY BARRIER



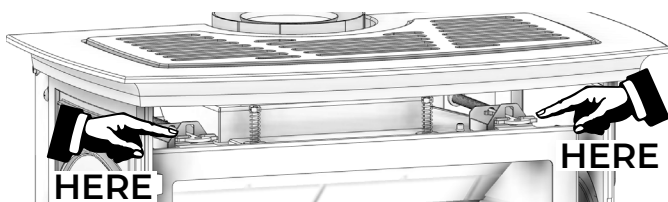
GLASS FRAME ASSEMBLY

⚠ WARNING:

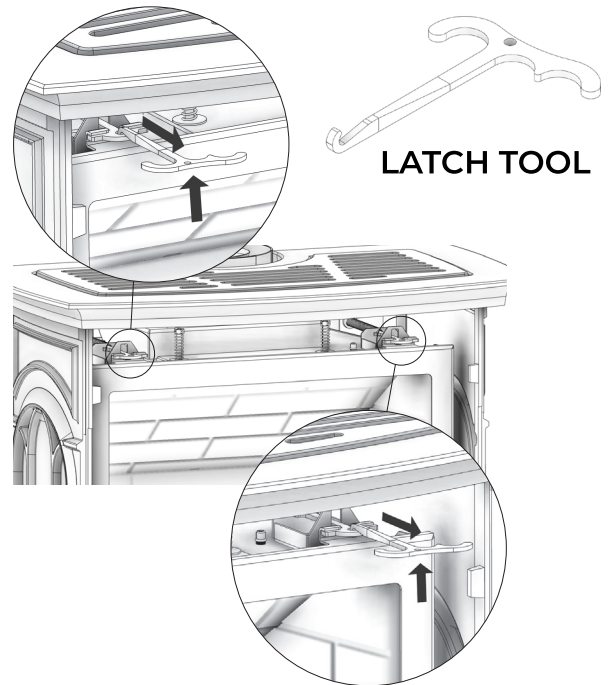
- DO NOT OPERATE WITH THE GLASS REMOVED, CRACKED, OR BROKEN. REPLACEMENT OF THE GLASS ASSEMBLY SHOULD BE DONE BY A LICENSED OR QUALIFIED SERVICE PERSON.
- USE ONLY AUTHORIZED PARTS AND MATERIALS WHEN REPLACING DEFECTIVE OR DAMAGED GLASS.
- ANY SAFETY SCREEN, GUARD, OR BARRIER REMOVED FOR SERVICING AN APPLIANCE MUST BE REPLACED PRIOR TO OPERATING THE APPLIANCE.
- DO NOT REMOVE THE GLASS ASSEMBLY WHEN HOT.



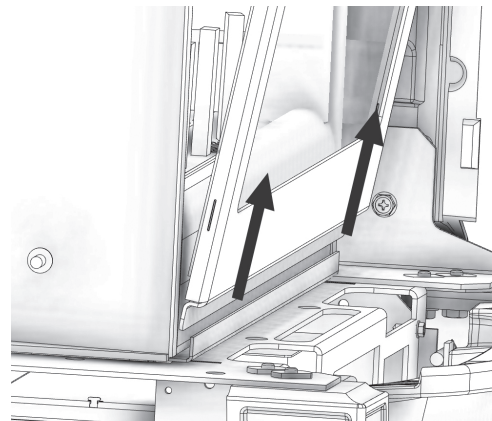
1. Remove the cast-iron front from the stove. Lift up and pivot the bottom out to remove.
2. Locate (2) spring-loaded latches securing the glass assembly at the top of the firebox.



3. Use the provided latch tool to pull the spring-loaded latches out and up to release the top of the glass assembly. NOTE: Remove and store the latch tool when not in use.



4. Lift the glass assembly up and out of the groove located at the bottom of the firebox.



NOTE: The side of the stove was removed in the image for clarity purposes only.

INSTALL GLASS FRAME ASSEMBLY

1. Place the bottom of the glass assembly into the groove at the bottom of the firebox and tilt the top backwards into position.
2. Pull the spring-loaded latches out and down to secure the top of the glass to the top of the appliance.

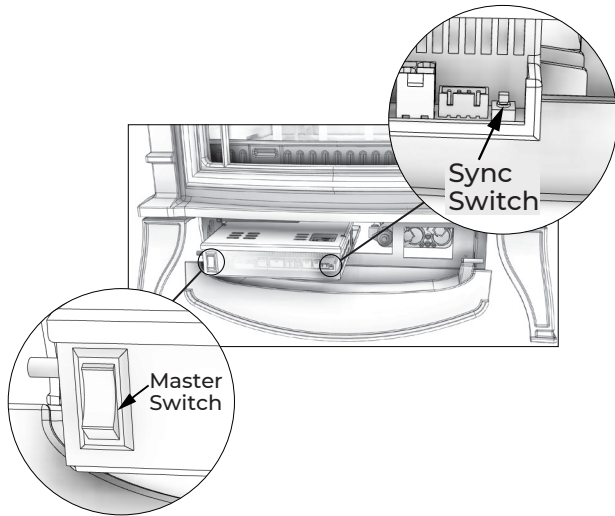
USING YOUR REMOTE CONTROL

Your remote control is preprogrammed. Ensure you have installed 3 AAA batteries into your remote.

Press the top button on the remote control. If you do not hear a beep when you press this button, follow the instructions below to synchronize your appliance and remote control.

SYNCHRONIZING THE REMOTE CONTROL

The master switch is located on the bottom left corner.



Follow the steps below to synchronize:

1. Toggle the master On/Off switch to "ON" (toggle up). The burners will not ignite unless the master switch is on.
2. Locate sync switch on the ignition module. It is the red button located on the ignition module labeled "SW1". Press the sync button and release. The module will beep 3 times indicating that it is ready to synchronize with a remote control. NOTE: If you do not hear any beeps when you press the sync button, contact your authorized dealer or installer for assistance.
3. Within 7 seconds, press the "ON" button on the remote control. The appliance will beep to indicate that the remote control's command is accepted and sets to the code of that controller.

Your system is now synchronized.

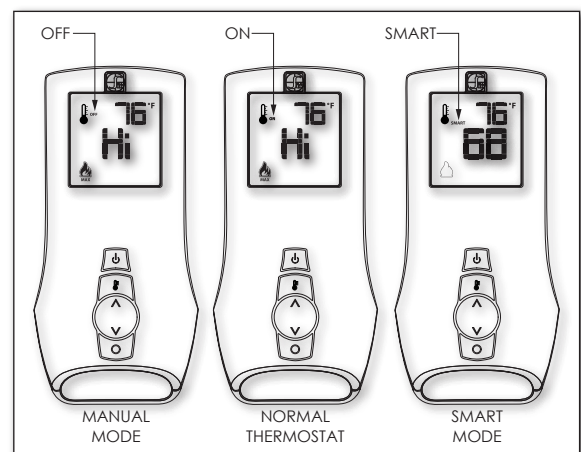
REMOTE CONTROL FUNCTIONS

NOTE: You will hear a beep once every time a remote-control button is pressed, signaling that the command has been received. Locate the four function buttons on the remote control:

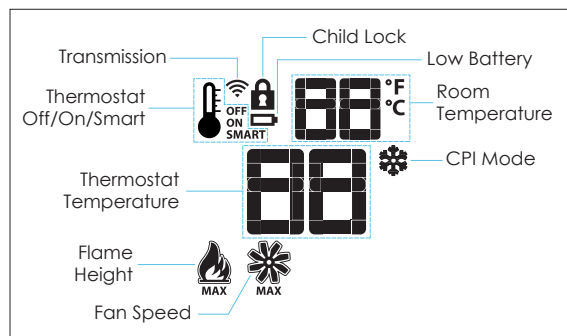
1. On/Off Button: This button turns the appliance on or off. When this button is depressed, and the system is

off, the pilot will ignite. After pilot ignition, the pilot will light the main burners. Refer to IPI and CPI Modes in this manual for pilot ignition.

2. Thermostat Button: This button will allow the selection of three modes: Manual, Normal Thermostat, and Smart Thermostat. NOTE: The fireplace will automatically shut off after 12 hours of continuous use.
 - a. Manual (Off): In this mode, the appliance can be turned on, regardless of the room temperature. The actual room temperature has no effect in this mode. All other functions such as fan speed control and flame height control are manually controllable.
 - b. Normal Thermostat (On): Will turn itself on and off, depending on the temperature you set. When you set the thermostat, it will continue heating until the room temperature increases 1°F above the set thermostat temperature. To increase the thermostat temperature, press the up button until the desired temperature is displayed in the thermostat temperature window. The fan will turn on 5 minutes after startup and will turn off 12 -1/2 minutes after the flames turn off. The flame height can be adjusted while in use, fan speed can be adjusted after 5 minutes of startup.
 - c. Smart Thermostat (Smart): In this mode, room temperature is maintained, and flame height adjusts automatically to provide continual, efficient heat. All other functions of the normal thermostat mode, except the flame height adjustment, are allowed. Manual flame height adjustment is not allowed in this mode. The Smart Thermostat function adjusts the flame height in accordance to the difference between the set point temperature and the actual room temperature. As the room temperature gets closer to the set point temperature, the Smart Thermostat automatically modulates the flame down.

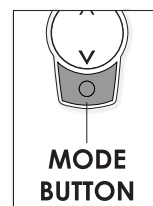


- Up/Down Button: This button is used to increase or decrease the thermostat temperature, flame height, and fan speed.
- Mode Selection Button: This button is used to toggle between the various function icons: flame height, fan speed, and rear burner (certain models).



ICON DETAILS

Mode Button: Pressing the mode button toggles between the various available functions: flame height, fan speed, and rear burner on/off.



AUTOMATIC SAFETY RESTART

This system will execute an automatic turn off command within (24) hours of a continued pilot flame ignition. This allows the system to verify correct safety functions. After the turn off sequence is completed, the ignition module will re-execute the latest command.

TURN ON FUNCTION

- Press the on/off button. The remote-control display will show all active icons on the screen.
- Select the thermostat mode by pressing the thermostat button: OFF (meaning Manual), ON (meaning Normal Thermostat) or Smart (meaning Smart Thermostat).
 - If the thermostat icon displays as "OFF" (Manual), it will ignite and start on Hi.
 - If the thermostat icon displays as "ON" (Normal Thermostat), it will only ignite if the thermostat temperature is greater than the room temperature.
 - If the thermostat icon displays as "SMART" (Smart Thermostat), it will only ignite if the thermostat temperature is greater than the room temperature.

TURN OFF FUNCTION

Press the on/off button.

UNDERSTANDING YOUR REMOTE-CONTROL ICONS

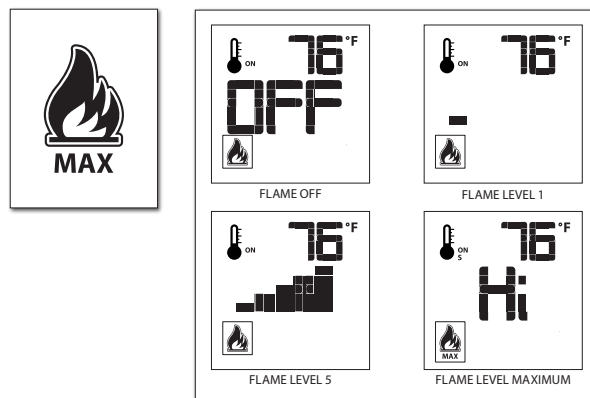
Your remote control displays and controls the following functions. See below for detailed control icon explanations.

Flame Height: Six flame height levels are available. While the flame height icon is displayed, pressing the up or down button once will increase or decrease the flame height by 1 of 6 levels.

If the flame height is at Level 1 and the down button is pressed, all burners will turn off.

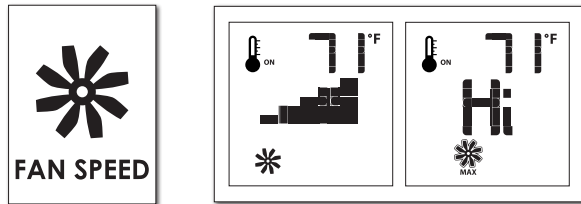
If in IPI mode, the pilot will also extinguish.

If in CPI mode, the pilot will remain on. If in Smart Thermostat, the flame height function is not available for manual adjustment. In Smart Thermostat, the flame height regulates automatically.



Fan Speed Control: The fan speed can be adjusted through 6 speeds and off. To activate this function, press the Mode button until it displays the fan icon. Use the up/down arrow

button to turn on, off, or adjust the fan speed. Once you set the desired fan control, the system will remember your selected fan speed until you manually change it.



IPI AND CPI MODES

Intermittent Pilot and Continuous (Standing) Pilot Features - First lights a pilot then uses the pilot to ignite the main burners. The pilot can be set in the CPI (Continuous Pilot Ignition) mode to allow the pilot to remain on indefinitely by setting the remote control to CPI mode. If the remote control is set to the IPI (Intermittent Pilot Ignition) mode, the pilot will only light and remain on while the main burners are operating.

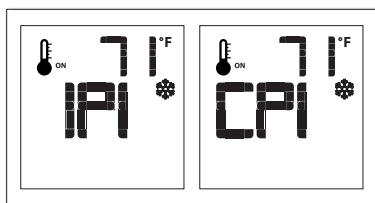
IPI Mode: This mode turns the pilot off when not in use and only lights the pilot automatically when a call for heat is made by the remote control.

CPI Mode: If set to CPI mode, the pilot will ignite and remain on at all times.

SETTING TO IPI OR CPI MODE

With the remote control off, press the MODE button. You will see either "CPI" or "IPI" displayed on the screen. Press the UP arrow button to set "CPI" mode and press the down arrow button to set "IPI" mode. Once set to the desired setting, press On/Off button to activate.

Recommended: Keep in CPI mode. While not mandatory, this will keep the chimney heated for proper updraft during burner ignition, and it will also eliminate excessive condensation of exhaust vapors on the door glass. NOTE: The snowflake icon will be visible on the display always when in CPI mode.



Leaving it in CPI mode will keep the body warm and eliminate cold drafts and heat loss to the cold air that is trapped inside the firebox.

FIRST-TIME LIGHTING INSTRUCTIONS

⚠ WARNING:
WHAT TO DO IF YOU SMELL GAS
<ul style="list-style-type: none">• DO NOT LIGHT ANY UNIT.• DO NOT TOUCH ANY LIGHT SWITCH• DO NOT USE ANY PHONE IN YOUR BUILDING.• CALL YOUR GAS SUPPLIER FROM A NEIGHBOR'S PHONE.• FOLLOW THE PROVIDER REPRESENTATIVE'S INSTRUCTIONS.• IF YOU CANNOT REACH YOUR GAS SUPPLIER, CALL THE FIRE DEPARTMENT FOR ASSISTANCE.

⚠ WARNING:
IF YOU DO NOT FOLLOW THESE INSTRUCTIONS EXACTLY, A FIRE OR EXPLOSION MAY RESULT CAUSING PROPERTY DAMAGE, PERSONAL INJURY, AND LOSS OF LIFE.

SAFETY INFORMATION

- This appliance is equipped with an ignition device which automatically lights the pilot. Do not attempt to light pilot by hand.
- Before operating, smell all around the area for gas. Be sure to smell next to the floor because some gas is heavier than air and will settle on the floor.
- Toggle master switch to on. The burners will not ignite unless the master switch is on.
- Use only the supplied remote control to light the pilot. This valve will not operate if the pilot is not lit and stable.
- Do not use if any part has been underwater. Immediately call a qualified service technician to inspect and replace any component which has been under water. Attempted operation may result in fire or explosion resulting in property damage, personal injury, and loss of life.

OPERATING INSTRUCTIONS

1. Read the above safety information carefully before proceeding.
2. Do not attempt to light the pilot by hand; the door must remain on this appliance during pilot ignition, except for the first time lighting.
3. Press the On/Off button on remote control to begin the ignition sequence.
4. There will be an audible beep and then the igniter will begin to spark. After the pilot lights and is established,

the valve will automatically open and the burner will light. The burner will initially light to full flame. Adjust it to an appealing setting with the remote (see "Remote Operating Instructions" in this manual).

▲ WARNING:

IF THE PILOT FAILS TO LIGHT, THE SYSTEM WILL "LOCKOUT". PRESS ON/OFF BUTTON ON REMOTE CONTROL TO TURN OFF THE SYSTEM. ALLOW FIVE MINUTES FOR ANY GAS TO DISSIPATE BEFORE ATTEMPTING TO RE-LIGHT THE PILOT.

5. Press On/Off button on remote control again to start ignition sequence.
6. If it will not operate, follow the instructions "Turning Off" section and call your service technician or gas supplier.

TURNING OFF

1. Press the On/Off button on the remote control.
2. Turn off the external manual shutoff valve supplied by installer and mounted adjacent to the appliance.
3. Turn off all electric power to the appliance if service is to be performed.

FREQUENTLY ASKED QUESTIONS

Where Can I Find The Model And Serial Numbers?

This image is only an example. The label on the actual unit will vary slightly. When requesting service, you will be asked to provide the model number, serial number, and manufacture date to your authorized dealer. This information will expedite the warranty verification process. This is an example of your listing label:

Gas Size / Pressure / Air Flow / Ignition / Pilot / Burner / Venting / Safety / Dimensions / Weight / Net Weight / Shipping Weight / Minimum Appliance Clearances / Installation / Notes	
Model / Modèle: B1123	Certified to (Canada) ANSI Z21.88-2017 / CSA 2.13-2017; CSA 2.17-2017; CAN/CSA P-1-2015
Serial No. / N° de série: [Redacted]	Mfg. Date / Date de Fabrication: [Redacted]
VENTED GAS FIREPLACE HEATER	
NOT FOR USE WITH SOLID FUELS. THIS APPLIANCE IS MANUFACTURED AS NATURAL GAS.	
<p>WARNING: Improper installation, adjustment, alteration, service or maintenance can cause injury or property damage. Refer to the owner's manual provided with this appliance. For assistance or additional information consult a qualified installer, service agency or the gas supplier. This vented gas fireplace is not for use with air drawn from outside the structure unless a certified installer.</p> <p>NOTICE: This appliance must be installed in accordance with local codes, if any; if none, follow the National Fuel Gas Code, ANSI Z223.1/NFPA 54, or Natural Gas and Propane Installation Code, CSA B149.1.</p> <p>CAUTION: This vented gas fireplace heater is not for use with air drawn from outside the structure unless a certified installer.</p> <p>REPLACEMENT FAN KIT: Part #R1202 (not for assembly must be used. Rating: 120V/60, 60Hz, 1.5 Amps.</p> <p>EGANS FARE - ÉTICHELLE If other equipment on this burner system is present, EGANS follows the instructions of installation accompanying it.</p> <p>REPLACEMENT FAN KIT: L'ensemble de ventilateur (partie # R1202) doit être utilisé conformément aux instructions d'installation accompagnant le produit.</p> <p>AVERTISSEMENT: Une attention soignée doit être accordée à l'installation, à l'entretien, au réglage et au nettoyage pour éviter des blessures et des dommages matériels. Voir le manuel d'installation et d'entretien fourni avec cet appareil. Pour de l'aide ou de l'information supplémentaire, consultez un installateur qualifié, un agent de service ou le fournisseur de gaz. N'utilisez aucun type de gaz autre que celui qui est spécifié.</p> <p>UTILISATION UNIQUEMENT AVEC LES PORTES EN VERRE CERTIFIÉES AVEC VENTILATEUR.</p> <p>AVERTISSEMENT: Si d'autres équipements sont présents sur ce brûleur, EGANS suit les instructions d'installation accompagnant le produit.</p> <p>REPLACEMENT FAN KIT: L'ensemble de ventilateur (partie # R1202) doit être utilisé conformément aux instructions d'installation accompagnant le produit.</p> <p>AVERTISSEMENT: Une attention soignée doit être accordée à l'installation, à l'entretien, au réglage et au nettoyage pour éviter des blessures et des dommages matériels. Voir le manuel d'installation et d'entretien fourni avec cet appareil. Pour de l'aide ou de l'information supplémentaire, consultez un installateur qualifié, un agent de service ou le fournisseur de gaz. N'utilisez aucun type de gaz autre que celui qui est spécifié.</p> <p>UTILISATION UNIQUEMENT AVEC LES PORTES EN VERRE CERTIFIÉES AVEC VENTILATEUR.</p>	
FOYER ENCASTRABLE À GAZ À SÉRIATION	
UTILISER UN AIGUILLON COMBUSTIBLE SOLIDE. CET APPAREIL EST ÉQUIPÉ POUR FONCTIONNER AU GAZ NATUREL.	
<p>ATTENTION: Une attention soignée doit être accordée à l'installation, à l'entretien, au réglage et au nettoyage pour éviter des blessures et des dommages matériels. Voir le manuel d'installation et d'entretien fourni avec cet appareil. Pour de l'aide ou de l'information supplémentaire, consultez un installateur qualifié, un agent de service ou le fournisseur de gaz. N'utilisez aucun type de gaz autre que celui qui est spécifié.</p> <p>UTILISATION UNIQUEMENT AVEC LES PORTES EN VERRE CERTIFIÉES AVEC VENTILATEUR.</p>	
EGANS FARE - ÉTICHELLE	
REPLACEMENT FAN KIT:	
AVERTISSEMENT:	
UTILISATION UNIQUEMENT AVEC LES PORTES EN VERRE CERTIFIÉES AVEC VENTILATEUR.	
AVERTISSEMENT:	
UTILISATION UNIQUEMENT AVEC LES PORTES EN VERRE CERTIFIÉES AVEC VENTILATEUR.	

What Happens When First Lit?

There is a curing period. This can include a small amount of smoke and odor. This is normal. Curing steps include:

Step 1: Expelling Initial Smoke and Odors

- Complete the installation of any surround, front, doors, or safety screen.
- Turn on in the Manual (Off) thermostat mode.
- Set the flame height to Hi.
- Set the fan speed control to Level 2.
- Run with these settings for a minimum of 3 hours. Then turn off and let it cool.

▲ CAUTION:

IT IS IMPORTANT THAT THE BLOWERS ARE ON DURING THIS STEP TO PREVENT THE CURING SMOKE FROM STAINING THE SURROUNDING WALL FINISH. COMPLETE STEP 1 PRIOR TO INSTALLATION OF WALL FINISH MATERIALS. VISIBLE SMOKE AND ODOR IS EXPECTED DURING THIS STEP. IF DESIRED, DISABLE SMOKE ALARMS BEFORE THIS STEP. SMOKE FROM THE INITIAL CURE MAY SET OFF SMOKE ALARMS. OPEN DOORS AND WINDOWS TO CIRCULATE FRESH AIR.

Step 2: High Heat Curing Cycle

- Turn on in the Manual (Off) thermostat mode.
- Set the flame height to Hi.
- Set the fan speed control to Off.
- Run it with these settings for 8 continuous hours or until curing odors have diminished.
- When odors have diminished, leave on and continue below.
- Set the fan speed control to Level 1.
- If any new curing odors are detected, continue to run this setting until the curing odors have diminished.

▲ CAUTION:

SLIGHT ODORS MAY STILL BE NOTICEABLE ON FUTURE STARTUPS. THESE WILL DIMINISH OVER TIME WITH FURTHER USE.

ADDITIONAL CURING INFORMATION

It is not unusual to require more than 10 continuous hours on high for curing odors to diminish. There are variables that can extend or shorten the curing time, such as decorative fronts, doors, facing materials, and their applications.

It is normal for surrounding surfaces to be too hot to touch. Provided that all clearances and R-value requirements in the installation manual have been met, this is not a safety concern. Be aware that any material used around the appliance will heat up and has the potential to cause odor issues. Adhesives, glue, wall substrate, wall finish material, paints, and polishes are common materials that if used incorrectly will cause odor issues. Breckwell is not responsible for any odor issues caused by materials used. If you have any additional questions or concerns, contact your authorized dealer or email www.breckwell.com.

CAN I OPERATE DURING POWER OUTAGES?

This electronic ignition system uses the supplied 120VAC power when it is available for all functions of this system. If you experience a power outage, insert 4 AA batteries into battery pack located in the ignition module box. During the power outage, the burner will function as well as the flame height adjustment. The fan, which is dependent on 120VAC power, will not function. Your installer should demonstrate the backup DC power pack during power outages. Be sure to retain the DC battery pack and the connecting harness in a safe and secure place for use during power outages.

WHAT IS THE REQUIRED ANNUAL MAINTENANCE?

NOTE: Any adjustments to burner, pilot, or logs must be done by a qualified authorized service person. The following procedures must be performed each year by a qualified service person. Recommended steps for yearly maintenance:

4. Remove logs and coals and clean away any foreign matter (lint, carbon, etc.) on the burner and logs. Be sure the burner ports are "open". Clean the pilot and under side of the logs for any carbon deposits. Logs should be visually checked for carbon buildup. If carbon deposits are visible on logs, turned off and contact an authorized service person. Be sure logs are re-installed per instructions.
5. Clean all lint and dust build-up around the control. Inspect the condition of any wiring under the burner for melting or damage. Clean flame sensor rod/hook using emery cloth. Vacuum all burner ports and pilot assembly.
6. Check condition of glass door gasket, the gasket must seal tightly over firebox, Inspect gasket along top and sides of glass. If gasket at corners of glass are bulging outward or if gasket bulb along top edge or sides are discolored to a white color appearance through the whole thickness of the gasket bulb, then replace the gasket. White colored gasket bulb indicates

exhaust leak through the discolored area and requires replacement of the glass gasket.

⚠ CAUTION:

DO NOT USE OVEN CLEANER OR AMMONIA-BASED PRODUCTS TO CLEAN GLASS. CLEAN THE GLASS ONLY WHEN IT HAS COOLED TO ROOM TEMPERATURE.

HOW DO I CLEAN THE GLASS?

⚠ CAUTION:

ADDITIVES THAT ARE PUT IN GAS (BOTH NATURAL AND LP) TO MAKE IT SMELL CAN LEAVE A RESIDUE ON THE GLASS THAT LOOKS LIKE A WHITE FILM DEPOSIT. THIS DEPOSIT CAN BE REMOVED WITH CLEANERS SUCH AS KEL KEM "POLISH PLUS" OR COMPARABLE PRODUCT. CONTACT YOUR AUTHORIZED DEALER FOR MORE INFORMATION.

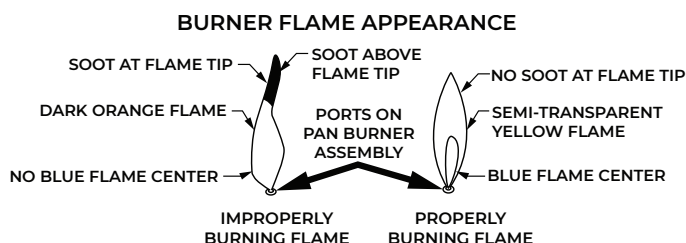
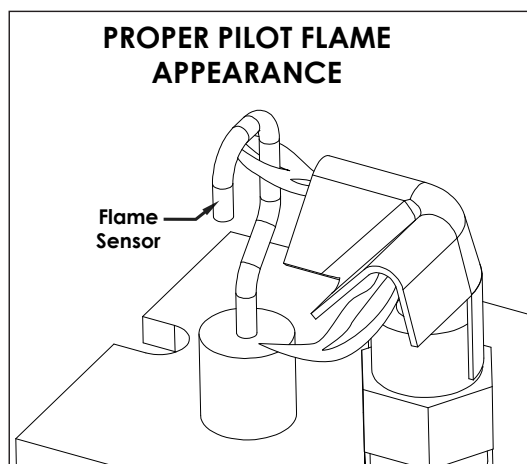
The glass should be cleaned periodically. To clean glass surface, use a soft cloth and a non-abrasive glass cleaner. Your dealer should carry a Fireplace Glass Cleaner. Do not use oven cleaner or abrasive cleaners to clean glass. DO NOT clean when the glass is hot.

IS MY FLAME APPEARANCE CORRECT?

There are air shutters and media that can be adjusted depending on your fuel and venting configuration. These adjustments should be made by a qualified technician to achieve the best flame appearance. Contact your installer or authorized dealer if you feel it is not burning correctly. Improper setup and adjustment is not covered under warranty. Follow these steps for periodic inspections:

1. Check to verify that the vent system and vent cap are open and free of blockage.
2. The glass should be cleaned periodically (see the "How Do I Clean The Glass?" section of this manual).
3. Before re-installing glass, have qualified service person check the operation of the pilot and cycle the burner per lighting instructions. Be sure all items in lighting and installation checklists are completed.
4. Periodic visual check of pilot flames is required. Pilot flame must overlap flame sensor and burner ignition ports always. Especially for LP gas applications, always verify visible pilot flame length is at least 1" long.
5. Periodic visual check of the burner flame is required.

Flame Characteristic	Cause	Solution
Dark, orange flame with black tips	Air Shutter closed too far	Open venturi slightly
Short, blue flames	Air Shutter open too far	Close setting slightly
Lifting (ghosting) flames	Gas pressure too high Air Shutter closed too far	Check manometer settings Open Air Shutter setting slightly



WHAT SHOULD I DO IF SOOTING OCCURS?

Sooting is caused by improper installation or air shutter operation. However, some small areas of soot deposits on log surfaces are deemed acceptable. If you observe large soot areas (larger than 1"x1") on log surfaces or signs of sooting on the door glass (usually a thin black film on the viewing glass or on the outside of the home around the vent cap), turned off immediately and the local authorized dealer promptly informed. Authorized dealers will correct "sooting" problems, but they are not responsible for damage caused by excessive sooting that has not been immediately brought to their attention.

Troubleshooting Soot
Issue
Thin black coating (soot) forms on viewing glass
Possible Causes
<ul style="list-style-type: none"> • Incorrect gas pressure • Not enough combustion air • Leaking glass gasket • Vent obstruction
Corrective Action
<ul style="list-style-type: none"> • Have gas supplier check for correct gas inlet pressure (7" WC nat. gas; 11" WC LP gas). Check the glass gasket for proper seal. Corners of glass gaskets cannot be bulging out. If glass gasket along the top edge in the middle is white in color across entire thickness of gasket bulb, replace glass gasket. • If sooting continues, open air shutter on burner. If sooting continues, shut off and call an authorized service person.

HOW DO I CHANGE FROM °C TO °F ON MY REMOTE?

To change between °C to °F, follow these steps:

1. Press the ON/OFF button and turn off.
2. Simultaneously, press both the mode button and the thermostat button.
3. Look at the LCD display to verify that your desired indicator (°F or °C) is being displayed. If not, repeat Step 2.

HOW DO I SET THE CHILD-LOCK MODE?

To prevent unsupervised children from operating, a child-lock function is provided with this remote-control system. To activate the child-lock function: Simultaneously press the "MODE button" and the "UP button". To deactivate the child-lock function: Simultaneously press the "MODE button" and the "UP button". During the child-lock mode, none of the remote-control buttons will function. You must deactivate the child-lock function before you can use the remote control.

WHEN SHOULD I CHANGE THE BATTERIES IN MY REMOTE?

When the remote-control batteries are low, a battery icon will appear on the LCD display of the remote control before all battery power is lost. When the batteries are replaced, this icon will disappear.

WHY DID MY THERMOSTAT DISAPPEAR FROM

MY REMOTE?

When reinstalling batteries, the thermostat may have been pressed while the batteries were changed. To make your thermostat reappear, follow these steps:

1. Remove one battery.
2. Press and hold the thermostat button on the remote.
3. Reinstall the battery while holding the thermostat button down.
4. If you see "set", the thermostat button is now enabled.
5. If you see "clear", the thermostat button is disabled.
6. Repeat this procedure if you did not see "set" or "clear" to add/remove the thermostat option.

WHY WON'T IT TURN ON?

If your remote control is working, but your appliance won't turn on, it may be in "lockout" mode. To reset a lockout follow these steps:

1. Turn off remote.
2. Turn on remote and wait 2 seconds.
3. Turn off remote and wait 2 seconds.
4. Turn on remote and wait 2 seconds.
5. Turn off remote.

This should clear the lockout mode. Turn on the remote and start the appliance. Ensure the master switch is in the "ON" position. If the lockout mode is still on, follow these steps:

1. Turn off the remote.
2. If you see the snowflake icon, press the Mode button and toggle it to IPI mode.
3. Shut off AC power to the ignition control module (shut off breaker).
4. Toggle master switch to off. Wait 30 seconds.
5. Turn on AC power by turning on breaker.
6. Turn on remote, then turn off remote.
7. Toggle master switch back on.
8. Press Mode button on remote. Select CPI mode to reignite the pilot. After pilot lights, turn on your remote to ignite.

After completing these steps, contact your authorized dealer if it won't turn on.

PRESSURE TESTING

NOTE: The fireplace and its main gas valve must be disconnected from the gas supply piping system during any pressure testing of the system at test pressures in excess of 1/2 psi (3.5 kPa).

⚠ CAUTION:

PRESSURE CHECK TAPS FOR MANIFOLD (OUTGOING) AND INLET (INCOMING) PRESSURE HAVE BEEN INCORPORATED INTO THE VALVE. THE PRESSURE TAP MARKED OUT MEASURES OUTGOING PRESSURE. THE PRESSURE TAP MARKED IN MEASURES INCOMING PRESSURE.

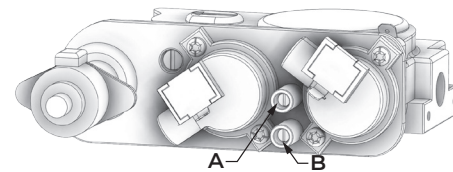
INLET PRESSURE TEST

NOTE: Make sure to apply these incoming pressure test with all other gas fireplaces on, or at full capacity in the house for proper pressure reading.

⚠ CAUTION:

IF THE INLET PRESSURE READING IS TOO HIGH OR TOO LOW, CONTACT THE GAS COMPANY. ONLY A QUALIFIED GAS SERVICE TECHNICIAN SHOULD ADJUST INCOMING GAS PRESSURE.

1. Loosen the inlet (IN) pressure tap by turning screw counterclockwise. See (A).



2. Attach manometer using a 1/4" (6 mm) I.D. hose. Light pilot and burner. Check pressure to ensure it is between the minimum and maximum recommended pressure settings.
3. Turn off burner and pilot.
4. Disconnect hose and tighten the inlet (IN) pressure tap by turning screw clockwise. Screw should be snug. Do not over tighten.
5. Relight pilot and burner. Then reattach manometer to the inlet pressure tap (A) to verify the tap is completely sealed. Manometer should read no pressure.

MANIFOLD PRESSURE TEST

1. Light pilot.
2. Loosen manifold (OUT) pressure tap by turning screw counter-clockwise (see (B)).
3. Attach manometer to pressure tap using a 1/4" (6 mm) I.D. hose.
4. Light burner. Check manometer reading.
5. Turn burner and pilot off.

- Disconnect manometer hose and tighten the manifold (OUT) pressure tap by turning screw clockwise. Screw should be snug. Do not over tighten.
- Attach the manometer to the manifold pressure tap (B) to verify it is completely sealed. The manometer should read no pressure when pilot and burner are on.

Inlet Pressure Tap (A)			
		Natural	Propane (LP)
Gas Supply	MIN	5.0" WC (1.25 kPa)	12" WC (2.74 kPa)
	MAX	10.5" WC (2.61 kPa)	14" WC (3.49 kPa)

Manifold Pressure Tap (B)			
		Natural	Propane (LP)
Gas Supply	Normal	3.8" WC (0.95 kPa)	11.0" WC (2.74 kPa)

BURNER FLAME ADJUSTMENTS

⚠ WARNING::

- TO AVOID PROPERTY DAMAGE OR PERSONAL INJURY, ALLOW AMPLE TIME TO COOL BEFORE MAKING ANY ADJUSTMENTS.
- VENTURI ADJUSTMENT MUST BE DONE BY A QUALIFIED SERVICE TECHNICIAN.

Burner flame appearance and characteristics are affected by altitude, fuel quality, venting configuration, and other factors. After installation, additional adjustments may be required to achieve optimum flame appearance and visual aesthetics.

GAS FLAME ADJUSTMENT

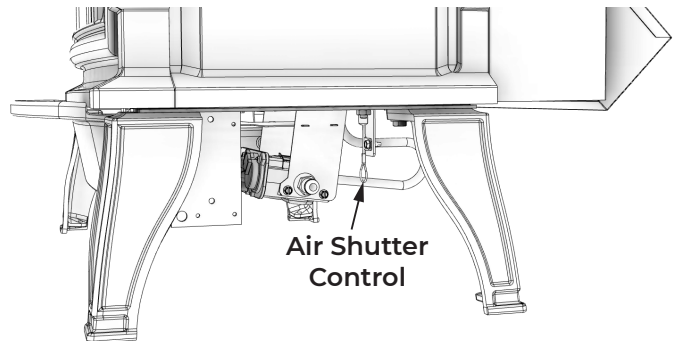
During the initial installation, the air shutter opening should be checked to be certain that the shutter is set correctly as specified below. Adjustments should only be made by a qualified installer. NOTE: For altitudes above 5,000 ft., some variations may be required.

Be sure burner and logs are properly installed. After burner has been properly installed and operated for 2-3 hours, small additional adjustments to the air shutter may be necessary for final flame appearance. These small shutter adjustments can be made by the following procedure. NOTE: Very small changes in shutter settings make major changes in flame appearance.

- The air shutter control is located below the cover panel at the right center of the appliance next to the valve assembly.
- If flame is too "blue," push the air shutter control in (open) in small 1/8" increments until flame turns desired realistic "orange" color.
- If flame is too "orange" or is causing sooting on viewing glass, pull the air shutter control out (close) in approximately 1/8" increments until sooting stops.

⚠ CAUTION:

TRY EACH NEW SHUTTER SETTING APPROXIMATELY 1 HOUR BEFORE MAKING ADDITIONAL CHANGES. CHANGES IN BURNER FLAME CAN BE MADE BY RE-ARRANGING THE MEDIA.



Factory Set Venturi Openings	
Fuel	Air Shutter Opening
Natural Gas	Closed
LP Gas	Closed

⚠ CAUTION: INSTALLATION AND REPAIR SHALL ONLY BE DONE BY A QUALIFIED SERVICE PERSON. THE FIREPLACE SHOULD BE INSPECTED BEFORE USE BY A QUALIFIED SERVICE PERSON. IT IS REQUIRED TO BE INSPECTED AT LEAST ONCE A YEAR BY A PROFESSIONAL SERVICE PERSON.

Before proceeding with the steps in the following troubleshooting guide:

- Verify proper 120VAC power supply to the control module.
- Verify the control module battery pack and the remote control batteries are fresh and installed with correct polarity.
- Verify all connections between the wire harnesses and the system components are proper and positive.
- Verify the communication link is established between the remote control and the ignition module.
- Verify inlet pressure meets the recommended inlet pressure. If necessary, adjust line pressure regulator.

Issue	Cause	Solution
Pilot will not light	Electrical power interrupted or disconnected	Restore electrical power to appliance or use battery back-up.
	Wiring disconnection	Ensure batteries are fully charged if using battery back-up as power source. Use wiring schematic in this manual to determine that all wiring connections are secure and correct.
	Gas supply turned off	Check remote shut-off valves from the appliance. Usually there is a valve near the main gas line. There may be more than (1) valve between the appliance and main gas line.
Pilot will not stay lit	No LP (propane) gas in tank	Check LP (propane tank). Refill if necessary.
	Low gas pressure	Consult a plumber or a gas supplier. Can be caused by situations such as a bent line, too narrow diameter or pipe, or a low line pressure.
	Pilot flame not making contact with the flame rectification sensor on the pilot assembly	Verify the pilot flame envelopes the top of the flame sensor and extends far enough onto burner for ignition. To adjust pilot flame, turn pilot adjustment screw on the gas valve clockwise to decrease flame, and counterclockwise to increase flame.
	Pilot adjustment screw not sealed	Seal pilot adjustment screw. Do not over-tighten.
Pilot flame always on, or will not extinguish	Control system set to CPI mode	Set control system to IPI mode.
Flame burns blue and lifts off burner	Improper venturi setting	Venturi air shutter may need to be opened slightly to allow more air into the gas mix. Refer to Burner Venturi section.
	Incorrect vent cap installation	Adjust if necessary.
	Blockage or leakage of the vent system	Check the vent pipes for leaks, and the vent cap for debris. Repair the vent pipes or remove debris from vent cap, if necessary.

Main burner flame will not light	ON/OFF rocker switch in OFF position	Gas supply turned off Check
	Gas supply turned off	Check for multiple shut-offs in the supply line. Verify gas supply is turned on.
	Low gas supply	Consult with plumber or gas supplier. Check LP (propane) tank. Refill if necessary.
	Wiring disconnection or improper wiring	Check for faulty or incorrect wiring.
	Plugged main burner orifice	Remove blockage.
	Pilot flame	Verify the pilot flame is properly directed to ignite burner. See pilot flame troubleshooting above.
	Remote control not working properly	Replace batteries.
	No call for heat	Verify remote control is powered ON and thermostat operation is turned OFF.
Pilot and burner extinguish while in operation	No LP (propane) gas in tank	Check LP (propane) tank. Refill if necessary.
	Incorrect glass assembly installation	Refer to Glass Frame Assembly Section
	Incorrect vent cap installation	Adjust if necessary.
	Vent cap blockage	Remove debris if necessary.
	Improper pitch on horizontal venting	1/4" (6 mm) rise per foot (30 cm) is required on horizontal venting
	Exhaust vent pipe leaking exhaust gases back into firebox	Check for leaks and repair if necessary.
	Excessive draft	A restrictor may need to be installed or modified. Refer to Restrictor Section.
Soot appears on glass	Improper log placement	Refer to Log Set Installation section.
	Improper venturi setting	Venturi air shutter may need to be opened slightly to allow more air into the gas mix. Refer to Burner Venturi section.
	Incorrect vent cap installation	Adjust if necessary.
	Vent cap blockage	Remove debris if necessary.
No reaction to command	Battery back batteries or remote control batteries low	Replace batteries.
	No communication between remote control and ignition module	Reprogram remote control to the ignition module.
	A maximum number of failed ignitions or flame restorations has been reached	Reset ignition module.

⚠ WARNING:

THE FIREPLACE AREA MUST BE KEPT CLEAR AND FREE FROM COMBUSTIBLE MATERIALS, GASOLINE AND OTHER FLAMMABLE VAPORS AND LIQUIDS.

BURNER AND PILOT SYSTEM

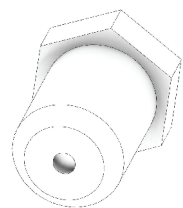
The burner assembly may be removed for easier access to the control compartment.

Performed by: Qualified Service Person

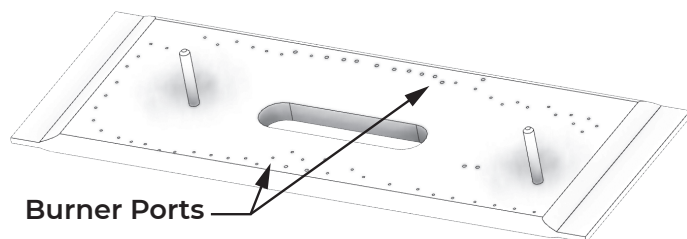
Frequency: Annually

Action:

- Vacuum all components of the burner system.
- Visually check burner ports for blockage, especially near the pilot.
- Visually check pilot light and burner flame pattern when in operation. Flames should be steady, not lifting or floating.



Burner Orifice



Burner Ports

FAN

⚠ CAUTION:

LABEL ALL WIRES PRIOR TO DISCONNECTION WHEN SERVICING CONTROLS. WIRING ERRORS CAN CAUSE IMPROPER AND DANGEROUS OPERATION. VERIFY PROPER OPERATION AFTER SERVICING.

Performed by: Qualified Service Person

Frequency: Annually

Action:

- Disconnect the fans from electrical current and vacuum.
- The bearings are sealed and require no oiling.

VENT SYSTEM

NOTE: If the vent-air intake system is disassembled for any reason, reinstall per instructions provided with installation (see Installation section).

Performed by: Qualified Service Person

Frequency: Annually

Action:

- Examination of the vent system is required.
- The flow of combustion and ventilation air must not be obstructed.

ELECTRICAL SPECIFICATIONS

This appliance, when installed, must be electrically grounded in accordance with local codes, or in the absence of local codes, with the National Electrical Code, ANSI/NFPA 70, or the Canadian Electrical Code, CSA C22.1.

WIRING REQUIREMENTS

The Ignition Module requires 120V of electricity and/or batteries to operate.

Using the battery back-up will operate the burner only.

Optional fan component will not function on battery back up power.

⚠ WARNING:

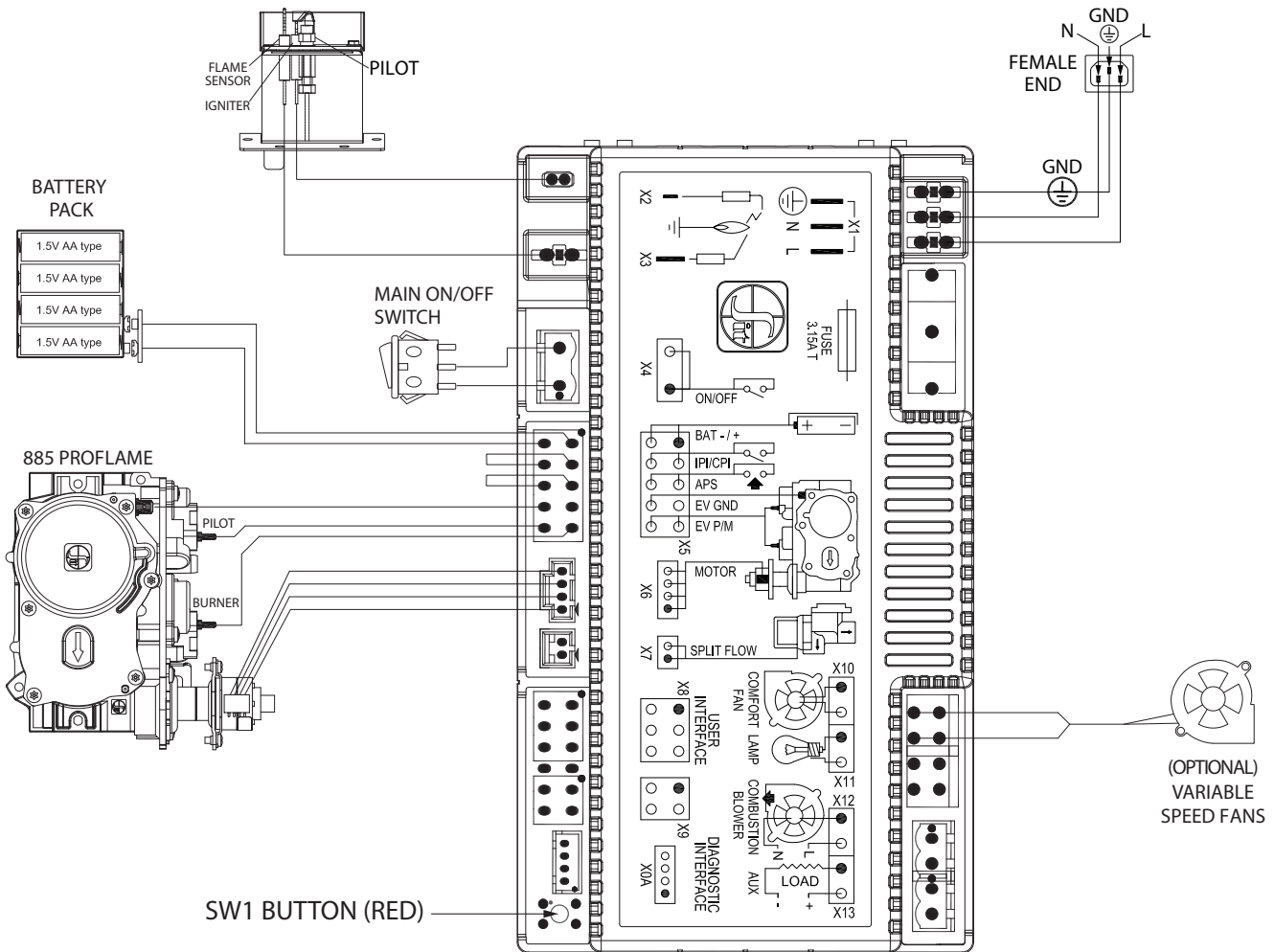
ELECTRICAL GROUNDING INSTRUCTIONS: THIS APPLIANCE IS EQUIPPED WITH A THREE-PRONG (GROUNDING) PLUG FOR YOUR PROTECTION AGAINST SHOCK HAZARD AND SHOULD BE PLUGGED DIRECTLY INTO A PROPERLY GROUNDED THREE-PRONG RECEPTACLE. DO NOT CUT OR REMOVE THE GROUNDING PRONG FROM THIS PLUG.

⚠ WARNING:

ELECTRICAL CONNECTIONS SHOULD ONLY BE PERFORMED BY A QUALIFIED, LICENSED ELECTRICIAN. MAIN POWER MUST BE OFF WHEN CONNECTING TO MAIN ELECTRICAL POWER SUPPLY OR PERFORMING SERVICE. ALL WIRING SHALL BE IN COMPLIANCE WITH ALL LOCAL, CITY AND STATE CODES. THE APPLIANCE, WHEN INSTALLED, MUST BE ELECTRICALLY GROUNDED IN ACCORDANCE WITH LOCAL CODES OR IN THE ABSENCE OF LOCAL CODES, WITH THE NATIONAL ELECTRICAL CODE ANSI/NFPA 70 (LATEST EDITION) AND CANADIAN ELECTRICAL CODE, CSA C22.1.

⚠ WARNING:

DO NOT USE THIS UNIT IF ANY PART HAS BEEN UNDER WATER. IMMEDIATELY CALL A QUALIFIED SERVICE TECHNICIAN TO INSPECT THIS APPLIANCE AND TO REPLACE ANY PART OF THE CONTROL SYSTEM AND ANY GAS CONTROL WHICH HAS BEEN UNDER WATER.



OVER FIRING OF BURNER

Never “over fire” adjusting gas pressure or drilling out the orifice to increase Btu/hr above nameplate specifications. Over firing can cause permanent damage to firebox and deterioration of parts and void warranty.

MAINTAINING CORRECT PILOT-FLAME

The pilot flame must be checked during initial installation and annually by a qualified technician. This appliance uses flame rectification technology. If the pilot flame is turned down too low, the flame sensor may not detect the pilot flame and the pilot may not stay lit. Do not turn down the pilot flame. The flame sensor rod may be coated with debris after a few months of use. It is important to clean the flame sensor rod using emery cloth if flame rectification problems are encountered after use for a few months. Environmental factors beyond the control of USSC can cause flame rectification concerns.

HOW TO ACCESS COMPONENTS

The descriptions below show where the main components are located and how to access them for service. The descriptions show how to access the components after the installation. All components are also accessible from the outside of the appliance before the it is installed.

Pilot: The pilot is in the back left corner of the firebox behind the burner.

Gas Valve: The main gas valve is located in the bottom cavity of the firebox.

Ignition Control Module: The ignition control module is installed in a box with an ON/OFF switch. It is mounted in the lower cavity to the left of the gas valve.

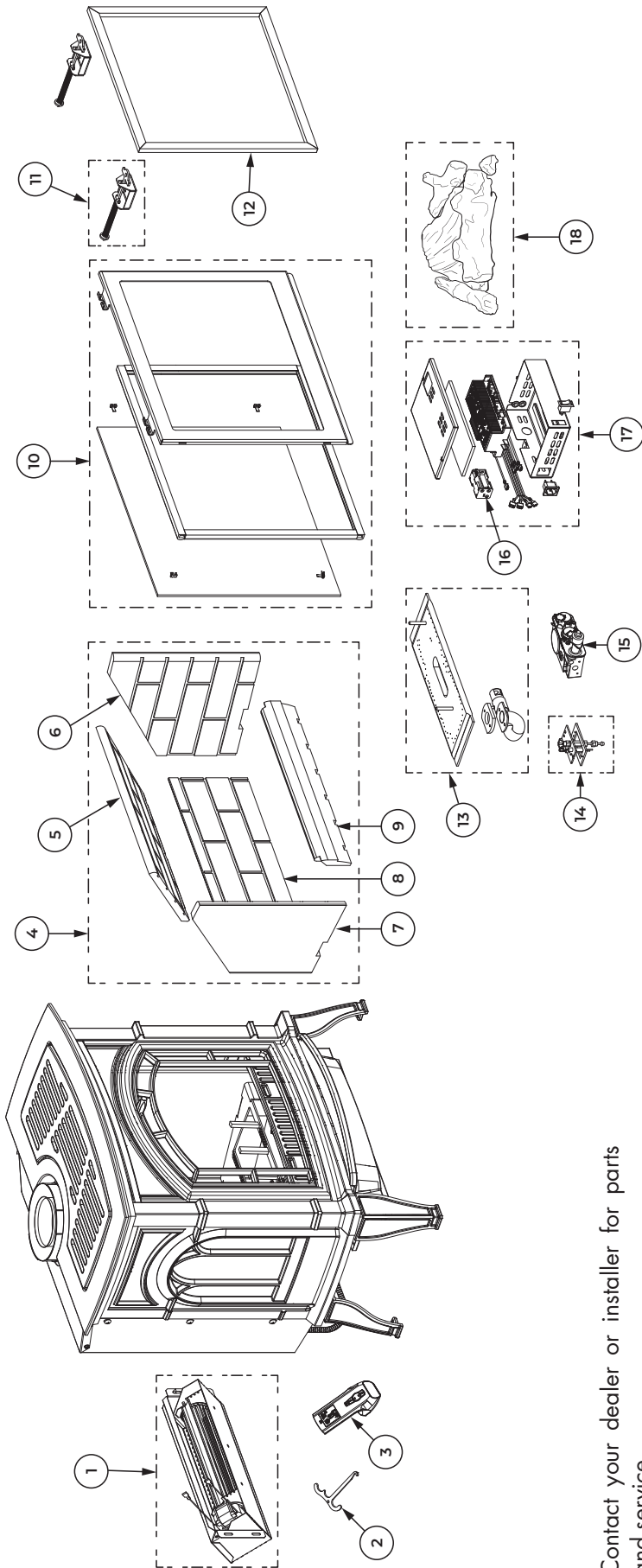
Convection Blower: The convection blower is mounted on the rear of the unit.

HOW TO ORDER REPAIR PARTS

CONTACT YOUR DEALER OR INSTALLER FOR PARTS AND SERVICE

The information in this owner’s manual is specific to your unit. When ordering replacement parts the information in this manual will help to ensure the correct items are ordered. Before contacting customer service write down the model number and the serial number of this unit. That information can be found on the certification label attached to the back of the unit. Other information that may be needed would be the part number and part description of the item(s) in question. Part numbers and descriptions can be found in the “Repair Parts” section of this manual. Once this information has been gathered you can contact your Breckwell dealer or visit www.Breckwell.com

Model Information			
Model Number		Dealer’s Name	
Serial Number		Dealer’s Phone Number	

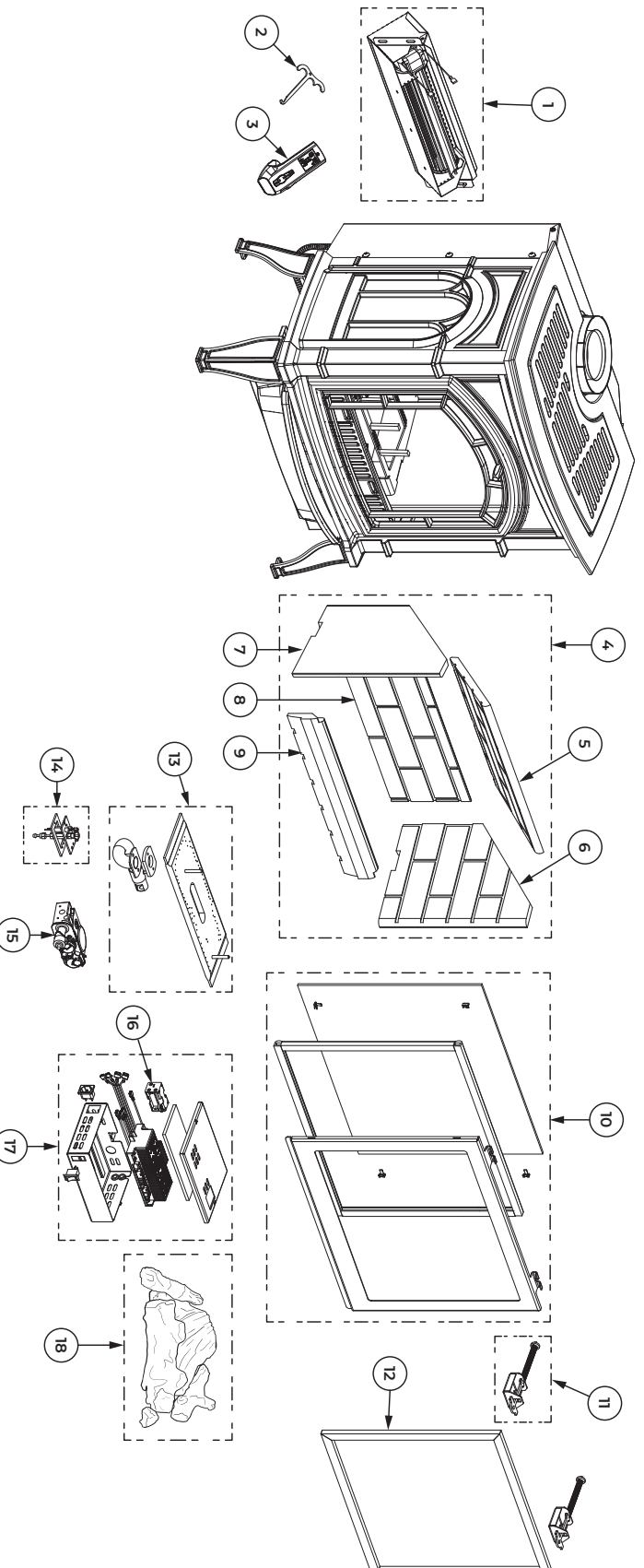


Contact your dealer or installer for parts and service.

Key	Part#	Description	Qty
1	611071	Blower Assembly	1
2	893499B	Latch Tool	1
3	80762	Sit Transmitter (Remote)	1
4	893488	Brick Panel Kit	1
5	893346	Top Panel	1
6	893343	Right Panel	1
7	893344	Left Panel	1
8	893345	Back Panel	1
9	893452	Ember Bed	1
10	611070	Glass Door Assembly	1
11	611061	Glass Latch Assembly	2

12	893242	Screen Assembly	1
13	611068	Burner Assembly	1
14	611069	Gas Pilot Kit	1
15	* 81287	885 Sit Proflame Valve W/ Stepper Motor	1
16	80761	Battery Box	1
17	611062	Control Module Kit	1
18	893489	Log Set	1
19	892930	Ember Wool (Not shown)	1 cup
* CONSULT A CERTIFIED TECHNICIAN OR CONTACT CUSTOMER SERVICE REGARDING FUEL TYPE (LP OR NATURAL)			

▲ WARNING: FAILURE TO POSITION THE PARTS IN ACCORDANCE WITH THESE DIAGRAMS OR FAILURE TO USE ONLY PARTS SPECIFICALLY APPROVED WITH THIS APPLIANCE MAY RESULT IN PROPERTY DAMAGE OR PERSONAL INJURY.



Contactez un revendeur agréé pour obtenir l'une de ces pièces. N'utilisez jamais de matériaux de substitution. L'utilisation de pièces non approuvées peut entraîner des performances et une sécurité médiocres.

Clé	Pièce	Description	Qté
1	611071	Assemblage du ventilateur	1
2	893499B	Loquets	1
3	80762	Transmetteur SIT (à distance)	1
4	893488	Retirez le panneau de brique supérieur.	1
5	893346	Panneau supérieur	1
6	893343	Panneau droit	1
7	893344	Panneau gauche	1
8	893345	Panneau arrière	1
9	893452	Lit de braises	1
10	611070	Assemblage de la porte en verre	1

11	611061	Ensemble de loquet en verre	2
12	893242	Assemblage d'écran	1
13	611068	Assemblage du brûleur	1
14	611069	Kit pilote de gaz	1
15	* 81287	Vanne 885 Sit Proflame avec moteur pas à pas	1
16	80761	Boîte De Piles	1
17	611062	Module de commande	1
18	893489	Simili-bûches	1
19	892930	Laine de braise (non illustrée)	1 tasse

* CONSULTEZ UN TECHNICIEN CERTIFIÉ OU CONTACTEZ LE SERVICE À LA CLIENTÈLE CONCERNANT LE TYPE DE CARBURANT (GPL OU NATUREL)

AVERTISSEMENT : SI LES PIÈCES NE SONT PAS POSITIONNÉES COMME L'AFFICHENT LES DIAGRAMMES, OU SI DES PIÈCES AUTRES QUE CELLES APPROUVÉES POUR CET APPAREIL SONT UTILISÉES, DES BLESSURES CORPORELLES OU DES DOMMAGES MATÉRIELS PEUVENT SURVENIR.

SURCHAUFFE DU BRÛLEUR

Ne jamais ajuster la pression de gaz en « surchauffe » ou percer l'orifice pour augmenter les BTU/h au-delà des spécifications. Une surchauffe peut causer des dommages permanents à la boîte à combustion et détériorer des pièces, et annuler la garantie.

MAINTENIR LA BONNE FLAMME DE LA VEILLEUSE

La flamme de la veilleuse doit être vérifiée par un technicien qualifié au cours de l'installation initiale et chaque année par la suite. Ce foyer utilise une technologie de rectification de la flamme. Si la veilleuse est tournée trop bas vers le bas, le détecteur de flamme ne déclenche pas la flamme de la veilleuse et la veilleuse ne pourra pas rester allumée. N'abaissez pas la flamme de la veilleuse. La tige du détecteur de flamme peut être recouverte de débris après quelques mois d'utilisation. Il est important de nettoyer la tige de détecteur de flamme à l'aide de toile émeri en cas de dysfonctionnement de la flamme après quelques mois d'utilisation. Des facteurs environnementaux hors du contrôle d'Acadia peuvent provoquer un dysfonctionnement de la flamme.

COMMENT ACCÉDER AUX COMPOSANTS

Les descriptions ci-dessous indiquent où se trouvent les principaux composants et comment y accéder pour l'entretien. Les descriptions montrent comment accéder aux composants après l'installation. Tous les composants sont également accessibles depuis l'extérieur du foyer avant l'installation.

Veilleuse : La veilleuse se trouve dans le coin arrière gauche de la boîte à combustion, derrière le brûleur.

Vanne de gaz : La vanne de gaz principale se trouve dans la cavité inférieure de la boîte à combustion.

Module de commande de l'allumage : Le module de commande d'allumage est installé dans une boîte sur le plancher et munit d'un interrupteur ON/OFF. Le module de commande de l'allumage est monté dans la cavité inférieure à l'avant de la vanne de gaz.

Ventilateur de convection : Le ventilateur de convection est monté sur la paroi arrière de la boîte à combustion, derrière le module de commande.

COMMENT COMMANDER DES PIÈCES DE RÉPARATION

CONTACTEZ VOTRE REVENDEUR OU INSTALLATEUR POUR LES PIÈCES ET LE SERVICE

Les informations contenues dans ce manuel du propriétaire sont spécifiques à votre appareil. Lors de la commande de pièces de rechange, les informations contenues dans ce manuel vous aideront à vous assurer que les bons articles sont commandés. Avant de contacter le service client, notez le numéro de modèle et le numéro de série de cet appareil. Ces informations se trouvent sur l'étiquette de certification apposée à l'arrière de l'appareil. D'autres informations qui peuvent être nécessaires sont le numéro de pièce et la description de la pièce (s) en question. Les numéros de pièces et les descriptions se trouvent dans la section « Pièces de réparation » de ce manuel. Une fois ces informations recueillies, vous pouvez contacter votre revendeur Breckwell ou visiter www.Breckwell.com.

Informations sur le modèle		
Numéro de modèle	Nom du revendeur	Numéro de série
		Numéro de téléphone du concessionnaire

INSTALLATION ÉLECTRIQUE

PARTICULARITÉS ÉLECTRIQUES

Après installation, cet appareil doit être mis à la terre conformément aux codes locaux, ou en l'absence de code, avec le National Electrical Code, ANSI/NFPA 70, ou le Code de l'électricité du Canada, CSA C22.1.

EXIGENCES DE CÂBLAGE

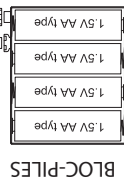
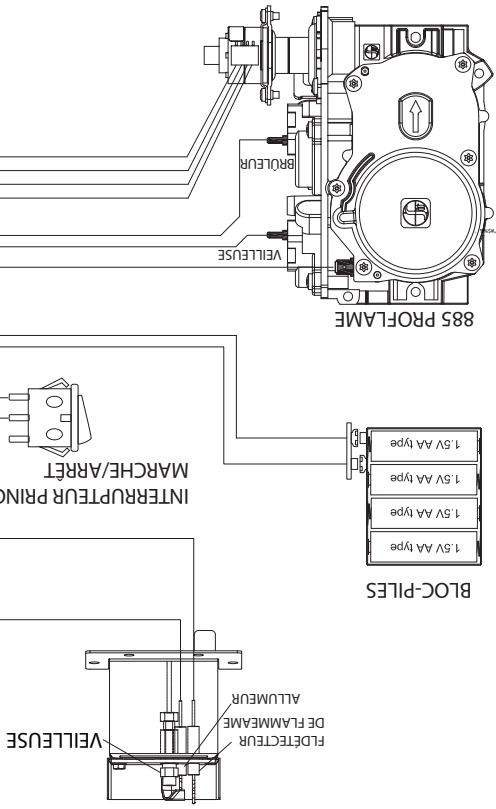
Le module d'allumage nécessite une tension 120 volts d'électricité et/ou de piles pour fonctionner.

La batterie de secours fera fonctionner uniquement le brûleur.

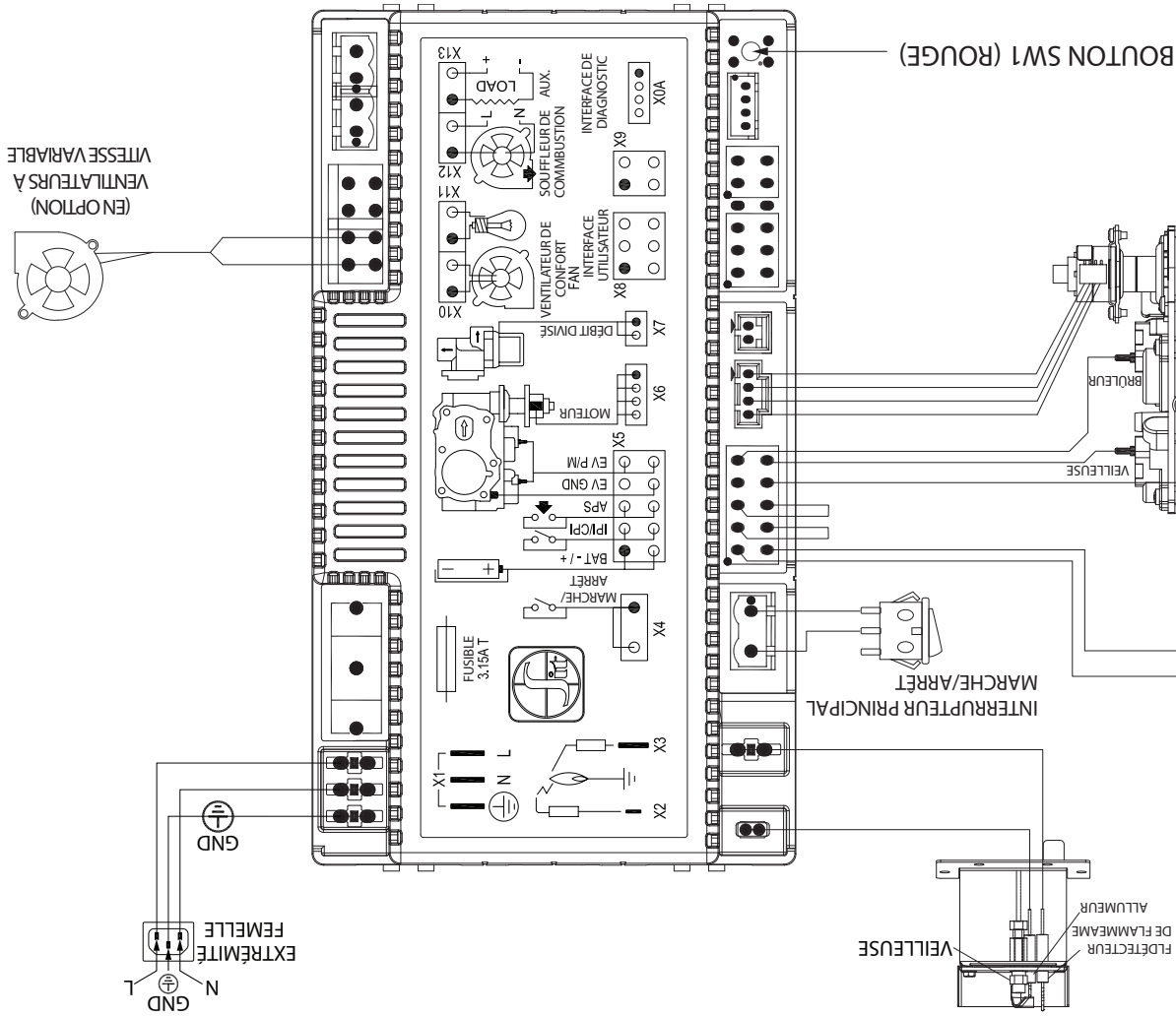
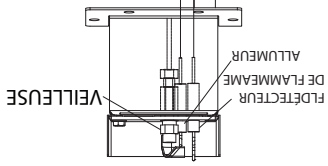
Ventilateur optionnel et les composants lumineux ne fonctionneront pas sur l'alimentation de secours.

⚠ AVERTISSEMENT :

N'UTILISEZ PAS CE Foyer SI L'UN DES COMPOSANTS A ÉTÉ IMMERGÉ DANS L'EAU. COMMUNIQUEZ IMMÉDIATEMENT AVEC UN TECHNICIEN D'ENTRETIEN QUALIFIÉ AFIN QU'IL INSPECTE CET APPAREIL ET QU'IL REMPLACE TOUTE SYSTÈME DE CONTRÔLE OU CONTRÔLE DE GAZ AYANT ÉTÉ IMMERGÉE DANS L'EAU.



INTERROMPTEUR PRINCIPAL



⚠ AVERTISSEMENT :

INSTRUCTIONS DE MISE À LA TERRE : CET APPAREIL EST ÉQUIPÉ D'UNE FICHE À TROIS BROCHES (DE MISE À LA TERRE) POUR VOTRE PROTECTION CONTRE LES RISQUES D'ÉLECTROCUTION ET DOIT ÊTRE BRANCHÉ DIRECTEMENT SUR UNE PRISE À TROIS BROCHES CORRECTEMENT RELIÉE À LA TERRE. NE PAS COUPER OU RETIRER LA BROCHE DE MISE À LA TERRE DE CETTE FICHE.

⚠ AVERTISSEMENT :

LES AJUSTEMENTS DOIVENT ÊTRE RÉALISÉS PAR UN TECHNICIEN QUALIFIÉ. L'ALIMENTATION PRINCIPALE DOIT ÊTRE HORS TENSION LORS DE LA CONNEXION À L'ALIMENTATION ÉLECTRIQUE PRINCIPALE OU DE L'ENTRETIEN. TOUT LE CÂBLAGE DEVA ÊTRE CONFORME À TOUTS LES CODES LOCAUX, DE VILLE ET D'ÉTAT. APRÈS INSTALLATION, CET APPAREIL DOIT ÊTRE MIS À LA TERRE CONFORMÈMENT AUX CODES LOCAUX, OU EN L'ABSENCE DE CODE, AVEC LE NATIONAL ELECTRICAL CODE, ANSI/NFPA 70, OU LE CODE DE L'ÉLECTRICITÉ DU CANADA, CSA C22.1.

VENTILATEUR

⚠ ATTENTION :

ÉTIQUETEZ TOUTS LES FILS AVANT DE DÉCONNECTER LORS DE L'ENTRETIEN DES COMMANDES. LES ERREURS DE CÂBLAGE PEUVENT ENTRAÎNER UN FONCTIONNEMENT INAPPROPRIÉ ET DANGEREUX. VÉRIFIER QUE L'APPAREIL FONCTIONNE BIEN APRÈS L'ENTRETIEN.

Effectué par : Technicien d'entretien qualifié
Fréquence : Annuelle

Action :
 Débranchez les ventilateurs du courant électrique est passez l'aspirateur.

Les roulements sont hermétiques et ne nécessitent aucune lubrification.

Système DE VENTILATION

REMARQUE : Si le système d'admission d'air de l'évent est démonté pour une raison quelconque, réinstaller conformément aux instructions fournies lors de l'installation (voir la rubrique intitulée Installation).

Effectué par : Technicien d'entretien qualifié
Fréquence : Annuelle

Action :
 Un examen du système d'évacuation est nécessaire. N'obstruez en aucune circonstance le flux d'air de combustion et de ventilation.

⚠ AVERTISSEMENT :

LES LIEUX OÙ SE TROUVE LE Foyer DOIVENT ÊTRE EXEMPTS DE MATÉRIAUX COMBUSTIBLES, D'ESSENCE ET AUTRES LIQUIDES OU VAPEURS INFLAMMABLES.

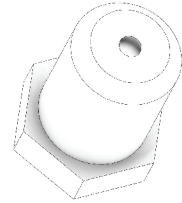
SYSTÈME DE BRÛLEUR ET DE VEILLEUSE

Le brûleur peut être retiré pour faciliter l'accès au compartiment de commande.

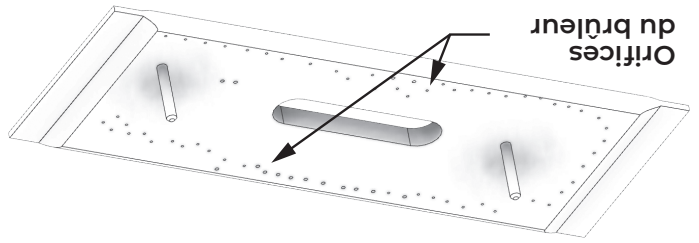
Effectué par : Technicien d'entretien qualifié
Fréquence : Annuelle

Action :
 Passez l'aspirateur sur tous les composants du système de brûleur. Vérifiez visuellement que rien n'obstrue les orifices du brûleur, surtout près de la veilleuse.

Vérifiez visuellement la veilleuse et l'aspect de la flamme du brûleur en cours de fonctionnement. Les flammes doivent être stables, ne pas se soulever et ne pas être flottantes.



Tête du brûleur



Orifices du brûleur

L'interrupteur à bascule est en position OFF	Alimentation en gaz éteinte	Vérifiez les différentes fermetures dans la conduite d'alimentation. Vérifiez que l'alimentation en gaz est éteinte	L'alimentation en gaz est éteinte	Vérifiez un plombier ou un fournisseur de gaz. Consultez le réservoir de GPL (propane). Remplissez-le si nécessaire.	Débranchement du câblage ou mauvais câblage	Vérifiez le câblage défectueux ou incorrect.	Orifice du brûleur principal bouché	Débouchez.	Vérifiez que la flamme de la veilleuse est bien dirigée pour allumer le brûleur. Consultez le dépannage de la flamme de la veilleuse ci-dessus.	La télécommande ne fonctionne pas correctement	Remplacez les piles.	Pas d'appel de chaleur	Vérifiez que la télécommande est allumée et que le thermostat est éteint.	Placement incorrect des bûches	Voir la section « Installation des simili-bûches ».	L'obturateur d'air Venturi doit être légèrement ouvert pour laisser passer plus d'air dans le mélange de gaz. Consultez la section « Venturi du brûleur ».	Réglage inapproprié du Venturi	Installation du chapeau d'évent incorrecte	Ajustez si nécessaire.	Blockage du chapeau d'évent	De la suie apparaît sur la vitre	Blockage du chapeau d'évent	Si nécessaire, retirez les débris.	Batterie de secours ou piles de la télécommande faibles	Remplacez les piles.	Aucune communication entre la télécommande et le module d'allumage	Aucune réaction à la commande	Un nombre maximal d'allumages défectueux ou de restaurations de la flamme est atteint	Réinitialisez le module d'allumage.	Système de contrôle mis en mode GPL	Passer le système de contrôle en mode IPL.	La flamme de la veilleuse est toujours allumée ou ne s'éteint pas	Aucun gaz GPL (propane) dans le réservoir	Vérifiez le réservoir de GPL (propane). Remplissez-le si nécessaire.	Installation de l'assemblage de vitre incorrecte	Consultez la section « Assemblage du cadre vitré »	Installation du chapeau d'évent incorrecte	Ajustez si nécessaire.	Blockage du chapeau d'évent	Si nécessaire, retirez les débris.	Mauvais niveau de l'évacuation horizontale	élévation de 1/4 po (6 mm) par pied (30 cm) est requise pour une évacuation horizontale	Fuite de gaz du tuyau de ventilation vers la boîte à combustion	Vérifiez les fuites et réparez-les si nécessaire.	Tirage excessif	L'installation ou la modification d'un réducteur peut être nécessaire. Référez-vous à la section « Réducteur ».	La veilleuse et le brûleur s'éteignent en cours de fonctionnement
--	-----------------------------	---	-----------------------------------	--	---	--	-------------------------------------	------------	---	--	----------------------	------------------------	---	--------------------------------	---	--	--------------------------------	--	------------------------	-----------------------------	----------------------------------	-----------------------------	------------------------------------	---	----------------------	--	-------------------------------	---	-------------------------------------	-------------------------------------	--	---	---	--	--	--	--	------------------------	-----------------------------	------------------------------------	--	---	---	---	-----------------	---	---

▲ ATTENTION : L'INSTALLATION ET LES RÉPARATIONS DOIVENT ÊTRE EFFECTUÉES UNIQUEMENT PAR UN PERSONNEL D'ENTRETIEN QUALIFIÉ. LE Foyer DEVRAIT ÊTRE INSPECTÉ AVANT UTILISATION PAR UN TECHNICIEN QUALIFIÉ. IL DOIT ÊTRE INSPECTÉ AU MOINS UNE FOIS PAR AN PAR UN TECHNICIEN PROFESSIONNEL.

Avant de procéder aux étapes du guide de dépannage qui suit :

- Vérifiez que l'alimentation électrique de 120 V en courant alternatif est raccordée au module de commande.
- Vérifiez que le bloc-piles du module de commande et les piles de la télécommande sont neuves et installées en respectant la polarité.
- Vérifiez que toutes les connexions entre les faisceaux de branchement et les composants du système sont correctes et alimentées.
- Vérifiez que le lien de communication est établi entre la télécommande et le module d'allumage.
- Vérifiez que la pression d'entrée correspond à la pression recommandée. Si nécessaire, ajustez le régulateur de pression du conduit.

Problème	Cause	Solution
La veilleuse ne s'allume pas	L'alimentation électrique est interrompue ou débranchée	Rétablissez le courant électrique jusqu'au foyer ou utilisez la batterie de secours.
	Débranchement du câblage	Assurez-vous que les piles sont complètement chargées si vous utilisez la batterie de secours comme source d'alimentation. Utilisez le schéma de câblage du présent manuel pour déterminer que tous les branchements sont bien établis et sécurisés.
La flamme est bleue et se soulève du brûleur	L'alimentation en gaz est éteinte	Vérifier les vannes d'arrêt à distance du foyer. En principe, il y a une vanne près de la conduite de gaz. Il peut y avoir plus d'une (1) vanne entre le foyer et la conduite de gaz principale.
	Réglage inapproprié du Venturi	L'obturateur d'air Venturi doit être légèrement ouvert pour laisser passer plus d'air dans le mélange de gaz. Voir la section « Venturi du brûleur ».
	Installation du chapeau d'évent incorrecte	Ajustez si nécessaire.
La veilleuse ne reste pas allumée	Blocage ou fuite du système d'évent	Vérifiez qu'il n'y a pas de fuites sur les tuyaux de ventilation et des débris sur le chapeau d'évent. Réparez les tuyaux de ventilation ou retirez les débris du chapeau d'évent, si nécessaire.
	Aucun gaz GPL (propane) dans le réservoir	Vérifiez le GPL (réservoir de propane). Remplissez-le si nécessaire.
	Faible pression du gaz	Consultez un plombier ou un fournisseur de gaz. Cela peut être causé par des situations comme une conduite courbée, un diamètre ou un tuyau trop étroit ou une faible pression.
	Une flamme de la veilleuse n'est pas en contact avec le détecteur de rectification de la flamme sur l'assemblage de la veilleuse	Vérifiez que la flamme de la veilleuse enveloppe le haut du détecteur de flamme et va suffisamment loin autour du brûleur pour un bon allumage. Pour ajuster la flamme de la veilleuse, tourner la vis de réglage de la veilleuse sur la vanne de gaz dans le sens horaire pour diminuer la flamme, et dans le sens antihoraire pour l'augmenter.
	Vis de réglage de la veilleuse non scellée	Scellez la vis de réglage de la veilleuse. Ne pas trop serrer.

TEST DE LA PRESSION D'ADMISSION

- Allumer la veilleuse.
- Desserrer la prise de sortie de pression (OUT) en tournant la vis dans le sens horaire (voir B).
- Fixer le manomètre à la prise de pression à l'aide d'un tube de D.I. de 1/4 po (6 mm).
- Allumer le brûleur. Vérifier les relevés de pression.
- Eteindre le brûleur et la veilleuse.
- Débrancher le manomètre et serrer la vanne de sortie de pression (OUT) en vissant dans le sens horaire. La vis doit être serrée. Ne pas trop serrer.
- Fixer ensuite le manomètre à la vanne d'admission de pression (B) pour vérifier qu'elle est complètement scellée. Le manomètre ne doit lire aucune pression lorsque la veilleuse et le brûleur sont en marche.

Prise de pression d'entrée (A)				Approvisionnement en gaz	
MIN	MAX				
5,0 po CE (1,25 KPA)	10,5 po CE (2,61 KPA)	Gaz naturel	Propane (propane liquide)		
12 po CE (2,74 KPA)	14 po CE (3,49 KPA)				

Prise de pression d'admission (B)				Approvisionnement en gaz	
Normal	Normal				
3,8 po CE (0,95 KPA)	11,0 po CE (2,74 KPA)	Gaz naturel	Propane (propane liquide)		

RÉGLAGES DE LA FLAMME DU BRÛLEUR

- POUR ÉVITER DES DOMMAGES MATÉRIELS OU CORPORELS, LAISSEZ REFRROIDIR AVANT D'EFFECTUER UN RÉGLAGE.
- LES RÉGLAGES DU VENTURI DOIVENT ÊTRE EFFECTUÉS PAR UN PERSONNEL D'ENTRETIEN QUALIFIÉ.

⚠ AVERTISSEMENT :

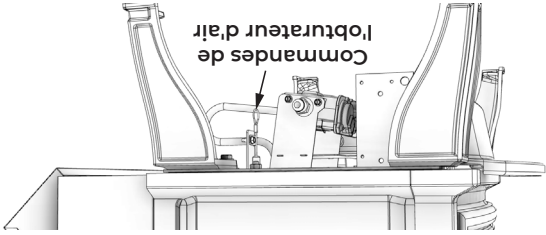
Les caractéristiques et l'aspect de la flamme du brûleur sont affectés par l'altitude, la qualité des carburants, la configuration de l'évacuation et d'autres facteurs. Après l'installation, des ajustements supplémentaires peuvent être nécessaires pour que l'aspect de la flamme soit optimal et visuellement esthétique.

RÉGLAGE DE LA FLAMME DE GAZ

Pendant l'installation initiale, l'ouverture de l'obturateur d'air doit être vérifiée pour s'assurer que cet obturateur est correctement réglé, comme spécifié dans le présent manuel. Les ajustements doivent être réalisés par un technicien qualifié. REMARQUE : Aux altitudes supérieures à 5 000 pieds, quelques variations peuvent être nécessaires.

Assurez-vous que le brûleur et les bûches sont correctement installés. Après que le brûleur a été correctement installé et qu'il a bien fonctionné pendant 2 ou 3 heures, de petits réglages supplémentaires de l'obturateur d'air peuvent être nécessaires pour finaliser l'aspect de la flamme. Ces petits réglages peuvent être réalisés en suivant la procédure ci-après. REMARQUE : De très petites modifications de paramètres de l'obturateur peuvent produire des changements majeurs dans l'aspect de la flamme.

- Les commandes de l'obturateur d'air sont situées au bas du foyer, à côté de l'assemblage de la vanne.
 - Si la flamme est trop « bleue », poussez le bouton de l'obturateur d'air par petits incréments de 1/8 po (fermez), jusqu'à ce que la flamme prenne la couleur « orange » réaliste voulue.
 - Si la flamme est trop « orange » ou entraîne de la suie sur la vitre, tirez le bouton de l'obturateur d'air vers l'extérieur par incréments d'environ 1/8 po (ouvrez), jusqu'à ce que la formation de suie cesse.



Ouvertures Venturi réglées en usine	
Combustible	Ouverture de l'obturateur d'air
Gaz naturel	Fermé
Gaz PL	Fermé

⚠ ATTENTION :

ESSAYEZ CHAQUE NOUVEAU RÉGLAGE DE L'OBTURATEUR ENVIRON 1 HEURE AVANT D'EFFECTUER DES MODIFICATIONS SUPPLÉMENTAIRES. LA FLAMME DU BRÛLEUR PEUT ÊTRE MODIFIÉE EN RÉORGANISANT LES BRAISES.

POURQUOI MON THERMOSTAT DISPARAIT-IL DE MA TÉLÉCOMMANDE?

Lors du changement de piles, il est possible qu'on ait appuyé sur le thermostat. Suivez les étapes ci-après :

1. Retirez une pile.
2. Appuyez sur le bouton du thermostat de la télécommande et maintenez-le enfoncé.
3. Réinstallez la pile tout en maintenant le bouton du thermostat enfoncé.
4. Si vous voyez « set » s'afficher, le bouton du thermostat est maintenant active.
5. Si vous voyez « clear » s'afficher, le bouton du thermostat est désactivé.
6. Répétez cette procédure si vous ne voyez pas « set » ou « clear » pour ajouter/retirer l'option de thermostat.

POURQUOI L'APPAREIL NE S'ALLUME PAS?

Si votre télécommande fonctionne, mais que votre foyer ne s'allume pas, il peut être en mode « verrouillage ». Suivez les étapes ci-après pour réinitialiser un verrouillage :

1. Éteignez la télécommande.
2. Allumez la télécommande et attendez 2 secondes.
3. Éteignez la télécommande et attendez 2 secondes.
4. Allumez la télécommande et attendez 2 secondes.
5. Éteignez la télécommande.

Cela devrait supprimer le mode verrouillage. Rallumez la télécommande et démarrez le foyer. Assurez-vous que l'interrupteur principal est en position « ON » (marche). Si le mode verrouillage est toujours active, suivez les étapes ci-après :

1. Éteignez la télécommande.
 2. Si vous voyez l'icône de flocon de neige, appuyez sur la touche « Mode » et basculez en mode IPL.
 3. Coupez l'alimentation en courant alternatif du module de commande d'allumage (coupez le disjoncteur).
 4. Basculez l'interrupteur principal sur la position « arrêt ». Attendez 30 secondes.
 5. Allumez le courant alternatif en allumant le disjoncteur.
 6. Allumez la télécommande, puis éteignez-la.
 7. Remettez l'interrupteur principal sur la position « marche ».
 8. Appuyez sur le bouton « Mode » de la télécommande. Sélectionnez le mode CPL pour relancer la veilleuse. Après la mise en route de la veilleuse, mettez votre télécommande en marche pour allumer.
- Après avoir suivi ces étapes, contactez votre revendeur agréé si l'appareil ne s'allume pas.

TEST DE PRESSION

REMARQUE : Ce foyer et sa vanne de gaz principale doivent être déconnectés du système de conduite d'approvisionnement en gaz lors des tests de pression si la pression excède 1/2 psi (3,5 kPa).

LES PRISES DE CONTRÔLE DE PRESSION POUR LE COLLECTEUR (SORTIE) ET LA PRESSION D'ADMISSION (ENTRÉE) ONT ÉTÉ INCORPORÉES DANS LA VANNE. LA PRISE DE PRESSION MARQUÉE « OUT » (SORTIE) MESURE LA PRESSION SORTANTE. LA PRISE DE PRESSION MARQUÉE « IN » (ENTRÉE) MESURE LA PRESSION ENTRANTE.

ATTENTION :

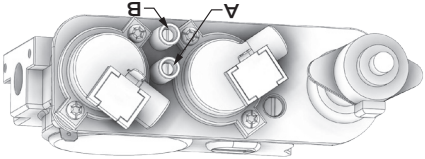
TEST DE PRESSION D'ENTRÉE

REMARQUE : Assurez-vous d'appliquer ces entrées de pression test avec tous les foyers au gaz en fonctionnellement ou à pleine capacité de la maison afin d'obtenir des relevés de pression appropriés.

ATTENTION :

SI LE RELEVÉ DE LA PRESSION D'ENTRÉE EST TROP OU PAS ASSEZ ÉLEVÉ, VEUILLEZ CONTACTER LA COMPAGNIE DE GAZ. SEULS UN TECHNICIEN GAZIER OU UNE TECHNICIENNE GAZIÈRE DOIVENT AJUSTER LA PRESSION D'ADMISSION DU GAZ.

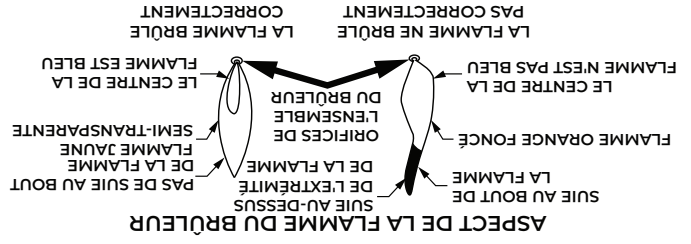
1. Desserrez la prise d'entrée de pression (IN) en tournant la vis dans le sens antihoraire. Voir (A).



2. Fixer le manomètre à l'aide d'un tube de D.I. de 1/4 po (6 mm). Veilleuse et brûleur. Vérifier la pression pour assurer qu'elle se trouve entre le minimum et le maximum de pression recommandé.
3. Éteindre le brûleur et la veilleuse.
4. Débrancher le tube et serrer la prise d'entrée de pression (IN) en vissant dans le sens horaire. La vis doit être serrée. Ne pas trop serrer.
5. Rallumer la veilleuse et le brûleur. Refixer ensuite le manomètre à la prise de pression d'entrée (A) pour vérifier que la prise est complètement scellée. Le manomètre ne doit lire aucune pression.

- que la longueur de la flamme de la veilleuse est d'au moins 1 po de longueur.
5. Un contrôle visuel périodique de la flamme du brûleur est nécessaire.

Caractéristique de la flamme	Cause	Solution
Flamme orange foncé avec une extrémité noire	Venturi trop serré	Ouvrez légèrement le Venturi
Flammes bleues et courtes	Venturi trop serré	Fermer légèrement le raccord
Flammes instables (dansantes)	Pression du gaz trop élevée	Vérifier le réglage du Venturi trop serré



QUE DOIS-JE FAIRE EN CAS DE SUIE?

La suie est causée par une mauvaise installation ou un mauvais fonctionnement de l'obturateur d'air. Toutefois, quelques petites zones de dépôts de suie sur les surfaces des bûches sont jugées acceptables. Si vous constatez des grandes zones de suie (supérieures à 1 po x 1 po) sur la surface des bûches ou des signes de suie sur la vitre de la porte (habituellement un mince film noir sur la surface vitrée ou à l'extérieur de la maison autour du chapeau de l'évent), éteignez immédiatement et informez rapidement le distributeur agréé. Le revendeur agréé corrigera le problème de « formation de suie », mais il n'est pas responsable des dommages causés par un encrassement excessif qui n'aurait pas été immédiatement porté à son attention.

INFORMATIONS SUR LE FONCTIONNEMENT

Dépannage en cas de suie
Problème
Formation d'une mince couche noire (suie) sur la vitre
Causes possibles
<ul style="list-style-type: none"> Mauvaise pression du gaz Pas assez d'air de combustion Fuite au niveau du joint d'étanchéité de la vitre Obstruction de l'évent
Mesure corrective
<ul style="list-style-type: none"> Faites vérifier la pression d'entrée par le fournisseur de gaz (7 po CE pour le gaz nat., 1 po CE pour le GPL). Vérifiez la bonne étanchéité du joint de la vitre. Les coins du joint de la vitre ne doivent pas déborder. Si le joint d'étanchéité de la vitre, au milieu, le long du bord supérieur, est de couleur blanche à travers toute l'épaisseur du bulbe du joint, remplacez le joint d'étanchéité de la vitre. Si la suie persiste, ouvrez l'obturateur d'air sur le brûleur. Si la suie persiste, arrêtez l'appareil et appelez un technicien agréé.

COMMENT PUIS-JE FAIRE PASSER LA TELECOMMANDE DE °C À °F?

Pour basculer de °C à °F, procédez comme suit :

- Appuyez sur le bouton « ON/OFF » et éteignez.
- Appuyez simultanément sur le bouton du mode et le bouton du thermostat.
- Regardez l'écran à cristaux liquides pour vérifier que l'unité souhaitée s'affiche (°F ou °C). Dans le cas contraire, répétez l'étape 2.

COMMENT PUIS-JE PASSER EN MODE DE SECURITE ENFANT?

Pour empêcher les enfants sans surveillance de faire fonctionner l'appareil, une fonction de verrouillage est fournie avec ce système de contrôle à distance. Pour activer la fonction de sécurité enfant : Appuyez simultanément sur le bouton « MODE » et la flèche dirigée vers le haut. Pour désactiver la fonction de sécurité enfant : Appuyez simultanément sur le bouton « MODE » et la flèche dirigée vers le haut. Quand que le mode de sécurité enfant fonctionne, aucun des boutons de la télécommande ne fonctionne. Vous devez désactiver la fonction de sécurité enfant avant de pouvoir utiliser la télécommande.

QUAND DOIS-JE CHANGER LES PILES DE MA TELECOMMANDE?

Lorsque ses piles sont faibles, une icône de pile s'affiche sur l'écran à cristaux liquides de la télécommande avant que les piles n'aient plus du tout d'énergie. Cette icône disparaît lorsqu'on a remplacé les piles.

polymérisation comme les façades décoratives, les portes, les matériaux de revêtement et leurs applications. Il est normal que les surfaces environnantes soient trop chaudes au toucher. Sous réserve que toutes les exigences de dégagement et de valeur R du manuel d'installation aient été respectées, il ne s'agit pas d'un problème de sécurité. Sachez que tous matériaux utilisés autour du foyer vont se réchauffer et peuvent causer des problèmes d'odeur. Les adhésifs, la colle, le support mural, le matériau de finition de mur, les peintures et vernis sont des matériaux courants qui, si utilisés à mauvais escient, peuvent causer des problèmes d'odeur. Breckwell ne peut être tenue responsable des problèmes d'odeur causés par les matériaux utilisés. Si vous avez d'autres questions ou préoccupations, contactez votre revendeur agréé ou envoyez un e-mail à www.breckwell.com.

PUIS-JE CONTINUER À FAIRE FONCTIONNER L'APPAREIL EN CAS DE PANNE DE COURANT?

Ce système d'allumage électronique utilise une alimentation de 120 V en courant continu pour toutes ses fonctions. En cas de panne d'électricité, insérez 4 piles AA dans le bloc de piles situé dans le boîtier du module d'allumage. Pendant la panne d'électricité, le brûleur continue à fonctionner ainsi que le réglage de la hauteur de flamme. L'éclairage d'accentuation et le ventilateur, qui sont tributaires de la puissance de 120 V en courant continu, ne fonctionneront pas. Votre installateur devrait expliquer le fonctionnement du boîtier d'alimentation CC de secours. N'oubliez pas de conserver le bloc de piles CC et le faisceau de raccordement en lieu sûr pour l'utiliser pendant les pannes de courant.

QUEL EST L'ENTRETIEN ANNUEL REQUIS?

REMARQUE : Tout ajustement du brûleur, de la veilleuse ou des bûches doit être réalisé par un(e) technicien(ne) qualifié(e) et agréé(e). Les procédures qui suivent doivent être réalisées chaque année par un(e) technicien(ne) qualifié(e). Étapes recommandées pour l'entretien annuel :

▲ ATTENTION :
N'UTILISEZ PAS DE NETTOYANT POUR FOUR OU À BASE D'AMMONIAC POUR NETTOYER LA VITRE. NETTOYEZ LA VITRE UNIQUEMENT LORSQU'ELLE EST REFROIDIE À LA TEMPÉRATURE AMBIANTE.

1. Retirez les bûches et les braises et nettoyez toute matière étrangère (peluches, carbone, etc.) sur le brûleur et les bûches. Nettoyez la veilleuse et les dépôts de carbone dégagés ». Nettoyez la veilleuse et les dépôts de carbone sous les bûches. Les bûches doivent être vérifiées visuellement pour détecter l'accumulation éventuelle de carbone. Si des dépôts de carbone sont visibles sur les bûches, éteignez et appelez un technicien agréé. Veillez à réinstaller les bûches selon les instructions.
2. Nettoyez toutes les peluches et l'accumulation de poussière autour de la commande. Inspectez l'état du câblage sous le

brûleur pour détecter d'éventuels dommages ou un élément fondu. Nettoyez le crochet/la tige du capteur de la flamme à l'aide de toile émeri. Passez l'aspirateur sur tous les orifices du brûleur et l'assemblage de la veilleuse.

3. Vérifiez l'état du joint de porte vitrée, il doit fermer hermétiquement la boîte à combustion. Inspectez le joint sur le dessus et les côtés de la vitre. Si le joint s'est affaissé vers l'extérieur aux coins de la vitre ou si le bulbe du joint d'étanchéité le long de la partie supérieure ou sur les côtés se décolore et blanchit dans toute l'épaisseur du bulbe, remplacez le joint. Un bulbe du joint d'étanchéité blanc indique une fuite de gaz à travers la zone décolorée et nécessite le remplacement du joint de la vitre.

COMMENT DOIS-JE NETTOYER LA VITRE?

▲ ATTENTION :
LES ADDITIFS QUI SONT AJOUTÉS AU GAZ (NATUREL ET GPL) POUR LE RENDRE ODORANT PEUVENT ENDOMMAGER LA VITRE ET LAISSER UNE PELLICULE BLANCHE SUR LA VITRE. CE DÉPÔT PEUT ÊTRE RETIRÉ AVEC DES DÉTERGENTS COMME L'ENCAUSTIQUE KEL KEM OU UN PRODUIT COMPARABLE. COMMUNIQUEZ AVEC VOTRE DISTRIBUTEUR POUR DE PLUS AMPLES INFORMATIONS.

La vitre devrait être nettoyée régulièrement. Nettoyez la vitre avec un chiffon doux et un produit nettoyant non abrasif. Votre revendeur devrait offrir un nettoyant pour vitres de foyer. N'utilisez pas de produits nettoyants abrasifs ou de nettoyant pour four. Ne nettoyez pas la vitre lorsqu'elle est chaude.

L'ASPECT DE MA FLAMME EST-IL CORRECT?

Les obturateurs d'air, les charbons et les braises peuvent être ajustés selon votre configuration d'évacuation et votre combustible. Ces ajustements devraient être réalisés par un technicien qualifié afin d'obtenir la meilleure apparence de flamme. Appelez votre installateur ou revendeur agréé si vous sentez que la flamme ne brûle pas correctement. Il ne s'agit pas d'un défaut et ça n'est pas couvert par la garantie. Suivez ces étapes pendant les inspections périodiques :

1. Vérifiez que le système d'évent et un chapeau sont ouverts et ne sont pas bouchés.
2. La vitre devrait être nettoyée périodiquement (voir la rubrique « Comment dois-je nettoyer la vitre? » du présent manuel).
3. Avant de réinstaller la vitre, faites vérifier le fonctionnement de la veilleuse par un technicien et lancez un cycle du brûleur selon les instructions d'allumage. Veillez à ce que tous les éléments des listes de contrôle d'éclairage et d'installation soient réalisés.
4. Un contrôle visuel périodique des flammes de la veilleuse est nécessaire. La flamme de la veilleuse doit toujours recouvrir les orifices d'allumage du brûleur et le capteur de la flamme. En particulier pour les applications de GPL, vérifiez toujours

4. Vous entendrez un bip et l'amorçeur commencera à faire des étincelles. Après l'allumage et la stabilisation de la veilleuse, la vanne s'ouvrira automatiquement et le brûleur s'allumera. Le brûleur s'allumera initialement à pleine flamme. Adaptez-le à un environnement affaissant avec la télécommande (voir les « instructions de fonctionnement de la télécommande » du présent manuel).

AVERTISSEMENT :

SI LA VEILLEUSE NE S'ALLUME PAS, LE SYSTÈME VA « SE VERROUILLER ». APPUYEZ SUR LE BOUTON MARCHÉ/ARRÊT DE LA TÉLÉCOMMANDE POUR ÉTEINDRE LE SYSTÈME. LAISSEZ LE GAZ SE DISSIPER PENDANT CINQ MINUTES AVANT DE TENTER DE RALLUMER LA VEILLEUSE.

5. Appuyez une nouvelle fois sur le bouton marche/arrêt de la télécommande pour démarrer la séquence d'allumage.

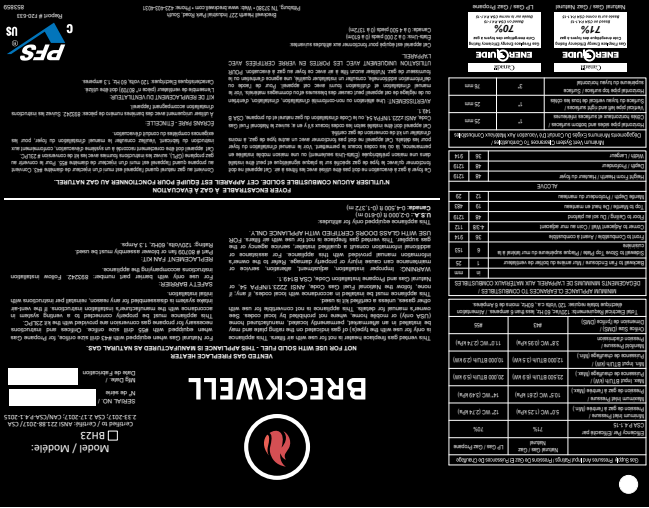
6. Si cela ne fonctionne pas, suivez la rubrique « Arrêter l'appareil » des instructions et appelez votre technicien(ne) d'entretien ou votre fournisseur de gaz.

ARRÊTER L'APPAREIL

- Appuyez sur le bouton « On/Off » de la télécommande.
- Fermez la vanne d'arrêt manuel externe fournie par l'installateur et montée sur le côté du foyer.
- Coupez l'alimentation électrique de l'appareil si un entretien doit être effectué.

FOIRE AUX QUESTIONS

Où puis-je trouver le numéro du modèle et le numéro de série? Cette image n'est qu'un exemple. L'étiquette qui se trouve sur l'unité sera légèrement différente. Lorsque vous demanderez un entretien, vous devrez fournir à votre distributeur agréé le numéro de série, le numéro du modèle et la date de fabrication. Cette information accélèrera le processus de vérification de la garantie. Voici un exemple d'étiquette de certification :



Que se passe-t-il lors du premier allumage?

Il y a une période de polymérisation. Cela peut inclure une petite quantité de fumée et une odeur. C'est tout à fait normal. Étapes de polymérisation :

Étape 1 : Expulsion de la fumée et des odeurs initiales

Terminez l'installation des panneaux latéraux, frontaux ou de sécurité.

- Allumez le thermostat en mode manuel (Off).
- Régalez la hauteur de la flamme à Hi.
- Régalez la commande de vitesse du ventilateur au niveau 2.
- Lancez ces réglages pendant au moins 3 heures. Éteignez ensuite et laissez refroidir.

ATTENTION :

IL EST IMPORTANT QUE LES SOUFFLEURS SOIENT EN ROUTE AU COURS DE CETTE ÉTAPE POUR EMPÊCHER LA FUMÉE DE SÉCHAGE DE TACHER LES FINITIONS MURALES ENVIRONNANTES. COMPLÉTEZ L'ÉTAPE 1 AVANT L'INSTALLATION DES MATÉRIEAUX DE FINITION MURALE. UNE FUMÉE VISIBLE ET UNE ODEUR SONT ATTENDUES AU COURS DE CETTE ÉTAPE. SI VOUS LE SOUHAITEZ, DÉSACTIVEZ LES DÉTECTEURS DE FUMÉE AVANT CETTE ÉTAPE. LA FUMÉE DE LA POLYMÉRISATION INITIALE PEUT DÉTECTER LES DÉTECTEURS DE FUMÉE. OUVREZ LES PORTES ET LES FENÊTRES POUR FAIRE CIRCULER L'AIR FRAIS.

Étape 2 : Cycle de polymérisation haute température

- Allumez le thermostat en mode manuel (Off).
- Régalez la hauteur de la flamme à Hi.
- Régalez la commande de vitesse du ventilateur à Off.
- Lancez l'appareil avec ces réglages pendant 8 heures sans arrêt, jusqu'à ce que les odeurs aient diminué.
- Lorsque les odeurs ont diminué, laissez sécher et poursuivez de la façon suivante.
- Régalez la commande de vitesse du ventilateur au niveau 1.

Si vous détectez d'autres odeurs de polymérisation, laissez fonctionner l'appareil avec ces réglages jusqu'à ce que les odeurs de polymérisation aient diminué.

ATTENTION :

DE LÉGÈRES ODEURS PEUVENT ENCORE ÊTRE PERÇUES LORS DES DÉMARRAGES SUIVANTS. ELLES VONT DIMINUER AU FIL DU TEMPS LORS DES UTILISATIONS ULTÉRIEURES.

INFORMATIONS SUPPLÉMENTAIRES SUR LA POLYMÉRISATION

Il n'est pas inhabituel d'avoir besoin de plus de 10 heures consécutives en position forte pour voir les odeurs diminuer. Certaines variables peuvent prolonger ou raccourcir le temps de

INSTRUCTIONS DE PREMIER ALLUMAGE

⚠ AVERTISSEMENT :

QUE FAIRE SI VOUS DÉCELEZ UNE ODEUR DE GAZ

- N'ALLUMEZ EN AUCUN CAS LE FOYER.
- NE TOUCHEZ AUCUN INTERRUPTEUR.
- N'UTILISEZ AUCUN TÉLÉPHONE DANS LE BÂTIMENT.
- RENDEZ-VOUS CHEZ VOTRE VOISIN ET APPELEZ VOTRE FOURNISSEUR DE GAZ.
- SUIVEZ LES INSTRUCTIONS DU REPRÉSENTANT DU FOURNISSEUR.
- SI VOUS N'ARRIVEZ PAS À JOINDRE VOTRE FOURNISSEUR DE GAZ, APPELEZ LE SERVICE D'INCENDIE POUR OBTENIR DE L'AIDE.

⚠ AVERTISSEMENT :

SI VOUS NE RESPECTEZ PAS SCRUPULEUSEMENT CES INSTRUCTIONS, UNE EXPLOSION POURRAIT CAUSER DES DOMMAGES À LA PROPRIÉTÉ, DES BLESSURES ET MÊME LA MORT.

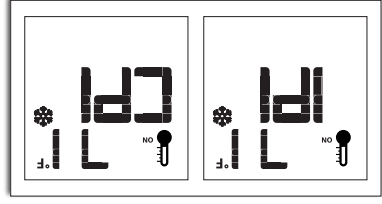
CONSIGNES DE SÉCURITÉ

- Cet appareil est équipé d'un dispositif d'allumage qui allume automatiquement la veilleuse. N'essayez pas d'allumer la veilleuse à la main.
- Avant utilisation, sentez dans toute la zone pour détecter les odeurs de gaz. N'oubliez pas de sentir près du sol, car certains gaz sont plus lourds que l'air et se déposent au sol.
- Basculez l'interrupteur principal sur la position on (marche). Les brûleurs ne s'allumeront pas sauf si l'interrupteur est sur la position « ON » (MARCHÉ).
- Utilisez uniquement la télécommande fournie pour allumer la veilleuse. Cette vanne ne fonctionnera pas si la veilleuse n'est pas allumée et stable.
- N'utilisez pas l'appareil si l'un des composants a été immergé. Appelez immédiatement un(e) technicien(ne) qualifié(e) pour inspecter l'appareil et remplacer tout composant ayant été plongé sous l'eau. Tenter un fonctionnement peut provoquer un incendie ou une explosion entraînant des dommages matériels, des blessures et la mort.

INSTRUCTIONS D'UTILISATION

1. Lisez attentivement les consignes ci-dessus avant de procéder.
2. N'essayez pas d'allumer la veilleuse à la main ; la porte doit rester sur ce foyer lors de l'allumage de la veilleuse, à l'exception du premier allumage.
3. Appuyez sur le bouton marche/arrêt de la télécommande pour commencer la séquence d'allumage.

laisser en mode CPI préservera la chaleur du corps et éliminera les courants d'air froids et les pertes de chaleur en contact de l'air froid coincé à l'intérieur de la boîte à combustion.



Recommandé : Restez en mode CPI. Bien que cela ne soit pas obligatoire, cela permettra de garder la cheminée chauffée pour un tirage ascendant approprié lors de l'allumage du brûleur, et éliminera également la condensation excessive des vapeurs d'échappement sur la vitre. REMARQUE : L'icône de flocon de neige s'affichera toujours sur l'écran en mode CPI.

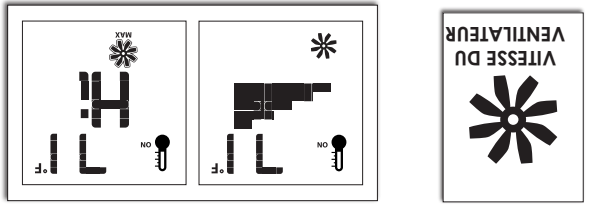
PASSER EN MODE IPI OU CPI

Avec la télécommande à l'arrêt, appuyez sur le bouton MODE. Vous verrez « CPI » ou « IPI » s'afficher à l'écran. Appuyez sur la flèche dirigée vers le haut pour passer en mode « CPI » et appuyez sur la flèche dirigée vers le bas pour passer en mode « IPI ». Une fois sur la position désirée, appuyez sur la touche « On/Off » pour activer.

Mode CPI : S'il est en mode CPI, la veilleuse s'enflammera et restera allumée en permanence. Mode IPI : Ce mode arrête la veilleuse lorsque l'appareil n'est pas en cours d'utilisation et allume seulement la veilleuse lorsque la télécommande fait un appel de chaleur.

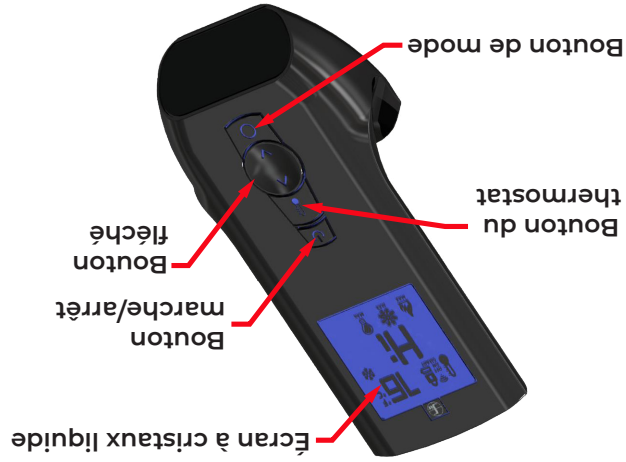
Les fonctions de veilleuse intermittente (IPI) et veilleuse continue (constante) (CPI) allument d'abord une veilleuse puis l'utilisent pour allumer les brûleurs principaux. On peut régler la veilleuse sur le mode CPI (« Continuous Pilot Ignition ») pour permettre à la veilleuse de rester indéfiniment allumée en plaçant la télécommande en mode CPI. Si la télécommande est réglée sur le mode IPI (« Intermittent Pilot Ignition »), seule la veilleuse s'allumera et demeurera allumée tant que les brûleurs principaux fonctionnent.

MODES IPI ET CPI



ventilateur. Utilisez le bouton flèche pour allumer, éteindre le ventilateur ou régler sa vitesse. Une fois que vous avez réglé le ventilateur sur la vitesse souhaitée, le système s'en souviendra tant que vous ne la modifiez pas manuellement.

3. Bouton haut/bas : Ce bouton est utilisé pour augmenter ou diminuer la température du thermostat, la hauteur de la flamme, la vitesse du ventilateur et l'intensité lumineuse.
4. Bouton de sélection de mode : On utilise cette touche pour basculer entre les différentes icônes de fonction : la hauteur de flamme, la vitesse du ventilateur, la luminosité et le brûleur arrière (sur certains modèles).



REDÉMARRAGE AUTOMATIQUE DE SÉCURITÉ

Ce système exécutera une commande d'arrêt automatique dans les 24 heures d'un fonctionnement permanent de la veilleuse. Cela permet au système de vérifier les fonctions de sécurité. Une fois la séquence d'arrêt terminée, le module d'allumage relance la dernière commande.

FONCTION D'ALLUMAGE

1. Appuyez sur le bouton on/off (marche/arrêt). La télécommande affiche toutes les icônes actives sur l'écran.
2. Sélectionnez le mode thermostat en appuyant sur le bouton du thermostat : OFF (pour manuel), ON (pour thermostat normal) ou Smart (pour thermostat intelligent).
- a. Si l'icône de thermostat affiche « OFF » (manuel), il s'allumera et démarrera sur « Hi » (fort).
- b. Si l'icône du thermostat affiche « ON » (thermostat normal), il s'allumera seulement si la température du thermostat supérieure à la température ambiante.
- c. Si l'icône du thermostat affiche « SMART » (thermostat intelligent), il s'allumera seulement si la température du thermostat est supérieure à la température ambiante.

FONCTION D'ARRÊT

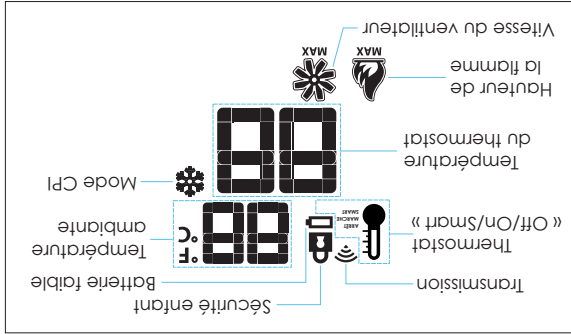
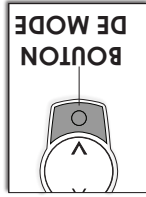
Appuyez sur le bouton on/off (marche/arrêt).

COMPRENDRE LES ICÔNES DE VOTRE TELECOMMANDE

Votre télécommande affiche et contrôle les fonctions suivantes. Voir ci-dessous les explications détaillées de l'icône contrôle.

DÉTAILS DE L'ICÔNE

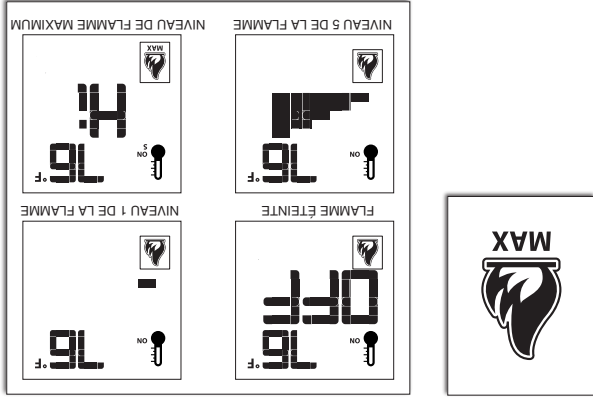
Bouton de mode : On utilise ce bouton du mode pour basculer entre les différentes fonctions disponibles : la hauteur de flamme, la vitesse du ventilateur, la luminosité et l'allumage du brûleur arrière.



Hauteur de la flamme : Six niveaux de flamme sont disponibles. Quand l'icône de hauteur de flamme est affichée, appuyer sur le bouton flèche va augmenter ou diminuer la hauteur de la flamme du niveau 1 au niveau 6.

Si la hauteur de la flamme est au niveau 1 et qu'on appuie sur le bouton, tous les brûleurs vont s'éteindre.

En mode IP1, la veilleuse s'éteindra à son tour. En mode CPI, la veilleuse restera allumée. En mode thermostat intelligent, le réglage manuel de la hauteur de flamme n'est pas disponible. En mode thermostat intelligent, la hauteur de flamme se règle automatiquement.



Régulateur de vitesse du ventilateur : La vitesse du ventilateur est réglable sur 6 vitesses et l'arrêt. Pour activer cette fonction, appuyez sur le bouton Mode jusqu'à ce qu'il affiche l'icône du

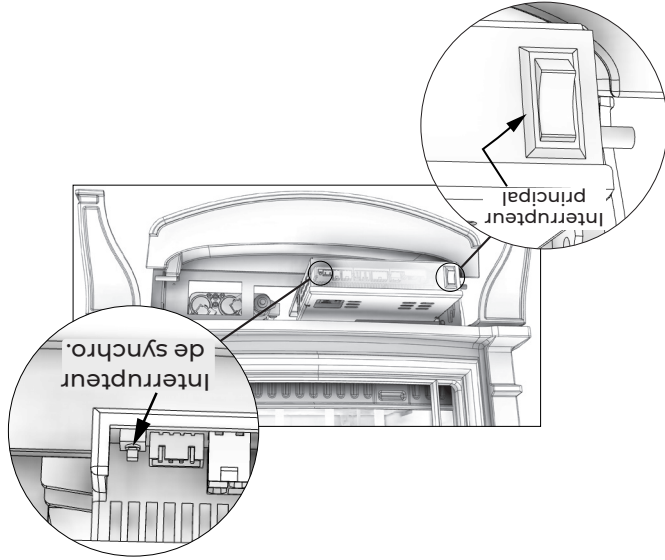
UTILISATION DE VOTRE TÉLÉCOMMANDE

Votre télécommande est préprogrammée. Assurez-vous d'avoir installé 3 piles AAA dans votre télécommande.

Appuyez sur le bouton du haut de la télécommande. Si vous n'entendez pas un bip lorsque vous appuyez sur ce bouton, suivez les instructions ci-dessous pour synchroniser votre appareil avec la télécommande.

SYNCHRONISATION DE LA TÉLÉCOMMANDE

L'interrupteur principal se trouve en bas à gauche.



Suivez les étapes ci-après pour synchroniser :

1. Basculez l'interrupteur principal sur la position « ON » (vers le haut). Les brûleurs ne s'allumeront pas sauf si l'interrupteur est sur la position « ON » (MARCHÉ).

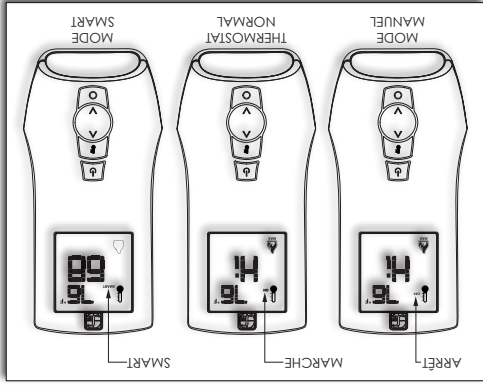
2. Répérez l'interrupteur de synchronisation sur le module d'allumage. C'est le bouton rouge situé sur le module d'allumage marqué « SW1 ». Appuyez sur le bouton de synchronisation, puis relâchez-le. Le module émettra 3 bips indiquant qu'il est prêt à se synchroniser avec une télécommande. REMARQUE : Si vous n'entendez aucun bip lorsque vous appuyez sur le bouton de synchronisation, contactez votre revendeur ou votre installateur.

3. Dans les 7 secondes qui suivent, appuyez sur le bouton « ON » de la télécommande. L'appareil émettra un bip pour indiquer que la télécommande est acceptée et définit le code de ce contrôleur.

Votre système est désormais synchronisé.

FONCTIONS DE LA TÉLÉCOMMANDE

REMARQUE : Vous entendrez un bip chaque fois que vous appuierez sur un bouton de la télécommande, cela indiquera que la commande a été reçue. Localisez les quatre touches de la télécommande :



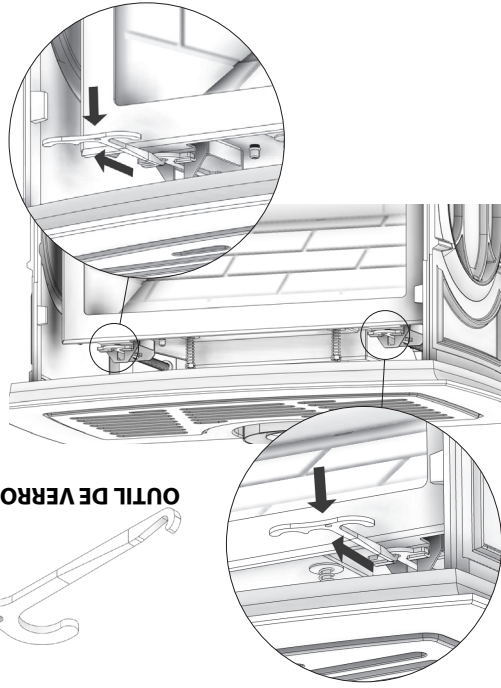
Thermostat intelligent (Smart) : Ce mode permet de maintenir la température de la pièce et la hauteur de flamme s'ajuste automatiquement pour fournir une chaleur constante et efficace. Toutes les autres fonctions du mode normal sont permises, à l'exception du réglage de la hauteur de la flamme. Le réglage manuel de la hauteur de la flamme n'est pas autorisé dans ce mode. La fonction de thermostat intelligent permet d'ajuster la hauteur de la flamme selon la différence entre la température programmée et la température ambiante réelle. Quand la température de la pièce se rapproche de la température programmée, le thermostat intelligent réduit automatiquement la flamme.

Thermostat normal (On) : Il s'allumera et s'éteindra automatiquement en fonction de la température que vous définissez. Lorsque vous réglez le thermostat, il continuera à réchauffer jusqu'à ce que la température ambiante augmente de 1°F au-dessus de la température réglée sur le thermostat. Pour augmenter la température du thermostat, appuyez sur le bouton du haut jusqu'à ce que la température désirée s'affiche dans la fenêtre du thermostat. Le ventilateur se mettra en marche 5 minutes après le démarrage et s'éteindra 12-15 minutes après que les flammes s'éteignent. On peut régler la hauteur de flamme en cours d'utilisation, et la vitesse du ventilateur peut être ajustée 5 minutes après le démarrage.

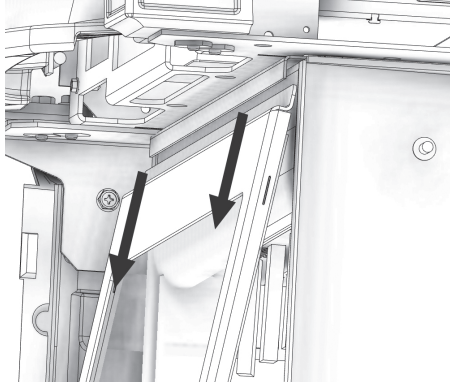
Manuel (Off) : Dans ce mode, on peut allumer l'appareil, quelle que soit la température de la pièce. Dans ce mode, la température ambiante réelle n'a aucun effet. Toutes les autres fonctions comme la commande de vitesse du ventilateur, le contrôle de la hauteur de flamme et les commandes d'intensité lumineuse sont contrôlables manuellement.

1. Bouton marche/arrêt : Ce bouton allume et éteint l'appareil. Lorsque l'on enfonce le bouton et que le système est éteint, la veilleuse s'allumera. Après l'allumage de la veilleuse, cette dernière allumera les brûleurs principaux. Consultez les modes IPL et CPL du présent manuel pour l'allumage de la veilleuse.
2. Bouton de thermostat : Ce bouton permettra de sélectionner trois modes. Manuel, thermostat normal et thermostat intelligent. REMARQUE : Le foyer s'éteindra automatiquement après 12 heures d'utilisation continue.

3. Utilisez l'outil de verrouillage fourni pour tirer les loquets à ressort vers l'extérieur et vers le haut pour libérer le haut de l'assemblage de verre. **REMARQUE:** Retirez et rangez l'outil de verrouillage lorsqu'il n'est pas utilisé.



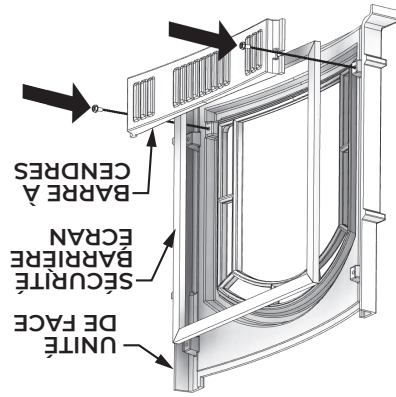
4. Soulevez l'assemblage de verre vers le haut et hors de la rainure située au bas de la chambre de combustion.



REMARQUE: Le côté du poêle a été retiré de l'image uniquement à des fins de clarté.

INSTALLEZ L'ASSEMBLAGE DU CADRE EN VERRE

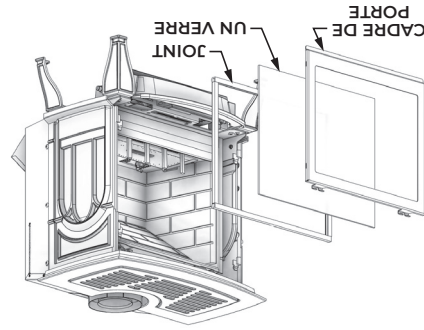
1. Placez le bas de l'assemblage de verre dans la rainure au bas de la chambre de combustion et inclinez le haut vers l'arrière pour le mettre en place.
2. Tirez les loquets à ressort vers l'extérieur et vers le bas pour fixer le haut de la porte vitrée au sommet de l'appareil.



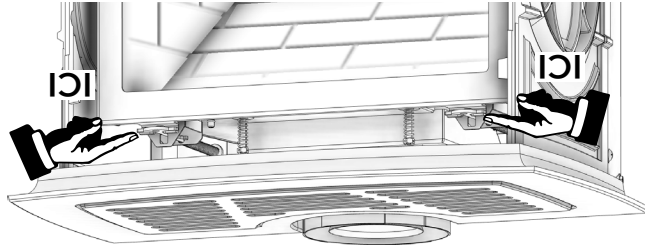
ASSEMBLAGE DU CADRE VITRÉ

⚠ AVERTISSEMENT :

- N'UTILISEZ PAS L'APPAREIL LORSQUE LA VITRE EST ENLEVÉE, FISSURÉE OU BRISÉE. LE REMPLACEMENT DE L'ASSEMBLAGE VITRÉ DEVRA ÊTRE EFFECTUÉ PAR UN(E) TECHNICIEN(NE) CERTIFIÉ(E) OU QUALIFIÉ(E).
- UTILISEZ UNIQUEMENT DES PIÈCES ET DES MATÉRIAUX AUTORISÉS LORS DU REMPLACEMENT DE LA VITRE DÉFECTUEUSE OU ENDOMMAGÉE.
- TOUT ÉCRAN, PROTECTION OU BARRIÈRE DE SÉCURITÉ RETIRÉ POUR L'ENTRETIEN D'UN APPAREIL DOIT ÊTRE REMPLACÉ AVANT DE FAIRE FONCTIONNER L'APPAREIL.
- NE RETIREZ PAS L'ENSEMBLE DE VERRE LORSQU'IL EST CHAUD.



1. Retirez la façade en fonte du poêle. Soulevez et faites pivoter le bas pour le retirer.
2. Localisez (2) loquets à ressort fixant l'assemblage de verre en haut de la chambre de combustion.



ÉTAPE 3
Placez des morceaux de laine de braise de la taille d'une pièce de dix cents sur les ports avant uniquement. Ne placez aucune laine de braise sur les ports arrière. Les ports arrière seront couverts par les bûches restantes.



ÉTAPE 4



ÉTAPE 5



BARRIÈRE DE SÉCURITÉ

⚠ AVERTISSEMENT :

- UNE BARRIÈRE CONÇUE POUR RÉDUIRE LES RISQUES DE BRÛLURES PROVENANT DE LA VITRE CHAUDE EST FOURNIE AVEC CET APPAREIL ET DEVRA ÊTRE INSTALLÉE POUR PROTÉGER LES ENFANTS ET AUTRES PERSONNES À RISQUE. SI LA BARRIÈRE EST ENDOMMAGÉE, ELLE DEVRA ÊTRE REMPLACÉE PAR UNE BARRIÈRE PROVENANT DU FABRICANT DE CET APPAREIL.
- SEUL LE JEU DE DOUBLURES CERTIFIÉ AVEC CET APPAREIL DEVRA ÊTRE UTILISÉ.
- SEULES DES PORTES HOMOLOGUÉES DEVRONT ÊTRE UTILISÉES AVEC L'APPAREIL.
- N'UTILISEZ PAS CET APPAREIL SANS BARRIÈRE DE SÉCURITÉ.



ÉTAPE 6

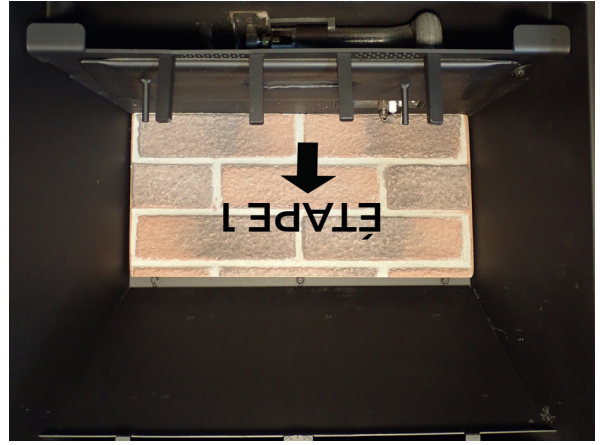


ÉTAPE 7

INSTALLATION DE LA CUISINIÈRE

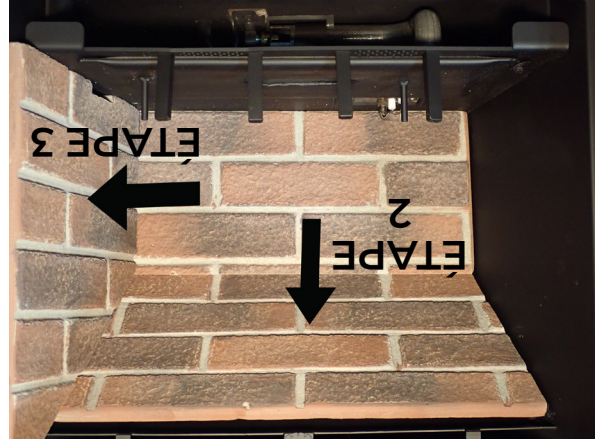
PLACEMENT DE LA DOUBLURE

ÉTAPE 1
Seul le jeu de doublures certifié avec cet appareil devra être utilisé.

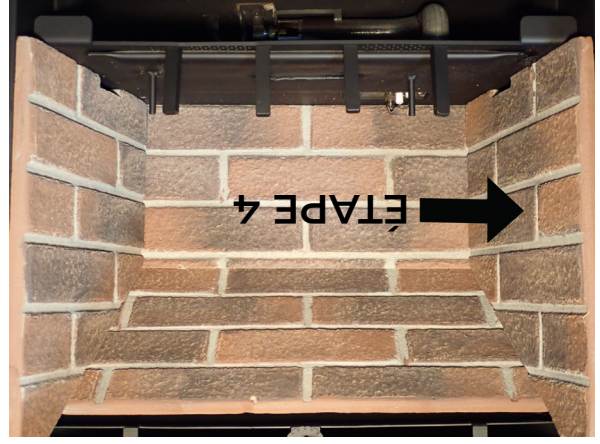


ÉTAPE 2 ET 3

REMARQUE : Lorsqu'il est correctement installé, le panneau latéral est conçu pour maintenir le panneau supérieur en place.



ÉTAPE 4



PLACEMENT DES BÛCHES

ATTENTION :

NE PLACEZ PAS DE BÛCHES DIRECTEMENT SUR LES TROUS DES ORIFICES DU BRÛLEUR. UN MAUVAIS PLACEMENT DES BÛCHES PEUT AFFECTER L'APPARENCE DE LA FLAMME ET CAUSER UNE SUIE EXCESSIVE SUR LES BÛCHES ET LA VERRRE.

En cas de conversion au gaz LP (propane), effectuez la conversion avant d'installer l'ensemble de bûches. Suivez les instructions de conversion incluses dans la trousse.
Seul le jeu de doublures certifié avec cet appareil devra être utilisé. REMARQUE : Cet appareil ne devrait pas fonctionner sans que les bûches, les entourages et les revêtements approuvés ne soient correctement installés. Une utilisation sans les bûches, les entourages et les doublures correctement installés peut endommager l'appareil.

ÉTAPE 1

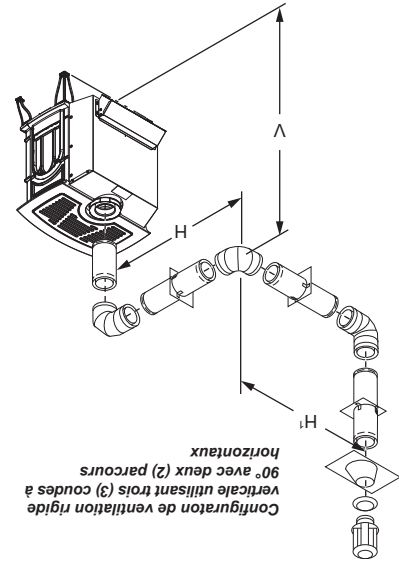


ÉTAPE 2

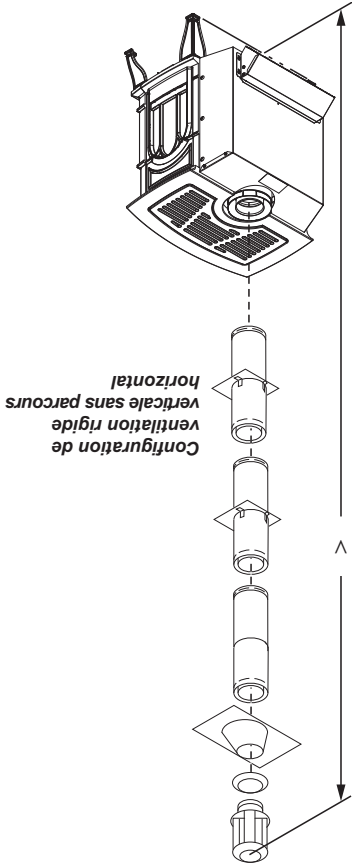
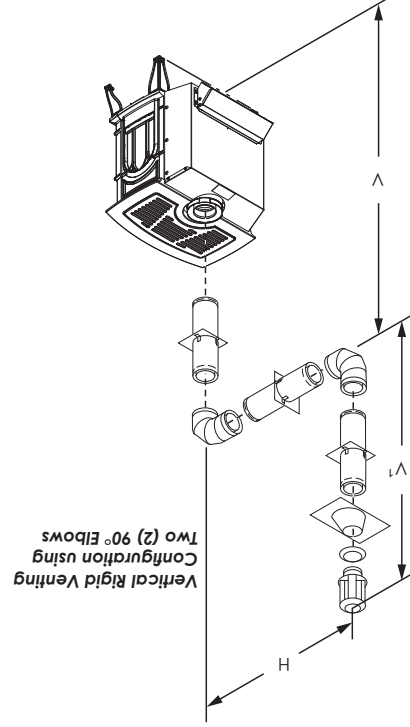


CONFIGURATIONS DE TERMINAISON VERTICALE

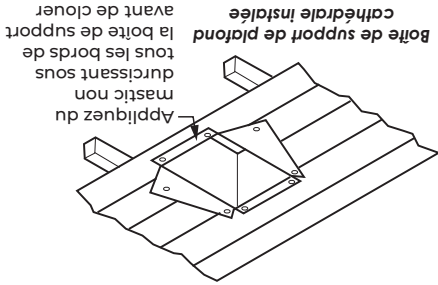
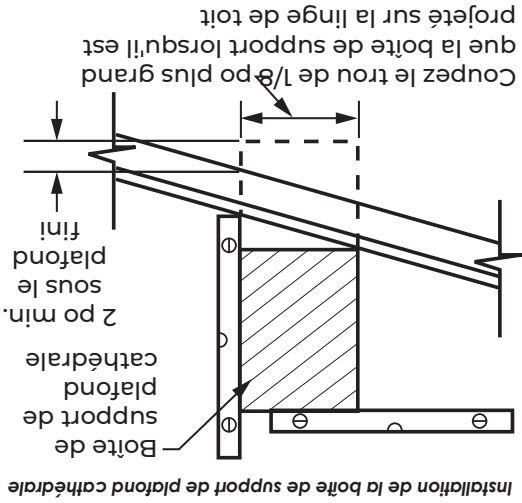
Les trois figures suivantes montrent les trois configurations différentes pour la terminaison verticale.



Ventilation avec deux (2) coudes à 90°	
Horizontal maximum (H + H ₁)	Vertical minimum (V)
24 po (610 mm)	44-3/4 po (1137 mm)
20 po (6 m)	98-3/4 po (2508 mm)



Ventilation avec trois (3) coudes à 90°	
Horizontal maximum (H + H ₁)	Vertical minimum (V)
24 po (610 mm)	52-1/2 po (1334 mm)
20 po (6 m)	98-3/4 po (2508 mm)



1. Retirez les bardaux ou toute autre couverture de toit au besoin pour couper le trou rectangulaire de la boîte de support. Marquez le contour de la boîte de support du plafond cathédrale sur le revêtement du toit en utilisant le trou de localisation comme point central.
2. Coupez le trou de 1/8 po plus grand que le contour de la boîte de support.
3. Abaissez la boîte de support à travers le trou du toit jusqu'à ce que le fond de la boîte dépasse d'au moins 2 po (50 mm) sous le plafond. Alignez la boîte de support verticalement et horizontalement à l'aide d'un niveau. Clouez temporairement la boîte de support en place à travers les murs intérieurs et dans la tôle du toit.
4. À l'aide de cisailles, coupez la boîte de support des coins supérieurs jusqu'à la ligne de toit et pliez les rabats résultants sur la tôle du toit. Appliquez un cordon de mastic non durcissant autour des bords supérieurs de la boîte de support pour faire un joint entre la boîte et le toit. Clouer en place avec des clous à toiture. Retirez tout matériau combustible qui pourrait se trouver à l'intérieur de la boîte de support.
5. Terminez l'installation du plafond cathédrale en suivant les mêmes procédures décrites aux étapes 2 à 6 pour l'installation d'un plafond plat.

INSTALLATION DU PLAFOND CATHÉDRALE

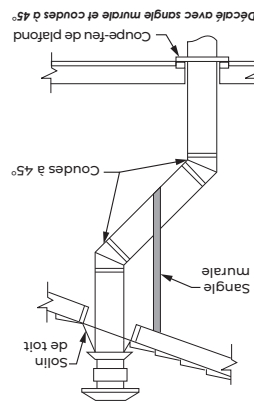
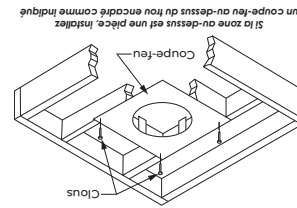
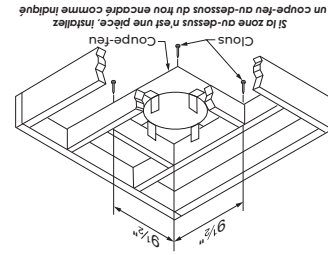
REMARQUE : Vous devez augmenter la hauteur de la ventilation pour les pentes de toit raides. Les arbres à proximité, les lignes de toit adjaçentes, les toits à forte pente et d'autres facteurs similaires peuvent entraîner un mauvais tirant d'eau ou un tirage vers le bas en cas de vents violents. L'augmentation de la hauteur de la ventilation peut résoudre ce problème.

REMARQUE : Si le tuyau de ventilation traverse des zones occupées au-dessus du premier étage, y compris les espaces de rangement et les placards, vous devez le fermer. Vous pouvez encadrer et teler l'enceinte avec des matériaux de construction standard. Assurez-vous de respecter les dégagements minimaux permis vers les combustibles.

Ne remplissez aucun des espaces d'air requis avec de l'isolant.

IMPORTANT :

LISEZ TOUTES LES INFORMATIONS DE LA PAGE PRÉCÉDENTE AVANT DE PLANIFIER CETTE INSTALLATION. LES INSTALLATIONS DE PLAFONDS CATHÉDRALE PEUVENT ÊTRE TRÈS DÉLICATES.



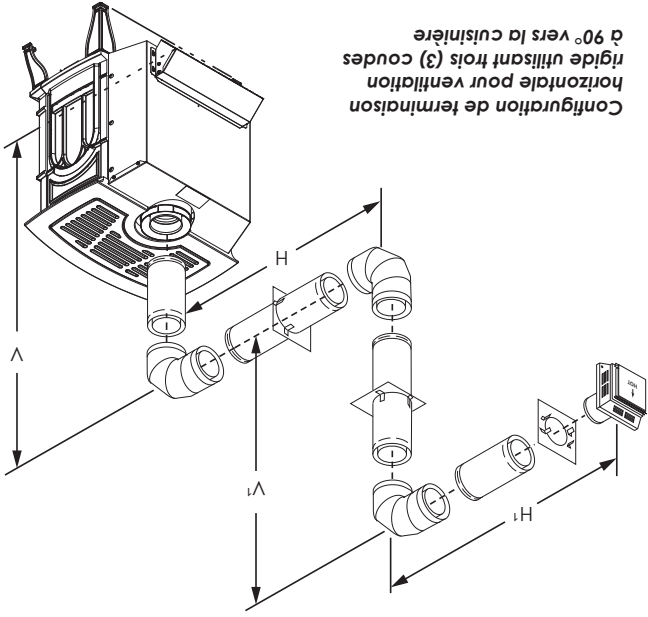
INSTALLATION POUR TERMINAISON VERTICALE

- Déterminez l'itinéraire que votre ventilation horizontale va prendre. Si la poutrelle de plafond, les chevrons de toit ou tout autre encadrement obstruent le système de ventilation, envisagez un décalage. Reportez-vous à la figure ci-dessus pour éviter de couper les membres porteurs de charge. **REMARQUE** : Portez une attention particulière à ces instructions d'installation pour les dégagements requis (espace aérien) aux combustibles lors du passage à travers les plafonds, les murs, les toits, les encintes, les chevrons de grenier, etc. N'emballez pas les espaces d'air avec isolation. Notez également l'élévation verticale maximale du système de ventilation et toutes les limitations horizontales maximales de décalage. Les décalages ne doivent dépasser les paramètres indiqués dans ce manuel.
- Placez la cuisinière à l'endroit désiré. Déposez une conduite d'aplomb du plafond jusqu'à la position de la conduite de sortie du système de brûleur. Marquez le point central où la ventilation pénétrera dans le plafond. Percez un petit trou de localisation à ce point. Déposez une ligne d'aplomb de l'intérieur du toit au trou de localisation dans le plafond. Marquez le point central où la ventilation pénétrera dans le plafond. Percez un petit trou de localisation à ce point.

INSTALLATION DE PLAFOND PLAT

- Découpez un trou carré de 9-1/2 po (241 mm) dans le plafond en utilisant le trou de localisation comme point central. L'ouverture doit être encadrée à 9-1/2 po x 9-1/2 po (241 mm x 241 mm) dimensions intérieures comme indiqué en utilisant du bois de charpente de la même taille que la solive de plafond. Si la zone au-dessus du plafond est un plafond isolé ou une pièce, clouez le coupe-feu par le haut. Cela empêche un relâchement de l'isolant de tomber dans l'espace de dégagement requis. Sinon, installez un coupe-feu sous le trou encadré. Le coupe-feu devrait être installé avec au moins trois clous par côté.
- Assemblez les longueurs souhaitées de tuyau et de coudes nécessaires pour atteindre le conduit du système de brûleur à travers le coupe-feu. Assurez-vous que les raccords du tuyau et du coude sont entièrement verrouillés par torsion.
- Découpez un trou dans le toit en utilisant le trou de localisation comme point central. (Couvrez tous les tuyaux de ventilation ouverts exposés avant de percer un trou dans le toit). Le trou de 9-1/2 po x 9-1/2 po (241 mm x 241 mm) doit être mesuré à l'horizontale. La longueur réelle peut être plus grande en fonction de l'inclinaison du toit. Il doit y avoir un dégagement minimum de 1 po entre le tuyau de ventilation et les matériaux combustibles. Encadrez l'ouverture comme indiqué dans ce manuel.
- Connectez une section de tuyau et prolongez-la à travers le trou. **REMARQUE** : Si un décalage est nécessaire pour éviter les obstructions, vous devez soutenir le tuyau de ventilation tous les trois (3) pieds. Utilisez des sangles murales à cet effet. Dans la mesure du possible, utilisez des coudes à 45° au lieu

- Placez le solin sur la ou les sections de tuyau traversant le toit. Fixez la base du solin au toit et à la charpente avec des clous à toiture. Assurez-vous que le matériau de toiture chevauche le bord supérieur du solin, comme illustré. Il doit y avoir un dégagement minimum de 1 po entre le tuyau de ventilation et les matériaux combustibles.
- Continuez à ajouter des sections de tuyau jusqu'à ce que la hauteur du capuchon de ventilation réponde aux exigences minimales du code du bâtiment.



Ventilation horizontale avec trois (3) coudes à 90°	
Horizontal maximum (H + H1)	24 po (610 mm)
	52-1/2 po (1 334 mm)
	20 pi (6 m)
	98-3/4 po (2 508 mm)
REMARQUE : Ajoutez une élévation de 1/4 po par longueur horizontale de 12 po de tuyau.	
REMARQUE : V + V1 = 20' (6 m) maximum.	

INSTALLATION DE VENTILATION

TERMINAISONS VERTICALES

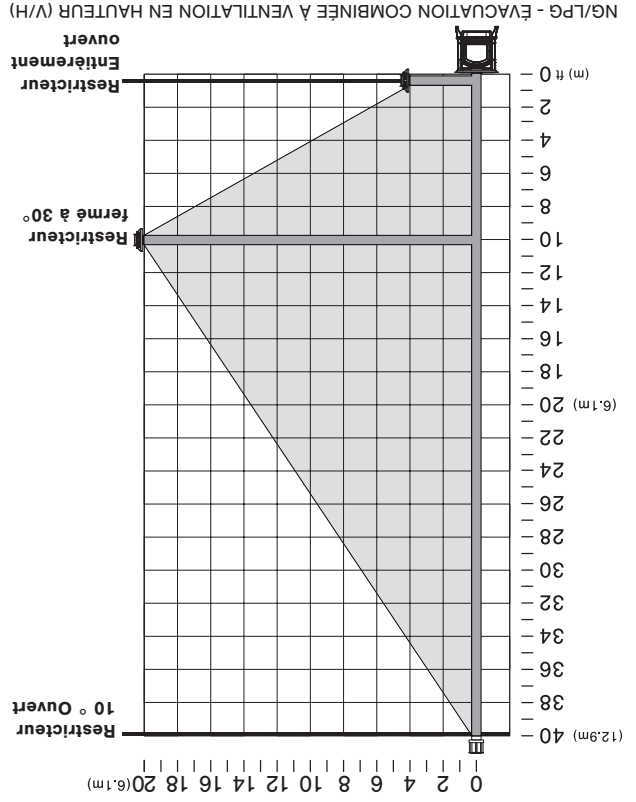
▲ IMPORTANT :
LES SECTIONS DE LA VENTILATION HORIZONTALE DOIVENT MONTER DE 1/4 PO (6 MM) TOUTS LES 12 PO (305 MM) DE PARCOURS.

NG/LPG - Min/Max Terminaisons verticales	Longueur verticale min	1,83 m	6 pi
	Longueur verticale max	40 pi	12,2 m

VENTILATION COMBINÉE

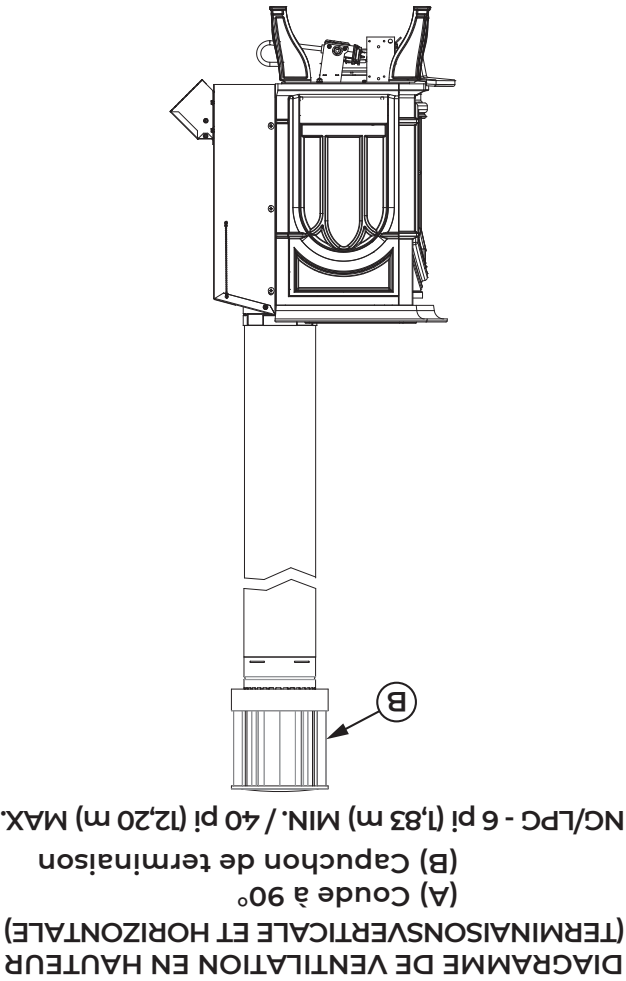
NG/LPG - Terminaisons de ventilation horizontale min.	Ventilation verticale min	Parcours horizontal min (HMIN)	Parcours horizontal max (HMIN)	12 po (304 mm)	12 po (304 mm)	4 pi (1,22 m)
---	---------------------------	--------------------------------	--------------------------------	----------------	----------------	---------------

NG / LPG - Combinaison verticale maximale / horizontale maximale	Élévation verticale max.	Parcours horizontal max.	Longueur totale	10 pi / 3,1 m	20 pi / 6,1 m	30 pi / 9,2 m
	Nombre maximal de coudes à 90° : 4					

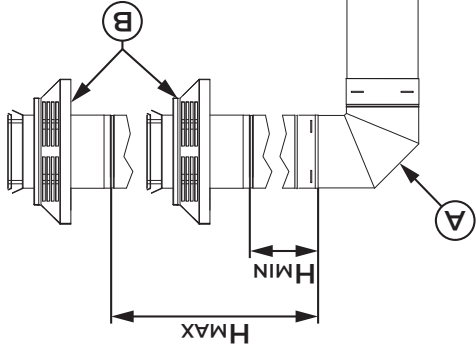


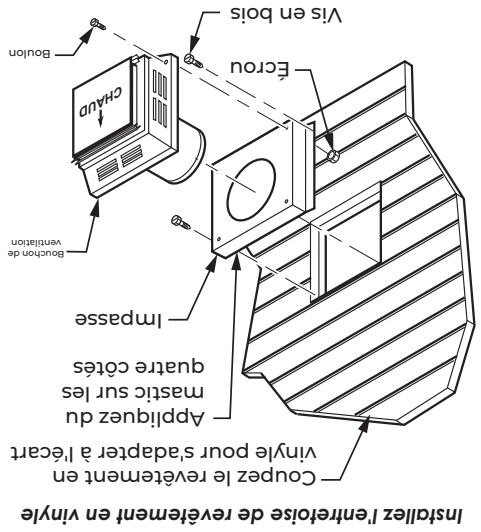
23

NG/LPG - ÉVACUATION COMBINÉE À VENTILATION EN HAUTEUR (V/H)

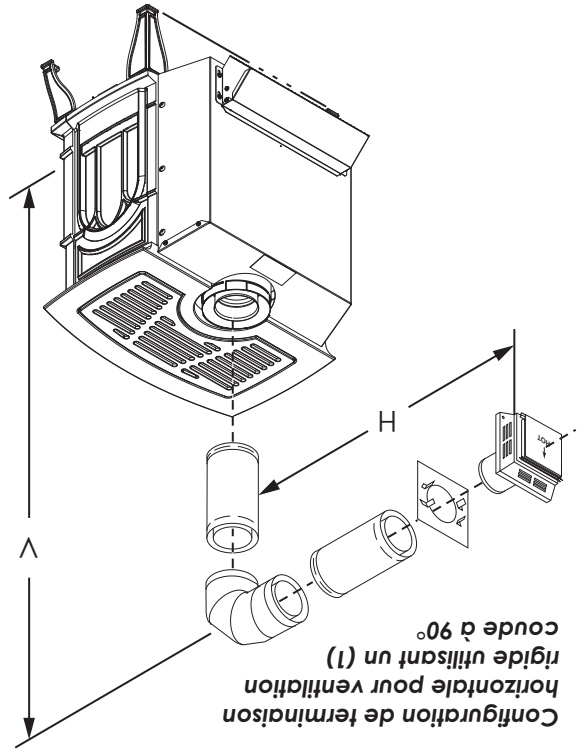
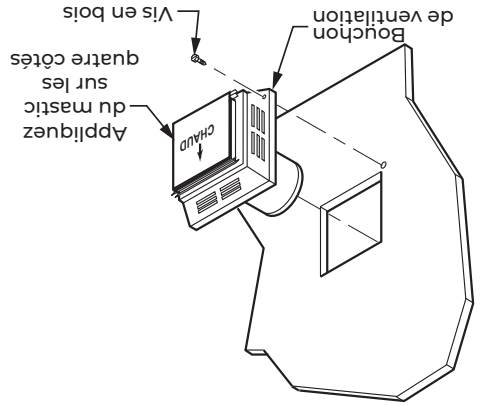


NG/LPG - COUDE À 90° + 6 po (152 mm) HMIN / 4 pi (1,3 m) H



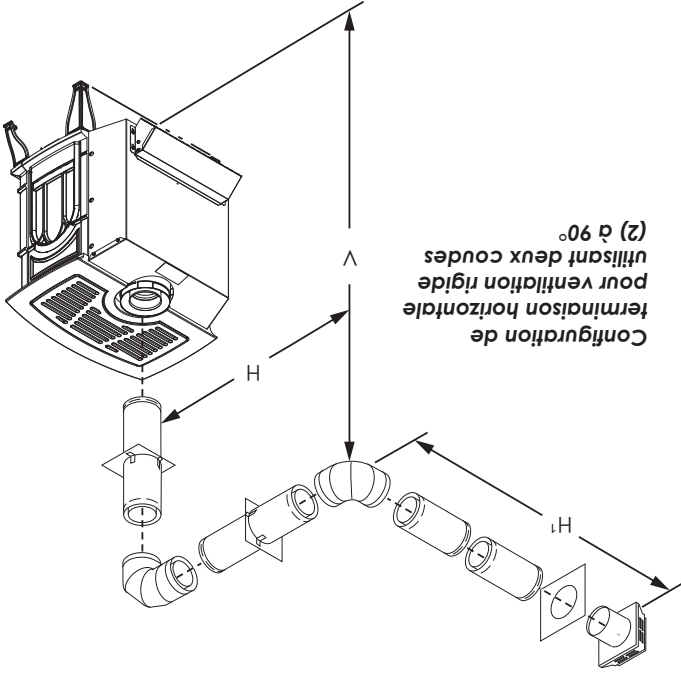


Installez le capuchon de ventilation horizontale



Ventilation horizontale	
Horizontal maximum (H)	24 po (610 mm)
Minimum vertical	54-1/2 po (1384)
20 po (6 m)	102-1/4 po (2597 mm)
REMARQUE : Ajoutez une élévation de 1/4 po par longueur horizontale de 12 po de tuyau.	
REMARQUE : Cette configuration est également à utiliser avec une installation en coin.	

Configuration de terminaison horizontale pour ventilation rigide utilisant deux coudes (2) à 90°



Ventilation horizontale avec deux (2) coudes à 90°	
Horizontal maximum (H + H1)	24 po (610 mm)
Minimum vertical	54-1/2 po (1384)
20 po (6 m)	102-1/4 po (2597 mm)
REMARQUE : Ajoutez une élévation de 1/4 po par longueur horizontale de 12 po de tuyau.	

centre du trou doit s'aligner avec la ligne centrale du tuyau de ventilation rigide horizontal. Coupez un trou carré de 9-1/2 po x 9-1/2 po (241 x 241 mm) à travers un mur extérieur combustible (un trou de 7-1/2 po [190 mm] de diamètre s'il n'est pas combustible). Cadrez si nécessaire.

4. Appliquez une perle de mastic non durcissant autour du bord extérieur du bouchon de ventilation. Placez le bouchon de ventilation au centre du trou de 7-1/2 po (190 mm) ou de 9-1/2 po (241 mm) sur le mur extérieur avec le mot « UP » sur le bouchon de ventilation orienté vers le haut. Assurez-vous que le dégagement approprié de 1" aux combustibles est maintenu. Fixez le bouchon de ventilation avec quatre vis en bois (fournies).

Pour la voie d'évitement en vinyle, le stuc ou l'extérieur en bois, utilisez des impasses de revêtement en vinyle entre le bouchon de ventilation et le mur extérieur. L'impassse du revêtement en vinyle empêche la chaleur excessive de faire fondre le matériau de revêtement en vinyle. Bouloonnez le bouchon de ventilation à l'impassse.

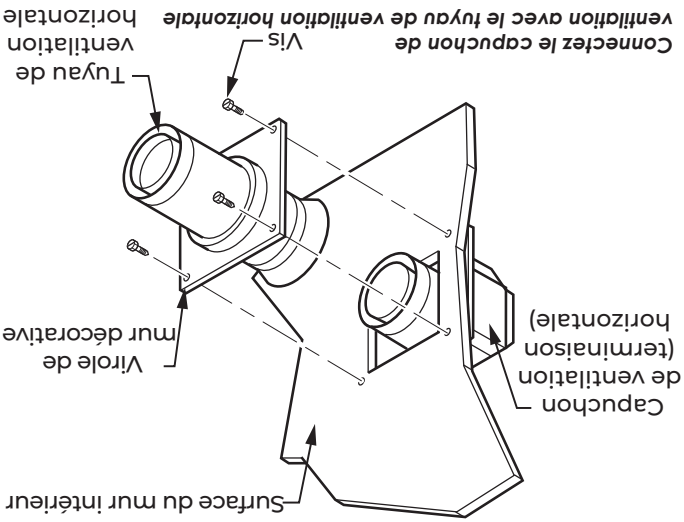
Appliquez le mastic non durcissant autour du bord extérieur de l'impassse au lieu de l'assemblage du bouchon de ventilation. Utilisez les vis en bois fournies pour fixer l'impassse. REMARQUE : Remplacez les vis en bois par des attaches appropriées pour le stuc, la brique, le béton ou d'autres types de revêtement.

5. Faites glisser le démontable mural sur le tuyau de ventilation avant de relier le parcours horizontal au bouchon de ventilation.

6. Déplacez soigneusement la cuisinière avec l'assemblage de ventilation attaché vers le mur et insérez le tuyau de ventilation dans la terminaison horizontale. Le chevauchement du tuyau devrait être d'au moins 1 1/4 po (32 mm). Appliquez du silicone sur la connexion extérieure du tuyau. Attachez toutes les connexions de ventilation avec des vis fournies.

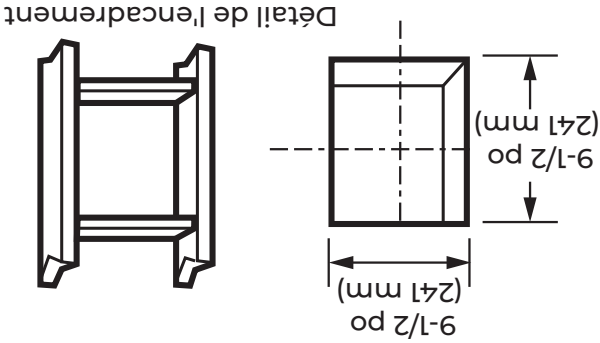
7. Faites glisser le dé mural contre la surface du mur intérieur et fixez-le avec des vis.

CONFIGURATIONS DE TERMINAISON HORIZONTALES

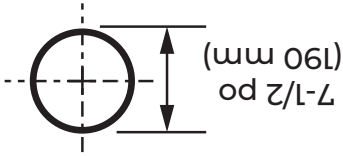


Les figures montrent différentes configurations pour la ventilation et la terminaison horizontale. Chaque figure comprend un graphique avec un exemple de dimensions horizontales maximales et verticales minimales prises à partir du graphique « Configurations de ventilation acceptables » dans ce manuel. REMARQUE : Le parcours horizontal contrôle la hauteur verticale minimale (c.-à-d. plus le parcours horizontal est long, plus la terminaison sera élevée). Suivez le graphique « Configurations de ventilation acceptables » dans ce manuel. Toutes les terminaisons horizontales nécessitent une élévation de 1/4 po (6 mm) par 12 po (305 mm) de parcours horizontal.

Ouverture de ventilation pour murs combustibles



Ouverture de ventilation pour murs combustibles

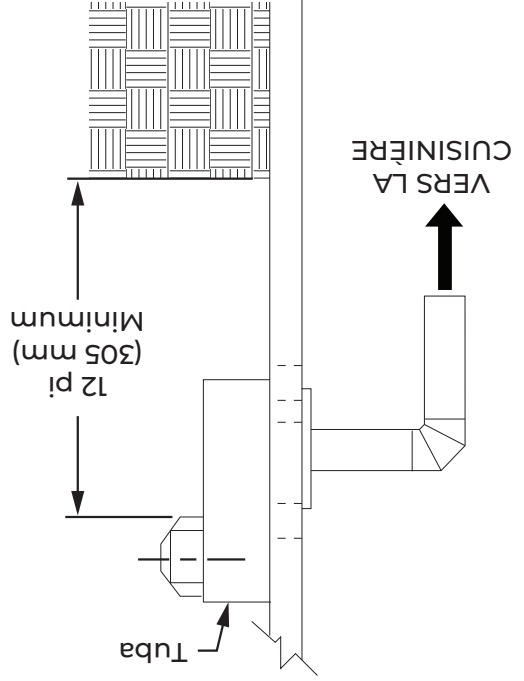


Directives de réglage du restricteur			
Aspect de la flamme	Problème de tirage	Solution	
Courte(s), scintillante(s)	Tirage excessif ou restriction insuffisante	Ajustez le restricteur pour en fermer plus	
Lifting ou fantôme *	Tirage insuffisant	Ajustez le restricteur pour en ouvrir plus	
* Si les flammes continuent de s'élever ou de devenir fantômes après l'ouverture du restricteur et la vérification de l'installation de la ventilation, coupez l'alimentation en gaz et appelez un(e) technicien(ne) qualifié(e).			

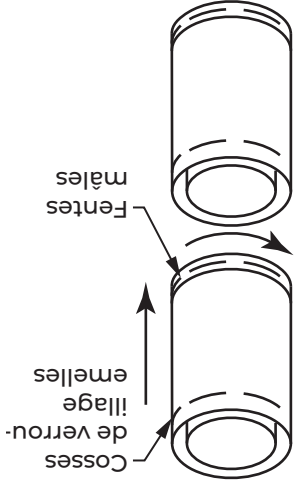
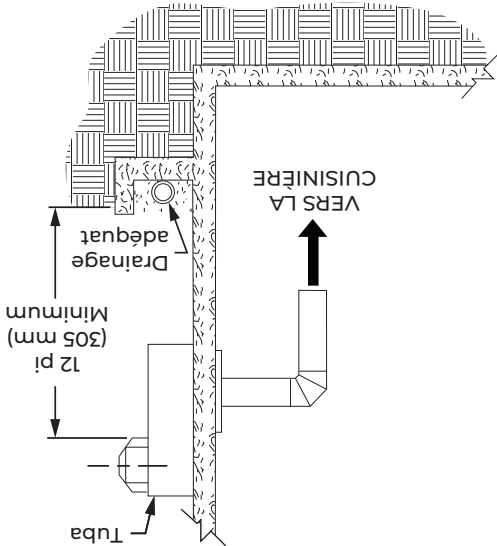
INSTALLATION POUR TERMINAISON HORIZONTALE

1. Déterminez l'itinéraire que votre ventilation horizontale va prendre. REMARQUE : L'emplacement de la terminaison de ventilation horizontale sur le mur extérieur doit être conforme à tous les codes du bâtiment locaux et nationaux.

Des terminaisons de tuba sont disponibles pour les terminaisons nécessitant une élévation verticale à l'extérieur du bâtiment. Les figures suivent les mêmes procédures d'installation que celles utilisées pour les terminaisons horizontales standard. Si vous installez la terminaison du tuba sous le niveau du sol (applications au sous-sol), vous devez fournir un drainage adéquat pour empêcher l'eau de pénétrer dans la terminaison du tuba. Ne remblayez pas autour de la terminaison du tuba.



2. Les tuyaux et raccords de ventilation rigides ont des raccords spéciaux à verrouillage par rotation. Assemblez la combinaison désirée de tuyau et de coudes à l'adaptateur d'appareil avec les joints de tuyau orientés vers le mur ou le sol. Procédure de verrouillage par rotation : Les extrémités femelles des tuyaux et des raccords ont trois pattes de verrouillage (indentations). Ces pattes glissent directement dans les fentes correspondantes sur l'extrémité mâle des tuyaux et des raccords adjacents. Poussez les sections de tuyau ensemble et tournez une section dans le sens des aiguilles d'une montre d'environ un quart de tour jusqu'à ce que les sections soient complètement verrouillées. REMARQUE : Les parcours horizontaux du tuyau de ventilation doivent être supportés tous les trois (3) pieds (914 mm). Utilisez des sangles murales à cet effet.



3. Fixez l'assemblage du tuyau de ventilation à la cuisinière. Placez la cuisinière devant son emplacement permanent pour s'assurer d'un minimum de dégagements. Marquez le mur pour un trou carré de 9-1/2 po (241 mm) (pour les matériaux noncombustibles tels que le bloc de maçonnerie ou le béton, un trou de 7-1/2 po [190 mm] de diamètre est acceptable). Le

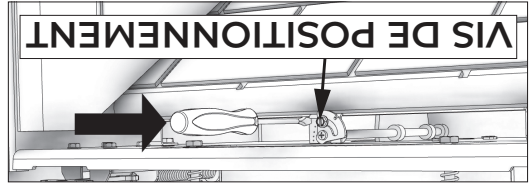
⚠ AVERTISSEMENT :

UNE MAUVAISE INSTALLATION DE LA VENTILATION PEUT PROVOQUER UN SOULÈVEMENT OU UN ASPECT « DANSANT » DES FLAMMES DU BRÛLEUR. CONTRÔLEZ VISUELLEMENT L'ASPECT DE LA FLAMME APRÈS LE RÉGLAGE DU RESTRICTEUR, AFIN D'EN GARANTIR LE BON FONCTIONNEMENT.

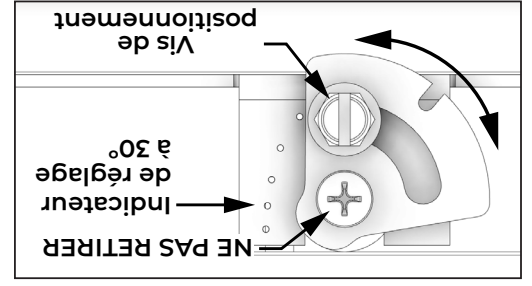
TOUT RÉGLAGE DU RESTRICTEUR DOIT ÊTRE EFFECTUÉ PAR UN(E) TECHNICIEN(NE) CERTIFIÉ(E). Réglez le restricteur pour obtenir l'aspect de flamme souhaité sur tout système de ventilation de 6 pieds (1,83 m) de tuyau vertical ou plus. Les terminaisons verticales peuvent présenter une flamme active et compacte. Si cet aspect n'est pas souhaitable, le restricteur peut nécessiter un réglage. Laissez passer 15 minutes de combustion avant de procéder à tout réglage. Réglez le restricteur comme indiqué.

1. Retirez la façade de la cuisinière et l'assemblage du cadre en verre de la cuisinière (consultez la section « Assemblage du cadre en verre » de ce manuel).

2. Passez la main dans la chambre de combustion et utilisez une douille de 1/4 po ou un tournevis à tête plate pour desserrer la vis de position de réglage comme indiqué. Faites pivoter le restricteur jusqu'au réglage souhaité puis resserrer la vis de position de réglage. **REMARQUE :** Le restricteur est réglé sur la position complètement ouvert depuis l'usine. Pour régler le restricteur à 30°, alignez le bord droit du restricteur avec l'indicateur de réglage à 30° situé à droite du restricteur. Le restricteur est à 30° lorsque le bord droit du restricteur est aligné avec le deuxième trou à partir du haut.



Remarque : Les paramètres du restricteur peuvent varier en fonction de configurations de ventilation uniques au-delà de celles décrites dans ce manuel.



⚠ AVERTISSEMENT :

POUR ÉVITER DES DOMMAGES MATÉRIELS OU CORPORELS, LAISSEZ REFFROIDIR AVANT D'EFFECTUER UN RÉGLAGE.

Ventilation min (Min Min)

Ventilation supérieure, coude à 90° à 12 po horizontal.

Réglage du restricteur complètement ouvert.

Aucun ajustement nécessaire au-delà du réglage d'usine.

Ventilation verticale minimale à horizontale maximale (Min Max)

Ventilation supérieure à 12 po vertical à coude à 90° à 4 pieds horizontal.

Réglage du restricteur complètement ouvert. Aucun ajustement nécessaire au-delà du réglage d'usine.

Ventilation verticale maximale à horizontale maximale (Max Max)

Ventilation supérieure à 10 pieds vertical à coude à 90° à 20 pieds horizontal.

Réglage du restricteur 30° ouvert

Ventilation verticale maximale (Max Vert)

Ventilation supérieure, 40 pi vertical.

Réglage du restricteur 10° (pour arrêté) ouvert.

⚠ AVERTISSEMENT :

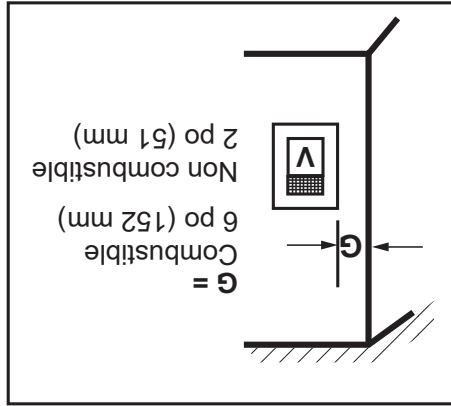
NE RETIREZ PAS LES VIS! NE FAITES PAS FONCTIONNER CET APPAREIL SI UNE OU LES DEUX VIS NE SONT PAS EN POSITION! **NE PAS RETIRER CETTE VIS**

DÉGAGEMENTS DE TERMINAISON

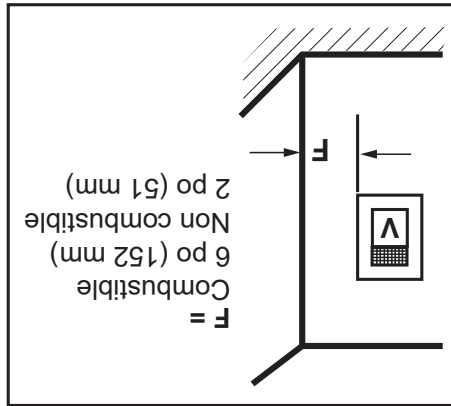
Dégagements de terminaison pour les bâtiments avec des extérieurs combustibles et incombustibles.

VENTILATIONS ADMISSIBLES.

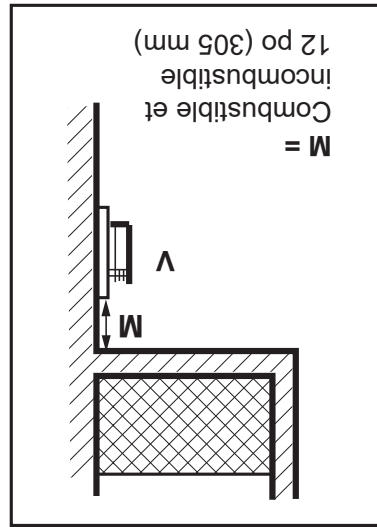
Coin intérieur



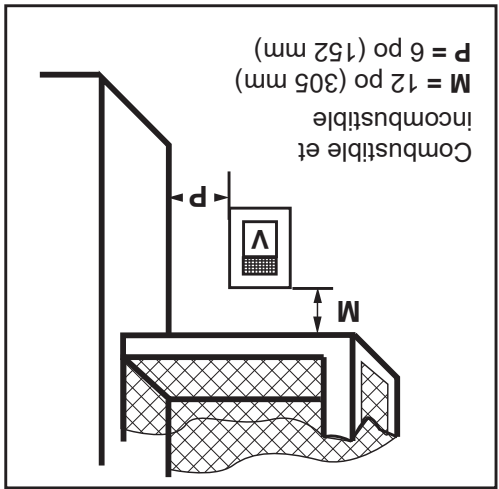
Coin extérieur



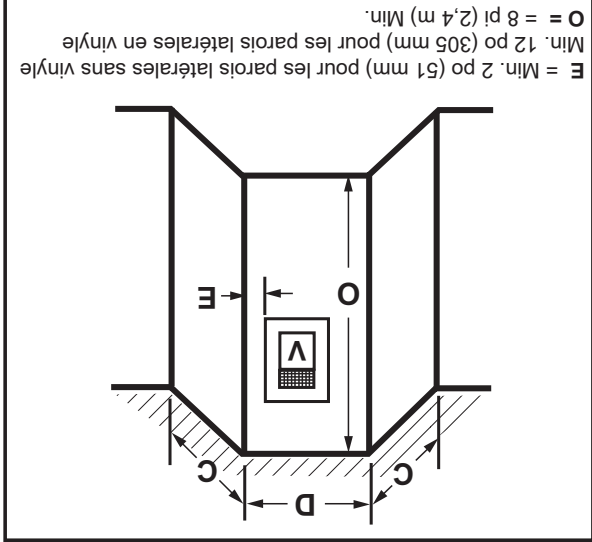
Balcon - sans paroi latérale



Balcon - avec paroi latérale perpendiculaire

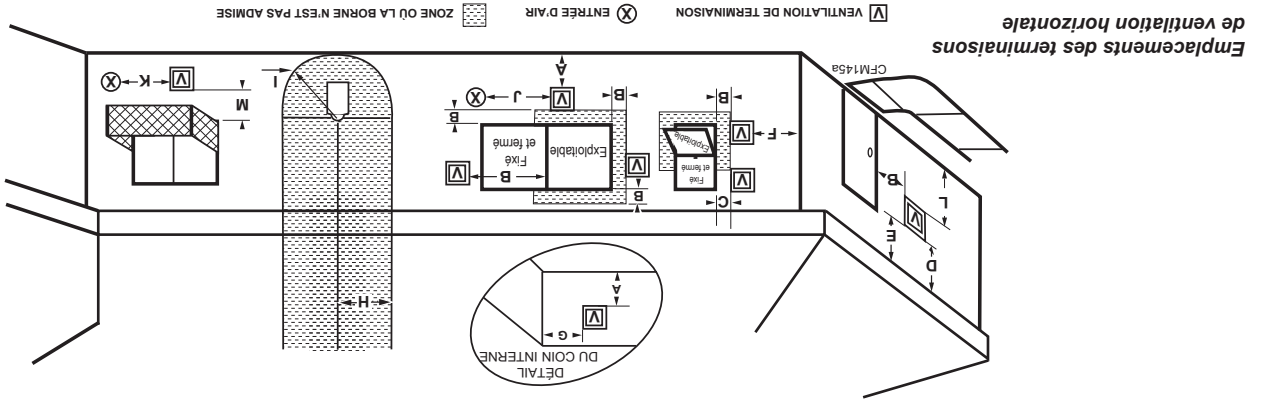


Applications d'alcôve



Nombre de capuchons		D _{Min.}	C _{Max.}
1	3 pi (914 mm)	2 x D _{Actual}	
2	6 pi (1,8 m)	1 x D _{Actual}	
3	9 pi (2,7 m)	2/3 x D _{Actual}	
4	12 pi (3 m)	1/2 x D _{Actual}	
D _{Min.} = # of capuchons de terminaison x 3		C _{Max.} = (2 / # capuchons de terminaison) x D _{Actual}	

INFORMATIONS DE VENTILATION GÉNÉRALE - EMBLACEMENT DE TERMINAISON



Installations canadiennes¹ / Installations américaines²

A = Dégagement au-dessus d'une rampe, d'une véranda, d'une galerie, d'une terrasse ou d'un balcon	12 po 30 cm	12 po (30cm)
B = Dégagement à côté des fenêtres ou des portes qui peuvent être ouvertes	6 po (15 cm) pour les appareils < 10 000 Btu/h (3 kW), 12 po (30 cm) pour les appareils > 10 000 Btu/h (3 kW) et < 100 000 Btu/h (30 kW), 36 po (91 cm) pour les appareils > 100 000 Btu/h (30 kW)	6 po (15 cm) pour les appareils < 10 000 Btu/h (3 kW), 9 po (23 cm) pour les appareils > 10 000 Btu/h (3 kW) et < 100 000 Btu/h (30 kW), 12 po (30 cm) pour les appareils > 50 000 Btu/h (15 kW), 36 po (91 cm) pour les appareils > 100 000 Btu/h (30 kW)
C = Espace de dégagement des fenêtres fermées en permanence	12 po (305 mm) recommandés pour empêcher la condensation de la fenêtre	12 po (305 mm) recommandés pour empêcher la condensation de la fenêtre
D = Espace de dégagement vertical d'une soffite ventilée située au-dessus du terminal et avec une distance horizontale de 610 cm (2 pi) à partir du centre du terminal	18 po (458 mm)	18 po (458 mm)
E = Dégagement d'un soffite non ventilé	12 po (305 mm)	12 po (305 mm)
F = Dégagement d'un angle extérieur	voir la page suivante	voir la page suivante
G = Dégagement d'un angle intérieur **	voir la page suivante	voir la page suivante
H = Dégagement de chaque côté de l'axe prolongé au-dessus de l'assemblage du compteur/régulateur	3 pi (91 cm) sur une hauteur de 15 pi (5 m) au-dessus de l'assemblage du compteur/régulateur	3 pi (91 cm) sur une hauteur de 15 pi (5 m) au-dessus de l'assemblage du compteur/régulateur
I = Dégagement pour l'entretien de la sortie d'évent du régulateur	3 pi (91 cm)	3 pi (91 cm)
J = Espace de dégagement de l'entrée d'air non mécanique du bâtiment ou l'entrée d'air de combustion d'un autre appareil	6 po (15 cm) pour les appareils < 10 000 Btu/h (3 kW), 12 po (30 cm) pour les appareils > 10 000 Btu/h (3 kW) et < 100 000 Btu/h (30 kW), 36 po (91 cm) pour les appareils > 100 000 Btu/h (30 kW)	6 po (15 cm) pour les appareils < 10 000 Btu/h (3 kW), 9 po (23 cm) pour les appareils > 10 000 Btu/h (3 kW) et < 100 000 Btu/h (30 kW), 12 po (30 cm) pour les appareils > 50 000 Btu/h (15 kW), 36 po (91 cm) pour les appareils > 100 000 Btu/h (30 kW)
K = Espace de dégagement de l'entrée d'air mécanique	6 pi (1,83 m)	3 pi (91 cm) au-dessus, si à moins de 10 pi (3 m) horizontalement. Massachussets : 10 pi (3 m)
L = Espace de dégagement au-dessus du trottoir en pavé ou au-dessus d'une allée pavée sur une propriété publique	7 pi (2,13 m) †	7 pi (2,13 m) †
M = Dégagement au-dessus d'une véranda, d'une galerie, d'une terrasse ou d'un balcon	12 po (30 cm) ‡	12 po (30 cm) ‡

1 Selon le présent code d'installation du gaz naturel et du propane CAN/CSA-B-149.1

2 Selon le présent du National Fuel Gas Code, ANSI Z223.1/NFPA 54

† Une sortie d'évent ne doit pas donner directement au-dessus d'un trottoir ou d'une allée pavée commune se trouvant entre deux habitations individuelles et servir les deux logements.

‡ Permis seulement si la véranda, le porche ou la terrasse est entièrement ouvert sur un minimum de 2 côtés sous le plancher.

3. Nous n'assumons aucune responsabilité pour le mauvais fonctionnement de l'appareil lorsque le système de ventilation ne répond pas à ces exigences.

2. Le système de ventilation spécial utilisé sur les poêles à évacuation des dégagements différents.

REMARQUE : 1. Les codes ou réglementations locaux peuvent exiger des dégagements différents.

Hauteur minimale (H) provenant du toit		Pente du toit	
		Pieds	Mètres
De 20/12 à 21/12	8,0	2,44	
De 18/12 à 20/12	7,5	2,27	
De 16/12 à 18/12	7,0	2,13	
De 14/12 à 16/12	6,0	1,83	
De 12/12 à 14/12	5,0	1,52	
De 11/12 à 12/12	4,0	1,22	
De 10/12 à 11/12	3,25	0,99	
De 9/12 à 10/12	2,5	0,76	
De 8/12 à 9/12	2,0	0,61	
De 7/12 à 8/12	1,5	0,46	
De 6/12 à 7/12	1,25	0,38	
Plat à 6/12	1,0	0,30	

CONSIDÉRATIONS RELATIVES À LA VENTILATION - DECOLLAGE VERTICAL

Remarque : TOUTES les considérations relatives à la ventilation

- Les dimensions de la ventilation sont basées sur l'utilisation des coudes Dura Vent. Les dimensions du rayon de la courbe du coude peuvent varier lors de l'utilisation d'autres marques. En général, les autres marques ont un rayon légèrement plus grand.
- La section minimale de tuyau vertical de 24 pouces est requise à l'unité. Reportez-vous à la section « Tableau de ventilation » de ce manuel pour connaître les parcours horizontaux autorisés.
- Un dégagement de 2 pouces aux combustibles est requis au-dessus du tuyau horizontal. Inclinez le tuyau horizontal vers le haut de 1/4 pouce par pied. Un dégagement de 1 pouce est requis autour des côtés et du bas du tuyau horizontal et autour du tuyau vertical.

- Lors du calcul des longueurs de tuyau réelles, soustrayez environ 1-1/2 pouce pour le joint de tuyau - par exemple, une section de tuyau de 12 pouces se verra ajouter environ 10 - 1/2 pouces au total.

SORTIE PAR LE HAUT UNIQUEMENT

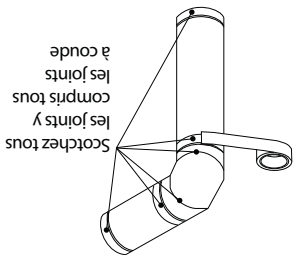
Cet appareil est fourni avec une sortie de ventilation par le haut et ne doit PAS être converti sur place en une sortie de ventilation arrière (voir le tableau de ventilation dans ce manuel).

ÉTANCHÉITÉ DE VENTILATION

Scellez tous les joints externes des tuyaux coaxiaux et des coudes, y compris les joints de coude sectionnés, à l'aide d'un ruban en aluminium auto-adhésif de haute qualité de 2 po de largeur (marque Nashua-322-2 ou similaire). Enroulez complètement le ruban autour de tous les joints et appuyez fermement pour sceller. Un scellant silicone noir de haute température peut être utilisé dans les joints extérieurs en remplacement du ruban en aluminium. Assurez-vous que tous les joints de tuyaux ont un chevauchement d'au moins 1/4 po.

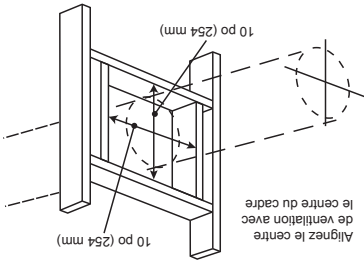
ÉPAISSEUR DU MUR

La ventilation de l'appareil convient pour pénétrer dans un mur combustible allant jusqu'à 8 po d'épaisseur. Un mur incombustible peut être de n'importe quelle épaisseur allant jusqu'au parcours horizontal maximal du tuyau de ventilation autorisé pour l'installation en question.



VENTILATION DE CHARPENTE DANS LES MURS ET PLAFONDS COMBUSTIBLES

Lors de la pénétration à travers des murs et des plafonds combustibles, encadrez une ouverture d'au moins 10 po x 10 po et assurez-vous que l'isolant est maintenu à l'écart du tuyau de ventilation à l'aide d'un coupe-feu mural ou d'un écran d'isolation du grenier. Suivez les instructions d'installation fournies avec les composants de ventilation individuels.

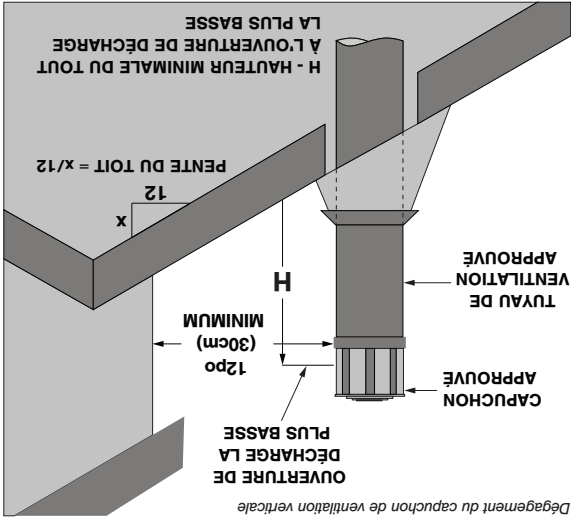


ÉTANCHÉITÉ AUX INTÉMPÉRIES ET PARE-VAPEUR

Il est de la responsabilité de l'installateur de s'assurer que les installations de ventilation à travers les murs extérieurs sont calfeutrées et imperméabilisées de manière à :

- Empêcher l'eau de pluie de pénétrer dans le mur du côté des intempéries en calfeutrants adéquatement la plaque de ventilation extérieure sur la surface du mur extérieur.
- Empêcher l'humidité à l'intérieur de la maison de pénétrer dans la structure du mur en veillant à ce que la plaque murale intérieure soit correctement scellée au pare-vapeur intérieur.
- Empêcher l'eau de pluie et l'humidité de pénétrer dans les murs plaques murales intérieures et extérieures. Nous recommandons l'utilisation d'un scellant polyuréthane de haute qualité.

Tous les parcours de tuyaux horizontaux doivent être gradués à travers le mur, peut être légèrement dégradés vers le bas pour empêcher la migration de l'eau.



AVERTISSEMENT :
CET APPAREIL NE DOIT NI PARTAGER NI ÊTRE CONNECTÉ À UN CONDUIT DE FUMÉE DESSERVANT UN AUTRE APPAREIL.

TERMINAISON DU CAPUCHON DE VENTILATION VERTICALE

- NOMBRE MAXIMAL DE COUDES À 90° : 4
- Pour chaque coude à 90° supplémentaire utilisé après le premier coude à 90°, vous devez soustraire 3 pi (91,4 cm) de l'évacuation maximale autorisée.
- Pour chaque coude à 45° utilisé, vous devez soustraire 1 1/2 pi (457 mm) de l'évacuation maximale autorisée.
- Deux (2) coudes à 45° peuvent être utilisés à la place d'un (1) coude à 90°.

UTILISATION DE COUDES

Dégagements de la section du tuyau horizontal		
Toute ventilation approuvée		
Haut	3 po	76 mm
Bas	1 po	25 mm
Côtés	1 po	25 mm

Dégagements de la section du tuyau vertical		
Toute ventilation approuvée		
Côtés	1 po	25 mm

Ces coupe-feu muraux peuvent être isolés à l'aide de produits d'isolation répertoriés comme non combustibles selon la norme ASTM E 136. REMARQUES : Les écrans d'isolation pour grenier peuvent être isolés à l'aide de produits d'isolation répertoriés comme non combustibles selon la norme ASTM E 136.

REMARQUES : Des produits de coupe-feu mural conformes au dégagement requis de 1 po (25 mm) aux matériaux combustibles doivent être installés pour tous les parcours de ventilation horizontale qui traversent des murs intérieurs ou extérieurs.

DÉGAGEMENTS DE LA SECTION DE VENTILATION

- La hauteur et l'aspect de la flamme varieront selon la configuration de la ventilation et le type de combustible utilisé.
- Consultez le manuel d'installation de ventilation du fabricant pour les instructions d'installation complètes. L'installation de ventilation doit être conforme aux exigences de ventilation et aux restrictions énoncées dans le présent manuel.
- Fournissez un moyen de vérifier visuellement le raccordement de ventilation à l'appareil après son installation.

Consultez les codes d'installation locaux et nationaux pour vous assurer que l'air de combustion et de ventilation est disponible. Les exigences de ventilation s'appliquent au gaz naturel et au gaz propane.

EXIGENCES DE VENTILATION

Olympia	VDV-HC04	Horizontal
BDM	DVR-HC	Horizontal
ICC	TM-4SVT	Vertical
	TM-4RHT	Horizontal
	TM-4HT	Horizontal
	TM-4SST14	Horizontal
DuraVent	46DVA-4C	Vertical
	46DVA-VCH	Vertical
	46DVA-H2-SNK14	Horizontal
	46DVA-SNK14	Horizontal
	46DVA-HSCH	Horizontal
	46DVA-H2	Horizontal
	46DVA-HC	Horizontal

TERMINAISONS DE VENTILATION APPRUVÉES

AVERTISSEMENT :
 MAINTENEZ TOUJOURS DES DÉGAGEMENTS MINIMAUX AUTOUR DES SYSTÈMES DE VENTILATION. LES DÉGAGEMENTS MINIMAUX AUX COMBUSTIBLES POUR LES TUYAUX DE VENTILATION HORIZONTALE SONT DE 2 po EN HAUT ET DE 1 po SUR LES CÔTÉS ET EN BAS DU SYSTÈME DE VENTILATION. POUR LES BUTÉES MURALES, UN DÉGAGEMENT MINIMUM DE 1 po TOUT AUTOUR DU TUYAU DOIT ÊTRE MAINTENU. N'EMBALLER PAS LES ESPACES D'AIR OUVERTS AVEC DE L'ISOLANT OU D'AUTRES MATÉRIAUX. CELA POURRAIT PROVOQUER UNE MONTÉE DE TEMPÉRATURE ET PRÉSENTER UN RISQUE D'INCENDIE.

POUR LA TERMINAISON HORIZONTALE

Sélectionnez le niveau souhaité d'élévation verticale. Le parcours horizontal de ventilation doit avoir une élévation de 1/4 po pour chaque 12 po de parcours vers la terminaison. Vous pouvez utiliser jusqu'à trois coudes à 90° dans cette configuration de ventilation. Reportez vous aux configurations de terminaison horizontale

POUR LA TERMINAISON VERTICALE

Mesurez la distance entre la sortie du conduit de fumée et le plafond. Ajoutez l'épaisseur du plafond, l'élévation verticale dans un grenier ou un deuxième étage et prévoyez une hauteur de ventilation suffisante au-dessus de la ligne de toit. Vous pouvez utiliser un ou deux coudes à 90° dans cette configuration de ventilation. Reportez vous aux configurations de terminaison verticale REMARQUE : Vous pouvez utiliser deux coudes à 45° à la place d'un coude à 90°. Vous devez suivre les rapports élévation / parcours lorsque vous utilisez des coudes à 45°. L'appareil est homologué pour une utilisation avec trois coudes à 90° maximum ou une combinaison de coudes de 90° et à 45° jusqu'à un maximum de 270°. Pour les applications à deux étages, des coupe-étage sont requis à chaque étage. Si un décalage est nécessaire dans le grenier, des tuyaux et des coudes supplémentaires seront nécessaires. Vous pouvez utiliser un châssis avec une terminaison de ventilation avec un tuyau exposé à l'extérieur de la maison. Reportez vous à l'installation du système de ventilation dans un châssis ci-dessous. Il est très important que le système de ventilation maintienne son équilibre entre l'admission d'air de combustion et l'évacuation des gaz de combustion. Certaines limitations s'appliquent aux configurations de ventilation et doivent être strictement respectées.

INSTALLATION D'UN SYSTÈME DE VENTILATION DANS UN CHÂSSIS EXTERIEUR

Un châssis est une structure en forme de boîte verticale construite pour enfermer la ventilation qui longe l'extérieur d'un bâtiment. Un châssis est nécessaire pour une telle ventilation.

⚠ AVERTISSEMENT :

NE FAITES JAMAIS FONCTIONNER LE NIVEAU DU TUYAU DE VENTILATION OU VERS LE BAS. CELA PEUT PROVOQUER UN DES TEMPÉRATURES EXCESSIVES POUVANT PROVOQUER UN INCENDIE.

REMARQUE : Lors de l'installation dans un châssis, vous devrez isoler le châssis comme vous le feriez pour les murs extérieurs de votre maison. Ceci est particulièrement important dans les climats froids. Le dégagement minimum entre les tuyaux de ventilation et les matériaux combustibles tels que l'isolation est de 1 po.

⚠ AVERTISSEMENT :

LE TRAITEMENT DES COUPE-FEU ET LA CONSTRUCTION DU CHÂSSIS PEUVENT VARIER AVEC LE TYPE DE BÂTIMENT. CES INSTRUCTIONS NE SE SUBSTITUENT PAS AUX EXIGENCES DES CODES DE BÂTIMENT LOCAUX. VOUS DEVEZ SUIVRE TOUTS LES CODES DE BÂTIMENT LOCAUX.

⚠ AVERTISSEMENT :

LES SECTIONS HORIZONTALES DE CE SYSTÈME DE VENTILATION EXIGENT UN DÉGAGEMENT MINIMUM DE 2 po DU HAUT DU TUYAU ET DE 1 po MINIMUM VERS LES CÔTÉS ET LE BAS. LES SECTIONS VERTICALES DE CE SYSTÈME NÉCESSITENT UN DÉGAGEMENT MINIMUM DE 1 po POUR LES MATÉRIAUX COMBUSTIBLES DE TOUTS LES CÔTÉS DU TUYAU. UN DÉGAGEMENT DE 1 po SEULEMENT EST REQUIS LORSQUE LA VENTILATION PASSE À TRAVERS LE MUR VERTICAL LE PLUS PROCHE.

PRÉCAUTIONS D'INSTALLATION

Consultez les codes du bâtiment locaux avant de commencer l'installation. L'installateur(trice) doit s'assurer de sélectionner le système de ventilation approprié pour l'installation. Avant d'installer la trousse de ventilation, l'installateur(trice) doit lire le présent manuel et les instructions de la trousse de ventilation. **Seule(les) un(e) installateur(trice)/technicien(ne) qualifié(les) devrait installer le système de ventilation.** L'installateur(trice) doit suivre les règles de sécurité suivantes :

- Portez des gants et des lunettes de sécurité pour vous protéger.
 - Soyez extrêmement prudent(e) lorsque vous utilisez des échelles ou quand vous vous trouvez sur les toits.
 - Soyez conscient(e) des emplacements de câblage électrique dans les murs et les plafonds.
- Les actions suivantes annuleront la garantie de votre système de ventilation :

- Installation de tout composant de ventilation endommagé.
- Modification non autorisée du système de ventilation.
- Installation de tout composant non fabriqué ou approuvé par l'USSC.
- Installation autre que celle autorisée par ces instructions.

PLANIFICATION DE L'INSTALLATION

Il existe deux types de base d'installation à ventilation directe :

- Terminaison horizontale
- Terminaison verticale

Il est important de sélectionner la bonne longueur de tuyau de ventilation pour le type de terminaison que vous choisissez. Il est également important de noter l'épaisseur de la paroi.

REMARQUE : Le raccordement de la conduite de gaz peut être effectué à l'aide d'un tube rigide de 1/2 po ou d'un connecteur flexible approuvé. Étant donné que certaines municipalités ont des codes locaux supplémentaires, il est toujours préférable de consulter les autorités locales et l'édition actuelle du National Fuel Gas Code ANSI.Z223.1, NFPA54. Au Canada, le code d'installation CSA-B149 (1 ou 2). Une vanne d'arrêt manuelle homologuée doit être installée en amont de l'appareil. Un raccord en té et un point de prise de pression 1/8 po NPT bouché devraient être installés en amont de l'appareil.

IMPORTANT :

INSTALLER LA VANNE À GAZ PRINCIPALE (VANNE D'ARRÊT D'ÉQUIPEMENT) DANS UN ENDROIT ACCESSIBLE. LA VANNE DE GAZ PRINCIPALE EST POUR ALLUMER OU ÉTEINDRE LE GAZ DU FOYER. VÉRIFIEZ VOS CODES DE BÂTIMENT POUR TOUTES LES EXIGENCES SPÉCIALES RELATIVES À LA LOCALISATION DE LA VANNE D'ARRÊT D'ÉQUIPEMENT SUR LES FOYERS. APPLIQUEZ LÉGÈREMENT LE SCELLANT DE JOINT DE TUYAU SUR LES FILS MÂLES. Ceci empêchera un excès de scellant de passer dans les tuyaux. Un excès de scellant dans le tuyau pourrait entraîner l'obstruction des vannes DU SYSTÈME DE BRÛLEUR.

ATTENTION :

UNE VANNE D'ARRÊT MANUELLE DOIT ÊTRE INSTALLÉE EN AMONT DE L'APPAREIL. UN RACCORD EN TÉ ET UN POINT DE PRISE DE PRESSION 1/8 po NPT BOUCHÉ DEVRAIENT ÊTRE INSTALLÉS EN AMONT DE L'APPAREIL

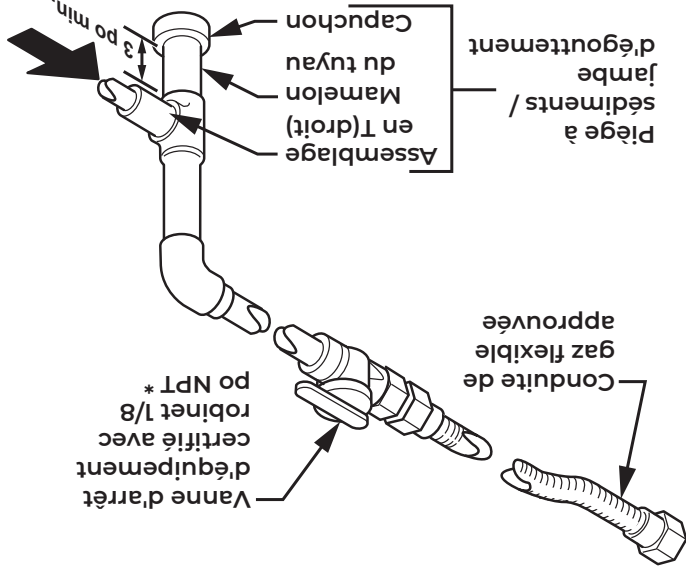
Nous vous recommandons d'installer un piège à sédiments / collecteur de sédiments dans la conduite d'alimentation, comme illustré. Placez le piège à sédiments / collecteur de sédiments là où il est à portée de main pour le nettoyage. Installez un système de tuyauterie entre l'alimentation en carburant et le système de brûleur. Placez le piège à sédiments / collecteur de sédiments là

ATTENTION :

UTILISEZ UN SCELLANT POUR JOINT DE TUYAU RÉSISTANT AU GAZ DE PÉTROLE LIQUIDE (LP).

où la matière piégée ne risque pas de geler. Un piège à sédiments emprisonne l'humidité et les contaminants. Ceci les empêche d'entrer dans les commandes de gaz du système de brûleur. Si le piège à sédiments / collecteur de sédiments n'est pas installé ou est mal installé, le système de brûleur peut ne pas fonctionner correctement.

Gaz naturel provenant du compteur de gaz	(Pression de 5,0 po CE à 10,5 po CE)
Propane / Propane liquide provenant d'un régulateur externe	(Pression de 12,0 po CE à 14,0 po CE)



VÉRIFIEZ LE TYPE DE GAZ

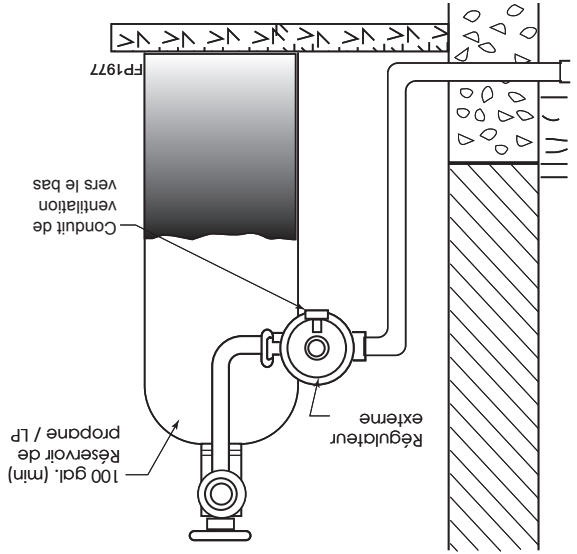
Utilisez le type de gaz approprié pour l'unité que vous installez. Si vous avez un type de gaz en conflit, n'installez pas l'unité.

AVERTISSEMENT :

UN(E) INSTALLATEUR(TRICE) QUALIFIÉ(E) OU UN(E) TECHNICIEN(NE) DOIT BRANCHER L'APPAREIL À L'ALIMENTATION EN GAZ. SUIVEZ TOUTS LES CODES LOCAUX.

Consultez le revendeur chez qui vous avez acheté l'unité pour savoir l'unité appropriée en fonction de votre type de gaz.

INSTALLEZ LA TUYAUTÉRIE DE GAZ SUR L'EMPLACEMENT DU Foyer



Installez le régulateur externe avec le conduit de ventilation vers le bas, comme illustré.

Les éléments d'installation nécessaires avant d'installer la cuisinière et le système de brûleur, assurez-vous d'avoir les éléments énumérés ci-dessous.

- Régulateur externe
- Assemblage en T (droit)
- Connexion pour jauge de test*
- Clé à tubes
- Piège à sédiments (recommandé)
- Vanne d'arrêt d'équipement *
- Tuyauterie (vérifiez les codes locaux)
- Scellant (résistant au propane/propane liquide) (fourni par l'installateur)
- Conduite de gaz flexible approuvée avec connecteur de gaz (si autorisé par les codes locaux - non fourni)

INSTALLATION DE LA CUISINIÈRE

* Une vanne d'arrêt d'équipement certifiée CSA avec un robinet certifiée CSA auprès de votre revendeur. Pour les connexions propane/propane liquide uniquement, l'installateur doit fournir un régulateur externe. Le régulateur externe réduira la pression du gaz entrant. Vous devez réduire la pression du gaz entrant entre l'entrée et le brûleur. Le régulateur peut être endommagé. Installez le régulateur externe avec le conduit de ventilation vers le bas, comme illustré. Le fait de pointer la plume vers le bas offre une protection contre la pluie verglaçante ou le grésil.

AVERTISSEMENT :

NOUS RECOMMANDONS DE N'UTILISER QUE DES TUYAUX EN FER NOIR OU EN ACIER. DES TUYAUX EN CUIVRE OU EN CUIVRE ÉTAMÉ À L'INTÉRIEUR PEUVENT ÊTRE UTILISÉS SELON LE CODE NATIONAL DU CARBURANT, SECTION 2.6.3, POURVU QUE LE GAZ RÉPONDE AUX LIMITES DE SULFURE D'HYDROGÈNE, ET LÀ OÙ C'EST PERMIS PAR LES CODES LOCAUX. LE SYSTÈME DE TUYAUTÉRIE DE GAZ DOIT ÊTRE DIMENSIONNÉ POUR FOURNIR UNE PRESSION D'ENTRÉE MINIMALE (INDIQUÉE SUR LA PLAQUE SIGNALÉTIQUE) AU DÉBIT MAXIMUM (BTU / HR). UNE PERTE DE PRESSION EXCESSIVE SE PRODUIRA SI LE TUYAU EST TROP PETIT.

ATTENTION :

POUR LES APPAREILS À PROPANE / PROPANE LIQUIDE, NE BRANCHEZ JAMAIS LA CUISINIÈRE DIRECTEMENT À L'ALIMENTATION EN PROPANE / PROPANE LIQUIDE. CE SYSTÈME DE BRÛLEUR NÉCESSITE UN RÉGULATEUR EXTERNE (NON FOURNI). INSTALLEZ LE RÉGULATEUR EXTERNE ENTRE LE SYSTÈME DE BRÛLEUR ET L'ALIMENTATION EN PROPANE / PROPANE LIQUIDE.

AVERTISSEMENT :

DES RÉGULATEURS EXTERNES PEUVENT ÊTRE NÉCESSAIRES POUR LE GAZ NATUREL. LES SYSTÈMES À UNE OU DEUX LIVRES PAR POUCE CARRÉ (PSI) ENDOMMAGERONT CET APPAREIL ET PEUVENT PROVOQUER DES RISQUES D'INCENDIE.

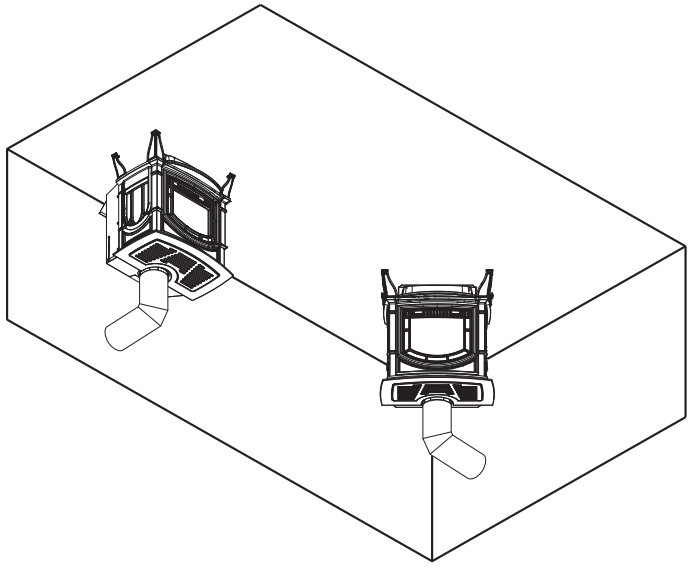
Lorsque vous utilisez des connecteurs en cuivre ou flexibles, utilisez uniquement des raccords approuvés pour les connexions de gaz. L'entrée de contrôle du gaz est de 3/8 po NPT.

AVERTISSEMENT :


SEULES LES PERSONNES AUTORISÉES À TRAVAILLER AVEC DES TUYAUX DE GAZ PEUVENT EFFECTUER LES CONNEXIONS DE GAZ NÉCESSAIRES À CET APPAREIL.

EMPLACEMENT DE LA CUISINIÈRE

- En raison des hautes températures qu'il dégage, l'appareil devrait être installé à l'écart des zones à forte circulation, des meubles et des rideaux.
 - N'obstruez jamais l'ouverture avant de la cuisinière.
 - N'installez pas l'appareil à proximité de zones où de l'essence ou d'autres liquides inflammables peuvent être stockés.
 - Acheminement du tuyau de ventilation. Consultez la section Ventilation de ce manuel pour savoir les configurations de ventilation autorisées.
 - Ces unités peuvent être installées dans une chambre. Consultez le National Fuel Gas Code ANSI Z233.1/NFPA 54 (édition actuelle), le Uniform Mechanical Code (édition actuelle) et les codes du bâtiment locaux pour les exigences d'installation spécifiques.
- REMARQUE : Si cet appareil est installé dans une maison mobile, il doit être solidement boulonné au sol avec des boulons de pied.
- REMARQUE : Les cuisinières fonctionnent sans aucune alimentation électrique.



- Cette cuisinière devrait avoir un accès suffisant pour son fonctionnement et son entretien en toute sécurité.
- Localisez un emplacement où le système de cheminée de la cuisinière peut être correctement installé sans endommager l'intégrité du bâtiment. Par exemple, couper une solive de mur ou de plafond (p. ex. éléments de charpente porteurs).
- Lorsque l'appareil est installé directement sur du tapis, de la tulle ou des matériaux combustibles autres que du plancher en bois, vous devez utiliser un panneau de métal ou de bois s'étendant sur toute la largeur et la profondeur de l'appareil.
- Vérifiez les exigences de dégagement de la cuisinière et du système d'évacuation des fumées.
- Localisez la cuisinière à un endroit accessible par la conduite d'alimentation en gaz.
- Placez la cuisinière dans une grande pièce ouverte située au centre de la maison. Cela optimisera la circulation de la chaleur et le confort.
- N'obstruez en aucune circonstance le flux d'air de combustion et de ventilation.
- Les dégagements minimaux aux combustibles, aux parois latérales, au plafond, aux boiseries et aux fenêtres doivent être maintenus.
- Cette cuisinière peut être installée le long d'un mur, à travers un coin, ou utiliser un châssis extérieur. Reportez-vous à la figure ci-dessous pour les emplacements suggérés.

NATIONAL FIREPLACE INSTITUTE
 Nous recommandons une installation et un entretien de nos âtres au gaz par des professionnels certifiés aux États-Unis par le National Fireplace Institute (NFI) en tant que spécialistes NFI en gaz ou certifiés au Canada par le Wood Energy Technical Training (WETT).

 www.nficertified.org

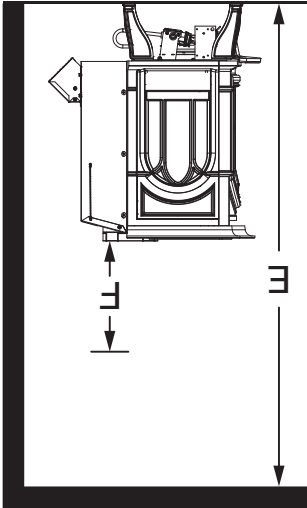
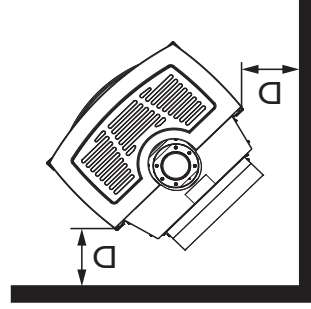
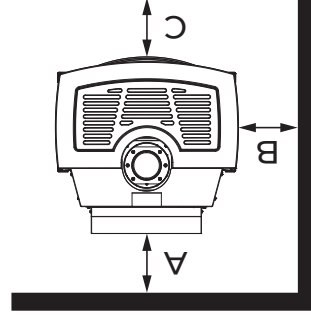
US Stove recommande vivement que votre cuisinière soit installée par un(e) technicien(ne) qualifié(e) NFI (États-Unis) ou WETT (Canada). Pour trouver l'installateur(trice) qualifié(e) le(a) plus proche de chez vous, consultez :

<https://nficertified.org>,

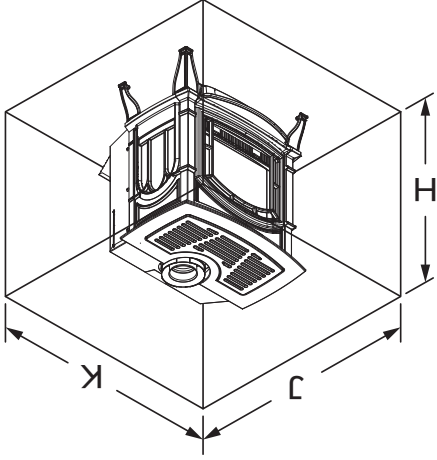
<https://www.westinc.ca/>

DÉGAGEMENTS PAR RAPPORT AUX MATÉRIAUX COMBUSTIBLES

Les dimensions affichées ci-dessous constituent les dégagements minimaux que vous devez respecter lorsque vous installez ce chauffage. Les dégagements droit et gauche sont définis quand vous placez devant le chauffage. Veuillez suivre ces instructions attentivement pour garantir une installation sécuritaire. Ne pas suivre ces instructions exactement peut engendrer un risque d'incendie. L'appareil ne peut pas être installé directement sur un tapis. En cas d'installation sur un tapis, l'appareil devra être installé sur un panneau de métal, de bois, ou de tout autre matériau incombustible prolongeant en entier la largeur et la profondeur de l'appareil. Les dégagements sont conformes aux codes d'installation locaux et aux exigences du fournisseur de gaz.



	mm	po
A	25	1
B	153	6
C	914	36
D	112	4-3/8
E	1219	48
F	483	19



ALCÔVE		
H	Hauteur à partir du foyer	48 po / 1 219 mm
J	Profondeur	48 po / 1 219 mm
K	Largeur	36 po / 914 mm

REMARQUE : Maintenez des dégagements latéraux et arrière minimaux lorsque vous placez la cuisinière dans une alcôve.

▲ AVERTISSEMENT :

CET APPAREIL DOIT ÊTRE MUNI D'UNE ÉVACUATION VERS L'EXTÉRIEUR. LE SYSTÈME DE VENTILATION NE DOIT JAMAIS ÊTRE FIXÉ À UNE CHEMINÉE QUI DESSERT UN AUTRE APPAREIL DE CHAUFFAGE À COMBUSTIBLE SOLIDE. CHAQUE APPAREIL À GAZ DOIT UTILISER UN SYSTÈME DE VENTILATION DISTINCT. N'UTILISEZ PAS DE SYSTÈMES DE VENTILATION COURANTS.

▲ AVERTISSEMENT :

N'EMBALLER PAS LES ESPACES D'AIR OUVERTS AVEC DE L'ISOLANT OU D'AUTRES MATÉRIAUX. CELA POURRAIT PROVOQUER UNE MONTÉE DE TEMPÉRATURE ET PRÉSENTER UN RISQUE D'INCENDIE ET DES BLESSURES GRAVES, DES DOMMAGES MATÉRIELS OU LA MORT. LE FONCTIONNEMENT D'UN SYSTÈME D'ÉVACUATION MAL INSTALLÉ ET MAL ENTRETENU PEUT ENTRAÎNER DES BLESSURES GRAVES, DES DOMMAGES MATÉRIELS OU LA MORT.

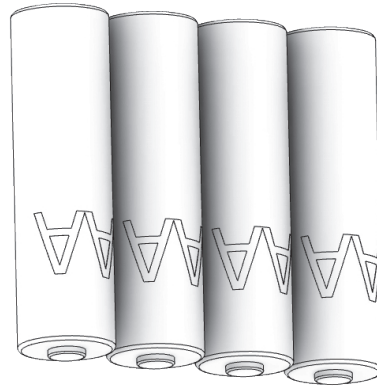
garantie.

REMARQUE : Le non-respect de ces instructions annulera la

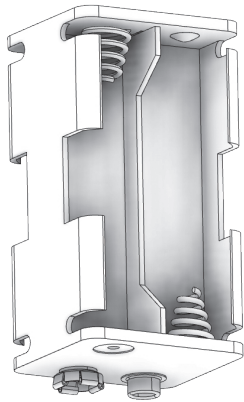
APERÇU DES PIÈCES

Lisez attentivement ce manuel du propriétaire et respectez toutes les instructions. Inspectez tout le contenu pour détecter d'éventuels dommages d'expédition et en informer immédiatement votre revendeur le cas échéant. N'installez pas de pièces endommagées, incomplètes ou de remplacement. Vérifiez votre bordereau de marchandises pour vérifier que toutes les pièces énumérées ont été reçues.

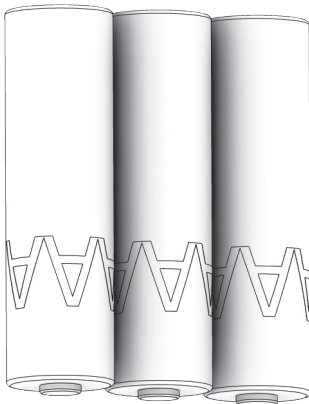
PILES AA (PAQUET DE 4)



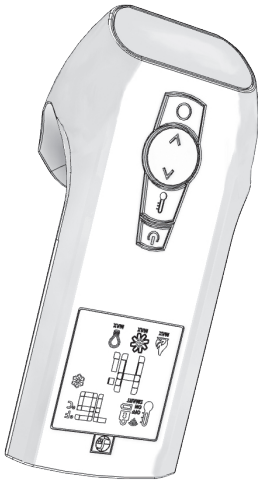
BOÎTE DE PILES



PILES AAA (PAQUET DE 3)



TÉLÉCOMMANDE



SPÉCIFICATIONS DU PRODUIT

- Cet appareil a été homologué pour fonctionner au gaz naturel ou au propane. Voir les plaques d'informations correspondantes.
- Cet appareil n'est pas destiné à une utilisation avec des combustibles solides. Ce produit est fabriqué pour fonctionner au gaz naturel. Une trousse de conversion au gaz propane est fournie avec cet appareil. Veuillez vous référer à la partie 23LPC pour des instructions pour la conversion au propane.
- Cet appareil est homologué pour une installation dans une chambre ou une chambre/salle de séjour.
- Cet appareil doit être installé conformément aux codes locaux le cas échéant. S'il n'y en a aucun, utilisez le code d'installation courant: la norme ANSI Z223.1/NFPA 54 aux États-Unis et la norme CSA B149 au Canada.
- Cet appareil est homologué pour les maisons mobiles.
- Cet appareil doit être correctement raccordé à un système de ventilation.
- Cet appareil n'est pas approuvé pour une installation encastree ou dans un garde-robe.
- Pour installation dans une alcôve, veuillez vous référer à la section « Dégagements ».

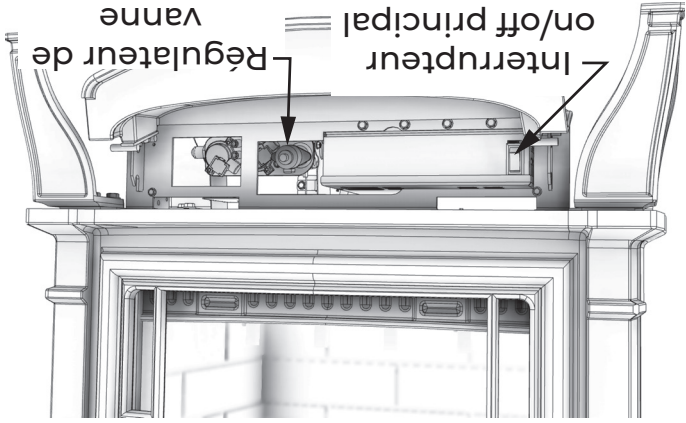
COMMANDES

Pressions du gaz		
Propane (propane liquide)	Gaz naturel	
12 po CE (2,74 KPA)	5,0 po CE (1,25 KPA)	Pression minimale d'alimentation
14 po CE (3,49 KPA)	10,5 po CE (2,61 KPA)	Pression maximale d'alimentation
11,0 po CE (2,74 KPA)	3,8 po CE (0,95 KPA)	Pression d'admission

Caractéristiques du gaz et dimension de l'orifice		
Propane (propane liquide)	Gaz naturel	
10 000 BTU/heure (2,9 kW)	12 000 BTU/heure (3,5 kW)	Tension minimale
20 000 BTU/heure (5,9 kW)	23 500 BTU/heure (6,9 kW)	Tension maximale
No 55	No 43	Taille de l'orifice

HAUTE ALTITUDE

Cet appareil peut être installé à haute altitude. Veuillez vous reporter au National Fuel Gas Code ANSI Z223.1/NFPA 54, au Code sur l'installation des appareils au propane et au gaz naturel (CSA-B149.1), aux autorités locales ou aux codes ayant pouvoir dans votre région au sujet des directives réduites. Installations américaines - Veuillez vous reporter aux directives de l'American Gas Association pour la méthode de déclassement des appareils conçus pour le gaz. Pour les altitudes supérieures à 2 000 pi (610 m), les taux d'entrée doivent être réduits de 4 % par 1 000 pi (305 m) au-dessus du niveau de la mer. Installations canadiennes - Lors d'une installation de l'appareil à des altitudes supérieures à 4 500 pi (1 372 m), le classement certifié à haute altitude doit être abaissé de 4 % tous les 1 000 pi (305 m) supplémentaires.



Based on CSA P4.1-15

71%

Gas Fireplace Energy Efficiency Rating

ENERGUIDE

Canada

Basé sur la norme d'essai CSA P4.1-15

70%

Classement de l'efficacité énergétique du gaz du foyer

ENERGUIDE

Canada

AVERTISSEMENT :

LISEZ COMPLÈTEMENT ET ATTENDEZ TOUTES LES INSTRUCTIONS AVANT DE COMMENCER L'INSTALLATION. NE PAS LE FAIRE PEUT ENTRAÎNER DES BLESSURES GRAVES, DES DOMMAGES MATÉRIELS OU LA MORT. D'UN SYSTÈME D'ÉVACUATION MAL INSTALLÉ ET MAL ENTRETENU PEUT ENTRAÎNER DES BLESSURES GRAVES, DES DOMMAGES MATÉRIELS OU LA MORT.

6. Une surveillance étroite doit être exercée lorsque de jeunes enfants se trouvent dans la pièce où l'appareil est installé. Les tout-petits, les jeunes enfants et autres sont susceptibles de se brûler par contact accidentel. Nous recommandons l'installation d'une barrière physique s'il y a des personnes à risque dans la maison. Pour restreindre l'accès à un foyer ou à une cuisinière, installez une barrière de sécurité ajustable pour empêcher les tout-petits, les jeunes enfants et les autres personnes à risque de s'approcher de la pièce et rester loin des surfaces chaudes.
7. Ne modifiez en aucun cas le brûleur ou la cuisinière. Toute pièce retirée pour entretien doit être remplacée avant la remise en marche de la cuisinière.
8. Éteignez et laissez refroidir la cuisinière avant de l'entretenir, de l'installer ou de la réparer. Seul(e) un(e) technicien(ne) qualifié(e) devrait installer, entretenir ou réparer la cuisinière. L'inspection du système de combustion doit être effectuée annuellement par un(e) technicien(ne) qualifié(e).
9. L'installation et la réparation devraient être effectuées par un(e) technicien(ne) qualifié(e). Si nécessaire, faites nettoyer ou réparer le système de ventilation.
10. L'inspection du système de ventilation doit être effectuée par un(e) technicien(ne) qualifié(e). Si nécessaire, faites nettoyer et laissez pas de matériaux combustibles comme de l'essence et autres vapeurs et liquides inflammables à proximité de votre cuisinière. Ne faites pas fonctionner le système de brûleur là où ces matériaux sont utilisés ou stockés. Ne déposez pas d'objets comme des vêtements ou des décorations sur ou autour de la cuisinière.
11. N'utilisez pas cette cuisinière pour cuire des aliments ou pour brûler du papier ou d'autres objets.
12. Ne déposez aucun objet sur la cuisinière.
13. N'utilisez aucun combustible solide (bois, charbon, papier, carton, etc.) dans cette cuisinière. N'utilisez que le type de gaz indiqué sur la plaque signalétique du système de brûleur.

15. Après installation, cet appareil doit être mis à la terre conformément aux codes locaux, ou en l'absence de code, avec le National Electrical Code, ANS/NFPA 70, ou le Code canadien de l'électricité, CSA C22.1.

16. N'obstruez en aucun cas le flux d'air de combustion et de ventilation. Prévoyez un dégagement suffisant autour des bouches d'air de la chambre de combustion, ainsi que le dégagement d'accessibilité approprié pour l'entretien et le bon fonctionnement.

17. Lorsque l'appareil est installé directement sur du tapis, de la tuile ou des matériaux combustibles autres que du plancher en bois, vous devez utiliser un panneau de métal ou de bois ou un tapis de plancher s'étendant sur toute la largeur et la profondeur de l'appareil.

18. N'utilisez pas cet appareil si l'un des composants a été immergé dans l'eau. Communiquez immédiatement avec un(e) technicien(ne) qualifié(e) pour inspecter l'appareil et pour remplacer toute pièce du système de contrôle ou du contrôle de gaz ayant été immergée dans l'eau.

19. N'utilisez pas d'insert soufflant, d'insert d'échangeur de chaleur ou tout autre accessoire non homologué pour être utilisé avec cette cuisinière.

20. N'utilisez pas la cuisinière lorsque la vitre est enlevée, fissurée ou brisée. Ne heurtez pas le devant de l'appareil. Des dommages possibles au verre peuvent survenir.

21. Le Massachusetts uniquement devrait se référer à la section « Exigences pour le Commonwealth du Massachusetts » de ce manuel.

22. Vous devez garder les compartiments de contrôle, les brûleurs et les canaux de circulation d'air propres. Un entretien plus fréquent peut être nécessaire en raison de peluches et de poussière excessives. Fermez la vanne de gaz et la veilleuse avant nettoyage.

23. En raison des hautes températures qu'il dégage, l'appareil devrait être installé à l'écart de la circulation, des meubles et des rideaux.

24. Les enfants et les adultes devraient être informés des risques que comportent les surfaces à haute température et devraient demeurer à l'écart de celles-ci pour éviter les brûlures ou que leurs vêtements s'enflamment.

2. Les «systèmes de ventilation spéciaux» devront être homologués «Produit approuvé» par le conseil d'administration et leurs instructions devront comprendre une liste des pièces et des instructions d'installation détaillées.
- f. Une copie de toutes les instructions d'installation de l'appareil au gaz à ventilation horizontale murale homologué « Produit approuvé », toutes les instructions pour le système de ventilation, une liste de toutes les pièces requises pour les instructions de ventilation et/ou toutes les instructions sur la conception du système d'évacuation

1. Des instructions détaillées pour l'installation de la conception du système de ventilation ou des composants du système de ventilation; et
2. Une liste complète des pièces pour la conception du système de ventilation ou du système de ventilation.
- e. Équipement au gaz - Système de ventilation non fourni : Lorsque le fabricant de l'appareil au gaz à ventilation horizontale murale homologué « Produit approuvé » ne fournit pas les pièces permettant l'évacuation des gaz de combustion, mais détermine des « systèmes de ventilation spéciaux », ledit fabricant devra respecter les exigences suivantes :
1. Les instructions sur les «systèmes de ventilation spéciaux» indiquées devront être incluses avec les instructions d'installation de l'appareil ou de l'équipement; et

CONSIGNES DE SÉCURITÉ

<p>AVERTISSEMENT :</p> <p>LISEZ CE MANUEL DU PROPRIÉTAIRE ATTENTIVEMENT ET COMPLÈTEMENT AVANT DE TENTER D'ASSEMBLER, DE FAIRE FONCTIONNER OU DE DÉPANNER L'APPAREIL. TOUTE MODIFICATION FAITE SUR CET APPAREIL OU SUR SES COMMANDES PEUT ÊTRE DANGEREUSE. UNE INSTALLATION OU UNE UTILISATION INAPPROPRIÉE PEUT CAUSER DES BLESSURES GRAVES OU LA MORT PAR LE FEU, DES BRÛLURES, DES EXPLOSIONS, UNE ÉLECTROCUTION ET UNE INTOXICATION AU MONOXYDE DE CARBONE.</p>
--

Cette cuisinière est un produit ventilé. Cette cuisinière doit être correctement installée par un(e) technicien(ne) qualifié(e). La porte vitrée doit être correctement placée et scellée. Si cet appareil n'est pas correctement installé par un(e) technicien(ne) qualifié(e) avec la porte vitrée correctement placée et scellée, des fuites de combustion peuvent se produire.

INTOXICATION AU MONOXYDE DE CARBONE

Les signes précoces d'intoxication au monoxyde de carbone ressemblent aux symptômes typiques de la grippe, avec des maux de tête, des étourdissements et/ou de la nausée. Si vous avez ces symptômes, cela suggère que la cuisinière n'a peut-être pas été installée correctement. Sortez immédiatement à l'air frais! Faites procéder à une inspection et à un entretien par un(e) technicien(ne) qualifié(e). Certaines personnes peuvent être davantage affectées par le monoxyde de carbone. Ces personnes incluent les femmes enceintes, les personnes présentant des problèmes cardiaques, pulmonaires ou d'anémie, les personnes sous influence de l'alcool, et celles se trouvant à haute altitude. Le propane/propane liquide et le gaz naturel sont tous les deux sans odeur. Un produit odorant est ajouté à chacun de ces gaz. Cette odeur vous permet de détecter les fuites de gaz. Cependant, l'odeur qui est ajoutée à ces gaz peut se dissiper. Des gaz peuvent se dégager même s'il n'y a aucune odeur. Assurez-vous de lire et de comprendre tous les

1. Cet appareil n'est compatible qu'avec le type de gaz indiqué sur la plaque signalétique. Cet appareil n'est pas compatible avec d'autres types de gaz, à moins d'utiliser la trousse agréée à cet effet.
2. Pour les cuisinières au propane/propane liquide, ne placez pas le ou les réservoirs d'alimentation au propane/propane liquide à l'intérieur de la structure. Placez le(s) réservoir(s) d'alimentation au propane/propane liquide à l'extérieur. Pour éviter tout problème de performance, n'utilisez pas de réservoir au propane/propane liquide de capacité inférieure à 100 gallons.
3. Si vous décele une odeur de gaz :
 - coupez l'alimentation en gaz.
 - n'allumez aucun appareil.
 - n'appuyez sur aucun interrupteur électrique et n'utilisez aucun téléphone dans le bâtiment.
 - rendez-vous chez votre voisin et appelez immédiatement votre fournisseur de gaz. Suivez les instructions du fournisseur de gaz.
4. N'installez jamais la cuisinière :
 - dans un véhicule récréatif
 - où il y a des rideaux, des meubles, des vêtements ou d'autres objets inflammables à moins de 42 po en avant, au-dessus ou sur les côtés de la cuisinière
 - dans les zones à fort passage
 - dans les zones ventueuses ou à courants d'air
5. Cette cuisinière atteint des températures élevées. Tenez les enfants et les adultes éloignés des surfaces chaudes pour éviter les brûlures et les vêtements de s'enflammer. La cuisinière restera brûlante un certain temps après son arrêt. Laissez les

EXIGENCES POUR LE COMMONWEALTH DU MASSACHUSETTS

Veuillez lire et suivre ces exigences particulières

REMARQUE CONCERNANT LES PRODUITS

VENTILES

- Les installations effectuées au sein du Commonwealth du Massachusetts doivent être par un plombier ou un installateur de gaz agréé.
- Toute résidence ayant un produit à ventilation directe doit avoir un détecteur de CO installé à l'intérieur de la résidence.

- L'installation de l'unité ou de la bûche à gaz ventilée dans l'État du Massachusetts exige que le registre soit retiré ou soudé de manière permanente en position complètement ouverte.
- De plus, une bûche à gaz ventilée naturellement ne peut pas être installée dans une chambre ou une salle de bain dans l'État du Massachusetts.

- L'installation de la ligne flexible ne doit pas dépasser 36 pouces et doit avoir une vanne d'arrêt en T.

REMARQUE CONCERNANT LES PRODUITS SANS VENTILATION

- Les installations effectuées au sein du Commonwealth du Massachusetts doivent être par un plombier ou un installateur de gaz agréé.
- De plus, les produits sans ventilation ne peuvent pas être installés dans une chambre ou une salle de bain, quelle que soit leur taille ou leur type dans l'État du Massachusetts.

- L'installation de la ligne flexible ne doit pas dépasser 36 pouces et doit avoir une vanne d'arrêt en T.

EXIGENCES RELATIVES AU DÉTECTEUR DE MONOXYDE DE CARBONE

Réviser 10.8.3 en ajoutant les exigences supplémentaires suivantes :

- Pour tous les appareils au gaz à ventilation horizontale installés dans chaque habitation, bâtiment ou structure utilisée en tout ou en partie à des fins résidentielles, y compris ceux qui appartiennent ou qui sont exploités par le Commonwealth, et où la sortie du conduit d'évacuation dans le mur latéral est à moins de sept (7) pieds au-dessus du sol fini dans la zone de la ventilation, y compris, mais sans s'y limiter, les terrasses et les porches, les exigences suivantes devront être respectées :
1. Installation des détecteurs de monoxyde de carbone

Au moment d'installer l'appareil au gaz à ventilation horizontale murale, le plombier ou l'installateur de gaz devra vérifier qu'un détecteur de monoxyde de carbone câblé avec alarme et batterie de secours est installé au niveau du sol, où l'appareil au gaz doit être installé. De plus, le plombier ou l'installateur de gaz devra vérifier qu'un détecteur de monoxyde de carbone câblé ou à batterie, avec alarme, est installé à tous les autres étages de

l'habitation, du bâtiment ou de la structure desservi par l'appareil au gaz à ventilation horizontale murale. Il va de la responsabilité du propriétaire de s'assurer les services de professionnels agréés qualifiés pour l'installation des détecteurs de monoxyde de carbone.

a. En cas d'installation de l'appareil au gaz à ventilation horizontale murale dans un vide sanitaire ou un grenier, le détecteur de monoxyde de carbone câblé avec alarme et batterie de secours peut être installé au niveau du plancher adjacent le plus proche.

b. Si les exigences de cette sous-section ne peuvent pas être satisfaites au moment d'achever l'installation, le propriétaire disposera d'une période de trente (30) jours pour se conformer aux exigences ci-dessus, pourvu toutefois qu'au cours de cette période de trente (30) jours, un détecteur de monoxyde de carbone à batterie avec alarme devra être installé.

c. Détecteurs de monoxyde de carbone agréés : Tous les détecteurs de monoxyde de carbone, tel qu'exigé conformément aux clauses ci-dessus, devront être conformes à la norme NFPA 720 et être homologués ANSI/UL 2034 et certifiés par l'IAS.

4. Signalétique : Une plaque d'identification en métal ou en plastique doit être fixée en permanence à l'extérieur du bâtiment, à au moins huit (8) pieds au-dessus du sol, directement alignée avec le tuyau du conduit d'évacuation de l'appareil ou de l'équipement de chauffage à gaz à ventilation horizontale. La plaque doit comporter l'inscription suivante en caractères d'au moins un demi-pouce (1/2) po : « ÉVACUATION DE GAZ JUSTE EN DESSOUS. NE PAS OBSTRUER ».

5. Inspection : L'inspecteur de gaz local ou de l'État pour l'appareil au gaz à ventilation horizontale murale approuvera seulement l'installation s'il observe lors de l'inspection que les détecteurs de monoxyde de carbone et la signalétique sont installés conformément aux dispositions de l'article 248 CMR 5.08 (2) (a) 1 à 4.

c. Dispenses : L'équipement suivant est dispensé de l'article 248 CMR 5.08 (2) (a) 1 à 4 :

1. L'équipement énuméré au chapitre 10 intitulé « Équipement ne nécessitant pas de ventilation » dans la dernière édition de la norme NFPA 54 telle qu'approuvée par le conseil d'administration; et

2. L'équipement au gaz à ventilation horizontale murale homologué « Produit approuvé » installé dans une pièce ou une structure distincte de l'habitation, du bâtiment ou de la structure utilisée en tout ou en partie à des fins résidentielles.

d. Exigences du fabricant - Système de ventilation d'équipement au gaz fourni : Lorsque le fabricant de l'appareil au gaz à ventilation horizontale murale homologué « Produit approuvé » fournit un plan du système de ventilation ou des composants du système avec l'équipement, les instructions fournies par le fabricant pour l'installation de l'équipement et du système de ventilation devra comprendre :

ÉTIQUETTE DE SÉCURITÉ

REMARQUE : Cette image n'est qu'un exemple. L'étiquette qui se trouve sur l'unité sera légèrement différente.

REMARQUE : lors de l'allumage initial, de la condensation apparaîtra sur la vitre. Ceci est normal et disparaîtra après plusieurs minutes. Vous sentirez une odeur de peinture au cours des premières heures de la combustion. Des bruits de degrés divers peuvent se produire lorsque l'appareil chauffe et refroidit, en raison de la dilatation et de la contraction du métal. Il s'agit d'un phénomène normal qui n'a pas d'incidence sur la performance ou la longévité.

AVERTISSEMENT : Si vous ne respectez pas scrupuleusement ces instructions, un incendie ou une explosion pourrait causer des dommages matériels, des dommages corporels, ou la mort.

POUR VOTRE SÉCURITÉ, LISEZ AVANT ALLUMAGE

A. AVANT UTILISATION, sentez autour de l'appareil pour détecter les odeurs de gaz. N'oubliez pas de sentir près du sol, car certains gaz sont plus lourds que l'air et se déposent au sol.

QUE FAIRE SI VOUS DÉCELEZ UNE ODEUR DE GAZ

- N'allumez aucun appareil.
- N'appuyez sur aucun interrupteur électrique et n'utilisez aucun téléphone dans le bâtiment.
- Rendez-vous chez votre voisin et appelez immédiatement votre fournisseur de gaz.

B. AVANT UTILISATION, sentez autour de l'appareil pour détecter les odeurs de gaz. N'oubliez pas de sentir près du sol, car certains gaz sont plus lourds que l'air et se déposent au sol.

QUE FAIRE SI VOUS DÉCELEZ UNE ODEUR DE GAZ

- N'allumez aucun appareil.
- N'appuyez sur aucun interrupteur électrique et n'utilisez aucun téléphone dans le bâtiment.
- Rendez-vous chez votre voisin et appelez immédiatement votre fournisseur de gaz.

C. AVANT UTILISATION, sentez autour de l'appareil pour détecter les odeurs de gaz. N'oubliez pas de sentir près du sol, car certains gaz sont plus lourds que l'air et se déposent au sol.

QUE FAIRE SI VOUS DÉCELEZ UNE ODEUR DE GAZ

- N'allumez aucun appareil.
- N'appuyez sur aucun interrupteur électrique et n'utilisez aucun téléphone dans le bâtiment.
- Rendez-vous chez votre voisin et appelez immédiatement votre fournisseur de gaz.

D. AVANT UTILISATION, sentez autour de l'appareil pour détecter les odeurs de gaz. N'oubliez pas de sentir près du sol, car certains gaz sont plus lourds que l'air et se déposent au sol.

QUE FAIRE SI VOUS DÉCELEZ UNE ODEUR DE GAZ

- N'allumez aucun appareil.
- N'appuyez sur aucun interrupteur électrique et n'utilisez aucun téléphone dans le bâtiment.
- Rendez-vous chez votre voisin et appelez immédiatement votre fournisseur de gaz.

CONSIGNES D'UTILISATION

1. **ARÊTEZ!** Lisez les informations de sécurité se trouvant au-dessus de cette étiquette.
2. Appuyez sur le bouton « OFF » de la télécommande sans fil.
3. Coupez l'alimentation électrique de l'appareil.
4. Cet appareil est équipé d'un dispositif d'allumage qui allume automatiquement la veilleuse.
5. Localisez la vanne manuelle installée par votre technicien qualifié. Tournez la vanne manuelle dans le sens horaire jusqu'à la position « OFF ».
6. Attendez cinq (5) minutes afin de dissiper tout gaz. Serrez ensuite pour détecter l'odeur de gaz, y compris près du sol. Si vous détectez une odeur de gaz, **ARÊTEZ!** Suivez « B » dans les informations de sécurité de votre manuel d'entretien.
7. Tournez la vanne manuelle dans le sens antihoraire jusqu'à la position « ON ».
8. Allumez l'alimentation électrique de l'appareil.
9. Appuyez sur le bouton « ON » de la télécommande sans fil.

COUPEZ L'ALIMENTATION EN GAZ DE L'APPAREIL.

10. Si l'appareil ne fonctionne pas, suivez la rubrique « Pour arrêter l'alimentation en gaz de l'appareil » des instructions et appelez votre fournisseur de gaz ou le technicien d'entretien.

1. Appuyez sur le bouton « OFF » de la télécommande sans fil.

2. Coupez l'alimentation électrique de l'appareil si un entretien doit être effectué.

3. Localisez la vanne manuelle installée par votre technicien qualifié.

4. Tournez la vanne manuelle dans le sens horaire jusqu'à la position « OFF ».

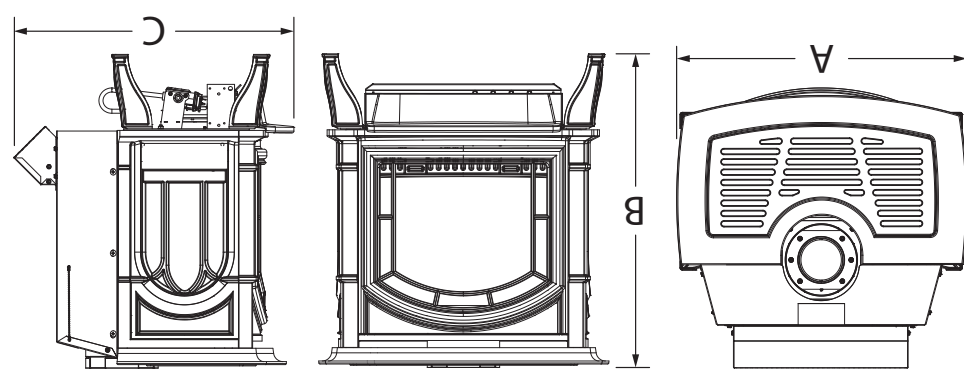
ATTENTION : Chaud lors du fonctionnement. Ne pas toucher. Cela peut entraîner de graves brûlures. Gardez les enfants, les vêtements, les meubles, l'essence et les autres liquides ayant des vapeurs inflammables à l'écart. Gardez le brûleur et le compartiment de contrôle propres. Voir les instructions d'installation et de fonctionnement accompagnant l'appareil.

ATTENTION : N'utilisez pas l'appareil lorsque la vitre est enlevée, fissurée ou brisée. Le remplacement des panneaux doit être effectué par un personnel d'entretien qualifié ou certifié.

853069B

DIMENSIONS

A	Largeur	26-9/16	675
B	Hauteur	28-3/4	730
C	Profondeur	25-5/8	652
		po	mm



LISTE DE VÉRIFICATION DE L'INSTALLATION



Votre cuisinière à gaz ne devrait être installée que par un(e) installateur(trice) qualifié(e). Un(e) installateur(trice) qualifié(e) NFI peut être trouvé(e) à www.nficertified.org/public/find-an-nfi-pro/

Pour le service client, veuillez contacter votre revendeur Breckwell.

LISTE DE VÉRIFICATION DE MISE EN SERVICE

Cette liste de vérification doit être remplie intégralement par la personne qualifiée qui installe cet appareil. Conservez cette page pour consultation ultérieure.

Le non-respect de l'installation et de la mise en service conformément aux instructions du fabricant et la non-exécution de cette liste de vérification annuleront la garantie.

Veuillez imprimer

Nom du client :		Numéro de téléphone :	
Adresse :		Modèle :	
Numéro de série :		Nom de l'entreprise d'installation :	
Nom du/de la) technicien(ne) d'installation :		Numéro de licence :	

DESCRIPTION DU TRAVAIL

Emplacement de l'appareil installé :

Système de ventilation : Nouveau système de ventilation Oui Non Si oui, marque _____

Si non, date d'inspection du système de ventilation existant :

MISE EN SERVICE

- Confirmez l'installation du tapis de foyer conformément aux instructions d'installation
 - Confirmez le placement correct des pièces internes
 - Vérifiez la solidité du joint d'étanchéité et des joints de porte
 - Confirmez les dégagements aux combustibles conformément aux instructions d'installation de ce manuel
 - Vérifiez les opérations des contrôles d'air
 - Confirmez que le système de ventilation est sécurisé et scellé
 - Confirmez que la cuisinière démarre et fonctionne correctement
 - Assurez-vous qu'un avertisseur de CO est installé conformément aux codes de construction locaux et qu'il est fonctionnel
 - Expliquez le fonctionnement en toute sécurité, l'utilisation appropriée du carburant, le nettoyage et les exigences d'entretien de routine
- Déclaration d'achèvement des travaux : En tant que personne qualifiée responsable des travaux décrits ci-dessus, je confirme que l'appareil en tant que travail associé a été installé conformément aux instructions du fabricant et en suivant les codes de construction et d'installation applicables.


Signé : _____ Nom en lettres moulées : _____ Date : _____

Propriétaire de la maison : CONSERVEZ CES INFORMATIONS POUR CONSULTATION ULTÉRIEURE

CONSERVEZ VOTRE RÉCÉPÉ ORIGINAL POUR TOUTE RÉCLAMATION DE GARANTIE. CONTACTEZ VOTRE REVENDEUR OU INSTALLATEUR SI VOUS DEVEZ FAIRE UNE RÉCLAMATION.

• Après commercialisation : Vente conclue, produit non destiné à la revente, provenant du fabricant.
Si les codes locaux ne l'interdisent pas, l'appareil peut être installé dans une maison préfabriquée (États-Unis seulement) ou mobile installée de manière permanente après commercialisation. Cet appareil n'est compatible qu'avec le type de gaz indiqué sur la plaque signalétique, et il n'est pas convertible pour une utilisation avec un autre appareil au gaz, à moins d'utiliser une trousse agréée.


Nous recommandons une installation et un entretien de nos âtres au gaz par des professionnels certifiés aux États-Unis par le National Fireplace Institute® (NFI) en tant que spécialistes NFI en gaz.



NATIONAL FIREPLACE INSTITUTE
NFI
CERTIFIED
www.nficertified.org

DANGER

LA VITRE CHAUDE PROVOQUE DES BRÛLURES. NE PAS TOUCHER LA VITRE JUSQU'À CE QU'ELLE AIT REFFROIDI. NE JAMAIS LAISSER DES ENFANTS TOUCHER LA VITRE.



Une barrière conçue pour réduire les risques de brûlures provenant de la vitre chaude est fournie avec cet appareil et doit être installée pour protéger les enfants et les autres personnes à risque.
852502B

NORMES

- ANS1 Z21.88-2017/CSA 2.33-2017, CHAUFFAGE DE FOYER À GAZ VENTILÉ
 - CSA P.4.1-2015, Méthode de test pour mesurer l'efficacité annuelle du foyer
- Cette installation doit être conforme aux codes locaux ou, en l'absence de ceux-ci, au National Fuel Gas Code, la norme ANSI Z223.1/NFPA 54, ou le Code d'installation du gaz naturel et du propane CSA B149.1.

Les appareils de type ventilation directe tirent tout l'air de combustion de l'extérieur de l'habitation à travers le tuyau de ventilation. Cet appareil a été testé par les laboratoires PFS-TECO et s'est avéré conforme aux normes établies pour les CHAUFFAGES DE FOYER À GAZ À VENTILATION DIRECTE aux États-Unis et au Canada comme suit:

APPROBATION DU CODE

Manuel d'instruction et d'utilisation destiné au propriétaire



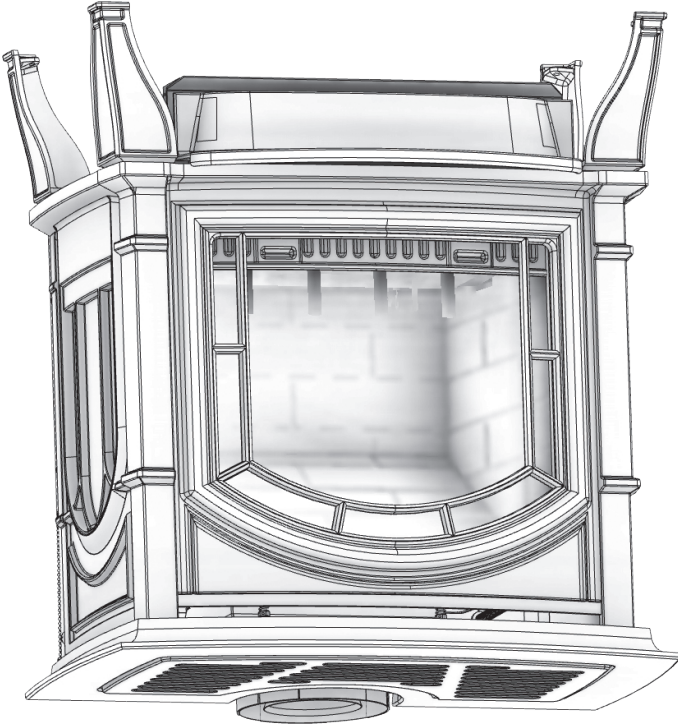
BRECKWELL

Numéro De Modèle:

BH23



Numéro de rapport : F20-633



*Toutes les images contenues dans le présent manuel ne sont fournies qu'à titre d'illustration. Le produit en question peut différer de celui illustré.

Gardez les instructions dans un endroit sécuritaire pour consultation ultérieure.

AVERTISSEMENT:
RISQUE D'INCENDIE OU D'EXPLOSION
Le non-respect strict des instructions de sécurité risque de provoquer des blessures graves, la mort ou des dommages matériels.

Ne stockez pas et n'utilisez pas d'essence ou d'autres vapeurs ou liquides inflammables à proximité de cet appareil ou de tout autre appareil.

QUE FAIRE SI VOUS DÉCELEZ UNE ODEUR DE GAZ :

- N'allumez aucun appareil.
- N'appuyez sur aucun interrupteur électrique et n'utilisez aucun téléphone dans le bâtiment.
- Quittez immédiatement le bâtiment.
- Rendez-vous chez votre voisin et appelez immédiatement votre fournisseur de gaz. Suivez les instructions du fournisseur de gaz.
- Si vous n'arrivez pas à joindre votre fournisseur de gaz, appelez le service d'incendie.

L'installation et l'entretien de l'appareil doivent être effectués par un installateur qualifié, un service d'entretien ou le fournisseur de gaz.

Veillez lire ce manuel AVANT d'installer et d'utiliser cet appareil.

INSTALLATEUR: Laissez ce manuel avec l'appareil.
CONSUMMATEUR: Conservez ce manuel pour consultation ultérieure.

AVERTISSEMENT CONCERNANT LA PROPOSITION 65 DE LA CALIFORNIE:

Ce produit peut vous exposer à des agents chimiques, y compris au monoxyde de carbone, lequel est reconnu dans l'État de la Californie comme causant le cancer, des malformations congénitales et/ou d'autres dommages à l'appareil reproductif. Pour obtenir plus de renseignements, veuillez consulter le site www.P65warnings.ca.gov

LE PRÉSENT MANUEL EST SUSCEPTIBLE D'ÊTRE MODIFIÉ SANS PRÉAVIS.

© 2021 Breckwell Hearth, South Pittsburg, TN 37380

PH. 423-403-4031