

# Owner's Instruction and Operation Manual



## BRECKWELL

Model Number:

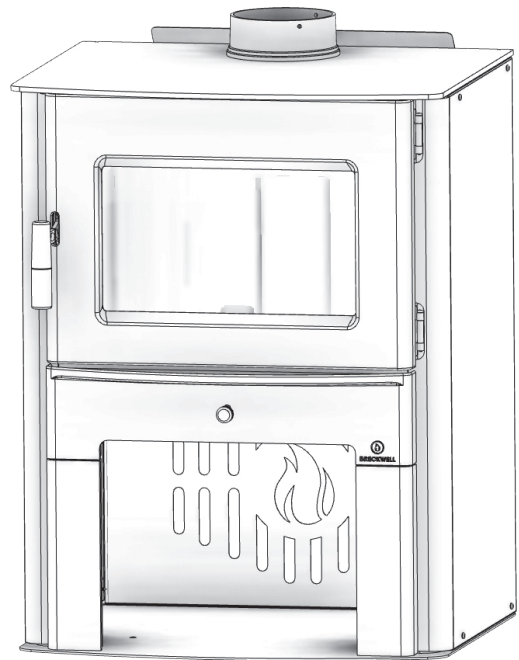
**SW2.5**



Report Number: F20-608

Tested Per EPA Methods ALT-125, ASTM E2515, ASTM E3053 and CSA B415 Certified to UL 1482-2011 (R2015) and ULC-S627-00-REV1

Approved for mobile home installation in the USA ONLY



\* All Pictures In This Manual Are For Illustrative Purposes Only. Actual Product May Vary.

853763D-1805K

Save These Instructions In A Safe Place For Future Reference.



**SAFETY NOTICE:** If this heater is not properly installed, a house fire may result. For your safety, follow the installation instructions. Never use make-shift compromises during the installation of this heater. Contact local building or fire officials about permits, restrictions and installation requirements in your area. **NEVER OPERATE THIS PRODUCT WHILE UNATTENDED.**



**CAUTION!** Please read this entire manual before you install or use your new room heater. Failure to follow instructions may result in property damage, bodily injury, or even death. Improper Installation Will Void Your Warranty!

### U.S. Environmental Protection Agency

Certified to comply with 2020 particulate emissions standards.



### CALIFORNIA PROPOSITION 65 WARNING:

This product can expose you to chemicals including carbon monoxide, which is known to the State of California to cause cancer, birth defects, and/or other reproductive harm. For more information, go to [www.P65warnings.ca.gov](http://www.P65warnings.ca.gov)

THIS MANUAL IS SUBJECT TO CHANGE WITHOUT NOTICE.

This manual describes the installation and operation of the Breckwell SW2.5 wood heater. This heater meets the 2020 U.S. Environmental Protection Agency’s cordwood emission limits for wood heaters sold after May 15, 2020. Under specific test conditions this heater has been shown to deliver heat at rates ranging from 20,374 to 60,065 Btu/hr with 0.88 g/hr and 73% efficiency. Note: The BTU ratings mentioned above are based on the EPA test protocol under specific test conditions. Our advertised BTU’s are based on the first hour of operation at high burn rate burning dry cordwood.

Combustible:	Wood
Colors:	Black
Flue Pipe Diameter:	6" (153 mm)
Flue Pipe Type: Standard Single Wall:	Black or Blued Steel 2100°F (650°C)
Minimum Chimney Height:	12' (3.7 m)
Maximum Log Length:	21" (534 mm)
Electrical:	120 VAC, 60 Hz, 0.4 Amps, 31 W
Dimensions	
Overall: Depth x Width x Height:	26-1/4" x 27-5/16" x 37-11/16" (667 mm x 694 mm x 958 mm)
Combustion Chamber: Width x Depth:	22-3/4" x 16-11/16" (578 mm x 424 mm)
Firebox Volume: Cubic Feet:	2.73 cf <sup>3</sup>
Door Opening: Width x Height:	18" x 10" (458 mm X 254 mm)
Pyroceramic Glass Door: (Viewing) Width x Height:	16" x 9" (407 mm X 229 mm)

**CAUTIONS:**

- **HOT WHILE IN OPERATION. KEEP CHILDREN, CLOTHING AND FURNITURE AWAY. CONTACT MAY CAUSE SKIN BURNS.**
- **DO NOT USE CHEMICALS OR FLUIDS TO IGNITE THE FIRE.**
- **DO NOT LEAVE THE STOVE UNATTENDED WHEN THE DOOR IS SLIGHTLY OPENED.**
- **DO NOT BURN GARBAGE, FLAMMABLE FLUID SUCH AS GASOLINE, NAPHTHA OR MOTOR OIL.**
- **DO NOT CONNECT TO ANY AIR DISTRIBUTION DUCT OR SYSTEM.**
- **ALWAYS CLOSE THE DOOR AFTER THE IGNITION.**

**WARNING:**

**IT IS AGAINST FEDERAL REGULATIONS TO OPERATE THIS WOOD HEATER IN A MANNER INCONSISTENT WITH THE OPERATING INSTRUCTIONS IN THE OWNER’S MANUAL.**

**RETAIN YOUR ORIGINAL RECEIPT FOR ANY WARRANTY CLAIMS. CONTACT YOUR DEALER OR INSTALLER IF YOU NEED TO FILE A CLAIM.**

# INSTALLATION CHECKLIST



Your wood stove should be installed by a qualified installer only. An NFI qualified Installer can be found at [www.nficertified.org/public/find-an-nfi-pro/](http://www.nficertified.org/public/find-an-nfi-pro/)

For customer service, please contact your Breckwell dealer.

## COMMISSIONING CHECKLIST

This checklist is to be completed in full by the qualified person who installs this unit. Keep this page for future reference. Failure to install and commission according to the manufacturer's instructions and complete this checklist will invalidate the warranty.

Please Print

Customer Name:										Telephone Number:									
Address:																			
Model:																			
Serial Number:																			
Installation Company Name:										Phone Number:									
Installation Technician's Name:										License Number:									

## DESCRIPTION OF WORK

Location of installed appliance: \_\_\_\_\_

Chimney System: New Chimney System  Yes  No If yes, Brand \_\_\_\_\_

If no, Date of inspection of the existing chimney system: \_\_\_\_\_

## COMMISSIONING

- Confirm Hearth Pad Installation as per Installation Instructions .....
- Confirm proper placement of internal parts .....
- Check soundness of door gasket and door seals .....
- Confirm clearances to combustibles as per installation instructions in this manual .....
- Check the operations of the air controls .....
- Confirm all flue pipe and chimney system are secure and sealed .....
- Confirm the stove properly drafts when fired.....
- Check to ensure a CO alarm is installed as per local building codes and is functional.....
- Explain the safe operation, proper fuel usage, cleaning and routine maintenance requirements .....

Declaration of Completion: As the qualified person responsible for the work described above, I confirm that the appliance as associated work has been installed as per manufacturer's instructions and following any applicable building and installation codes.

Signed: \_\_\_\_\_ Print Name: \_\_\_\_\_ Date: \_\_\_\_\_

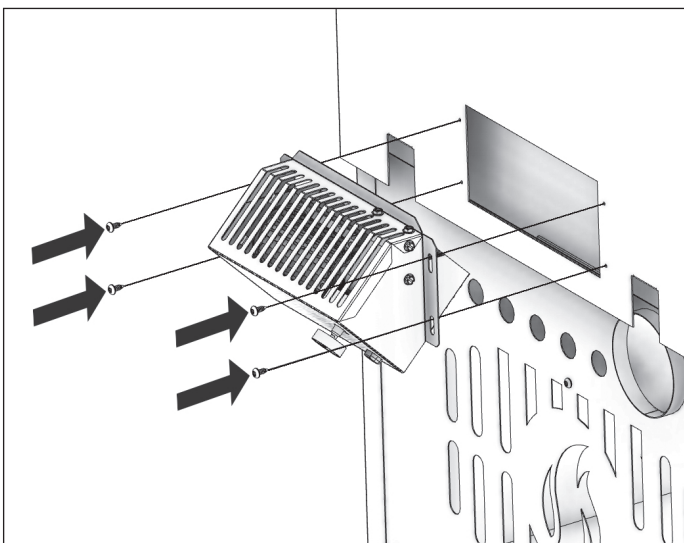
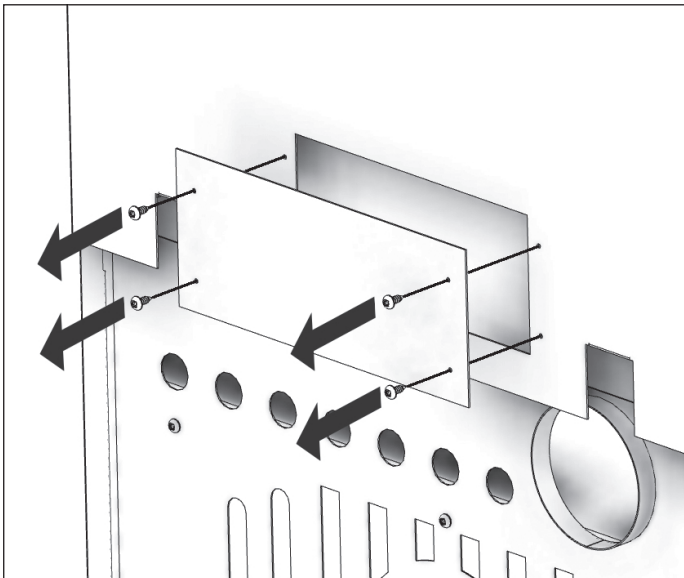
**Home Owner: RETAIN THIS INFORMATION FOR FUTURE REFERENCE**

## UNPACK AND INSPECT

Remove the packing from the appliance and inspect for any damage. Ensure that the bricks are positioned correctly and not broken (see illustration for proper brick arrangement). Make sure that the baffle board, above the air tubes, is in place and undamaged.

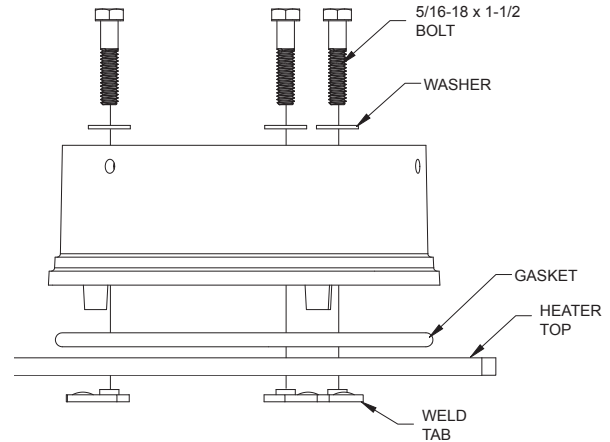
## OPTIONAL BLOWER ASSEMBLY

The blower assembly must be disconnected from the source of electrical supply before attempting the installation. The blower assembly is intended for use only with a stove that is marked to indicate such use. Do not route the supply cord near or across hot surfaces! Remove the cover plate. Attach the assembly to the back of the stove with the four screws provided.



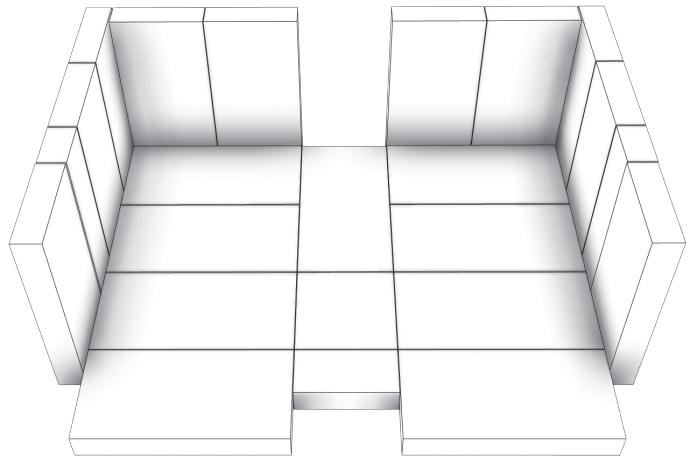
## FLUE COLLAR ASSEMBLY

Mount the flue collar to the top of the unit as shown using the (3) 5/16-18 x 1-1/2 bolts, (3) washers, and (3) weld tabs provided in the parts box.



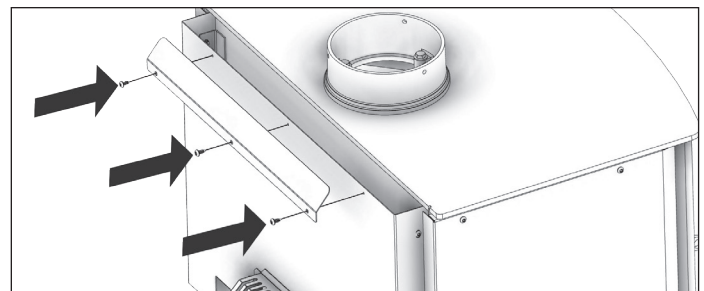
## FIREBRICK CONFIGURATION

Replace the firebrick as shown in the illustration.



## AIR DEFLECTOR ASSEMBLY

Use the provided screws to attach the air deflector to the rear of the unit.



## SAFETY NOTICE

- **IF THIS STOVE IS NOT PROPERLY INSTALLED, A HOUSE FIRE MAY RESULT. TO REDUCE THE RISK OF FIRE, FOLLOW THE INSTALLATION INSTRUCTIONS.**
- **CONSULT YOUR MUNICIPAL BUILDING DEPARTMENT OR FIRE OFFICIALS ABOUT PERMITS, RESTRICTIONS AND INSTALLATIONS REQUIREMENTS IN YOUR AREA.**
- **USE SMOKE DETECTORS IN THE ROOM WHERE YOUR STOVE IS INSTALLED.**
- **KEEP FURNITURE AND DRAPES WELL AWAY FROM THE STOVE.**
- **NEVER USE GASOLINE, GASOLINE-TYPE LANTERN FUEL, KEROSENE, CHARCOAL LIGHTER FLUID, OR SIMILAR LIQUIDS TO START OR "FRESHEN UP" A FIRE IN THIS HEATER. KEEP ALL SUCH LIQUIDS WELL AWAY FROM THE HEATER WHILE IT IS IN USE.**
- **IN THE EVENT OF A CHIMNEY FIRE, PUSH THE AIR CONTROL FULL CLOSED TO DEPRIVE THE FIRE OF OXYGEN. CALL THE FIRE DEPARTMENT.**
- **DO NOT CONNECT TO ANY AIR DISTRIBUTION DUCT OR SYSTEM.**
- **A SOURCE OF FRESH AIR INTO THE ROOM OR SPACE HEATED SHALL BE PROVIDED WHEN REQUIRED.**



We recommend that our woodburning hearth products be installed and serviced by professionals who are certified in the U.S. by the National Fireplace Institute® (NFI) as NFI Woodburning Specialists or who are certified in Canada by Wood Energy Technical Training (WETT).



US Stove highly recommends your stove be installed by a qualified NFI (US) or WETT (Canada) technician. To find the nearest qualified installer, go to:

<https://nficertified.org>,

<https://www.wettinc.ca/>

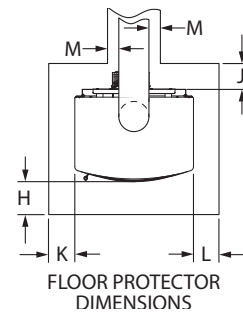
## POSITIONING THE STOVE

It is very important to position the wood stove as close as possible to the chimney, and in an area that will favor the most efficient heat distribution possible throughout the house. The stove must therefore be installed in the room where the most time is spent, and in the most spacious room possible. Recall that wood stoves produce radiating heat, the heat we feel when we are close to a wood stove. A wood stove also functions by convection, that is through the displacement

of hot air accelerated upwards and its replacement with cooler air. If necessary, the hot air distribution from the stove may be facilitated by the installation of a blower. The wood stove must not be hooked up to a hot air distribution system since an excessive accumulation of heat may occur. A wood stove must never be installed in a hallway or near a staircase, since it may block the way in case of fire or fail to respect required clearances.

## FLOOR PROTECTOR

This heater must have a non-combustible floor protector (ember protection) installed beneath it if the floor is of combustible material. If a floor pad is used, it should be UL listed or equal. The floor pad or non-combustible surface should be large enough to extend under the stove and beyond each side as indicated. If there is a horizontal run of flue pipe, there needs to be floor protection under it that extends two inches beyond either side of the pipe.



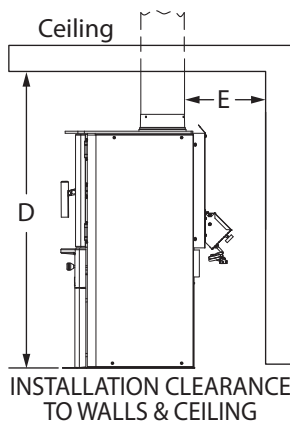
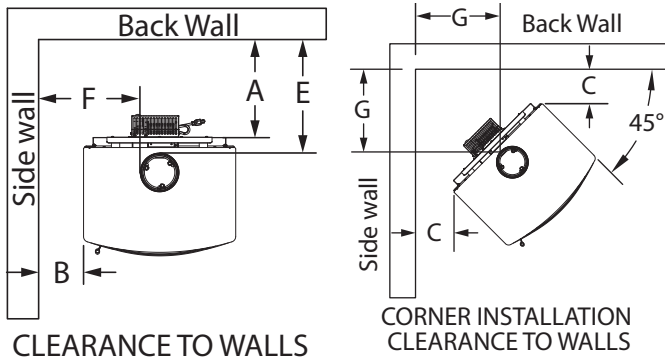
*H	Front	16"	407mm
J	Back	2"	51mm
K	Left	8"	204mm
L	Right	8"	204mm
M	Flue Pipe Sides	2"	51mm
* Canadian installations require 18" (457mm)			

## CLEARANCES TO COMBUSTIBLES

It is of utmost importance that the clearances to combustible materials be strictly adhered to during installation of the stove. Refer to the provided tables.

- Do not place any combustible material within 4' (1.2m) of the front of the unit.
- The clearance between the flue pipe and a wall are valid only for vertical walls and for vertical flue pipe.
- The chimney connector must not pass through an attic or roof space, closet or similar concealed space, a floor, or a ceiling.
- For Canadian installations, where passage through a wall, or partition of combustible construction is desired, the installation must conform to CAN/CSA-B365.

- A flue pipe crossing a combustible wall must have a minimum clearance of 18" (457.2mm).
- To reduce flue clearances from combustible materials, contact your local safety department.

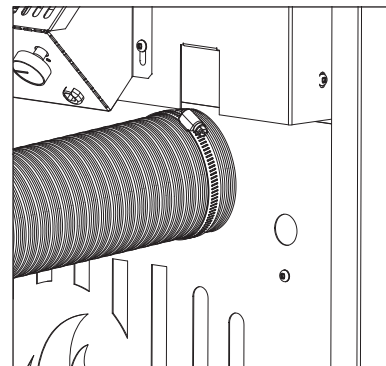
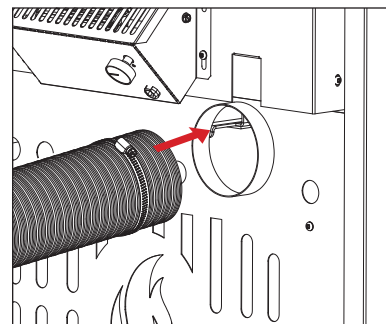


		in	mm
A	Back Wall to Stove	15	381
B	Sidewall to Stove	18	457
C	Wall to corner (Angled Installation)	19	483
D	Ceiling Height	84	2134
E	Back Wall to Flue	18-1/2	470
F	Sidewall to Flue	28-1/2	724
G	Wall to Flue (Angled Installation)	29	737

## OUTSIDE COMBUSTION AIR

Your wood stove is approved to be installed with an outside air intake (4FAK) which is necessary for a mobile home. This type of installation is also required in air tight houses and houses with negative pressure problems. You can purchase this option through your heater dealer. Make sure to specify the part number mentioned in this booklet. Installation instructions are supplied with the air intake kit. Outside combustion air may be required if

1. Your stove does not draw steadily, smoke roll-out occurs, wood burns poorly, or back-drafts occur whether or not there is combustion present.
2. Existing fuel-fired equipment in the house, such as fireplaces or other heating appliances, smell, do not operate properly, suffer smoke roll-out when opened, or back-drafts occur whether or not there is combustion present.
3. Opening a window slightly on a calm (windless) day alleviates any of the above symptoms.
4. The house is equipped with a well-sealed vapor barrier and tight fitting windows and/or has any powered devices that exhaust house air.
5. There is excessive condensation on windows in the winter.
6. A ventilation system is installed in the house



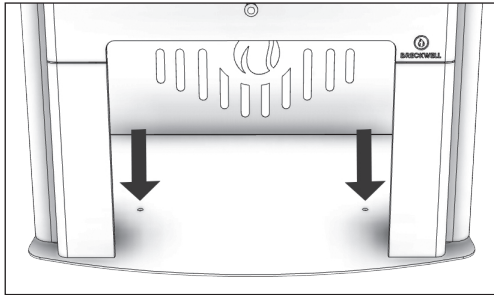
Slide the hose clamp over the aluminium flex pipe. Then slide the flex pipe over the air intake tube of the stove. Next tighten the hose clamp over the end of the aluminium flex hose.

### FOR USE IN MOBILE HOMES (U.S. ONLY)

- **WARNING! DO NOT INSTALL IN SLEEPING ROOM.**
- **CAUTION! THE STRUCTURAL INTEGRITY OF THE MOBILE HOME FLOOR, WALL, AND CEILING/ROOF MUST BE MAINTAINED.**
- **THE STOVE MUST BE ATTACHED TO THE STRUCTURE OF THE MOBILE HOME.**

## SECURE APPLIANCE TO THE FLOOR

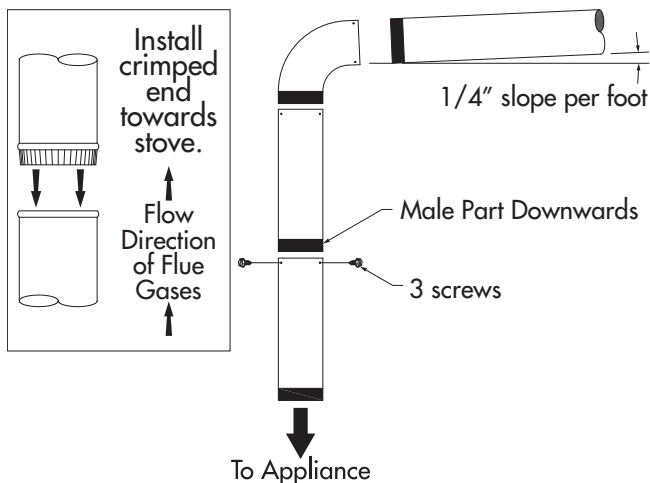
Use the designated holes to secure the unit to the floor.



In addition to the previously detailed installation requirements, mobile home installations must meet the following requirements:

- The heater must be permanently attached to the floor. There are two holes in the base, use 3/8" bolts through the floor.
- The heater must be electrically grounded to the steel chassis of the mobile home with 8 GA copper wire using a serrated or star washer to penetrate paint or protective coating to ensure grounding.
- When moving your mobile home, all exterior venting must be removed while the mobile home is being relocated. After relocation, all venting must be reinstalled and securely fastened.
- Outside Air is mandatory for mobile home installation. See your dealer for purchasing.
- Check with your local building officials as other codes may apply.
- Only use the specified components listed in this manual for this unit. The use of components that are not meant for this unit can cause unsafe conditions.

## CHIMNEY CONNECTOR (STOVEPIPE)



The chimney connector and chimney must have the same diameter as the stove outlet (6"). If this is not the case, we recommend you contact your dealer to ensure there will be no problem with the draft. The stovepipe must be made of aluminized or cold roll steel and have a minimum thickness of 0.021" or 0.53 mm. It is strictly forbidden to use galvanized steel. The smoke pipe should be assembled to promote the male section (crimped end) of the pipe to be faced down. Attach each section to another with three equidistant metal screws. The pipe must be short and straight. All sections installed horizontally must slope at least 1/4 inch per foot, with the upper end of the section toward the chimney. Any installation with a horizontal run of chimney pipe must conform to NFPA 211. Contact NFPA (National Fire Protection Association) and request the latest edition of the NFPA Standard 211. To ensure a good draft, the total length of the coupling pipe should never exceed 8' to 10' (2.4m to 3.04m). Except for cases of vertical installation, in a cathedral-roof style where the smoke exhaust system can be much longer and connected without problem to the chimney at the ceiling of the room. There should never be more than two 90 degrees elbows in the smoke exhaust system. The installation of a "barometric draft stabilizer" (fireplace register) on a smoke exhaust system is prohibited. Furthermore, the installation of a draft damper is not recommended. With a controlled combustion wood stove, the draft is regulated upon intake of the combustion air in the stove and not at the exhaust.

## IMPORTANCE OF PROPER DRAFT

Draft is a force that moves air from the appliance up through the chimney. The amount of draft in your chimney depends on the length of the chimney, local geography, nearby obstructions and other factors. Too much draft may cause excessive temperatures in the appliance. An inadequate draft may cause back-puffing into the room and "plugging" of the chimney. An inadequate draft will cause the appliance to leak smoke into the room through appliance and chimney connector joints. An uncontrollable burn or excessive temperature indicates an excessive draft.

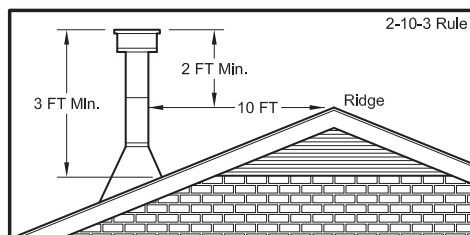
## CHIMNEY

Your wood stove may be hooked up with a 6" factory-built or masonry chimney. If you are using a factory-built chimney, it must comply with UL 103 or CSA-B365 standard; therefore it must be a Type HT (2100°F). It must be installed according to the manufacturer's specifications. Take into account the chimney's location to ensure it is not too close to neighbors or in a valley which may cause unhealthy or nuisance conditions. If you are using a masonry chimney, it must be built in compliance with the specifications of the National Building Code. It must be lined with fire clay bricks, metal

or clay tiles sealed together with fire cement. Round flues are the most efficient. The interior diameter of the chimney flue must be identical to the stove smoke exhaust. A flue which is too small may cause draft problems, while a large flue favors rapid cooling of the gas, and hence the build-up of creosote and the risk of chimney fires. Note that it is the chimney and not the stove which creates the draft effect; your stove's performance is directly dependent on an adequate draft from your chimney. **DO NOT CONNECT THIS UNIT TO A CHIMNEY FLUE SERVING ANOTHER APPLIANCE.**

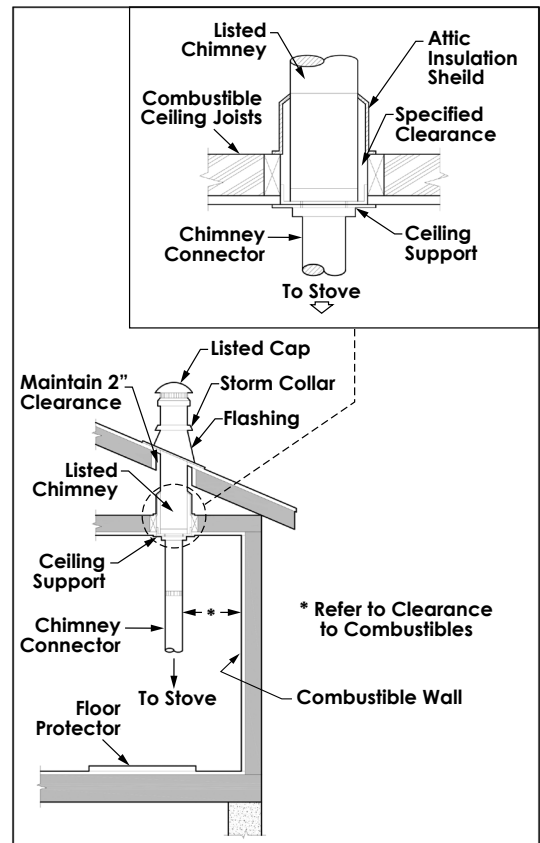
The following recommendations may be useful for the installation of your chimney:

1. It must rise above the roof at least 3' (0.9m) from the uppermost point of contact.
2. The chimney must exceed any part of the building or other obstruction within a 10' (3.04m) distance by a height of 2' (0.6m).
3. The installation of an interior chimney is always preferable to an exterior chimney. Indeed, the interior chimney will, by definition, be hotter than an exterior chimney, being heated up by the ambient air in the house. Therefore the gas which circulates will cool more slowly, thus reducing the build-up of creosote and the risk of chimney fires.
4. The draft caused by the tendency for hot air to rise will be increased with an interior chimney.
5. Using a fire screen at the extremity of the chimney requires regular inspection to ensure that it is not obstructed thus blocking the draft, and it should be cleaned when used regularly.

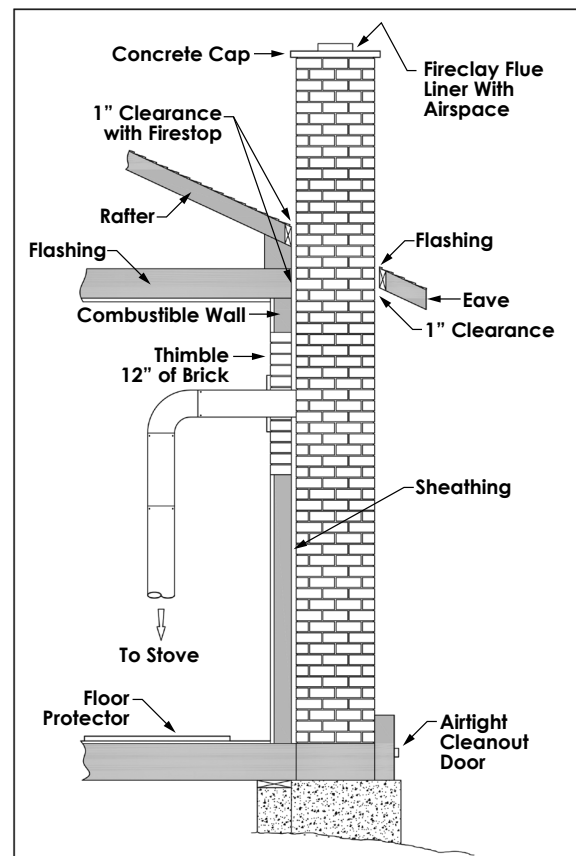


## FACTORY BUILT CHIMNEY

When a metal prefabricated chimney is used, the manufacturer's installation instructions must be followed. You must also purchase (from the same manufacturer) and install the ceiling support package or wall pass-through and "T" section package, firestops (where needed), insulation shield, roof flashing, chimney cap, etc. Maintain proper clearance to the structure as recommended by the manufacturer. The chimney must be the required height above the roof or other obstructions for safety and proper draft operation.



## MASONRY CHIMNEY

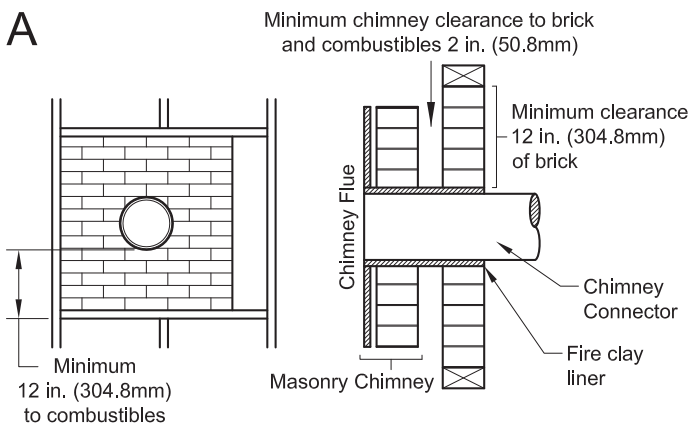




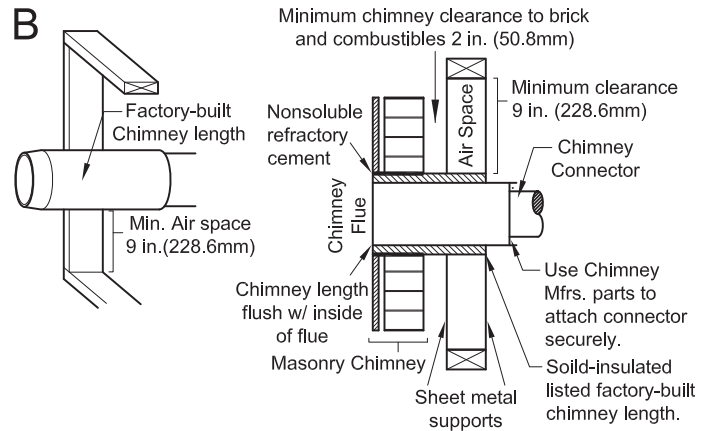
Ensure that a masonry chimney meets the minimum standards of the National Fire Protection Association (NFPA) by having it inspected by a professional. Make sure there are no cracks, loose mortar or other signs of deterioration and blockage. Be sure to the chimney cleaned before the stove is installed and operated. When connecting the stove through a combustible wall to a masonry chimney, special methods are needed.

## COMBUSTIBLE WALL CHIMNEY CONNECTOR PASS-THROUGHS

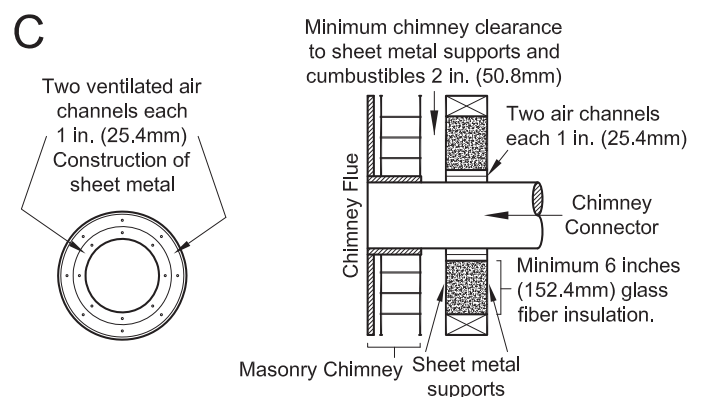
**METHOD A - 12" (305 mm) Clearance to Combustible Wall Member:** Using a minimum thickness 3.5" (89 mm) brick and a 5/8" (16 mm) minimum wall thickness clay liner, construct a wall pass-through. The clay liner must conform to ASTM C315 (Standard Specification for Clay Fire Linings) or its equivalent. Keep a minimum of 12" (305 mm) of brick masonry between the clay liner and wall combustibles. The clay liner shall run from the brick masonry outer surface to the inner surface of the chimney flue liner but not past the inner surface. Firmly grout or cement the clay liner in place to the chimney flue liner.



**METHOD B - 9" (229 mm) Clearance to Combustible Wall Member:** Using a 6" (153 mm) inside diameter, listed, factory-built Solid-Pak chimney section with insulation of 1" (26 mm) or more, build a wall pass-through with a minimum 9" (229 mm) air space between the outer wall of the chimney length and wall combustibles. Use sheet metal supports fastened securely to wall surfaces on all sides, to maintain the 9" (229 mm) air space. When fastening supports to chimney length, do not penetrate the chimney liner (the inside wall of the Solid-Pak chimney). The inner end of the Solid-Pak chimney section shall be flush with the inside of the masonry chimney flue, and sealed with a non-water soluble refractory cement. Use this cement to also seal to the brick masonry penetration.

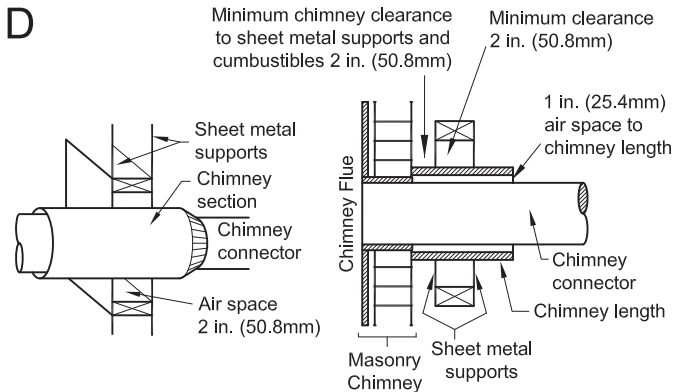


**METHOD C - 6" (153 mm) Clearance to Combustible Wall Member:** Starting with a minimum 24 gage (.024" [.61 mm]) 6" (153 mm) metal chimney connector, and a minimum 24 gage ventilated wall thimble which has two air channels of 1" (26 mm) each, construct a wall pass-through. There shall be a minimum 6" (153 mm) separation area containing fiberglass insulation, from the outer surface of the wall thimble to wall combustibles. Support the wall thimble, and cover its opening with a 24-gage minimum sheet metal support. Maintain the 6" (153 mm) space. There should also be a support sized to fit and hold the metal chimney connector. See that the supports are fastened securely to wall surfaces on all sides. Make sure fasteners used to secure the metal chimney connector do not penetrate chimney flue liner.



**METHOD D - 2" (51 mm) Clearance to Combustible Wall Member:** Start with a solid-pak listed factory built chimney section at least 12" (304 mm) long, with insulation of 1" (25.4 mm) or more, and an inside diameter of 8" (2 inches [51 mm] larger than the 6" [153 mm] chimney connector). Use this as a pass-through for a minimum 24-gauge single wall steel chimney connector. Keep solid-pak section concentric with and spaced 1" (26 mm) off the chimney connector by way of sheet metal support plates at both ends of chimney section. Cover opening with and support

chimney section on both sides with 24 gage minimum sheet metal supports. See that the supports are fastened securely to wall surfaces on all sides. Make sure fasteners used to secure chimney flue line do not penetrate the inner liner.



**NOTES:**

- Connectors to a masonry chimney, excepting method B, shall extend in one continuous section through the wall pass-through system and the chimney wall, to but not past the inner flue liner face.
- A chimney connector shall not pass through an attic or roof space, closet or similar concealed space, or a floor, or ceiling.

## OPERATION

### NEVER OPERATE THIS PRODUCT WHILE UNATTENDED

**OPERATING SAFETY PRECAUTIONS**

- **NEVER OVERFIRE THIS APPLIANCE BY BUILDING EXCESSIVELY HOT FIRES AS A HOUSE/BUILDING FIRE MAY RESULT. YOU ARE OVERFIRING THE APPLIANCE IF IT BEGINS TO GLOW OR TURN RED.**
- **NEVER BUILD EXCESSIVELY LARGE FIRES IN THIS TYPE OF APPLIANCE AS DAMAGE TO THE FIREBOX OR SMOKE LEAKAGE MAY RESULT.**
- **DO NOT BUILD FIRE TOO CLOSE TO THE GLASS.**
- **HOT WHILE IN OPERATION. KEEP CHILDREN, CLOTHING, AND FURNITURE AWAY. CONTACT MAY CAUSE SKIN BURNS. DO NOT TOUCH THE APPLIANCE UNTIL IT HAS COOLED.**
- **PROVIDE ADEQUATE AIR FOR COMBUSTION TO THE ROOM WHERE THE APPLIANCE IS INSTALLED.**
- **INSPECT CHIMNEY LINER EVERY 60 DAYS. REPLACE LINER IMMEDIATELY IF IT IS RUSTING OR LEAKING SMOKE INTO THE ROOM.**
- **ATTEMPTS TO ACHIEVE HEAT OUTPUT RATES THAT EXCEED HEATER DESIGN SPECIFICATIONS CAN RESULT IN PERMANENT DAMAGE TO THE HEATER.**

**WARNING: EXPLOSION HAZARD**

- **NEVER USE CHEMICALS, GASOLINE, GASOLINE-TYPE LANTERN FUEL, KEROSENE, CHARCOAL LIGHTER FLUID, OR SIMILAR FLAMMABLE LIQUIDS TO START OR "FRESHEN UP" A FIRE IN THE APPLIANCE.**
- **KEEP ALL FLAMMABLE LIQUIDS, ESPECIALLY GASOLINE, OUT OF THE VICINITY OF THE APPLIANCE - WHETHER IN USE OR IN STORAGE.**

**CAUTIONS: HOUSE FIRE HAZARDS**

- **DO NOT STORE WOOD ON FLOOR PROTECTOR, UNDERNEATH STOVEPIPE(S) OR ANYWHERE WITHIN CLEARANCES TO COMBUSTIBLE SURFACES SPECIFIED FOR THIS APPLIANCE.**
- **NEVER OPERATE WITH SECONDARY TUBES, FIBERBOARD, OR INSULATION REMOVED.**

**WOOD STOVE UTILIZATION**

Your heating appliance was designed to burn well seasoned natural wood only; no other materials should be burned. Any type of well seasoned natural wood may be used in your stove, but specific varieties have better energy yields than others. Higher efficiencies and lower emissions generally result when burning air dried seasoned hardwoods, as compared to softwoods or too green or freshly cut hardwoods. The following resources can assist in

learning the burn characteristics of various species of wood: <http://firewoodresource.com/firewood-btu-ratings/>; or <https://forestry.usu.edu/forest-products/wood-heating>. The operation of this wood heater in a manner inconsistent with the owner's manual will void your warranty and is also against federal regulations. Waste and other flammable materials should not be burned in your stove. **DO NOT BURN:**

1. Garbage;
2. Lawn clippings or yard waste;
3. Materials containing rubber, including tires;
4. Materials containing plastic;
5. Waste petroleum products, paints or paint thinners, or asphalt products;
6. Materials containing asbestos;
7. Construction or demolition debris;
8. Railroad ties or pressure-treated wood;
9. Manure or animal remains;
10. Saltwater driftwood or other previously salt water-saturated materials;
11. Unseasoned wood; or
12. Paper products, cardboard, plywood, or particleboard. The prohibition against burning these materials does not prohibit the use of fire starters made from paper, cardboard, sawdust, wax, and similar substances to start a fire in an affected wood heater.

Burning these materials may result in the release of toxic fumes or render the heater ineffective and cause smoke. Deadwood lying on the forest floor should be considered wet and requires full seasoning time. Standing deadwood can usually be considered to be about 2/3 seasoned. Smaller pieces of wood will dry faster. All logs exceeding 6" in diameter should be split. The wood should not be stored directly on the ground. Air should circulate through the logs. A 24" to 48" air space should be left between each row of logs, which should be placed in the sunniest location possible. The upper layer of wood should be protected from the element but not the sides. A good indicator of if the wood is ready to burn is to check the piece ends. If cracks are radiating in all directions from the center then the wood should be dry enough to burn. If your wood sizzles in the fire, even though the surface is dry, it may not be fully cured and should be seasoned longer. It is **EXTREMELY IMPORTANT** that you use **DRY WOOD** only in your wood stove. The wood should have dried for 9 to 15 months, such that the humidity content (in weight) is reduced below 20% of the weight of the log. It is very important to keep in mind that even if the wood has been cut for one, two,

or even more years, it is not necessarily dry, if it has been stored in poor conditions. Under extreme conditions, it may rot instead of drying. This point cannot be overstressed; the vast majority of the problems related to the operation of a wood stove is caused by the fact that the wood used was too damp or had dried in poor conditions. These problems can be:

- ignition problems
- creosote build-up causing chimney fires
- low energy yield
- blackened windows
- incomplete log combustion

**Do not burn manufactured logs made of wax impregnated sawdust or logs with any chemical additives.**



Manufactured logs made of 100% compressed sawdust can be burned, but be careful burning too much of these logs at the same time. Start with one manufactured log and see how the stove reacts. You can increase the number of logs burned at a time but make sure the temperature never rises higher than 475 °F (246 °C) on a magnetic thermometer for installation on single wall stove pipes. The thermometer should be placed about 18" (457 mm) above the stove. Higher temperatures can lead to overheat and damage your stove.

## TESTING YOUR WOOD

- When the stove is thoroughly warmed, place one piece of split wood (about five inches in diameter) parallel to the door on the bed of red embers.
- Keep the air control fully open and close the door. If the wood ignites within 90 seconds from the time it was placed in the stove, your wood is correctly dried. If ignition takes longer, your wood is damp.
- If your wood hisses and water or vapor escapes at the ends of the piece, your wood is soaked or freshly cut (green). Do not use this wood in your stove. Large amounts of creosote could be deposited in your chimney, creating potential conditions for a chimney fire.

## TAMPER WARNING

This wood heater has a manufacturer-set minimum low burn rate that must not be altered. It is against federal regulations to alter this setting or otherwise operate this wood heater in a manner inconsistent with operating instructions in this manual.

## EFFICIENCIES

Efficiencies can be based on either the lower heating value (LHV) or the higher heating value (HHV) of the fuel. The

lower heating value is when water leaves the combustion process as a vapor, in the case of woodstoves the moisture in the wood being burned leaves the stove as a vapor. The higher heating value is when water leaves the combustion process completely condensed. In the case of woodstoves this would assume the exhaust gases are room temperature when leaving the system, and therefore calculations using this heating value consider the heat going up the chimney as lost energy. Therefore, efficiency calculated using the lower heating value of wood will be higher than efficiency calculated using the higher heating value. The best way to achieve optimum efficiencies is to learn the burn characteristic of your appliance and burn well-seasoned wood. Higher burn rates are not always the best heating burn rates; after a good fire is established a lower burn rate may be a better option for efficient heating. A lower burn rate slows the flow of usable heat out of the home through the chimney, and it also consumes less wood.

### NOTICE INITIAL BURNS TO CURE PAINT

BECAUSE OF HIGH OPERATING TEMPERATURES, THIS APPLIANCE IS COATED WITH A SPECIAL HIGH TEMP PAINT WHICH REQUIRES A SERIES OF LOW TO MEDIUM BURNS TO FULLY CURE FOR DURABILITY AND A LIFETIME OF SERVICE.

Proper curing of the high-temp paint requires a series of three initial burns. The appliance should be allowed to cool off between each burn. The first two burns should be small fires and low temperatures (250°F) for a duration of 20 minutes each. The third fire should be at a temperature of approximately 500°F for 20 minutes. Provide adequate cross ventilation to clear any smoke or odor caused by initial firings.

**Notice: Use solid wood fuel only! Do not burn garbage, or flammable fluids. Do not use coal. This appliance is not designed to accommodate the air flow (draft) required to properly burn coal or coal products. Do not elevate the fire using grates or irons. Build the fire directly on the firebrick.**

### FUELING INSTRUCTIONS

**CAUTION:**  
**DO NOT LEAVE APPLIANCE UNATTENDED THE WITH DOOR OPEN.**

This wood stove has been certified by the US EPA to meet strict 2020 guidelines. To ensure this unit produces the optimal minimum emissions it is critical that only well-seasoned cordwood is burned (see the "Fuel Recommendations" section of this manual). Burning unseasoned wet wood only hurts your stove's efficiency and leads to accelerated

creosote buildup in your chimney. Be considerate of the environment and only burn dry wood.

For a cold start-up, place 4 to 5 pieces of newspaper into the firebox. On top of the newspaper, lay 4 lbs of kindling in random placement to ensure airflow through the kindling. On top of the kindling, place approximately 7 lbs of small pieces of cordwood. NOTE: Use smaller pieces of wood during start-up and a high burn rate to increase the stove temperature.



Pull the air control out fully. Light the newspaper and leave the door slightly open for about a minute. NOTE: You may have to leave it open a bit longer, depending on your chimney height and outdoor conditions. After about a minute (or once your fire is well started) close the door and allow the kindling to ignite. Once the kindling has burned down to a starter coal bed, load the unit with approximately 29 lbs of fuel for the first high burn load.

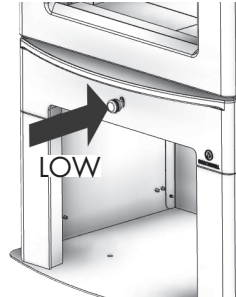
After the first high burn load and the stove is well warmed up, adjust the unit as needed for a medium or low burn setting.



For a medium burn, once the high burn fuel load is burned down to an established coal bed, load the unit with 34 lbs of cordwood and close the door immediately. Leave the air control fully open (in the "HI" position) for 5 minutes. After 5 minutes push in the air control to the medium position (midway between the "Low" and "Hi" position).



For a low burn setting once the high burn (or medium) fuel load is burned down to an established coal bed, load the unit with 32 lbs of cordwood and close the door immediately. Leave the air control fully open (in the “HI” position) for 4.5 minutes then close halfway. After 15 minutes begin to push the air control in to the “Low” position (air control fully pushed in). NOTE: Do not close the air too quickly. Closing the air too quickly will cause the unit to smoke.



### WARNINGS:

- NEVER OVERFIRE YOUR STOVE. IF ANY PART OF THE STOVE STARTS TO GLOW RED, OVER FIRING IS HAPPENING. READJUST THE AIR INTAKE CONTROL AT A LOWER SETTING.
- THE INSTALLATION OF A LOG CRADLE OR GRATES IS NOT RECOMMENDED IN YOUR WOOD STOVE. BUILD FIRE DIRECTLY ON FIREBRICK.
- NEVER PUT WOOD ABOVE THE FIREBRICK LINING OF THE FIREBOX.
- ATTEMPTS TO ACHIEVE HEAT OUTPUT RATES THAT EXCEED HEATER DESIGN SPECIFICATIONS CAN RESULT IN PERMANENT DAMAGE TO THE HEATER.

## VISIBLE SMOKE

The amount of visible smoke being produced can be an effective method of determining how efficiently the combustion process is taking place in the given settings. Visible smoke consists of unburned fuel and moisture leaving your stove. Learn to adjust the air settings of your specific unit to produce the smallest amount of visible smoke. Wood that has not been seasoned properly and has a high wood moisture content will produce excess visible smoke and burn poorly.

## AIR TUBES

The air tubes assembled in this unit are designed to provide an accurate mix of secondary air to ensure the highest efficiency. Any damage or deterioration of these tubes may reduce the efficiency of combustion. The air tubes are held in position by screws or snap pins. Locate these to either side of the tube and remove it to allow the tube to be removed and replaced.

## (OPTIONAL) BLOWER OPERATION

The variable speed blower circulates air warmed by the firebox into the living area to distribute the heat more evenly. If the Rotary Switch is turned on, the blower will automatically come on and off based on stove temperature. The blower control knob is located on the side of the blower housing. Turn the knob clockwise to turn the blower on. The speed is controlled by turning the knob clockwise for slower speeds and counter-clockwise for faster speeds. To turn the blower off, turn the speed control knob fully counter-clockwise. It is recommended to turn the blower off when the unit is not in operation. The blower needs to be removed and air-blown clean. Make sure the blades do not have build up.

## NEVER OPERATE THIS PRODUCT WHILE UNATTENDED

**CAUTION:**

**DO NOT OVERFIRE APPLIANCE. YOU ARE OVERFIRING IF ANY PART OF THE APPLIANCE GLOWS RED. CLOSE THE DOOR AND SHUT DAMPER IMMEDIATELY TO REDUCE THE AIR SUPPLY AND SLOW DOWN THE FIRE.**

**CAUTION:**

**SLOW BURNING FIRES FOR EXTENDED USE OR BURNING GREEN WOOD MAY CAUSE EXCESSIVE CREOSOTE BUILD-UP. IGNITION OF CREOSOTE OR OVERFIRING COULD CAUSE A CHIMNEY FIRE. CHIMNEY FIRES BURN EXTREMELY HOT AND MAY IGNITE SURROUNDING COMBUSTIBLE MATERIALS. IN CASE OF A CHIMNEY FIRE, CALL THE FIRE DEPARTMENT IMMEDIATELY!**

cool, then inspect the chimney for damage. If no damage results, perform a chimney cleaning to ensure no more creosote deposits is remaining in the chimney.

**CAUTION:**

**A CHIMNEY FIRE MAY CAUSE IGNITION OF WALL STUDS OR RAFTERS WHICH WERE ASSUMED TO BE A SAFE DISTANCE AWAY FROM THE CHIMNEY. IF A CHIMNEY FIRE OCCURS, HAVE YOUR CHIMNEY INSPECTED BY A QUALIFIED EXPERT BEFORE USING AGAIN.**

### CREOSOTE FORMATION & NEED FOR REMOVAL

When wood is burned slowly, it produces tar and other organic vapors, which combine with expelled moisture to form creosote. The creosote vapors condense in the relatively cool chimney flue of a slow-burning fire. As a result, creosote residue accumulates on the flue lining. When ignited this creosote makes an extremely high temper fire. The chimney connector and chimney should be inspected at least once every two months during the heating season to determine if a creosote build-up has occurred. If creosote has accumulated (3 mm or more), it should be removed to reduce the risk of a chimney fire. We strongly recommend that you install a magnetic thermometer on your smoke exhaust pipe, approximately 18" above the stove. This thermometer will indicate the temperature of your gas exhaust fumes within the smoke exhaust system. The ideal temperature for these gases is somewhere between 275°F and 500°F. Below these temperatures, the build-up of creosote is promoted. Above 500°F, heat is wasted since a too large quantity is lost into the atmosphere.

### TO PREVENT CREOSOTE BUILD UP

- Always burn dry wood. This allows clean burns and higher chimney temperatures, therefore less creosote deposit.
- Leave the air control fully open for about 5 min. every time you reload the stove to bring it back to proper operating temperatures. The secondary combustion can only take place if the firebox is hot enough.
- Always check for creosote deposit once every two months and have your chimney cleaned at least once a year.
- If a chimney or creosote fire occurs, close all dampers immediately. Wait for the fire to go out and the heater to

### ASH REMOVAL & DISPOSAL

Whenever ashes get 3 to 4 inches deep in your firebox or ash pan, and when the fire has burned down and cooled, remove excess ashes. Leave an ash bed approximately 1 inch deep on the firebox bottom to help maintain a hot charcoal bed. Ashes should be placed in a metal container with a tight-fitting lid. The closed container of ashes should be placed on a non-combustible floor or the ground, away from all combustible materials, pending final disposal. The ashes should be retained in the closed container until all cinders have thoroughly cooled.

**CAUTIONS:**

- **ASHES COULD CONTAIN HOT EMBERS EVEN AFTER TWO DAYS WITHOUT OPERATING THE STOVE.**
- **THE ASH PAN CAN BECOME VERY HOT. WEAR GLOVES TO PREVENT INJURY.**
- **NEVER BURN THE STOVE WITH THE ASH TRAP OPEN. THIS WOULD RESULT IN OVER FIRING THE STOVE. DAMAGE TO THE STOVE AND EVEN HOUSE FIRE MAY RESULT.**

### SMOKE & CO MONITORS

Burning wood naturally produces smoke and carbon monoxide(CO) emissions. CO is a poisonous gas when exposed to elevated concentrations for extended periods. While the modern combustion systems in heaters drastically reduce the amount of CO emitted out the chimney, exposure to the gases in closed or confined areas can be dangerous. Make sure your stove gaskets and chimney joints are in good working order and sealing properly to ensure unintended exposure. It is recommended that you use both smoke and CO monitors in areas having the potential to generate CO.

### GLASS CARE

- Inspect and clean the glass regularly to detect any cracks. If you spot one, turn the stove off immediately. Do not

abuse the glass door by striking or slamming shut. Do not use the stove if the glass is broken.

- If the glass on your stove breaks, replace only with the glass supplied from your heater dealer. Never substitute other materials for the glass.
- To replace the glass, remove the screws retaining the glass moldings inside the door. Remove the moldings and replace the damaged piece with a new one. Perform the procedure backward after replacing it. When replacing the glass, you should change the glass gasket to make sure you keep it sealed.
- Never wash the glass with a product that may scratch. Use a specialized product, available in the stores where wood stoves are sold. The glass should be washed only when cold.

## GASKET CARE

**WARNING:**

**NEVER OPERATE THE STOVE WITHOUT A GASKET OR WITH A BROKEN ONE. DAMAGE TO THE STOVE OR EVEN HOUSE FIRE MAY RESULT.**

This unit's door uses a 1" diameter rope gasket. It is recommended that you change the door gasket (which makes your stove door air tight) once a year, in order to ensure good control over the combustion, maximum efficiency and security. To change the door gasket, simply remove the damaged one. Carefully clean the available gasket groove, apply a high temperature silicone sold for this purpose, and install the new gasket. You may light up your stove again approximately 24 hours after having completed this operation.

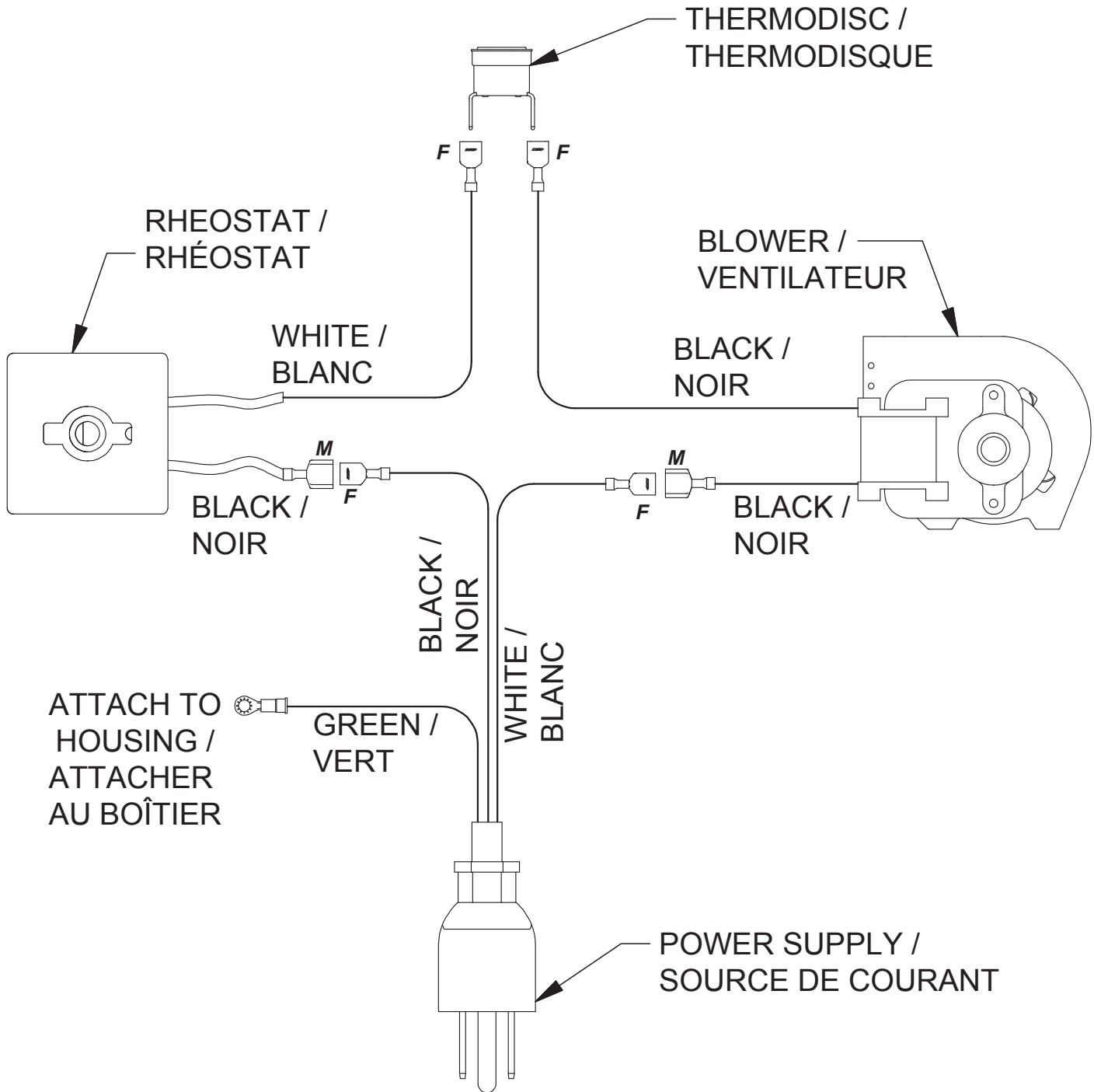
## HOW TO ORDER REPAIR PARTS

### CONTACT YOUR DEALER OR INSTALLER FOR PARTS AND SERVICE

The information in this owner's manual is specific to your unit. When ordering replacement parts the information in this manual will help to ensure the correct items are ordered. Before contacting customer service write down the model number and the serial number of this unit. That information can be found on the certification label attached to the back of the unit. Other information that may be needed would be the part number and part description of the item(s) in question. Part numbers and descriptions can be found in the "Repair Parts" section of this manual. Once this information has been gathered you can contact your Breckwell dealer or visit [www.Breckwell.com](http://www.Breckwell.com)

Model Information			
Model Number		Dealer's Name	
Serial Number		Dealer's Phone Number	

# WIRING DIAGRAM (OPTIONAL BLOWER SOLD SEPARATELY)



**CAUTION: MOVING PARTS CAN CAUSE INJURY. DO NOT OPERATE WITH COVER REMOVED.**

**NOTICE: ANY REPLACEMENT WIRING MUST HAVE EQUIVALENT INSULATION AND TEMPERATURE RATING (105° C).**

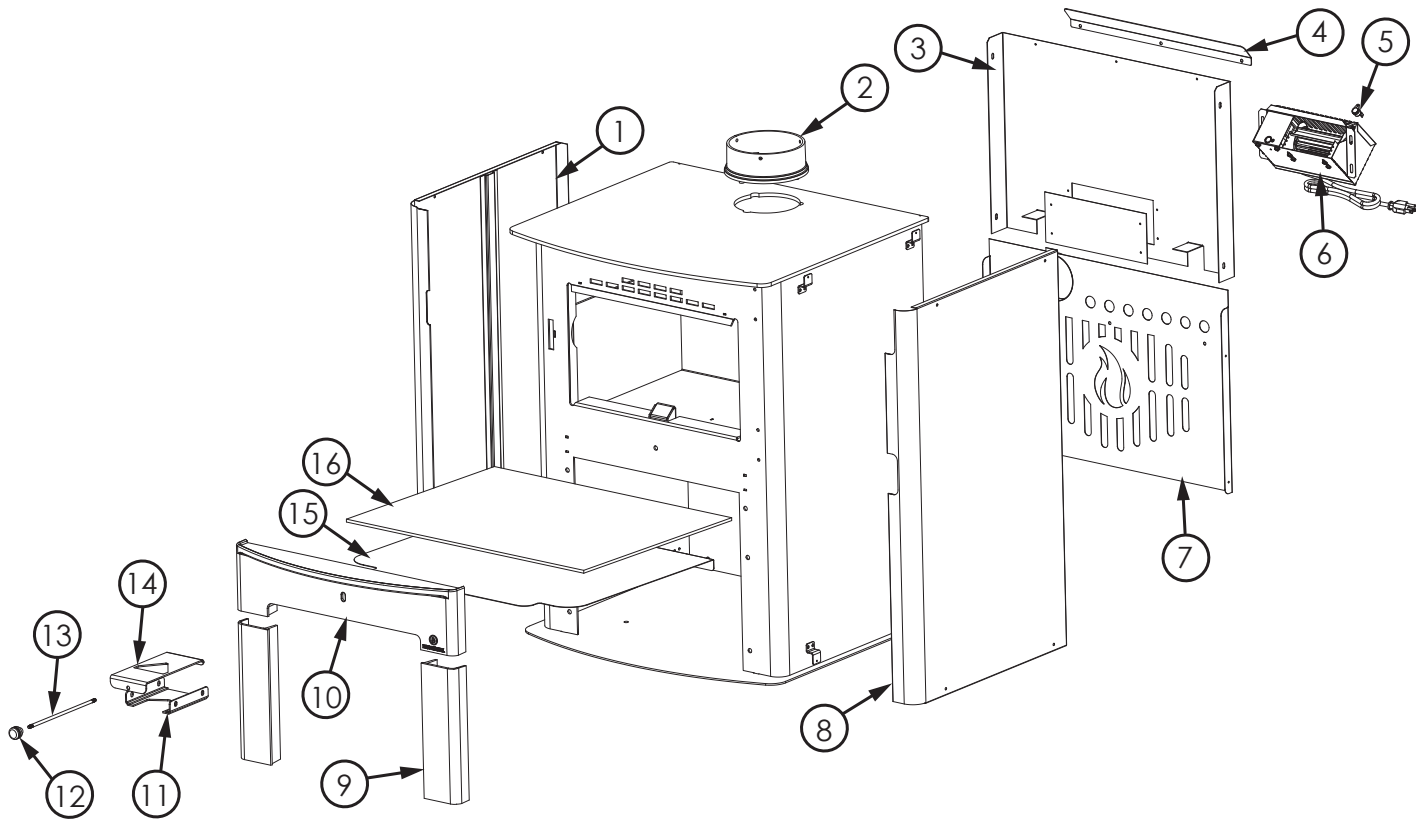
**DANGER: SHOCK HAZARD DISCONNECT POWER SOURCE BEFORE INSTALLATION AND WHENEVER SERVICING BLOWER ASSEMBLY.**

**NOTICE: DO NOT ALLOW THE POWER CORD TO TOUCH HOT SURFACES! KEEP THE POWER CORD AT LEAST 12"/30.5CM FROM THE STOVE OR PIPE SURFACES.**



# REPLACEMENT PARTS

Contact an Authorized Dealer to obtain any of these parts. Never use substitute materials. Use of non-approved parts can result in poor performance and safety.



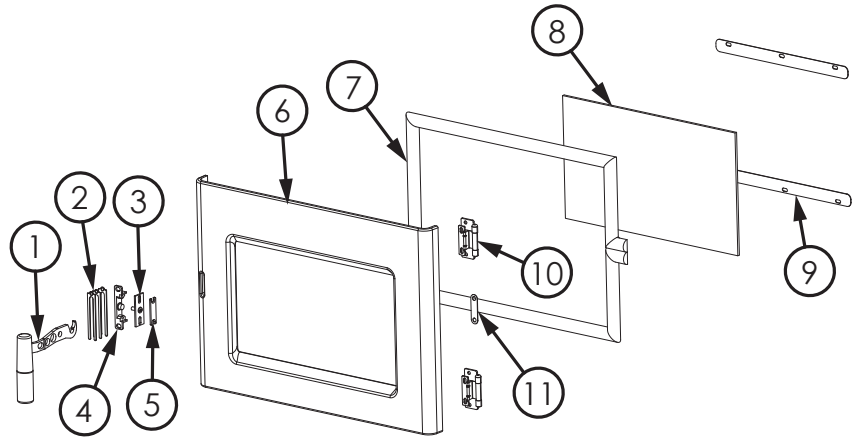
Key	Part #	Description	Qty
1	611031	Left Cabinet Side	1
2	40292A	6" Flue Collar	1
3	29363	Blower Shroud	1
4	29411	Air Deflector	1
5	80859	Therm-O-Disc	1
6	B36T	Blower Assembly (B36T)	1
7	610952	Wood Store Weldment	1
8	611032	Right Cabinet Side	1

Key	Part #	Description	Qty
9	40886	Cast Column	2
10	40889	Filler/Hearth Cast	1
11	610066	Slide Retainer Weld	1
12	893162B	Wooden Knob	1
13	86965	Damper Rod	1
14	610927	Damper Slide Weld	1
15	29433	Heat Shield	1
16	88340	Large Shield Blanket	1

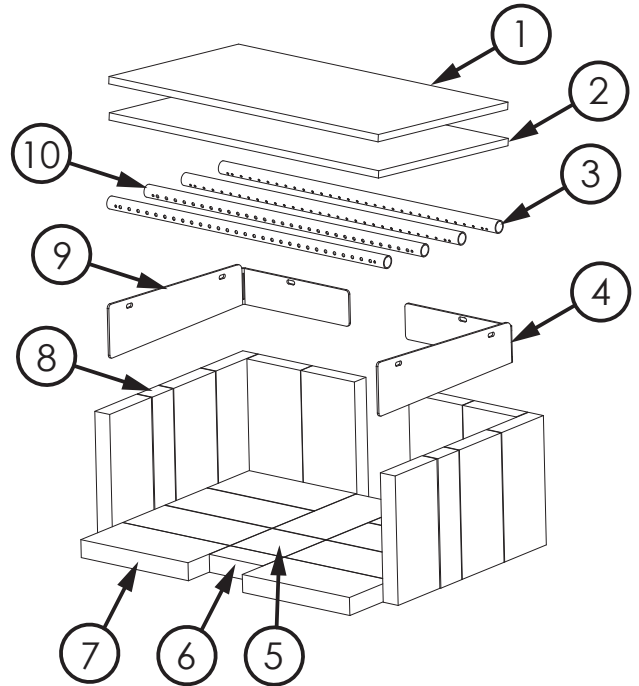
**IN ORDER TO MAINTAIN WARRANTY, COMPONENTS MUST BE REPLACED USING BRECKWELL PARTS PURCHASED THROUGH YOUR DEALER OR DIRECTLY FROM BRECKWELL. USE OF THIRD PARTY COMPONENTS WILL VOID THE WARRANTY.**

Contact an Authorized Dealer to obtain any of these parts. Never use substitute materials. Use of non-approved parts can result in poor performance and safety.

Key	Part #	Description	Qty
1	610951	Door Handle	1
2	29378	Shim	3
3	610953	Door Catch	1
4	893214	Door Latch Base	1
5	893215	Latch Cap	1
6	40884	Cast Door	1
7	88324	1" Rope Gasket	54"
8	893145	Door Glass	1
9	29423	Glass Clamp	2
10	893212	Door Hinge	2
11	29424	Rope Clamp	1



Key	Part #	Description	Qty
1	88325	KAO Wool Blanket	1
2	88138	Ceramic Fiber Board	1
3	86643	Secondary Air Tube (Ø5/32)	2
4	29247	Right Brick Panel	1
5	24103A	Half Pumice Firebrick (4-1/2 x 4-1/2)	1
6	27338	Firebrick (1.25" X 2.25" X 4.5")	1
7	89066A	Pumice Firebrick (4-1/2 x 9)	19
8	891414A	Half Firebrick	2
9	29248	Left Brick Panel	1
10	86645	Secondary Air Tube (Ø7/32)	2



**IN ORDER TO MAINTAIN WARRANTY, COMPONENTS MUST BE REPLACED USING BRECKWELL PARTS PURCHASED THROUGH YOUR DEALER OR DIRECTLY FROM BRECKWELL. USE OF THIRD PARTY COMPONENTS WILL VOID THE WARRANTY.**

# SERVICE RECORD

It is recommended that your heating system is serviced regularly and that the appropriate Service Interval Record is completed.

## SERVICE PROVIDER

Before completing the appropriate Service Record below, please ensure you have carried out the service as described in the manufacturer's instructions. Always use the manufacturer's specified spare part when replacement is necessary.

<b>Service 01</b>	Date: _____
Engineer Name: _____	
License No.: _____	
Company: _____	
Telephone No.: _____	
Stove Inspected: <input type="checkbox"/>	Chimney Swept: <input type="checkbox"/>
Items Replaced: _____	

<b>Service 02</b>	Date: _____
Engineer Name: _____	
License No.: _____	
Company: _____	
Telephone No.: _____	
Stove Inspected: <input type="checkbox"/>	Chimney Swept: <input type="checkbox"/>
Items Replaced: _____	

<b>Service 03</b>	Date: _____
Engineer Name: _____	
License No.: _____	
Company: _____	
Telephone No.: _____	
Stove Inspected: <input type="checkbox"/>	Chimney Swept: <input type="checkbox"/>
Items Replaced: _____	

<b>Service 04</b>	Date: _____
Engineer Name: _____	
License No.: _____	
Company: _____	
Telephone No.: _____	
Stove Inspected: <input type="checkbox"/>	Chimney Swept: <input type="checkbox"/>
Items Replaced: _____	

<b>Service 05</b>	Date: _____
Engineer Name: _____	
License No.: _____	
Company: _____	
Telephone No.: _____	
Stove Inspected: <input type="checkbox"/>	Chimney Swept: <input type="checkbox"/>
Items Replaced: _____	

<b>Service 06</b>	Date: _____
Engineer Name: _____	
License No.: _____	
Company: _____	
Telephone No.: _____	
Stove Inspected: <input type="checkbox"/>	Chimney Swept: <input type="checkbox"/>
Items Replaced: _____	

<b>Service 07</b>	Date: _____
Engineer Name: _____	
License No.: _____	
Company: _____	
Telephone No.: _____	
Stove Inspected: <input type="checkbox"/>	Chimney Swept: <input type="checkbox"/>
Items Replaced: _____	

<b>Service 08</b>	Date: _____
Engineer Name: _____	
License No.: _____	
Company: _____	
Telephone No.: _____	
Stove Inspected: <input type="checkbox"/>	Chimney Swept: <input type="checkbox"/>
Items Replaced: _____	





# ENREGISTREMENT DE SERVICE



Il est recommandé que votre système de chauffage est desservi régulièrement et que le Service Intervall enregistré approprié est terminée.

## FURNISSEUR DE SERVICES

Avant de terminer l'enregistrement de service approprié ci-dessous, s'il vous plaît vous assurer que vous avez effectué le service tel que décrit dans les instructions du fabricant. Toujours utiliser pièce de rechange indiquée par le fabricant lors de remplacement est nécessaire.

**Service de 02**  
Date: \_\_\_\_\_  
Nom de l'ingénieur: \_\_\_\_\_  
N° de licence: \_\_\_\_\_  
Compagnie: \_\_\_\_\_  
N° de téléphone: \_\_\_\_\_  
Poêle Inspecté:  Cheminée balayée:   
Articles Remplacé: \_\_\_\_\_

**Service de 01**  
Date: \_\_\_\_\_  
Nom de l'ingénieur: \_\_\_\_\_  
N° de licence: \_\_\_\_\_  
Compagnie: \_\_\_\_\_  
N° de téléphone: \_\_\_\_\_  
Poêle Inspecté:  Cheminée balayée:   
Articles Remplacé: \_\_\_\_\_

**Service de 04**  
Date: \_\_\_\_\_  
Nom de l'ingénieur: \_\_\_\_\_  
N° de licence: \_\_\_\_\_  
Compagnie: \_\_\_\_\_  
N° de téléphone: \_\_\_\_\_  
Poêle Inspecté:  Cheminée balayée:   
Articles Remplacé: \_\_\_\_\_

**Service de 03**  
Date: \_\_\_\_\_  
Nom de l'ingénieur: \_\_\_\_\_  
N° de licence: \_\_\_\_\_  
Compagnie: \_\_\_\_\_  
N° de téléphone: \_\_\_\_\_  
Poêle Inspecté:  Cheminée balayée:   
Articles Remplacé: \_\_\_\_\_

**Service de 06**  
Date: \_\_\_\_\_  
Nom de l'ingénieur: \_\_\_\_\_  
N° de licence: \_\_\_\_\_  
Compagnie: \_\_\_\_\_  
N° de téléphone: \_\_\_\_\_  
Poêle Inspecté: \_\_\_\_\_  
Cheminée balayée: \_\_\_\_\_  
Articles Remplacé: \_\_\_\_\_

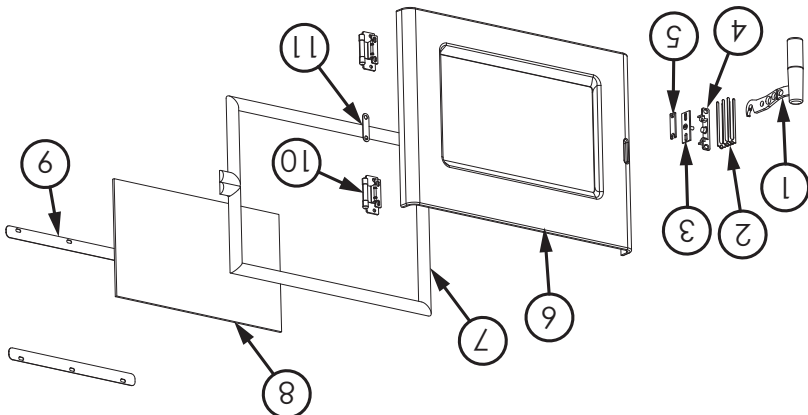
**Service de 05**  
Date: \_\_\_\_\_  
Nom de l'ingénieur: \_\_\_\_\_  
N° de licence: \_\_\_\_\_  
Compagnie: \_\_\_\_\_  
N° de téléphone: \_\_\_\_\_  
Poêle Inspecté:  Cheminée balayée:   
Articles Remplacé: \_\_\_\_\_

**Service de 08**  
Date: \_\_\_\_\_  
Nom de l'ingénieur: \_\_\_\_\_  
N° de licence: \_\_\_\_\_  
Compagnie: \_\_\_\_\_  
N° de téléphone: \_\_\_\_\_  
Poêle Inspecté:  Cheminée balayée:   
Articles Remplacé: \_\_\_\_\_

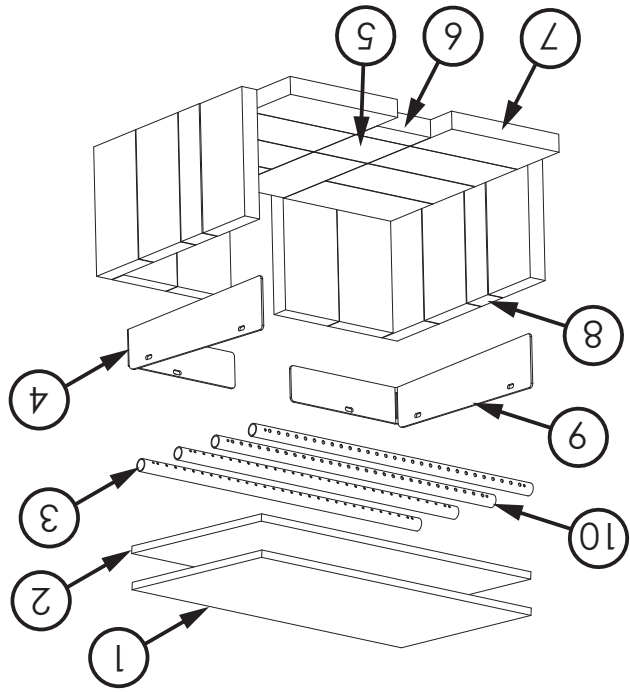
**Service de 07**  
Date: \_\_\_\_\_  
Nom de l'ingénieur: \_\_\_\_\_  
N° de licence: \_\_\_\_\_  
Compagnie: \_\_\_\_\_  
N° de téléphone: \_\_\_\_\_  
Poêle Inspecté:  Cheminée balayée:   
Articles Remplacé: \_\_\_\_\_

Contactez un revendeur agréé pour obtenir l'une de ces pièces. N'utilisez jamais de matériaux de substitution. L'utilisation de pièces non approuvées peut entraîner des performances et une sécurité médiocres.

Clé	Partie	Description	Qté
1	610951	Poignée De Porte	1
2	29378	Cale	3
3	610953	Loquet De Porte	1
4	893214	Base De Loquet De Porte	1
5	893215	Capuchon De Verrouillage	1
6	40884	Porte Coulée	1
7	88324	Joint De Corde 1 po	54 po
8	893145	Verre De Porte	1
9	29423	Pince À Verre	2
10	893212	Charnière De Porte	2
11	29424	Pince À Corde	1

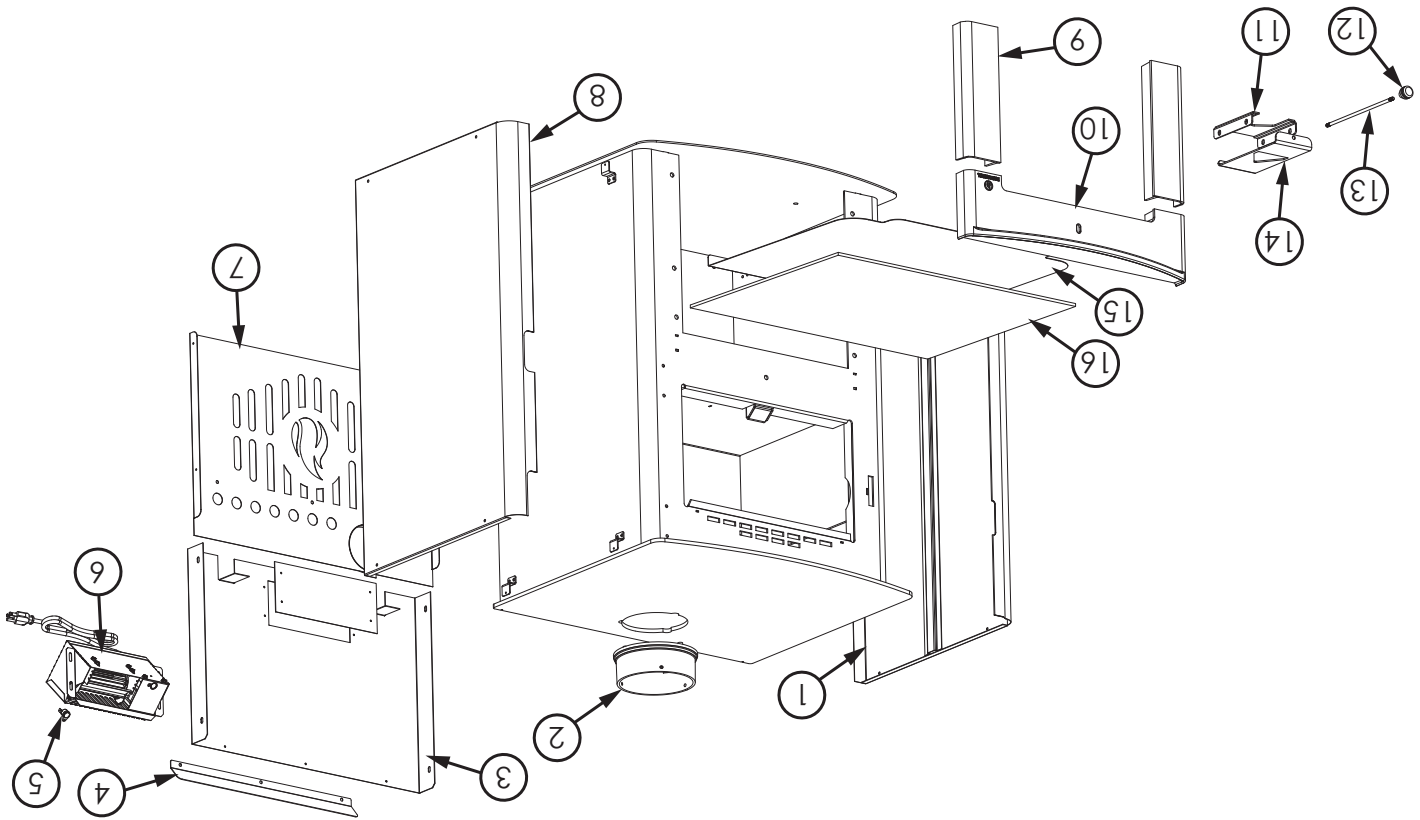


Clé	Partie	Description	Qté
1	88325	Couverture En laine Kao	1
2	88138	Panneau De fibre En Céramique	1
3	86643	Tube D'air Secondaire (Ø5 / 32)	2
4	29247	Panneau De Brique Droit	1
5	24103A	Demi-Brique Réfractaire (4-1 / 2 X 4-1 / 2)	1
6	27338	Brique Réfractaire (1,25" X 2,25" X 4,5")	1
7	89066A	Brique Réfractaire Ponce (4-1 / 2 X 9)	19
8	891414A	Demi Brique Réfractaire	2
9	29248	Panneau De Brique Gauche	1
10	86645	Tube D'air Secondaire (Ø7 / 32)	2



**POUR CONSERVER LA COUVERTURE DE LA GARANTIE, LES COMPOSANTS DOIVENT ÊTRE REMPLACÉS PAR DES PIÈCES D'ORIGINE DU FABRICANT ACHETÉS APRÈS DE VOTRE DÉPOSITAIRE OU DIRECTEMENT APRÈS DU FABRICANT DE L'APPAREIL. L'UTILISATION DE COMPOSANTS DE TIERS ANNULE LA GARANTIE.**

Contactez un revendeur agréé pour obtenir l'une de ces pièces. N'utilisez jamais de matériaux de substitution. L'utilisation de pièces non approuvées peut entraîner des performances et une sécurité médiocres.



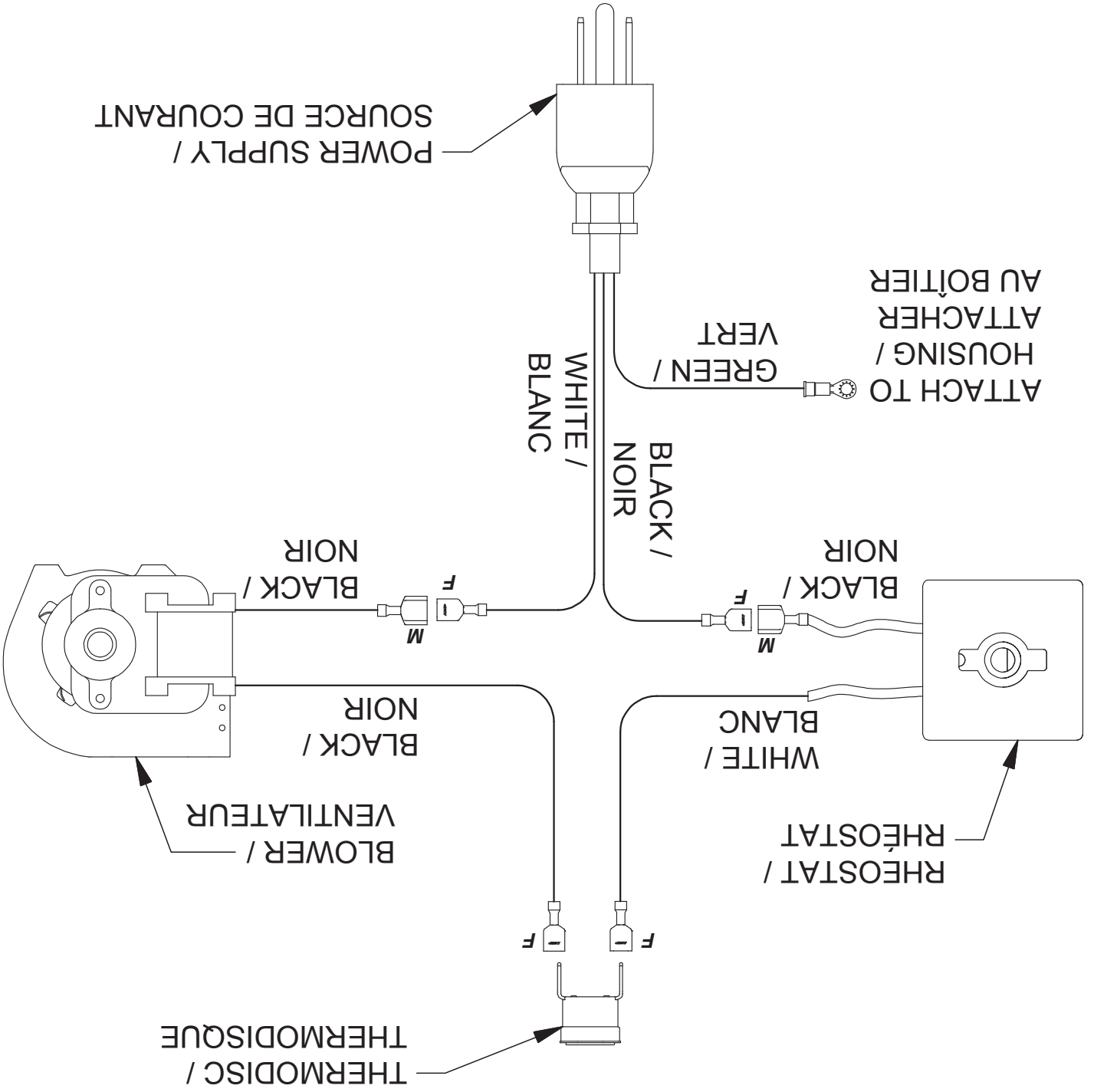
Clé	Partie	Description	Qté
1	611031	Côté Armoire Gauche	1
2	40292A	Col De Cheminée De 6 Po	1
3	29363	Carenage Du Ventilateur	1
4	29411	Déflecteur D'air	1
5	80859	Thermo-Disque	1
6	B36T	Ensemble Ventilateur (B36t)	1
7	610952	Soudure De Magasin De Bois	1
8	611032	Côté Droit De L'armoire	1

Clé	Partie	Description	Qté
9	40886	Colonne En Fonte	2
10	40889	Remplissage / Foyer Coulé	1
11	610066	Soudure De Retenue De Glissière	1
12	893162B	Bouton en bois	1
13	86965	Tige D'amortisseur	1
14	610927	Soudure Couissante De L'amortisseur	1
15	29433	Bouclier Thermique	1
16	88340	Grande Couverture De Bouclier	1

POUR CONSERVER LA COUVERTURE DE LA GARANTIE, LES COMPOSANTS DOIVENT ÊTRE REMPLACÉS PAR DES PIÈCES D'ORIGINE DU FABRICANT ACHETÉS AUPRÈS DE VOTRE DÉPOSITAIRE OU DIRECTEMENT AUPRÈS DU FABRICANT DE L'APPAREIL. L'UTILISATION DE COMPOSANTS DE TIERS ANNULE LA GARANTIE.



# SCHEMA DE CABLAGE (VENTILATEUR EN OPTION VENDU SEPARÉMENT)



ATTENTION: LES PIÈCES EN MOUVEMENT PEUVENT CAUSER BLESSURE. NE PAS UTILISER AVEC LE COUVERCLE ENLEVÉ.

AVIS: TOUT CABLAGE DE REMPLACEMENT DOIT AVOIR UNE ISOLATION ET UNE TEMPÉRATURE ÉQUIVALENTES (105°C).

DANGER: RISQUE D'ÉLECTROCUTION, DÉBRANCHER LA SOURCE D'ALIMENTATION AVANT L'INSTALLATION ET LORS DE L'ENTRETIEN DE L'ASSEMBLAGE DE LA SOUFFLEUSE.

AVIS: NE PERMETTEZ PAS AU CORDON D'ALIMENTATION DE TOUCHER LES SURFACES CHAUDES! GARDER LE CORDON D'ALIMENTATION AU MOINS 12 po / 30,5CM DES SURFACES DU POÊLE OU DU TUYAU.

les expositions indésirables. Il est recommandé que vous utilisiez des détecteurs de fumée et de CO dans les zones où se trouve un potentiel de génération de CO.

## ENTRETIEN VERRE

- Inspectez et nettoyez régulièrement la vitre pour détecter d'éventuelles fissures. Si vous en repérez, éteignez immédiatement le poêle. N'abusez pas de la porte vitrée en la claquant ou en la claquant. N'utilisez pas le poêle si le verre est cassé.

- Si le verre de votre poêle se brise, remplacez-le uniquement par le verre fourni par votre revendeur de chauffage. Ne remplacez jamais d'autres matériaux par le verre.
- Pour remplacer la vitre, retirez les vis retenant les moulures en verre à l'intérieur de la porte. Retirez les moulures et remplacez la pièce endommagée par une nouvelle. Effectuez la procédure à l'envers après l'avoir remplacé. Lors du remplacement de la vitre, vous devez changer le joint en verre pour vous assurer de le garder scellé.

- Ne lavez jamais la vitre avec un produit qui pourrait rayer. Utilisez un produit spécialisé, disponible dans les magasins ou les poêles à bois sont vendus. Le verre ne doit être lavé qu'à froid.

## ENTRETIEN DES JOINTS

**N'UTILISEZ JAMAIS LE POÊLE SANS JOINT OU AVEC UN CASSE. DES DOMMAGES AU POÊLE OU À L'INCENDIE DE LA MAISON PEUVENT EN RÉSULTER.**

### AVERTISSEMENT:

La porte de cet appareil utilise un joint de corde de 1 po de diamètre. Il est recommandé de changer le joint de porte (qui rend la porte de votre poêle étanche à l'air) une fois par an, afin d'assurer un bon contrôle de la combustion, une efficacité et une sécurité maximales. Pour changer le joint de porte, retirez simplement celui qui est endommagé. Nettoyez soigneusement la rainure du joint disponible, appliquez un silicone haute température vendu à cet effet et installez le nouveau joint. Vous pouvez rallumer votre poêle environ 24 heures après avoir terminé cette opération.

**CE POÊLE À BOIS DOIT ÊTRE INSPECTÉ ET RÉPARÉ PÉRIODIQUEMENT POUR FONCTIONNER CORRECTEMENT. IL EST CONTRAIRE À LA RÉGLEMENTATION FÉDÉRALE DE FAIRE FONCTIONNER CE POÊLE À BOIS D'UNE MANIÈRE NON CONFORME AUX INSTRUCTIONS D'UTILISATION DE CE MANUEL.**

### AVERTISSEMENT:

# COMMENT COMMANDER DES PIÈCES DE RÉPARATION

## CONTACTEZ VOTRE REVendeur OU INSTALLATEUR POUR LES PIÈCES ET LE SERVICE

Les informations contenues dans ce manuel du propriétaire sont spécifiques à votre appareil. Lors de la commande de pièces de rechange, les informations contenues dans ce manuel vous aideront à vous assurer que les bons articles sont commandés. Avant de contacter le service client, notez le numéro de modèle et le numéro de série de cet appareil. Ces informations se trouvent sur l'étiquette de certification apposée à l'arrière de l'appareil. D'autres informations qui peuvent être nécessaires sont le numéro de pièce et la description de la pièce (s) en question. Les numéros de pièces et les descriptions se trouvent dans la section «Pièces de réparation» de ce manuel. Une fois ces informations recueillies, vous pouvez contacter votre revendeur Breckwell ou visiter [www.Breckwell.com](http://www.Breckwell.com)

Informations sur le modèle			
Numéro de modèle		Nom du revendeur	
Numéro de série		Numéro de téléphone du concessionnaire	



## NE JAMAIS UTILISER CE PRODUIT SANS SURVEILLANCE

- En cas d'incendie de cheminée ou de créosote, fermez immédiatement tous les registres. Attendez que le feu s'éteigne et que le chauffe-eau refroidisse, puis inspectez la cheminée pour déceler tout dommage. Si aucun dommage ne se produit, effectuez un nettoyage de cheminée pour vous assurer qu'il ne reste plus de dépôts de créosote dans la cheminée.

<b>AVERTISSEMENT:</b>
UN FEU DE CHEMINÉE PEUT PROVOQUER L'INFLAMMATION DE POTAUX MURAUX OU DE CHEVRONS QUI ÉTAIENT SUPPOSÉS ÊTRE À UNE DISTANCE SÛRE DE LA CHEMINÉE. EN CAS D'INCENDIE DE CHEMINÉE, FAITES INSPECTER VOTRE CHEMINÉE PAR UN EXPERT QUALIFIÉ AVANT DE L'UTILISER À NOUVEAU.

### ENLÈVEMENT DES CENDRES ET LEUR DISPOSITION

<b>AVERTISSEMENT:</b>
<ul style="list-style-type: none"> <li>• LES CENDRES POURRAIENT CONTENIR DES EMBRES CHAUDES MÊME APRÈS DEUX JOURS SANS FAIRE FONCTIONNER LE POÊLE.</li> <li>• LE CENDRIER PEUT DEVENIR TRÈS CHAUD. PORTER DES GANTS POUR PRÉVENIR LES BLESSURES.</li> <li>• NE BRÛLEZ JAMAIS LE POÊLE AVEC LE PIÈGE À CENDRES OUVERT. CELA POURRAIT PROVOQUER PLUS DE CUISSON DU POÊLE. DES DOMMAGES AU POÊLE ET À UN MÊME INCENDIE PEUVENT EN RÉSULTER.</li> </ul>

Chaque fois que les cendres atteignent 3 à 4 pouces de profondeur dans votre foyer ou cendrier, et lorsque le feu a brûlé et refroidi, retirez les cendres en excès. Laissez un lit de cendres d'environ 1 pouce de profondeur sur le fond de la chambre de combustion pour aider à maintenir un lit de charbon de bois chaud. Les cendres doivent être placées dans un récipient en métal avec un couvercle hermétique. Le contenant fermé de cendres doit être placé sur un sol incombustible ou sur le sol, à l'écart de tout matériau combustible, en attendant l'élimination finale. Les cendres doivent être conservées dans le récipient fermé jusqu'à ce que toutes les cendres aient complètement refroidi.

### DÉTECTEURS DE FUMÉE ET DE CO

Le brûlage du bois produit naturellement des émissions de fumée et du monoxyde de carbone (CO). Le CO est un gaz poison lorsque l'exposition se fait à des concentrations élevées pour une période de temps prolongée. Bien que les systèmes de combustion modernes des chauffages réduisent de façon importante la quantité de CO émis par la cheminée, l'exposition aux gaz dans des endroits fermés ou clos peut être dangereuse. Assurez-vous que les joints d'étanchéité de votre poêle et les joints de la cheminée soient en bon état et qu'ils scellent correctement, évitant

<b>AVERTISSEMENT:</b>
NE PAS SURCHAUFFER L'APPAREIL. VOUS SURCHAUFFEZ SI UNE PARTIE QUELCONQUE DE L'APPAREIL S'ALLUME EN ROUGE. FERMEZ LA PORTE ET FERMEZ IMMÉDIATEMENT LE REGISTRE POUR RÉDUIRE L'ALIMENTATION EN AIR ET RALENTIR LE FEU.
<b>AVERTISSEMENT:</b>
LES FEUX À COMBUSTION LENTE POUR UNE UTILISATION PROLONGÉE OU LA COMBUSTION DE BOIS VERT PEUVENT PROVOQUER UNE ACCUMULATION EXCESSIVE DE CRÉOSOTE. L'ALLUMAGE DE LA CRÉOSOTE OU LA SURCHAUFFE PEUVENT PROVOQUER UN FEU DE CHEMINÉE. LES FEUX DE CHEMINÉE BRÛLENT EXTRÊMEMENT CHAUD ET PEUVENT ENFLAMMER LES MATÉRIAUX COMBUSTIBLES ENVIRONNANTS. EN CAS D'INCENDIE DE CHEMINÉE, APPELEZ IMMÉDIATEMENT LE SERVICE D'INCENDIE!

### FORMATION DE CRÉOSOTE ET BESOIN D'ENLÈVEMENT

Lorsque le bois est brûlé lentement, il produit du goudron et d'autres vapeurs organiques, qui se combinent avec l'humidité expulsée pour former de la créosote. Les vapeurs de créosote se condensent dans le conduit de cheminée relativement frais d'un feu à combustion lente. Par conséquent, des résidus de créosote s'accumulent sur le revêtement du conduit de fumée. Lorsqu'elle est allumée, cette créosote fait un feu extrêmement élevé. Le raccord de cheminée et la cheminée doivent être inspectés au moins une fois tous les deux mois pendant la saison de chauffage pour déterminer si une accumulation de créosote s'est produite. Si la créosote s'est accumulée (3 mm ou plus), elle doit être retirée pour réduire le risque d'incendie de cheminée. Nous vous recommandons fortement d'installer un thermomètre magnétique sur votre tuyau d'échappement de fumée, à environ 18 po au-dessus du poêle. Ce thermomètre indiquera la température de vos fumées d'échappement de gaz dans le système d'évacuation des fumées. La température idéale pour ces gaz se situe entre 275°F et 500°F. En dessous de ces températures, l'accumulation de créosote est favorisée. Au-dessus de 500°F, la chaleur est perdue car une trop grande quantité est perdue dans l'atmosphère.

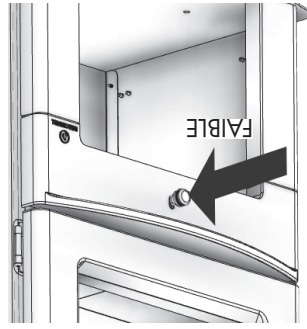
### POUR ÉVITER LA CONSTRUCTION DE CRÉOSOTE

- Brûlez toujours du bois sec. Cela permet des brûlures propres et des températures de cheminée plus élevées, donc moins de dépôt de créosote.
- Laissez le contrôle d'air complètement ouvert pendant environ 5 min. chaque fois que vous rechargez le poêle pour le ramener à des températures de fonctionnement appropriées. La combustion secondaire ne peut avoir lieu que si le foyer est suffisamment chaud.
- Vérifiez toujours le dépôt de créosote une fois tous les deux mois et faites nettoyer votre cheminée au moins une fois par an.

Après la première charge de combustion élevée et le poêle bien réchauffé, réglez l'unité au besoin pour un réglage de combustion moyen ou faible. Pour une combustion moyenne, une fois que la charge de combustion élevée est brûlée jusqu'à un lit de charbon étalé, chargez l'unité avec 34 lb de bois de corde et fermez la porte immédiatement. Laissez le contrôle d'air complètement ouvert (en position «Hi») pendant 5 minutes. Après 5 minutes, poussez le contrôle d'air en position moyenne (à mi-chemin entre la position «Low» et «Hi»).



Pour un réglage de combustion faible une fois que la charge de combustible à combustion élevée (ou moyenne) est brûlée jusqu'à un lit de charbon étalé, chargez l'unité avec 32 lb de bois de corde et fermez la porte immédiatement. Laissez le contrôle d'air complètement ouvert (en position «Hi») pendant 4,5 minutes puis fermez à mi-course. Après 15 minutes, commencez à pousser le contrôle d'air en position «Low» (contrôle d'air complètement enfoncé). REMARQUE: ne fermez pas l'air trop rapidement. Fermer l'air trop rapidement entrainera la fumée de l'appareil.



**FUMÉE VISIBLE**

La quantité de fumée visible produite peut être une méthode efficace pour déterminer l'efficacité du processus de combustion aux paramètres donnés. La fumée visible est constituée de combustible non brûlé et d'humidité sortant de votre poêle. Apprenez à régler les paramètres d'air de votre unité spécifique pour produire la plus petite quantité de fumée visible. Le bois qui n'a pas été correctement séché et qui a une teneur élevée en humidité produira un excès de fumée visible et brûlera mal.

**CONDUITS D'AIR**

Les conduits d'air assemblés dans cette unité sont conçus pour offrir un mélange précis d'air secondaire et assurer une plus grande efficacité. Tout dommage ou détérioration de ces conduits peuvent réduire l'efficacité de la combustion. Les conduits d'air sont maintenus en position par des vis ou par des goupilles de blocage. Localisez et enlevez-les des deux côtés du conduit pour le retirer et le remettre en place.

**(OPTIONNELLE) FONCTIONNEMENT DE LA SOUFFLERIE**

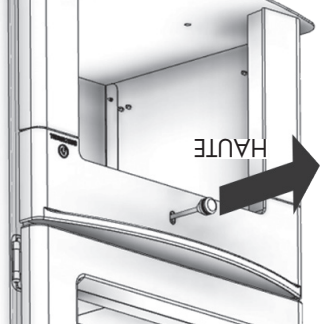
Le ventilateur à vitesse variable fait circuler l'air réchauffé par la chambre de combustion dans le salon pour distribuer la chaleur plus uniformément. Si le commutateur rotatif est activé, le ventilateur se met automatiquement en marche et s'arrête en fonction de la température du poêle. Le bouton de commande du ventilateur est situé sur le côté du boîtier du ventilateur. Tournez le bouton dans le sens des aiguilles d'une montre pour allumer le ventilateur. La vitesse est contrôlée en tournant le bouton dans le sens horaire pour des vitesses plus lentes et dans le sens antihoraire pour des vitesses plus rapides. Pour arrêter le ventilateur, tournez le bouton de commande de vitesse à fond dans le sens antihoraire. Il est recommandé d'éteindre le ventilateur lorsque l'appareil n'est pas en marche. Le ventilateur doit être retiré et nettoyé à l'air. Assurez-vous que les lames ne se sont pas accumulées.

<b>AVERTISSEMENTS:</b>
<ul style="list-style-type: none"> <li>• NE JAMAIS SURCHAUFFER VOTRE POÊLE. SI UNE PARTIE DU POÊLE COMMENCE À LUMIÈRE ROUGE, PLUS DE CUISSON ARRIVE. RÉAJUSTEZ LA COMMANDE D'ADMISSION D'AIR À UN RÉGLAGE PLUS BAS.</li> <li>• L'INSTALLATION D'UN BERCEAU À BÛCHES OU DE GRILLES N'EST PAS RECOMMANDÉE DANS VOTRE POÊLE À BOIS. CONSTRUISEZ LE FEU DIRECTEMENT SUR FIREBRICK.</li> <li>• NE METTEZ JAMAIS DE BOIS AU-DESSUS DE LA DOUBLURE DU FEU DE FEU.</li> <li>• LES TENTATIVES POUR ATTEINDRE DES DÉBITS DE CHALEUR SUPÉRIEURS AUX SPÉCIFICATIONS DE CONCEPTION DU RÉCHAUFFEUR PEUVENT ENTRAÎNER DES DOMMAGES PERMANENTS AU RÉCHAUFFEUR.</li> </ul>

accumulation accélérée de créosote dans votre cheminée. Soyez respectueux de l'environnement et ne brûlez que du bois sec. Pour un démarrage à froid, placez 4 à 5 morceaux de papier journal dans le foyer. Sur le papier journal, déposez 4 lb de bois d'allumage dans un emplacement aléatoire pour assurer la circulation de l'air à travers le bois d'allumage. Sur le bois d'allumage, placez environ 7 lb de petits morceaux de bois de corde. REMARQUE: Utilisez des morceaux de bois plus petits pendant le démarrage et un taux de combustion élevé pour augmenter la température du poêle.



Tirez complètement la commande d'air. Allumez le journal et laissez la porte légèrement ouverte pendant environ une minute. REMARQUE: Vous devrez peut-être le laisser ouvert un peu plus longtemps, selon la hauteur de votre cheminée et les conditions extérieures. Après environ une minute (ou une fois que votre feu est bien allumé) fermez la porte et laissez le petit bois s'enflammer. Une fois que le bois d'allumage a brûlé jusqu'à un lit de charbon de démarrage, chargez l'unité avec environ 29 lb de charbon pour la première charge de combustion élevée.



combustible. La valeur calorifique inférieure est lorsque l'eau qu'elle le processus de combustion sous forme de vapeur, dans le cas des poêles à bois, l'humidité du bois brûlé quitte le poêle sous forme de vapeur. Le pouvoir calorifique supérieur est lorsque l'eau qu'elle le processus de combustion complètement condensée. Dans le cas des poêles à bois, cela supposerait que les gaz d'échappement sont à température ambiante à la sortie du système, et donc les calculs utilisant cette valeur de chauffage considèrent la chaleur qui monte dans la cheminée comme une énergie perdue. Par conséquent, l'efficacité calculée en utilisant le pouvoir calorifique inférieur du bois sera supérieure à l'efficacité calculée en utilisant le pouvoir calorifique supérieur. La meilleure façon d'atteindre des rendements optimaux est d'apprendre les caractéristiques de combustion de votre appareil et de brûler du bois bien séché. Des taux de combustion plus élevés ne sont pas toujours les meilleurs taux de combustion par chauffage; après avoir établi un bon feu, un taux de combustion inférieur peut être une meilleure option pour un chauffage efficace. Un taux de combustion inférieur ralentit le flux de chaleur utilisable hors de la maison par la cheminée, et il consomme également moins de bois.

## NOTIFICATION - LES PREMIERS FEUX POUR SÉCHER LA PEINTURE

À CAUSE DES HAUTES TEMPÉRATURES ATTEINTES LORS DU FONCTIONNEMENT, CET APPAREIL EST REVÊTU D'UNE PEINTURE SPÉCIALE CONÇUE POUR LES HAUTES TEMPÉRATURES. ELLE EXIGE UNE SÉRIE DE FEUX À INTENSITÉ BASSE ET MOYENNE POUR SÉCHER ENTièrement ET AINSI GARANTIR LA DURABILITÉ ET LA VIE DE SERVICE. Le séchage correct de la peinture à haute température exige une série de trois feux initiaux. L'appareil devrait être refroidi entre chaque feu. Les deux premiers feux devraient être des petits feux à température basse (250°F) pour une durée de 20 minutes chacun. Le troisième feu devrait être à une température moyenne (500°F à 700°F) pendant 20 minutes. Aérez de façon suffisante pour éliminer la fumée ou les odeurs causées par ces feux.

Remarque: utilisez uniquement du bois de chauffage solide! Ne brûlez pas les ordures ou les liquides inflammables. N'utilisez pas de charbon. Cet appareil n'est pas conçu pour accueillir le débit d'air (tirage) requis pour brûler correctement le charbon ou les produits du charbon. Ne pas élever le feu à l'aide de grilles ou de fers. Construisez le feu directement sur la brique réfractaire.

## INSTRUCTIONS DE RAVITAILEMENT

### ATTENTION:

**NE LAISSEZ PAS L'APPAREIL SANS SURVEILLANCE AVEC LA PORTE OUVERTE.**

Ce poêle à bois a été certifié par l'US EPA pour répondre aux strictes directives 2020. Pour garantir que cet appareil produit les émissions minimales optimales, il est essentiel que seul du bois de cordon bien séché soit brûlé (voir la section «Recommandations de carburant» de ce manuel). La combustion de bois humide non séché ne fait que nuire à l'efficacité de vos poêles et entraîne une



énergétiques que d'autres. Des rendements plus élevés et des émissions plus faibles résultent généralement de la combustion de bois durs séchés à l'air, par rapport aux résineux ou aux feuillus trop verts ou fraîchement coupés. Les ressources suivantes peuvent aider à apprendre les caractéristiques de combustion de diverses essences de bois: <http://firewoodresource.com/firewood-btu-ratings/>; ou <https://forestry.usu.edu/forest-products/wood-heating>. Le fonctionnement de ce poêle à bois d'une manière non conforme au manuel du propriétaire annulera votre garantie et est également contraire à la réglementation fédérale. Les déchets et autres matériaux inflammables ne doivent pas être brûlés dans votre poêle. **NE BRÛLEZ PAS:**

1. Des ordures;
2. Des déchets de tonte ou résidus de jardin;
3. Des matériaux contenant du caoutchouc, incluant les pneus;
4. Matériaux contenant du plastique;
5. Des déchets de produits du pétrole, des peintures ou diluants à peinture, ou des produits d'asphalte;
6. Matériaux contenant de l'amiante;
7. Débris de construction ou de démolition;
8. Traverses de voie ferrée ou bois traité sous pression;
9. Fumier ou restes d'animaux;
10. Bois de grève en eau salée ou autres matériaux précédemment saturés par de l'eau salée;
11. Bois non séché; ou

12. Produits du papier, carton, contreplaqué, ou panneau de particules. L'interdiction de brûlage de ces matériaux n'interdit pas l'utilisation d'allume-feu composés de papier, carton, sciure de bois, cire et substances similaires, aux fins de démarrer le feu dans un chauffage au bois modifié.

La combustion de ces matériaux peut entraîner la libération de fumées toxiques ou rendre le radiateur inefficace et provoquer de la fumée. Le bois mort posé sur le sol forestier doit être considéré comme humide et nécessite un temps de séchage complet. Le bois mort sur pied peut généralement être considéré comme environ 2/3 assaisonné. Les petits morceaux de bois séchent plus rapidement. Toutes les bûches de plus de 6 po de diamètre doivent être fendues. Le bois ne doit pas être stocké directement sur le sol. L'air devrait circuler dans les bûches. Un espace d'air de 24 po à 48 po doit être laissé entre chaque rangée de bûches, qui doivent être placées à l'endroit le plus ensolaillé possible. La couche supérieure de bois doit être protégée de l'élément mais pas des côtés. Un bon indicateur pour savoir si le bois est prêt à brûler est de vérifier les extrémités des pièces. Si des fissures rayonnent dans toutes les directions à partir du centre, le bois doit être suffisamment sec pour brûler. Si votre bois grésille dans le feu, même si la surface est sèche, il se peut qu'il ne soit pas complètement durci et devrait être séché plus longtemps. Il est EXTREMEMENT IMPORTANT d'utiliser du BOIS SEC uniquement dans votre poêle à bois. Le bois doit avoir séché pendant 9 à 15 mois, de sorte que la teneur en humidité (en poids) soit réduite en dessous de 20% du poids de la bûche. Il est très important de

garder à l'esprit que même si le bois a été coupé pendant un, deux ans ou même plus, il n'est pas nécessairement sec s'il a été stocké dans de mauvaises conditions. Dans des conditions extrêmes, il peut pourrir au lieu de sécher. Ce point ne peut pas être surestimé; la grande majorité des problèmes liés au fonctionnement d'un poêle à bois est due au fait que le bois utilisé était trop humide ou avait séché dans de mauvaises conditions. Ces problèmes peuvent être:

- problèmes d'allumage
- accumulation de créosote provoquant des feux de cheminée
- faible rendement énergétique
- fenêtres noircies
- combustion de bûches incomplète

**Ne brûlez pas de bûches fabriquées à partir de sciure de bois imprégnée de cire ou de bûches contenant des additifs chimiques.** Les bûches fabriquées à 100% de sciure compressée peuvent être brûlées, mais soyez prudent en brûlant trop de ces bûches en même temps. Commencez avec une bûche fabriquée et voyez comment le poêle réagit. Vous pouvez augmenter le nombre de bûches brûlées à la fois, mais assurez-vous que la température ne dépasse jamais 475 ° F (246 ° C) sur un thermomètre magnétique pour une installation sur des tuyaux de poêle à paroi simple. Le thermomètre doit être placé à environ 18 "(457 mm) au-dessus du poêle. Des températures plus élevées peuvent entraîner une surchauffe et endommager votre poêle.

## TESTER VOTRE BOIS

- Lorsque le poêle est bien réchauffé, placez un morceau de bois fendu (environ cinq pouces de diamètre) parallèle à la porte sur le lit de braises rouges.

- Gardez la commande d'air complètement ouverte et fermez la porte. Si le bois s'enflamme dans les 90 secondes suivant le moment où il a été placé dans le poêle, votre bois est correctement séché. Si l'allumage prend plus de temps, votre bois est humide.

- Si votre bois siffle et que de l'eau ou de la vapeur s'échappe aux extrémités de la pièce, votre bois est trempé ou fraîchement coupé (vert). N'utilisez pas ce bois dans votre poêle. De grandes quantités de créosote pourraient se déposer dans votre cheminée, créant des conditions potentielles pour un feu de cheminée.

## ALTERER AVERTISSEMENT

Ce chauffage au bois a un taux de combustion minimum réglé à la fabrication, et qui ne peut être modifié. La modification de ce réglage ou une utilisation autre de ce chauffage au bois qui ne respecterait pas les directives du présent manuel contrevient aux réglementations fédérales.

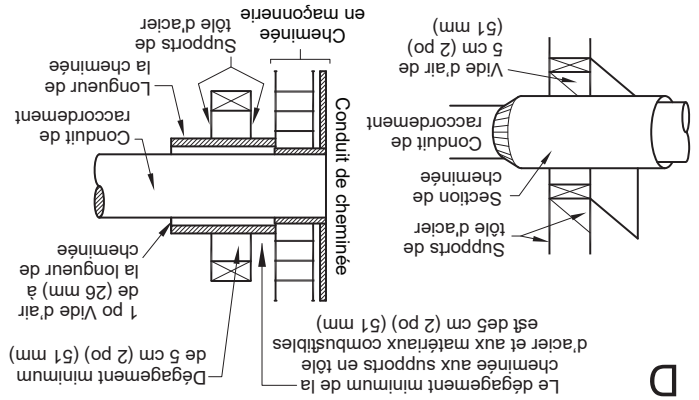
## EFFICACITÉ

Les rendements peuvent être basés sur la valeur calorifique inférieure (LHV) ou la valeur calorifique supérieure (HHV) du

## REMARQUES:

- Les raccords d'une cheminée de maçonnerie, sauf ceux de la méthode B, devront s'étendre sur une section continue à travers le système de passage mural et la paroi de la cheminée, jusqu'à la surface du revêtement intérieur du carneau mais sans le dépasser.
- Un raccord de cheminée ne devra pas passer à travers un grenier ou un espace du toit, des toilettes ou des espaces confinés similaires, un plancher ou un plafond.

plafines-soutiens en tôle situées aux deux extrémités de la section de la cheminée. Couvrez l'ouverture et soutenez la section de la cheminée des deux côtés à l'aide de supports métalliques en tôle de calibre 24 minimum. Vérifiez que les supports soient fixés de façon sûre aux surfaces de la paroi sur tous les côtés. Assurez-vous des éléments de fixation utilisés pour maintenir le conduit de carneau de la cheminée.



## NE JAMAIS UTILISER CE PRODUIT SANS SURVEILLANCE

### OPÉRATION

<b>PRÉCAUTIONS DE SÉCURITÉ LORS DE L'UTILISATION</b>
<ul style="list-style-type: none"> <li>• NE JAMAIS SURCHAUFFER CET APPAREIL EN FAISANT DES FEUX EXCESSIVEMENT CHAUDS, CAR UN INCENDIE POURRAIT EN RÉSULTER DANS UNE MAISON OU UN BÂTIMENT. VOUS SURCHAUFFEZ L'APPAREIL S'IL COMMENCE À BRILLER OU À DEVENIR ROUGE.</li> <li>• NE JAMAIS FAIRE DE FEUX EXCESSIVEMENT GRANDS DANS CE TYPE D'APPAREIL, CAR CELA POURRAIT ENDOMMAGER LA CHAMBRE DE COMBUSTION OU PROVOQUER UNE FUIITE DE FUMÉE.</li> <li>• NE FAITES PAS DE FEU TROP PRÈS DU VERRE.</li> <li>• CHAUD PENDANT LE FONCTIONNEMENT. ÉLOIGNEZ LES ENFANTS, LES VÊTEMENTS ET LES MEUBLES. LE CONTACT PEUT PROVOQUER DES BRÛLURES CUTANÉES. NE TOUCHEZ PAS L'APPAREIL TANT QU'IL N'A PAS REFROIDI.</li> <li>• FOURNIR UN AIR SUFFISANT POUR LA COMBUSTION DANS LA PIÈCE OÙ L'APPAREIL EST INSTALLÉ.</li> <li>• INSPECTEZ LE REVÊTEMENT DE CHEMINÉE TOUTS LES 60 JOURS. REMPLACEZ IMMÉDIATEMENT LA DOUBLURE SI ELLE ROUILLE OU SI DE LA FUMÉE FUT DANS LA PIÈCE.</li> <li>• LES TENTATIVES POUR ATTEINDRE DES TAUX DE PRODUCTION DE CHALEUR QUI DÉPASSENT LES SPÉCIFICATIONS DE CONCEPTION DU RÉCHAUFFEUR PEUVENT ENTRAÎNER DES DOMMAGES PERMANENTS AU RÉCHAUFFEUR.</li> </ul>

<b>AVERTISSEMENT: RISQUE D'EXPLOSION</b>
<ul style="list-style-type: none"> <li>• N'UTILISEZ JAMAIS DE PRODUITS CHIMIQUES, ESSENCE, CARBURANT DE LANTERNE DE TYPE ESSENCE, KÉROSÈNE, LIQUIDES D'ALLUMAGE RAPIDE POUR CHARBON OU FLUIDES SIMILAIRES INFLAMMABLES POUR COMMENCER OU BIEN ATTISER UN FEU DANS L'APPAREIL.</li> <li>• GARDEZ LES LIQUIDES INFLAMMABLES, SURTOUT L'ESSENCE, ÉLOIGNÉS DE L'APPAREIL – QUE CE SOIT DANS UN BUT D'UTILISATION OU DE STOCKAGE.</li> </ul>

<b>DÉPÔTS: RISQUES D'INCENDIE MAISON</b>
<ul style="list-style-type: none"> <li>• NE CONSERVEZ PAS LE BOIS SUR UN PROTECTEUR DE PLANCHER, SOUS LES TUYAUX DE POÊLE OU N'IMPORTE O DANS LES DÉGAGEMENTS DES SURFACES COMBUSTIBLES SPÉCIFIÉES POUR CET APPAREIL.</li> <li>• NE JAMAIS FAIRE FONCTIONNER AVEC DES TUBES SECONDAIRES, UN CARTON DE FIBRE OU UNE ISOLATION RETIRÉE.</li> </ul>

## UTILISATION DU POÊLE À BOIS

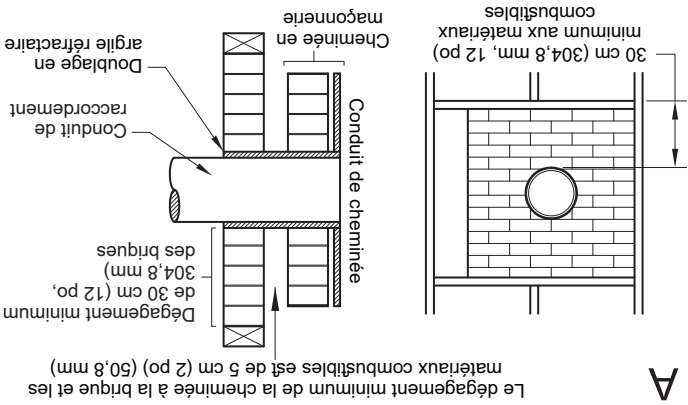
Votre appareil de chauffage a été conçu pour brûler uniquement du bois naturel bien séché; aucun autre matériau ne doit être brûlé. N'importe quel type de bois naturel bien séché peut être utilisé dans votre poêle, mais certaines variétés ont de meilleurs rendements



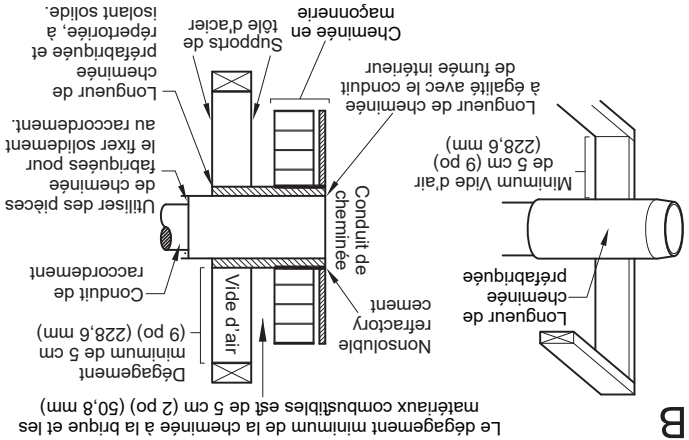
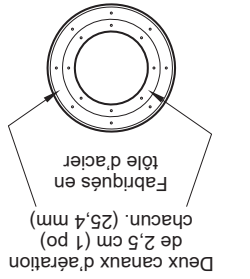
Assurez-vous qu'une cheminée en maçonnerie répondre aux standards minimum de l'Association nationale de protection contre les incendies (NFPA) en la faisant inspecter par un professionnel. d'autres signes de détérioration et de blocage. Faites nettoyer la cheminée avant d'installer et de faire fonctionner le poêle. Lors du raccordement du poêle à travers une paroi combustible vers une cheminée en maçonnerie, des méthodes spéciales sont requises.

## PASSAGES DE RACCORDEMENT DE CHEMINÉE À TRAVERS UNE PAROI COMBUSTIBLE

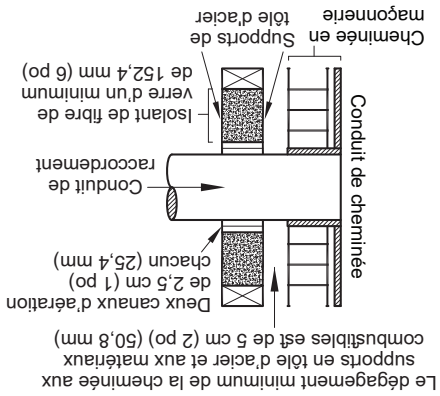
**Méthode A -** Dégagement de 12 po (304,8 mm) avec un membre de paroi combustible: En utilisant des briques d'une épaisseur minimale de 3,5 po (89 mm) et un revêtement en argile d'une épaisseur minimale de 5/8 po (15,9 mm), construisez un passage à travers la paroi. Le revêtement en argile doit être conforme à l'ASTM C315 (Spécification standard des revêtements réfractaires en argile) ou son équivalent. Maintenez un minimum de 12 po (304,8 mm) de maçonnerie en briques entre le revêtement en argile et les matériaux combustibles de la paroi. Le revêtement en argile devra s'étendre de la surface extérieure de la maçonnerie en briques jusqu'à la surface intérieure du revêtement du carneau de la cheminée mais pas au-delà de la surface intérieure. Coulez ou cimentez fermement le revêtement en argile en place dans le revêtement du carneau de la cheminée.



**Méthode B -** Dégagement de 9 po (228,6 mm) avec un membre de paroi combustible: En utilisant une partie de cheminée Solid-Pak fabriquée en usine, agrée, de 6 po (152,4 mm) de diamètre intérieur avec une isolation de 1 po (25,4 mm) ou plus, construisez un passage à travers la paroi avec une couche d'air de 9 po (228,6 mm) minimum entre la paroi extérieure de la longueur de la cheminée et les matériaux combustibles de la paroi. Utilisez des supports en tôle fixés de façon sûre aux surfaces de la paroi sur tous les côtés afin de maintenir une couche d'air de 9 po (228,6 mm). Lors de la fixation des supports sur la longueur de la cheminée, ne pénétrez pas dans le revêtement de la cheminée (la paroi intérieure de la cheminée Solid-Pak). L'extrémité du revêtement de la section de la cheminée Solid-Pak devra affleurer l'intérieur du carneau de la cheminée en maçonnerie, et être scellée avec un ciment réfractaire non soluble dans l'eau. Utilisez ce ciment pour également calfeutrer la pénétration de la maçonnerie en briques.



**Méthode C -** Dégagement de 6 po (152,4 mm) avec un membre de paroi combustible: En commençant avec un raccord de cheminée métallique de 6 po (152,4 mm) de diamètre 24 (0,024 po [0,61 mm]), et un manchon mural ventilé de calibre 24 minimum ayant deux conduits d'air de 1 po (25,4 mm) chacun, construisez un passage à travers la paroi. Il devra y avoir une zone de séparation de 6 po (152,4 mm) minimum contenant une isolation en fibre de verre, à partir de la surface extérieure du manchon mural jusqu'aux matériaux combustibles de la paroi. Soutenez le manchon mural et couvrez son ouverture avec un support métallique en tôle de calibre 24 minimum. Maintenez un espace de 6 po (152,4 mm). Il devra également y avoir un support dimensionné pour adapter et maintenir le raccord de cheminée métallique sur tous les côtés. Assurez-vous que les éléments de fixation utilisés pour maintenir le raccord de cheminée métallique ne pénétrent pas dans le revêtement du carneau de la cheminée.



**Méthode D -** Dégagement de 2 po (50,8 mm) avec un membre de paroi combustible: Commencez avec une partie de cheminée Solid-Pak fabriquée en usine, agrée, d'au moins 12 po (304 mm) de diamètre intérieur avec une isolation de 1 po (25,4 mm) ou plus, et un raccord de cheminée de 8 po de diamètre intérieur (de 2 pouces [51 mm] plus grand que celui de 6 po [152,4 mm]). Utilisez celle-ci comme passage pour un raccord de cheminée métallique pour paroi unique de calibre 24 minimum. Maintenez la section concentrique solid-pak avec le raccord de la cheminée et à une distance de 1 po (25,4 mm) de ce dernier grâce aux



fumées du poêle. Un conduit trop petit peut poser des problèmes de tirage, tandis qu'un gros conduit favorise un refroidissement rapide du gaz, et donc l'accumulation de crésote et le risque d'incendies de cheminée. Notez que c'est la cheminée et non le poêle qui crée l'effet de tirage; la performance de votre poêle dépend directement d'un tirage adéquat de votre cheminée. Ne raccordez pas cet appareil à un conduit de cheminée desservant un autre appareil. Les recommandations suivantes peuvent être utiles pour l'installation de votre cheminée:

1. Ne connectez pas cette unité à un carneau de cheminée utilisé par un autre appareil.

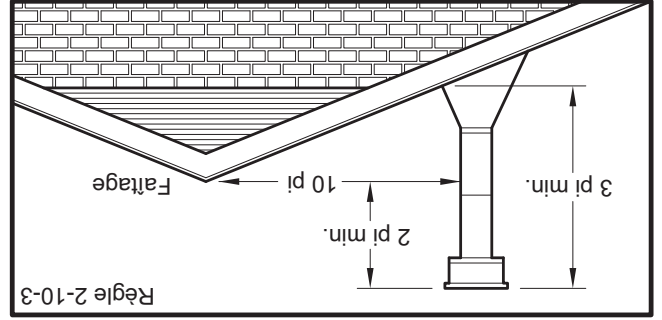
2. Elle doit s'élever au-dessus du toit d'au moins 3 pi (0,9 m) à partir du point le plus haut de contact.

3. La cheminée doit dépasser toute partie de la construction ou autre obstruction à moins de 10 pi (3,04 m) d'une hauteur de 2 pi (0,6 m).

4. L'installation d'une cheminée intérieure est toujours préférable à une cheminée extérieure. En effet, la cheminée intérieure, sera, par définition, plus chaude qu'une cheminée extérieure, étant donné qu'elle est chauffée par l'air ambiant de la maison. Par conséquent, le gaz qui circule se refroidira plus lentement, réduisant ainsi l'accumulation de crésote et le risque de feux de cheminée.

5. Le tirage entraine par la tendance de l'air chaud à s'élever sera augmenté avec une cheminée intérieure.

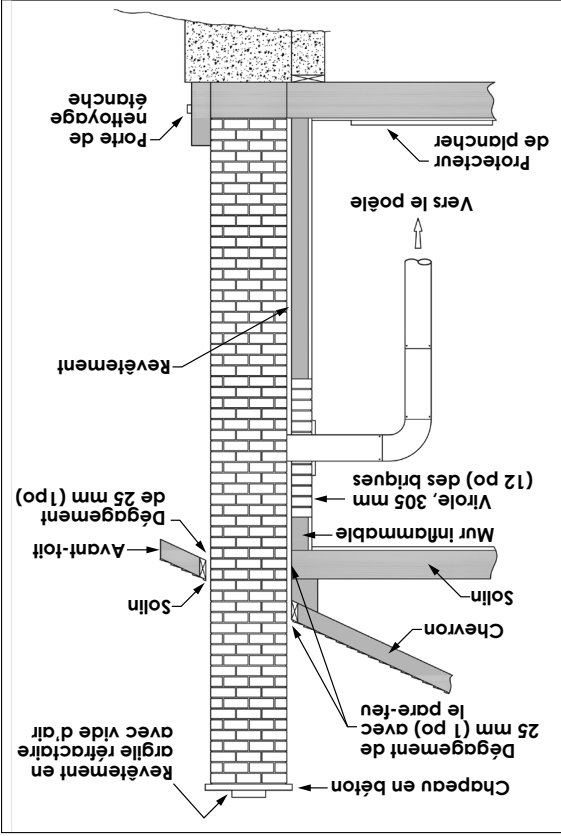
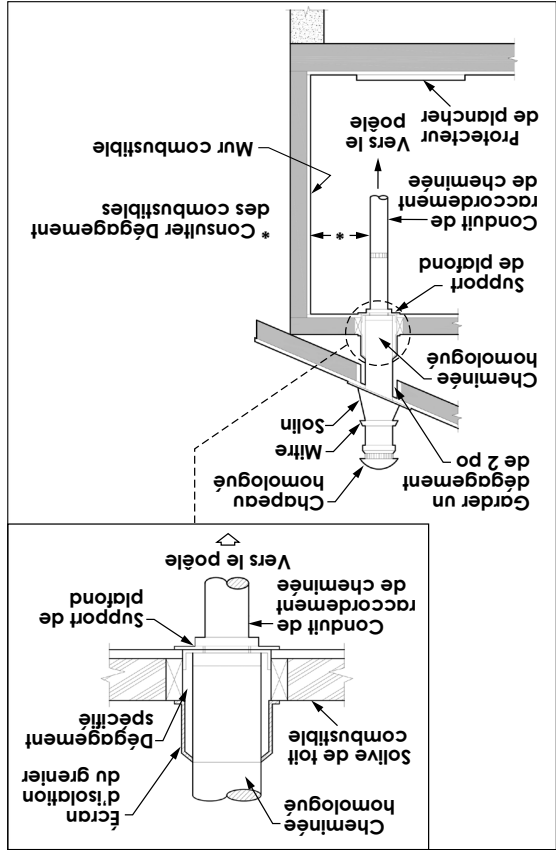
6. L'utilisation d'un pare-feu à l'extrémité de la cheminée requiert une inspection régulière afin de garantir qu'il n'est pas obstrué, bloquant donc le tirage et devra être nettoyé lorsqu'il est utilisé régulièrement.



## CHEMINÉE FABRIQUÉE EN USINE

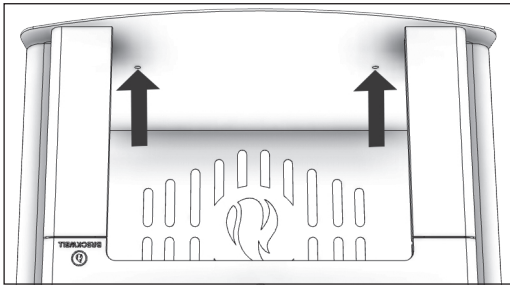
Cu'une cheminée métallique préfabriquée est utilisée, les instructions d'installation du fabricant doivent être respectées. Vous devez également acheter (auprès du même fabricant) et installer l'ensemble de support du toit ou le passage du toit et l'ensemble de la partie en "T", des coupe-feux (si nécessaires), un écran d'isolation, un chaperon de toiture, un chapeau de cheminée, etc. Maintenez un dégagement approprié avec la structure tel que recommandé par le fabricant. La cheminée doit avoir la hauteur requise au-dessus du toit ou d'autres obstructions pour des raisons de sécurité et un bon tirage.

## CHEMINÉE EN MAÇONNERIE



## FIXEZ L'APPAREIL AU SOL

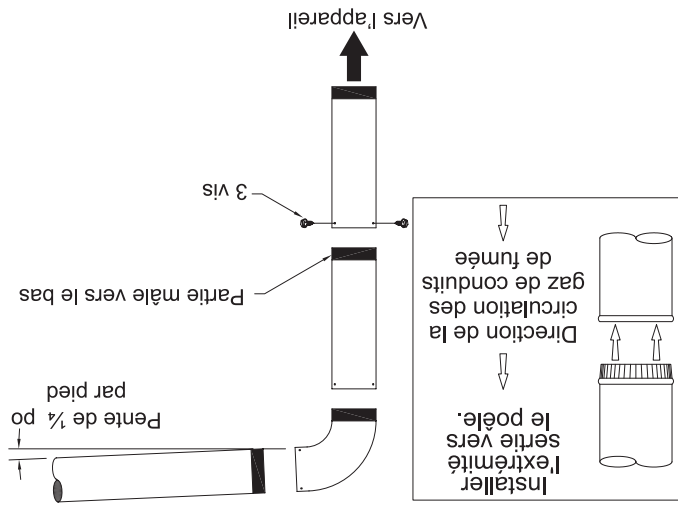
Utilisez les trous désignés pour fixer l'unité au sol.



En plus des exigences d'installation précédemment détaillées, les installations de maisons mobiles doivent répondre aux exigences suivantes:

- Le radiateur doit être fixé en permanence au sol. Il y a deux trous dans la base, utilisez des boulons de 3/8 po à travers le plancher.
- Le radiateur doit être mis à la terre électriquement au châssis en acier de la maison mobile avec un fil de cuivre de 8 GA à l'aide d'une rondelle dentée ou en étoile pour pénétrer la peinture ou le revêtement protecteur afin d'assurer la mise à la terre.
- Lors du déménagement de votre maison mobile, toute ventilation extérieure doit être enlevée pendant le déménagement de la maison mobile. Après le déplacement, tous les événements doivent être réinstallés et solidement fixés.
- L'air extérieur est obligatoire pour l'installation d'une maison mobile. Consultez votre revendeur pour l'achat.
- Vérifiez auprès de vos responsables locaux du bâtiment car d'autres codes peuvent s'appliquer.
- Utilisez uniquement les composants spécifiés répertoriés dans ce manuel pour cet appareil. L'utilisation de composants qui ne sont pas destinés à cet appareil peut entraîner des conditions dangereuses.

## RACCORD DE CHEMINÉE (TUYAU PUSSE)



## CHEMINÉE

Votre poêle à bois peut être raccordé à une cheminée préfabriquée de 6 po ou en maçonnerie. Si vous utilisez une cheminée préfabriquée, elle doit être conforme à la norme UL 103 ou CSA-B365; il doit donc s'agir d'un type HT (2100 ° F). Il doit être installé conformément aux spécifications du fabricant. Tenez compte de l'emplacement de la cheminée pour vous assurer qu'elle n'est pas trop près des voisins ou dans une vallée, ce qui peut causer des conditions insalubres ou nuisibles. Si vous utilisez une cheminée en maçonnerie, elle doit être construite conformément aux spécifications du Code national du bâtiment. Il doit être recouvert de briques d'argile réfractaire, de tuiles métalliques ou d'argile scellées avec du ciment réfractaire. Les conduits ronds sont les plus efficaces. Le diamètre intérieur du conduit de cheminée doit être identique à celui de l'évacuation des

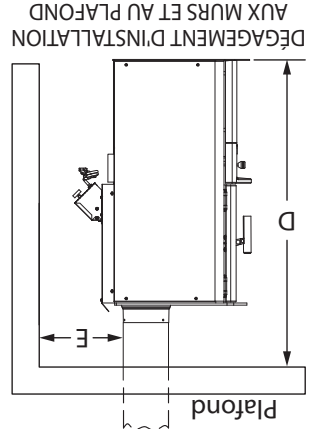
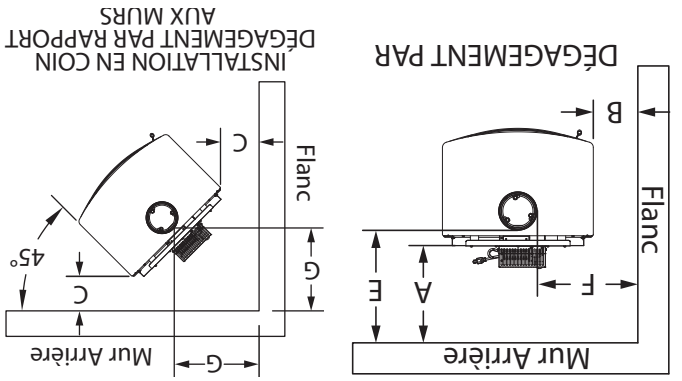
## IMPORTANT D'UN TIRAGE ADEQUAT

Le tirage est une force déplaçant l'air de l'appareil vers la cheminée. La quantité de tirage dans votre cheminée dépend de la longueur de la cheminée, son emplacement géographique local, les obstructions à proximité et d'autres facteurs. Trop de tirage peut causer des températures excessives dans l'appareil et pourrait l'endommager. Un tirage inadéquat peut causer des retours de fumée dans la pièce et causer l'obturation de la cheminée. Un tirage inadéquat causera des fuites de fumée par l'appareil dans la pièce, s'infiltrant par l'appareil, et les joints du conduit de raccordement. Un brûlage incontrôlable ou une température excessive indique un tirage excessif.

Le raccord de cheminée et la cheminée doivent avoir le même diamètre que la sortie du poêle (6"). Si ce n'est pas le cas, nous vous recommandons de contacter votre revendeur pour vous assurer qu'il n'y aura pas de problème avec le tirage. Le tuyau de poêle doit être en acier aluminisé ou laminé à froid et avoir une épaisseur minimale de 0,021 po ou 0,53 mm. Il est strictement interdit d'utiliser de l'acier galvanisé. Le tuyau de fumée doit être assemblé pour favoriser la section mâle (extrémité sertie) du tuyau à être tournée vers le bas. Fixez chaque section à une autre avec trois vis métalliques espacées d'une distance égale. Le tuyau doit être court et droit. Toutes les sections installées horizontalement doivent être inclinées d'au moins 1/4 de pouce par pied, avec l'extrémité supérieure de la section vers la cheminée. Toute installation avec un tuyau de cheminée horizontal doit être conforme à la norme NFPA 211. Pour assurer un bon tirage, la longueur totale du tuyau de coupplage ne doit jamais dépasser 8 pi à 10 pi (2,4 m à 3,04 m). Sauf pour les cas d'installation verticale, dans un style toit cathédrale où le système d'évacuation des fumées peut être beaucoup plus long et raccordé sans problème à la cheminée au plafond de la pièce. Il ne devrait jamais y avoir plus de deux coudes à 90 degrés dans le système d'évacuation des fumées. L'installation d'un « stabilisateur de tirage barométrique » (registreur de cheminée) sur un système d'évacuation des fumées est interdite. De plus, l'installation d'un registre de tirage n'est pas recommandée. Avec un poêle à bois à combustion contrôlée, le tirage est régulé à l'entrée de l'air de combustion dans le poêle et non à l'échappement.



- Le dégagement minimum d'un tuyau de raccordement passant par un mur combustible est de 457,2 mm (18 po).
- Communiquez avec le département local de sécurité si vous souhaitez réduire les dégagements entre les conduits de fumée et les matériaux combustibles.



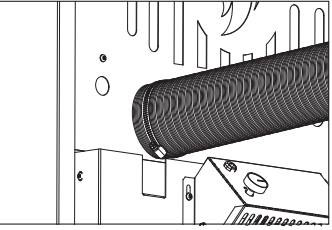
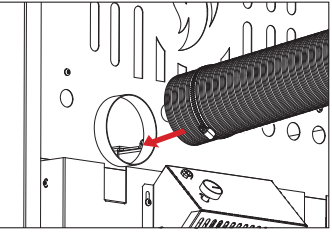
A	Entre le mur arrière et le poêle	15	381
B	Entre le mur adjacent et le poêle	18	457
C	Entre le mur et le coin (installation en angle)	19	483
D	Hauteur du plafond	84	2134
E	Entre le mur arrière et le conduit de fumée	18-1/2	470
F	Entre le mur adjacent et le conduit de fumée	28-1/2	724
G	Entre le mur et le conduit de fumée (installation en angle)	29	737
		po	mm

## AIR DE COMBUSTION EXTÉRIEUR

Votre poêle à bois est approuvé pour être installé avec une entrée d'air extérieure «4FAK» nécessaire pour une maison mobile. Ce type d'installation est également requis dans les maisons étanches et les maisons ayant des problèmes de pression négative. Vous pouvez acheter cette option auprès de votre vendeur d'appareils de chauffage. Assurez-vous d'indiquer le numéro de pièce

mentionné dans ce livret. Les instructions relatives à l'installation sont fournies avec le kit d'admission d'air. L'air de combustion extérieur peut être requis si :

1. Votre poêle n'aspire pas de façon continue, une dispersion des fumées a lieu, le bois brûle mal, ou des contre-explosions se produisent qu'il y ait ou non des matières combustibles.
2. Les appareils à foyer existants au sein du domicile, tels que des cheminées ou d'autres appareils de chauffage, émettent des odeurs, ne fonctionnent pas correctement, émettent des fumées lorsqu'ils sont ouverts ou des contre-explosions se produisent qu'il y ait ou non des matières combustibles.
3. Ouvrir légèrement une fenêtre lors d'un jour calme « sans vent » réduit les symptômes ci-dessus.
4. La maison est équipée d'un pare-vapeur parfaitement étanche et de fenêtres bien ajustées et/ou dispose d'appareils électriques qui expulsent l'air de la maison.
5. Il y a une condensation excessive sur les vitres en hiver.
6. Un système de ventilation est installé dans la maison.




Faites glisser le collier de serrage sur le tuyau flexible en aluminium. Ensuite, glissez le tuyau flexible sur le tube d'admission d'air du poêle. Serrez ensuite le collier de serrage sur l'extrémité du tuyau flexible en aluminium.

**POUR UTILISATION DANS DES MAISONS MOBILES**  
**«INSTALLATIONS AUX É.-U. UNIQUEMENT»:**

- ATTENTION! NE PAS INSTALLER DANS LA CHAMBRE À COUCHER.
- MISE EN GARDE! L'INTÉGRITÉ STRUCTURELLE DU PLANCHER, DU MUR ET DU PLAFOND / DU TOIT DE LA MAISON MOBILE DOIT ÊTRE MAINTENUE.
- LE POÊLE DOIT ÊTRE FIXÉ À LA STRUCTURE DE LA MAISON MOBILE. UTILISEZ LES DEUX «2» TROUS AU FOND DU PIÉDESTAL DE LA RADIATEUR POUR FIXER L'APPAREIL AU SOL.

- **AVIS DE SÉCURITÉ:**

- L'INSTALLATION INCORRECTE DE CE POÊLE POURRAIT ENTRAÎNER L'INCENDIE DU DOMICILE. AFIN DE RÉDUIRE LE RISQUE D'INCENDIE, RESPECTEZ LES INSTRUCTIONS D'INSTALLATION. NE PAS RESPECTER LES INSTRUCTIONS PEUT ENTRAÎNER DES DOMMAGES MATÉRIELS, DES BLESSURES PERSONNELLES VOIRE LA MORT !
- CONSULTEZ LES FONCTIONNAIRES MUNICIPAUX DE CONSTRUCTION OU DE LUTTE CONTRE LES INCENDIES AFIN DE CONNAÎTRE LES LIMITATIONS ET LES EXIGENCES D'INSTALLATION DE VOTRE RÉGION.
- UTILISEZ DES DÉTECTEURS DE FUMÉE DANS LA PIÈCE DANS LAQUELLE LE POÊLE EST INSTALLÉ.
- MAINTENEZ LE MOBILIER ET LES RIDEAUX ÉLOIGNÉS DU POÊLE.
- N'UTILISEZ PAS D'ESSENCE, DE COMBUSTIBLE POUR LANTERNE À ESSENCE, DE KÉROÏËNE, DE LIQUIDE D'ALLUMAGE DE CHARBON OU DE LIQUIDES SIMILAIRES POUR DÉMARRER OU « RAVIVER » UN FEU DANS CE POÊLE. MAINTENEZ TOUS CES LIQUIDES ÉLOIGNÉS DU POÊLE.
- EN CAS D'INCENDIE DE CHEMINÉE, FERMEZ COMPLÈTEMENT LA COMMANDE D'AIR AFIN DE PRIVER LE FEU D'OXYGÈNE. APPELEZ LES POMPIERS.
- NE CONNECTEZ PAS LE POÊLE À UN CONDUIT OU CIRCUIT DE DISTRIBUTION D'AIR.
- UNE SOURCE D'AIR FRAIS DANS LA PIÈCE OU L'ESPACE CHAUFFÉ DEVRA ÊTRE FOURNIE SI NÉCESSAIRE.



**NATIONAL FIREPLACE INSTITUTE**  
certified in Canada by  
Wood Energy Technical Training (WETT).

We recommend that our woodburning hearth products be installed and serviced by professionals who are certified in the U.S. by the National Fireplace Institute® (NFI) as NFI Woodburning Specialists or who are certified in Canada by Wood Energy Technical Training (WETT).

[www.wettinc.ca](http://www.wettinc.ca)

- L'INSTALLATION INCORRECTE DE CE POÊLE POURRAIT ENTRAÎNER L'INCENDIE DU DOMICILE. AFIN DE RÉDUIRE LE RISQUE D'INCENDIE, RESPECTEZ LES INSTRUCTIONS D'INSTALLATION. NE PAS RESPECTER LES INSTRUCTIONS PEUT ENTRAÎNER DES DOMMAGES MATÉRIELS, DES BLESSURES PERSONNELLES VOIRE LA MORT !
- CONSULTEZ LES FONCTIONNAIRES MUNICIPAUX DE CONSTRUCTION OU DE LUTTE CONTRE LES INCENDIES AFIN DE CONNAÎTRE LES LIMITATIONS ET LES EXIGENCES D'INSTALLATION DE VOTRE RÉGION.
- UTILISEZ DES DÉTECTEURS DE FUMÉE DANS LA PIÈCE DANS LAQUELLE LE POÊLE EST INSTALLÉ.
- MAINTENEZ LE MOBILIER ET LES RIDEAUX ÉLOIGNÉS DU POÊLE.
- N'UTILISEZ PAS D'ESSENCE, DE COMBUSTIBLE POUR LANTERNE À ESSENCE, DE KÉROÏËNE, DE LIQUIDE D'ALLUMAGE DE CHARBON OU DE LIQUIDES SIMILAIRES POUR DÉMARRER OU « RAVIVER » UN FEU DANS CE POÊLE. MAINTENEZ TOUS CES LIQUIDES ÉLOIGNÉS DU POÊLE.
- EN CAS D'INCENDIE DE CHEMINÉE, FERMEZ COMPLÈTEMENT LA COMMANDE D'AIR AFIN DE PRIVER LE FEU D'OXYGÈNE. APPELEZ LES POMPIERS.
- NE CONNECTEZ PAS LE POÊLE À UN CONDUIT OU CIRCUIT DE DISTRIBUTION D'AIR.
- UNE SOURCE D'AIR FRAIS DANS LA PIÈCE OU L'ESPACE CHAUFFÉ DEVRA ÊTRE FOURNIE SI NÉCESSAIRE.

## POSITIONNEMENT DU POÊLE

US Stove recommande fortement que votre poêle soit installé par un technicien qualifié NFI (US) ou WETT (Canada). Pour trouver l'installateur qualifié le plus proche, accédez à : <https://nficertified.org/> or <https://www.wettinc.ca/>

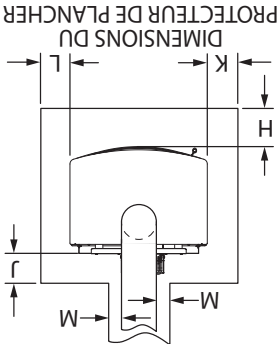
Il est très important de choisir un emplacement le plus près possible de la cheminée dans une zone favorisant la meilleure distribution de chaleur possible à travers la maison. Par conséquent, le poêle doit être installé dans la pièce où les occupants de la maison passent le plus de temps et dans la pièce la plus spacieuse. Souvent, vous que les poêles à bois produisent de la chaleur radiante, celle qu'on ressent lorsqu'on est près d'un poêle à bois. Un poêle à bois fonctionne aussi par convection, ce qui signifie par le déplacement accéléré de l'air chaud vers le haut

## DÉGAGEMENTS AUX COMBUSTIBLES

Il est de la plus haute importance que les dégagements par rapport aux matières combustibles soient rigoureusement respectés au cours de l'installation du poêle.

- Ne placez pas de matière combustible à l'intérieur de 1,2 m (4 pi) de la partie avant de l'appareil.
- Le feu entre le conduit de fumée et un mur ne sont valables que pour les murs verticaux et pour les tuyaux de fumée verticaux
- Le conduit de raccordement de la cheminée ne doit pas passer par un grenier ou un vide sous toit, un placard ou autre espace fermé similaire, un plancher et un plafond.
- Pour les installations au Canada, lorsqu'on souhaite passer un tuyau dans un mur ou une cloison de construction combustible, l'installation doit alors se certifier à CAN/CSA-B365.

* Les installations canadiennes nécessitent 18 po (457 mm)	
*H	De face
407mm	16 po
J	Retour
51mm	2 po
K	La gauche
204mm	8 po
L	Droite
204mm	8 po
M	Côtés du tuyau de cheminée
51mm	2 po



Cet appareil de chauffage doit comporter un protecteur de plancher incombustible (protection contre la braise) installé en dessous si le plancher est en matériau combustible. Si un tampon de sol est utilisé, il doit être répertorié UL ou équivalent. Le tampon de sol s'étend sous le poêle et au-delà de chaque côté, comme indiqué. S'il y a un conduit de cheminée horizontal, il doit y avoir une protection du plancher dessous qui s'étend de deux pouces au-delà de chaque côté du tuyau.

## PROTECTEUR DE SOL

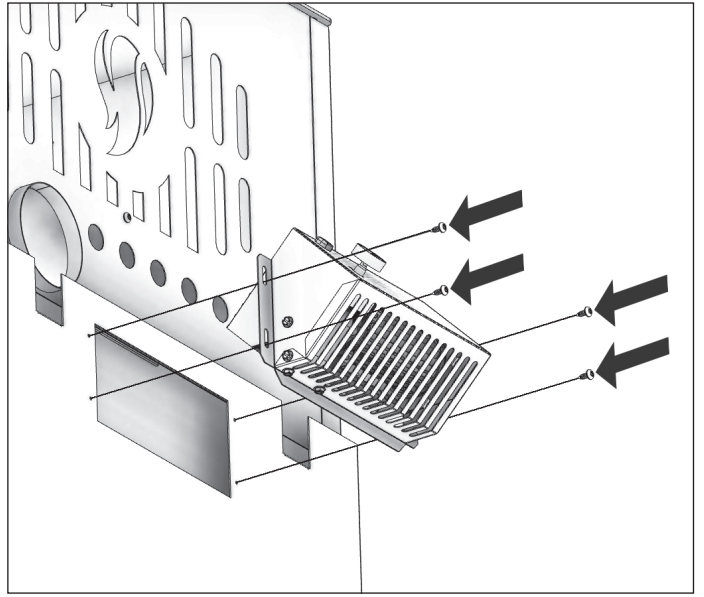
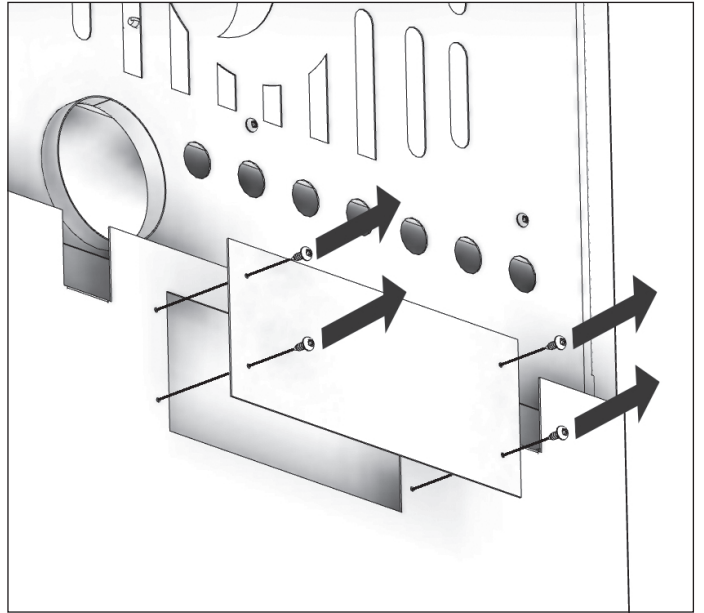
et son remplacement de l'air froid. Au besoin, la distribution d'air chaud à partir du poêle peut être facilitée par l'installation d'une soufflante. Passez le cordon d'alimentation dans le sens opposé de l'unité. Ne passez pas le cordon d'alimentation sous ou devant l'appareil. Le poêle à bois ne doit pas être raccordé à un système de distribution d'air chaud puisqu'une accumulation excessive de chaleur pourrait se produire.

**DÉBALLAGE ET INSPECTION**

Retirez l'emballage de l'appareil et vérifiez qu'il n'est pas endommagé. Assurez-vous que les briques sont correctement positionnées et non cassées (voir l'illustration pour une disposition correcte des briques). Assurez-vous que le déflecteur bord, au-dessus des tubes à air, est en place et en bon état.

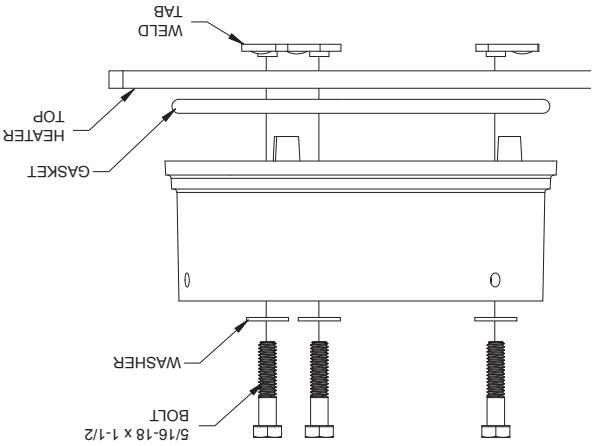
**ENSEMBLE VENTILATEUR EN OPTION**

Le ventilateur doit être déconnecté de la source d'alimentation électrique avant de tenter l'installation. L'ensemble souffleur est destiné à être utilisé uniquement avec un poêle qui est marqué pour indiquer une telle utilisation. Ne faites pas passer le cordon d'alimentation à proximité ou sur des surfaces chaudes! Retirez le couvercle. Fixez l'assemblage à l'arrière du poêle avec les quatre vis fournies.



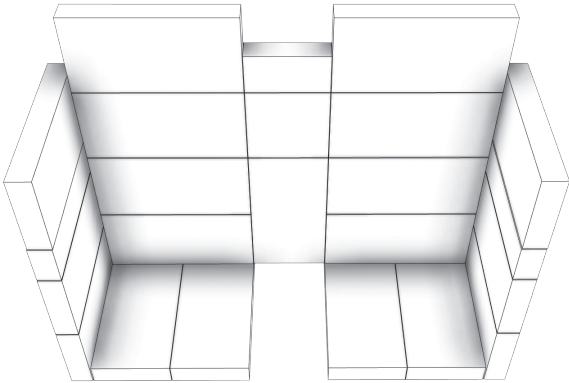
**ENSEMBLE COLLIER DE CHEMINÉE**

Montez le collet de cheminée sur le dessus de l'unité comme illustré à l'aide des (3) boulons 5 / 16-18 x 1-1 / 2, (3) rondelles et (3) languettes de soudure fournies dans la boîte des pièces.



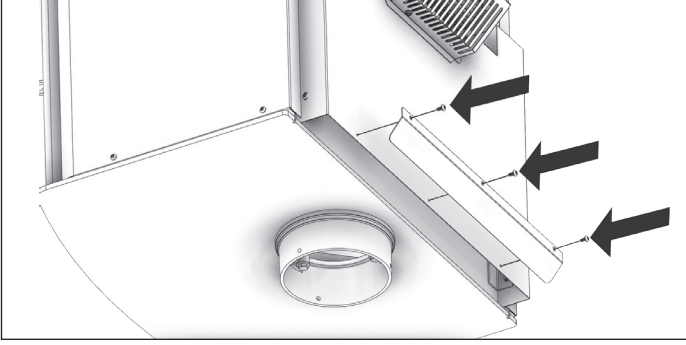
**CONFIGURATION DE BRIQUES RÉFRACTAIRES**

Remplacez la brique réfractaire comme indiqué sur l'illustration.



**ENSEMBLE DÉFLECTEUR D'AIR**

Utilisez les vis fournies pour fixer le déflecteur d'air à l'arrière de l'appareil.



# LISTE DE CONTRÔLE D'INSTALLATION

Votre poêle à bois ne doit être installé que par un installateur qualifié. Un installateur qualifié NFI peut être trouvé à [www.nficertified.org/public/find-an-nfi-pro/](http://www.nficertified.org/public/find-an-nfi-pro/)

Pour le service client, veuillez contacter votre revendeur Breckwell.

## LISTE DE CONTRÔLE DE MISE EN SERVICE

Cette liste de contrôle doit être remplie intégralement par la personne qualifiée qui installe cet appareil. Conservez cette page pour référence future.  
Le fait de ne pas installer et mettre en service selon les instructions du fabricant et de remplir cette liste de contrôle annulera la garantie.

S'il te plaît imprime

Nom du client:		Numéro de Téléphone	
Adresse:			
Modèle:			
Numéro de série:			
Nom de la société d'installation:		Numéro de Téléphone:	
Nom du technicien d'installation:		Numéro de Licence:	

## DESCRIPTION DU TRAVAIL

Emplacement de l'appareil installé: \_\_\_\_\_

Système de cheminée: nouveau système de cheminée  Oui  Non si oui, marque \_\_\_\_\_

Si non, date d'inspection du système de cheminée existant: \_\_\_\_\_

## MISE EN SERVICE

- Confirmer l'installation du tapis de foyer conformément aux instructions d'installation.
  - Confirmer le bon placement des pièces internes.
  - Vérifier la solidité du joint de porte et de l'étanchéité de la porte.
  - Confirmer les dégagements aux combustibles selon les instructions d'installation de ce manuel.
  - Vérifier le fonctionnement des commandes pneumatiques.
  - Confirmer que tous les tuyaux de fumée et le système de cheminée sont sécurisés et scellés.
  - Confirmez que le poêle tire correctement lorsqu'il est allumé.
  - Assurez-vous qu'un avertisseur de CO est installé conformément aux codes du bâtiment locaux et qu'il est fonctionnel.
  - Expliquer le fonctionnement en toute sécurité, l'utilisation appropriée du carburant, le nettoyage et les exigences d'entretien courant.
- Déclaration d'achèvement: En tant que personne qualifiée responsable des travaux ci-dessus, je confirme que l'appareil en tant que travail associé a été installé conformément aux instructions du fabricant et en suivant les codes de construction et d'installation applicables.

Signé: \_\_\_\_\_ Nom en lettres moulées \_\_\_\_\_ Date: \_\_\_\_\_

**Propriétaire du domicile: CONSERVEZ CETTE INFORMATION POUR RÉFÉRENCE FUTURE**

CONSERVEZ VOTRE RÉÇU ORIGINAL POUR TOUTE RÉCLAMATION DE GARANTIE. CONTACTEZ VOTRE REVENDEUR OU INSTALLATEUR SI VOUS AVEZ BESOIN DE DÉPOSER UNE RÉCLAMATION.

IL EST CONTRE LES RÉGÈLEMENTS FÉDÉRAUX DE FAIRE FONCTIONNER CE CHAUFFE À BOIS D'UNE MANIÈRE INCOMPATIBLE AVEC LES INSTRUCTIONS D'UTILISATION DU MANUEL DU PROPRIÉTAIRE.

**ATTENTION:**

- CHAUD EN FONCTIONNEMENT. TENIR LES ENFANTS, LES VÊTEMENTS ET LES MEUBLES À L'ÉCART. LE CONTACT PEUT CAUSER DES BRÛLURES DE LA PEAU.
- N'UTILISEZ PAS DE PRODUITS CHIMIQUES OU DE FLUIDES POUR ALLUMER LE FEU.
- NE LAISSEZ PAS LE POÊLE SANS SURVEILLANCE LORSQUE LA PORTE EST LÉGÈREMENT OUVERTE.
- NE BRÛLEZ PAS LES DÉCHETS, LES LIQUIDES INFLAMMABLES TELS QUE L'ESSENCE, LE NAPHTHA OU L'HUILE DE MOTEUR.
- NE BRANCHEZ AUCUN CONDUIT OU SYSTÈME DE DISTRIBUTION D'AIR.
- FERMEZ TOUJOURS LA PORTE APRÈS L'ALLUMAGE.

**MISES EN GARDE:**

Combustible:	Bois
Couleurs:	Noir
Diamètre du tuyau de raccordement:	6 po (153 mm)
Type De Conduit De Fumée - Simple Paroi Standard	Acier noir ou bleu à 650°C (2100°F)
Hauteur minimale de la cheminée:	12 pi (3,7 m)
Longueur maximale des bûches:	21 po (534 mm)
Composants électriques	120 VCA, 60 Hz, 0,4 A, 31 W
Dimensions	
Globale: Profondeur x Largeur x Hauteur:	26-1/4 po x 27-5/16 po x 37-11/16 po (667 mm x 694 mm x 958 mm)
Chambre de combustion: Largeur x profondeur:	22-3/4 po x 16-11/16 po (578 mm x 424 mm)
Volume Firebox: Pieds cubes:	2,73 cf
Ouverture de porte: Largeur x hauteur:	18 po x 10 po (458 mm X 254 mm)
Porte en verre pyrocéramique: (Vue) Largeur x hauteur:	16 po x 9 po (407 mm X 229 mm)

Le manuel décrit l'installation et le fonctionnement du chauffage au bois, Breckwell SW2.5. Ce chauffage respecte les limites d'émission 2020 de bois en saison de la U.S. Environmentally Protection Agency pour les chauffages au bois solide après le 15 mai 2020. Sous les conditions spécifiques du test, ce chauffage a démontré un taux de chauffage de 20 374 à 60 065 Btu/h avec 0,88 g / h et 73% d'efficacité. Remarque: Les valeurs de BTU mentionnées ci-dessus sont basées sur le protocole de test EPA dans des conditions de test spécifiques. Nos BTU publiés sont basés sur la première heure de fonctionnement à un taux élevé de combustion brûlant du bois de corde.



# Manuel D'Instructions et D'utilisation Du Propriétaire



## BRECKWELL

Numéro De Modèle:

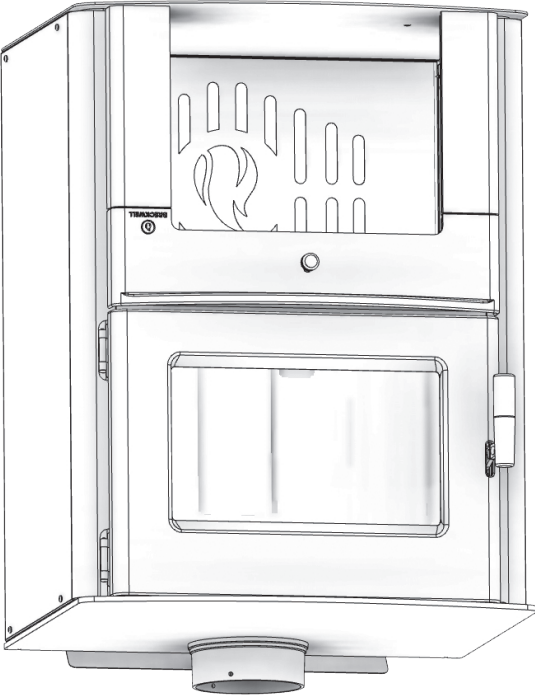
**SW2.5**



Rapport #: F20-608

Testé conformément aux méthodes ALT-125, ASTM E2515, ASTM E3053 et CSA B415 de l'EPA. Certifié UL 1482-2011 (R2015) et ULCS627-00-REV1 Approuvé pour l'installation de maisons mobiles aux Etats-Unis seulement

\* Toutes les images de ce manuel sont à des fins d'illustration uniquement. Le produit réel peut varier.



Conservez ces instructions dans un endroit sûr pour référence ultérieure.



**AVIS DE SÉCURITÉ:** Si ce radiateur n'est pas correctement installé, un incendie peut en résulter. Pour votre sécurité, suivez les instructions d'installation. N'utilisez jamais de compromis de fortune lors de l'installation de ce radiateur. Contactez les responsables locaux du bâtiment ou des pompiers pour connaître les permis, les restrictions et les exigences d'installation dans votre région. **NE JAMAIS UTILISER CE PRODUIT SANS SURVEILLANCE.**



**MISE EN GARDE!** Veuillez lire l'intégralité de ce manuel avant d'installer ou d'utiliser votre nouveau radiateur. Le non-respect des instructions peut entraîner des dommages matériels, des blessures corporelles ou même la mort. Une installation incorrecte pourrait annuler votre garantie!

**AGENCE AMÉRICAINE DE PROTECTION DE L'ENVIRONNEMENT**  
Certifié conforme aux normes d'émissions de particules 2020.

**AVERTISSEMENT SUR LA PROPOSITION 65 DE LA CALIFORNIE:** Ce produit peut vous exposer à des produits chimiques, y compris le monoxyde de carbone, qui est connu dans l'Etat de Californie pour provoquer le cancer, des anomalies congénitales et / ou d'autres troubles de la reproduction. Pour plus d'informations, visitez [www.p65warnings.ca.gov](http://www.p65warnings.ca.gov)

CE MANUEL EST SUJET À MODIFICATION SANS PRÉAVIS.

© 2021 Breckwell Hearth, South Pittsburg, TN 37380

PH. 423-403-4031