

WRE4500 SERIES

OUTDOOR: WOOD BURNING FIREPLACES

Superior
FIREPLACES®



STANDARD FEATURES

- Available in 36", 42" and 50" models
- Massive smoke dome with no visible smoke shelf for reliable operation
- Fully insulated firebox for increased performance in colder climates
- Refractory panels in two patterns with integrated ash lip
- Heavy duty stainless steel log grate
- Easy access damper control
- Includes stainless steel mesh fire screens
- Optional gas log sets deliver the charm of a wood fire with the convenience of gas
- Dual (left hand/right hand) outside air kits available for maximum performance
- Stainless steel construction for long lasting outdoor use
- Uses IHP 12DM or 12HT (required for Canada) chimney system
- 20 year limited warranty

LINER



White Stacked



White Herringbone

GAS LOG SETS



Smoky Weathered Oak



Ozark Charred Oak



Ashton White Birch

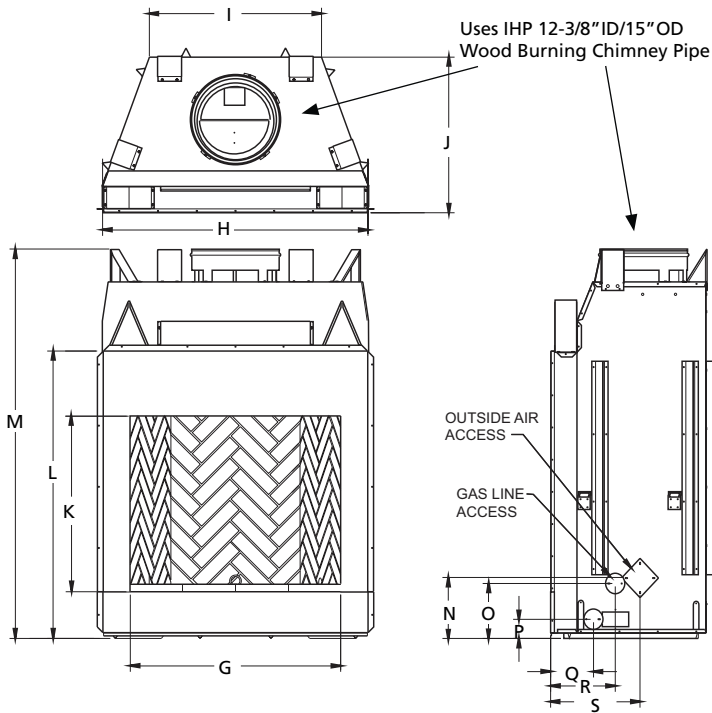
GLASS DOORS



Bifold Glass Doors
in Black Trim Finish

superiorfireplaces.us.com

APPLIANCE SPECIFICATIONS



	WRE4536	WRE4542	WRE4550
G	36"	42"	50"
H	45-1/8"	51-1/8"	59"
I	29"	30-1/2"	38-1/2"
J	26-5/8"	29"	28-1/2"
K	30"	30"	30"
L	49"	49"	49"
M	67"	67"	67"
N	10-1/2"	10-1/2"	10-1/2"
O	9-1/2"	9-1/2"	9-1/2"
P	3-1/2"	3-1/2"	3-1/2"
Q	7-1/4"	8-1/2"	8-1/2"
R	11"	13"	13"
S	15-1/4"	17"	17"

On The Cover WRE4542 with White Herringbone Refractory Panels

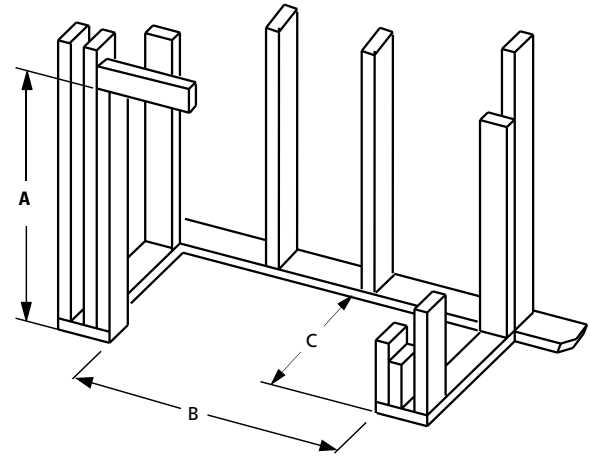


© 2022 Innovative Hearth Products

785868M 03/22

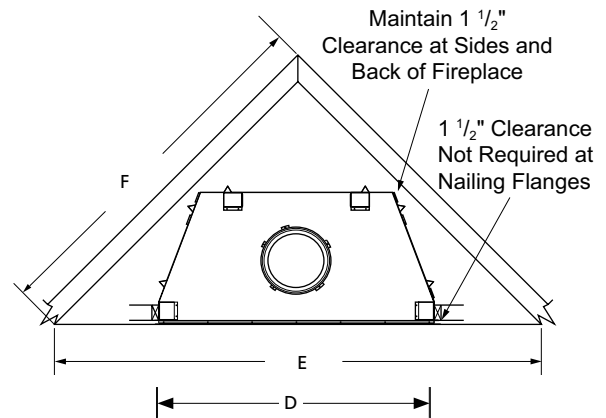
FRAMING SPECIFICATIONS

FLAT WALL INSTALLATION



	WRE4536	WRE4542	WRE4550
A	67-1/8"	67-1/8"	67-1/8"
B	45-1/4"	51-1/4"	59-1/4"
C	28-1/4"	30-1/8"	30-1/8"

CORNER INSTALLATION



	WRE4536	WRE4542	WRE4550
D	45-1/4"	51-1/4"	59-1/4"
E	86-1/2"	92"	100"
F	61"	65"	71"

IMPORTANT NOTES:

As with any fireplace, this appliance is extremely hot during operation. Read and understand all operating instructions before using this appliance. For further information, consult your dealer.

Local conditions, such as elevation, wind, vent configuration and choice of fuel will affect overall appearance of the fire and heating performance. Performance can also vary with home design and insulation, climate, condition and type of fuel used, appliance location, burn rate, accessories chosen, chimney installation and how the appliance is operated.

Diagrams, illustrations and photographs are not to scale—consult installation instructions. Product designs, materials, dimensions, specifications, colors and prices are subject to change or discontinuance without notice.

Visit us online
SuperiorFireplaces.us.com



Report #F09-095