

# WRT8000 SERIES

WOOD BURNING FIREPLACES

**Superior**  
FIREPLACES®



## STANDARD FEATURES

- Available in a 48" wide and 42" tall opening to provide an exceptional view of the fire
- Flush hearth floor design (hearth spacer required for combustible floor installations)
- Massive smoke dome with no visible smoke shelf for reliable operation
- Fully insulated firebox for increased performance in colder climates
- Mosaic Masonry Firebrick available in a split herringbone pattern and variety of colors (one required)
- Heavy duty steel grate with rugged forged andirons
- Easy access damper control
- Includes mesh fire screens
- Optional glass door available in black trim finish for improved safety
- Optional gas log sets deliver the charm of a wood fire with the convenience of gas
- Dual (left hand/right hand) outside air kits available for maximum performance
- Durable textured powder coat finish
- Uses IHP 12DM or 12HT (required for Canada) chimney system
- 20 Year Limited Warranty

## INTERIOR



Midnight



Warm Red



Slate Grey



Ivory

## GAS LOG SETS



Smoky Weathered Oak



Ozark Charred Oak



Ashton White Birch

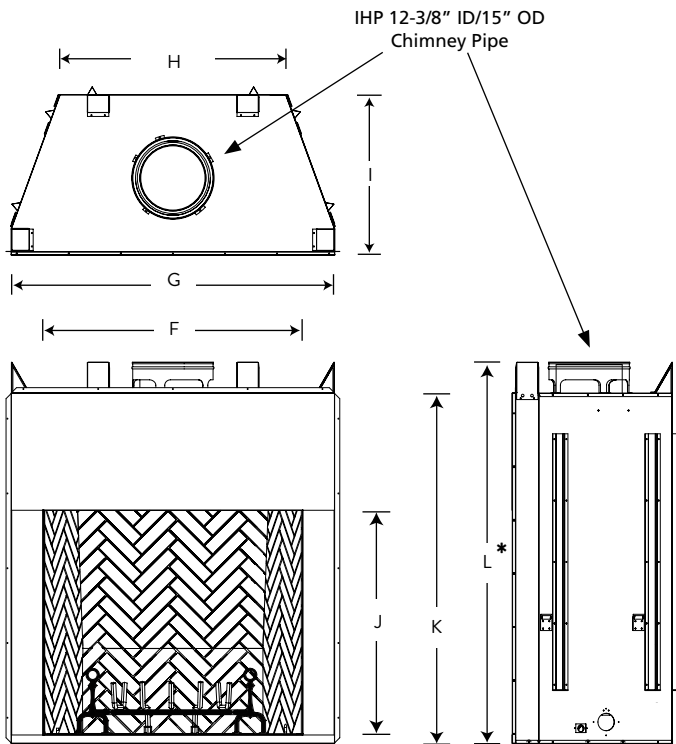
## GLASS DOORS



Bifold Glass Doors  
in Black Trim Finish

[superiorfireplaces.us.com](http://superiorfireplaces.us.com)

## APPLIANCE SPECIFICATIONS



**WRT8048**

F	48"
G	60-5/8"
H	42-3/8"
I	30"
J	42"
K	65-3/4"
L	76-1/4" * includes hearth spacer

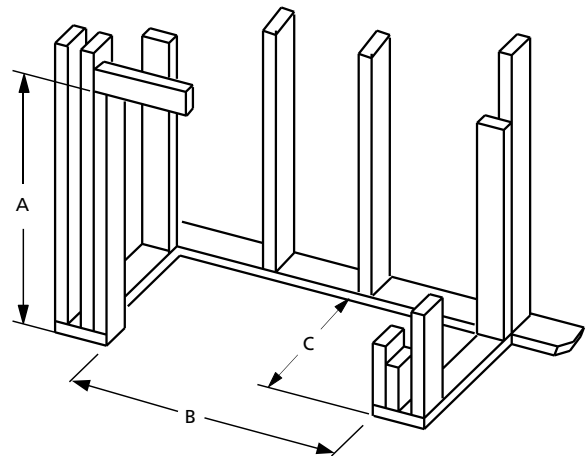
### IMPORTANT NOTES:

As with any fireplace, this appliance is extremely hot during operation. Read and understand all operating instructions before using this appliance. For further information, consult your dealer.

Local conditions, such as elevation, wind, vent configuration and choice of fuel will affect overall appearance of the fire and heating performance. Performance can also vary with home design and insulation, climate, condition and type of fuel used, appliance location, burn rate, accessories chosen, chimney installation and how the appliance is operated.

Diagrams, illustrations and photographs are not to scale—consult installation instructions. Product designs, materials, dimensions, specifications, colors and prices are subject to change or discontinuance without notice.

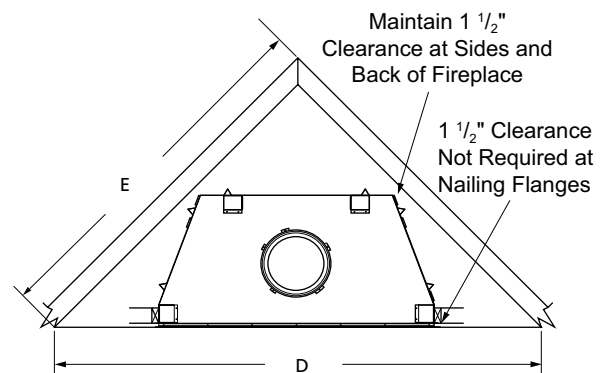
## FRAMING SPECIFICATIONS



**WRT8048**

A	76-3/8" with hearth spacers	71-1/2" with no spacers
B	60-7/8"	
C	31-5/8"	

## CORNER FRAMING SPECIFICATIONS



**WRT8048**

D	107-3/8"
E	78-7/8"

**ON THE COVER:** WRT8000 Fireplace with ivory Split Herringbone Mosaic Masonry™ brick



© 2022 Innovative Hearth Products

785852M 05/22

Visit us online  
[SuperiorFireplaces.us.com](http://SuperiorFireplaces.us.com)

