

VRT4500 SERIES

VENT-FREE GAS FIREBOXES

Superior
FIREPLACES®



STANDARD FEATURES

- Available in 36", 42" and 50" models
- 30" tall and full width refractory opening on all models
- Fully insulated firebox for increased performance in colder climates
- Refractory panels available in two patterns
- Includes mesh fire screens
- Durable textured powder coat finish
- Select from a variety of compatible vent-free log sets and controls (sold separately)
- Easy-access gas line knockouts on both sides for quick and simple installation
- Dual (left hand/right hand) outside air kits available for maximum performance
- 20 year limited warranty

Compatible with any listed ANSI Z21.11.2 vent-free gas log set. Choose a Superior vent-free gas log set for best results.

LINER



White Stacked



White Herringbone

COMPATIBLE VENT-FREE GAS LOG SETS



Boulder Mountain



Wild Timber



Rugged Stack



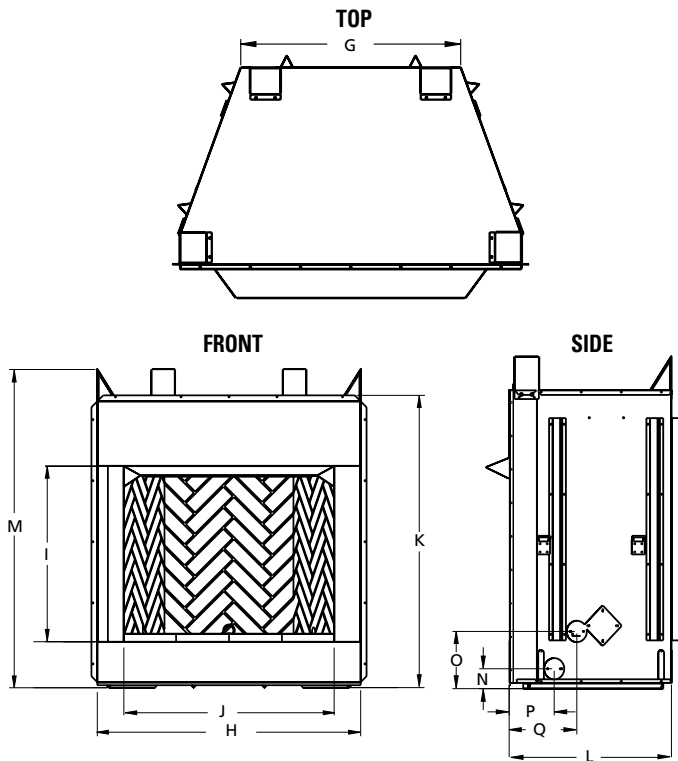
Giant Timbers



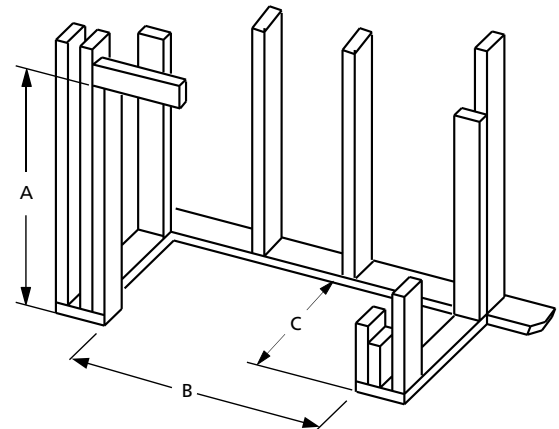
Mossy Oak

APPLIANCE SPECIFICATIONS

FRAMING SPECIFICATIONS

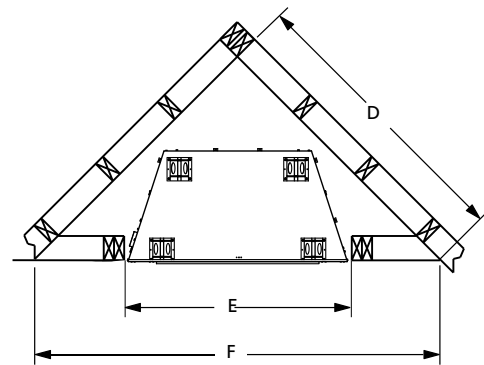


	VRT4536	VRT4542	VRT4550
G	29"	30-5/16"	38-5/16"
H	45-1/8"	51-1/8"	59-1/8"
I	30"	30"	30"
J	36"	42"	50"
K	49"	49"	49"
L	28"	30"	30"
M	54-1/2"	54-1/2"	54-1/2"
N	3-5/16"	3-5/16"	3-5/16"
O	9-7/16"	9-7/16"	9-7/16"
P	7-3/8"	8-3/4"	8-3/4"
Q	11-1/8"	13"	13"



	VRT4536	VRT4542	VRT4550
A	54-5/8"	54-5/8"	54-5/8"
B	45-3/8"	51-3/8"	59-3/8"
C	28-1/4"	30-1/8"	30-1/8"

CORNER FRAMING SPECIFICATIONS



	VRT4536	VRT4542	VRT4550
D	61"	65"	71"
E	45-3/8"	51-3/8"	59-3/8"
F	86-1/2"	92"	100"

INTERIOR FIREBOX DIMENSIONS*

	VRT4536	VRT4542	VRT4550
FRONT WIDTH	36"	42"	50"
REAR WIDTH	22 1/2"	26 3/8"	34 3/8"
DEPTH	19"	21 3/4"	21 3/4"
HEIGHT	30"	30"	30"

* To assist with compatible log size selection

IMPORTANT NOTES:

As with any fireplace, this appliance is extremely hot during operation. Read and understand all operating instructions before using this appliance. For further information, consult your dealer.

Local conditions, such as elevation and choice of fuel will affect overall appearance of the fire and heating performance. Performance can also vary with home design and insulation, ceiling height, accessories chosen and appliance location.

Diagrams, illustrations and photographs are not to scale — consult installation instructions. Product designs, materials, dimensions, specifications, colors and prices are subject to change or discontinuance without notice.

ON THE COVER: VRT4550 with White Stacked refractory panels and VFGT Series log set



© 2022 Innovative Hearth Products
785843M 07/22

Visit us online
SuperiorFireplaces.us.com

