

DRT40ST

DIRECT VENT GAS FIREPLACES

Superior
FIREPLACES®



STANDARD FEATURES

- Available in a 40" see-through model
- Combination top/rear flue configuration
- Energy saving electronic ignition
- Outstanding heating efficiency for increased comfort and lower operating costs
- Standard tempered glass and a protective screen*
- Beautifully crafted ceramic fiber "oak" log set with heavy-duty grate
- Clean faced heat-circulating design
- Black painted interior (optional ceramic fiber liner available)
- Durable textured powder coat finish
- Optional blower and hand-held remote controls available
- 20 Year Limited Warranty

*All applicable models comply with ANSI Z21.50/88 barrier requirements.

INTERIOR



Black Painted (Standard)



Buff Stacked
Ceramic Fiber Liner



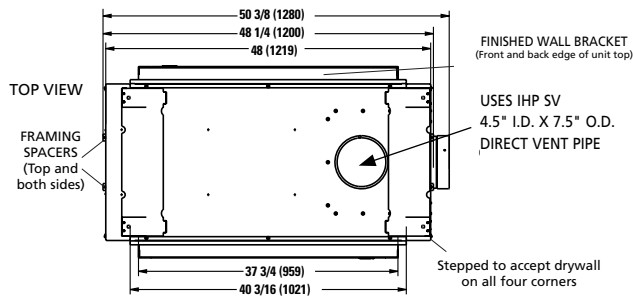
Optional Touch Remote

superiorfireplaces.us.com

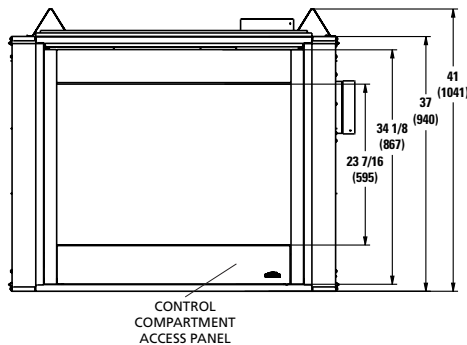
APPLIANCE SPECIFICATIONS

FRAMING SPECIFICATIONS

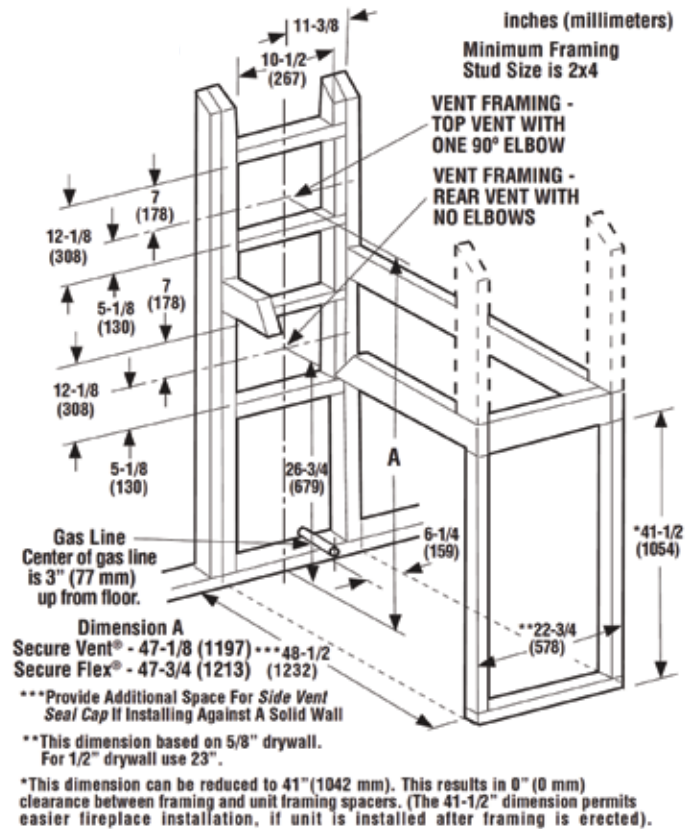
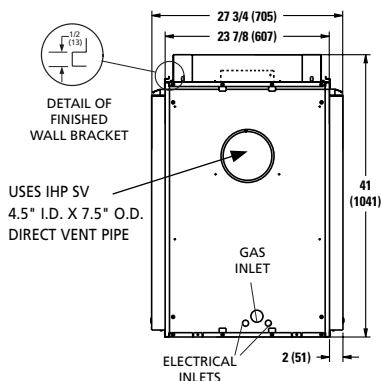
TOP VIEW



FRONT VIEW



FLUE SIDE VIEW



DRT40ST FIREPLACE EFFICIENCIES — Listed to ANSI Z21.88 as a gas fireplace heater

MODEL	FUEL	BTU/HR	AFUE**	P4 / ENERGUIDE
DRT40ST DEN	NG	37,000	68.2%	57.7%

**Annual Fuel Utilization Efficiency (AFUE) is the recognized U.S. rating system for the total efficiency of heating products.

IMPORTANT NOTES:

As with any fireplace, this appliance is extremely hot during operation. Read and understand all operating instructions before using this appliance. For further information, consult your dealer.

Local conditions, such as elevation, wind, vent configuration and choice of fuel will affect overall appearance of the fire and heating performance. Performance can also vary with home design and insulation, climate, condition and type of fuel used, appliance location, burn rate, accessories chosen, chimney installation and how the appliance is operated.

Diagrams, illustrations and photographs are not to scale—consult installation instructions. Product designs, materials, dimensions, specifications, colors and prices are subject to change or discontinuance without notice.



© 2022 Innovative Hearth Products

785833M 03/22

Visit us online
SuperiorFireplaces.us.com

