

# DRL6000 ST SERIES

LINEAR DIRECT VENT FIREPLACES

**Superior**  
FIREPLACES®



DRL6072 shown with driftwood log set and platinum crushed glass media

## STANDARD FEATURES

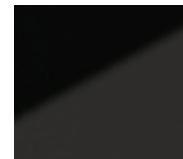
- Available in 60", 72", and 84" linear configured models
- Indoor see-through conversion kit available to allow viewing from two living spaces
- Indoor/Outdoor see-through conversion kit available to enjoy the fire both inside and out (48" model only)
- HeatFlo kit option allows heat to be directed above heat sensitive wall hangings
- Electronic ignition with battery backup provides continued operation in the event of a power outage
- Six flame settings with up to a 30% turn down for precise heat control
- Outstanding heating efficiency for increased comfort and lower operating costs
- Clean-face design with integrated tile stops for easy finishing
- Ceramic glass for optimum heat transfer and a protective screen\*
- Black porcelain liner interior for a reflective view of the fire
- Platinum crushed glass media included with several optional colors available
- Mood enhancing floor lighting enhances the fireplace interior with or without a fire
- Multi-function remote included (IPI/CPI, thermostat, flame height, blower, lighting)
- Optional Power-Vent system available for down-and-out installations
- 20 year limited warranty

\*All applicable models comply with ANSI Z21.88 barrier requirements.

\*\*Blower use is not compatible with a see-through application.

[superiorfireplaces.us.com](http://superiorfireplaces.us.com)

## LINER



Black Porcelain  
Interior  
(Standard)



Reflective Black  
Glass Liner

## MEDIA



Platinum  
**Crushed Glass**  
(Standard)



Refl. Blue  
**Crushed Glass**



Refl. Black  
**Crushed Glass**



High-Definition  
Driftwood Log Set



River Rock  
Assorted Set

## TRIM



Black Perimeter  
Trim Kit

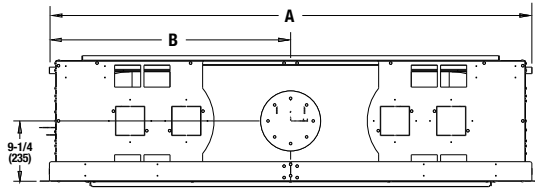
## REMOTE



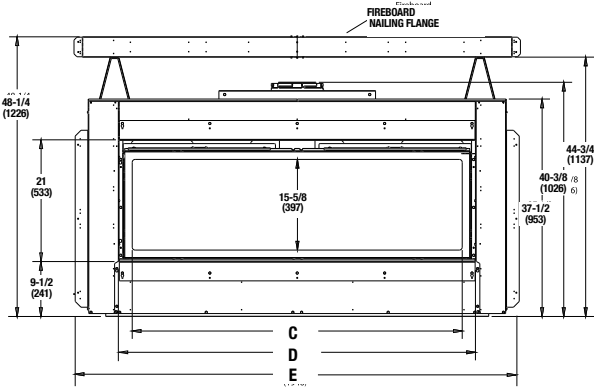
On/Off Thermostat Re-  
mote (Standard)

## APPLIANCE SPECIFICATIONS

## FRAMING SPECIFICATIONS



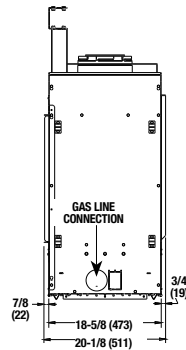
TOP VIEW



FRONT VIEW

### DRL 6000 ST SERIES DIMENSIONS

Models	A	B	C	D	E
60"	74"	37"	56-5/8"	61-1/2"	76-5/8"
72"	86"	43"	68-5/8"	73-1/2"	88-5/8"
84"	98"	49"	80-5/8"	85-1/2"	100-5/8"



RIGHT SIDE VIEW

- REFER TO INSTALLATION MANUAL FOR ALL REQUIRED CLEARANCES TO COMBUSTIBLES.

### FIREPLACE BTU OPERATING RANGE

MODEL	FUEL	BTU/HR	AFUE	P4
DRL 6060-B	NG	40,000-28,000	52.6	55.1
DRL 6060-B	LP	40,000-30,000	52.6	54.0
DRL 6072	NG	45,000-31,500	55.0	57.0
DRL 6072	LP	43,000-32,250	55.0	57.8
DRL 6084	NG	50,000-35,000	51.1	55.4
DRL 6084	LP	47,000-35,250	56.7	63.1

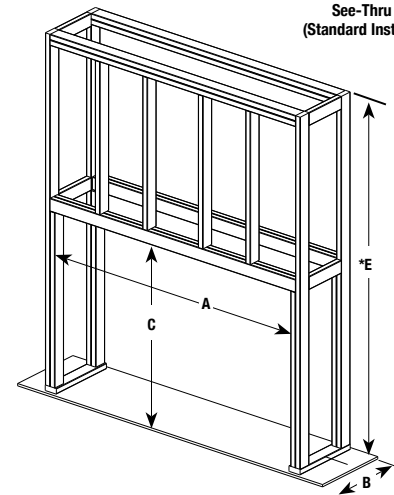
#### IMPORTANT NOTES:

As with any fireplace, this appliance is extremely hot during operation. Read and understand all operating instructions before using this appliance. For further information, consult your dealer.

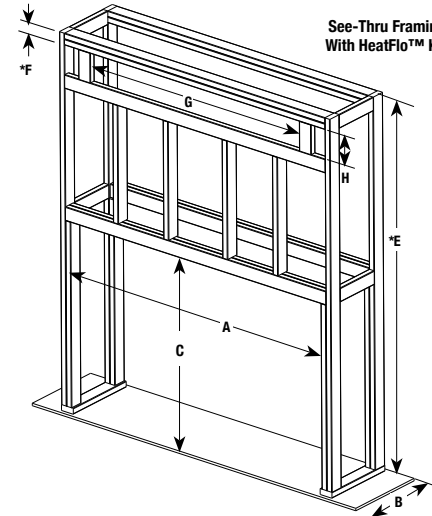
Local conditions, such as elevation and choice of fuel will affect overall appearance of the fire and heating performance. Performance can also vary with home design and insulation, ceiling height, accessories chosen and appliance location.

Diagrams, illustrations and photographs are not to scale — consult installation instructions. Product designs, materials, dimensions, specifications, colors and prices are subject to change or discontinuance without notice.

See-Thru Framing (Standard Installation)



See-Thru Framing With HeatFlo™ Kit



### DRL 6000 ST SERIES FRAMING DIMENSIONS

Models	A	B	C	E	F	G	H
60" See-Thru Framing	74-1/4"	18-1/2"	48-1/2"	84"	—	—	—
60" See-Thru Framing HeatFlo Kit	74-1/4"	18-1/2"	48-1/2"	84"	3"	62"	7-1/2"
72" See-Thru Framing	86-1/4"	18-1/2"	48-1/2"	84"	—	—	—
72" See-Thru Framing HeatFlo Kit	86-1/4"	18-1/2"	48-1/2"	84"	3"	78"	7-1/2"
84" See-Thru Framing	98-1/4"	18-1/2"	48-1/2"	84"	—	—	—
84" See-Thru Framing HeatFlo Kit	98-1/4"	18-1/2"	48-1/2"	84"	3"	90"	7-1/2"

E. Minimum height from appliance base to ceiling

F. Minimum Opening Distance from Ceiling to Allow for Min Distance from HeatFlo Register to Ceiling of 6"

- REFER TO SPEC SHEET FOR COMPLETE SEE-THROUGH APPLICATIONS & INSTRUCTIONS.

