

DRL4543 ST

LINEAR DIRECT VENT FIREPLACES

Superior
FIREPLACES®



STANDARD FEATURES

- 🔥 43" front open linear configuration
- 🔥 Gas controls are conveniently hidden in the fireplace floor
- 🔥 Electronic ignition with battery backup to operate in the event of a power outage
- 🔥 Active, dancing flames help to accentuate the ambiance in any room
- 🔥 Seven flame settings for precise heat control
- 🔥 Clean-face design features ceramic glass for optimum heat transfer and a protective screen*
- 🔥 Three-piece black porcelain interior liners
- 🔥 Mood enhancing fireplace interior lighting, with six distinctive illumination settings
- 🔥 Optional decorative face trim in three designer options
- 🔥 Deluxe remote control (Flame, lighting, IPI/CPI)
- 🔥 20 year limited warranty

*All applicable models comply with ANSI Z21.88 barrier requirements.

superiorfireplaces.us.com

MEDIA



Clear (standard)



Amber

DECORATIVE FACE TRIM



Aged Silver



Aged Copper



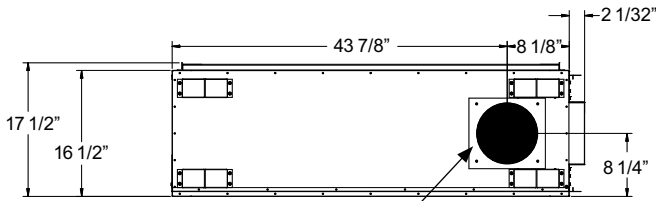
Black

MEDIA

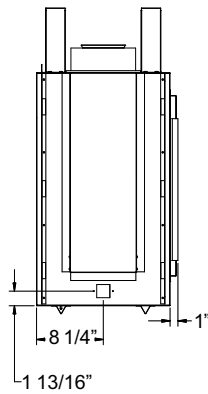
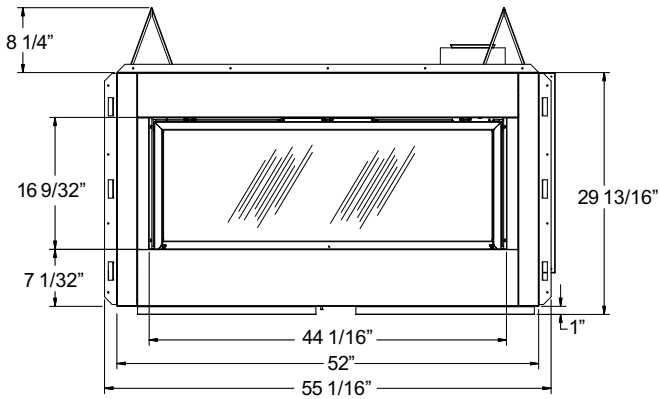


Touch Screen Remote

APPLIANCE SPECIFICATIONS

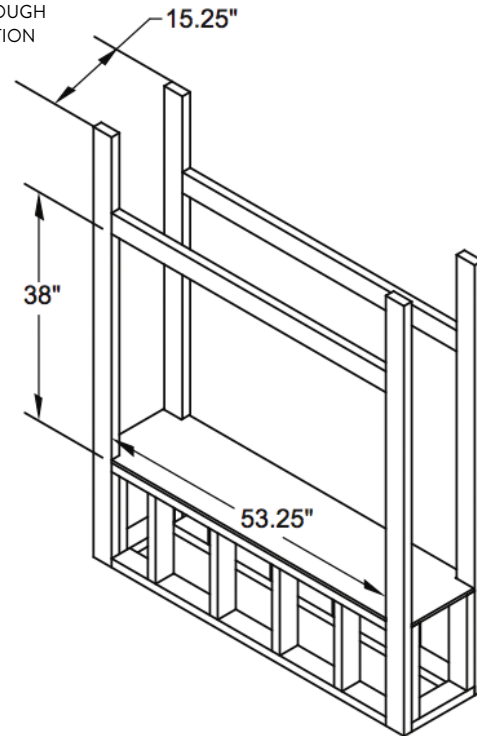


Uses IHP Secure Vent 4.5 components (4.5" ID/ 7.5" OD)



FRAMING SPECIFICATIONS

SEE-THROUGH APPLICATION



FIREPLACE EFFICIENCIES — Listed to ANSI Z21.50 as a decorative gas appliance.

MODEL	FUEL	BTU/HR	AFUE*
DRL4543	NG	22,000-35,000	45.91%
DRL4543	LP	24,000-33,000	42.15%

*Annual Fuel Utilization Efficiency (AFUE) is the recognized U.S. rating system for the total efficiency of heating products.

IMPORTANT NOTES:

As with any fireplace, this appliance is extremely hot during operation. Read and understand all operating instructions before using this appliance. For further information, consult your dealer.

Local conditions, such as elevation, wind, vent configuration and choice of fuel will affect overall appearance of the fire and heating performance. Performance can also vary with home design and insulation, climate, condition and type of fuel used, appliance location, burn rate, accessories chosen, chimney installation and how the appliance is operated.

Diagrams, illustrations and photographs are not to scale—consult installation instructions. Product designs, materials, dimensions, specifications, colors and prices are subject to change or discontinuance without notice.

On the cover: DRL4543 ST shown with black reflective porcelain Liner, amber glass media, and see-thru kit

