

DRT4200 SERIES

DIRECT VENT GAS FIREPLACES



STANDARD FEATURES

- Available in 40" and 45" models
- Full-size 21" deep models offer a larger fireplace interior and log arrangement
- 40" models combo top/rear flue config.; 45" models dedicated top flue configuration
- Electronic ignition w/ seamless battery backup provides continued operation in the event of a power outage (IPI/CPI switch standard).
- Outstanding heating efficiency for increased comfort and lower operating costs
- Ceramic glass for optimum heat transfer and a protective screen*
- Beautifully crafted high-definition ceramic fiber log set with heavy-duty grate
- Interior selections consist of black reflective porcelain or a variety of ceramic fiber liners (required)
- Mood enhancing interior illumination with six distinctive settings
- Factory installed blower with six speed settings to fine tune your heating needs
- Full-function remote control included (IPI/CPI, t'stat, flame height, blower, lighting)
- Durable textured powder coat finish
- 20 year limited warranty

*All applicable models comply with ANSI Z21.50/88 barrier requirements.

superiorfireplaces.us.com

INTERIOR

Optional liners (Black Painted Interior is standard).



Porcelain Liner Kit (Black)



Blackstone



Greystone



Blended Brown

STAINLESS SURROUNDS (OPTIONAL)



Four-Sided



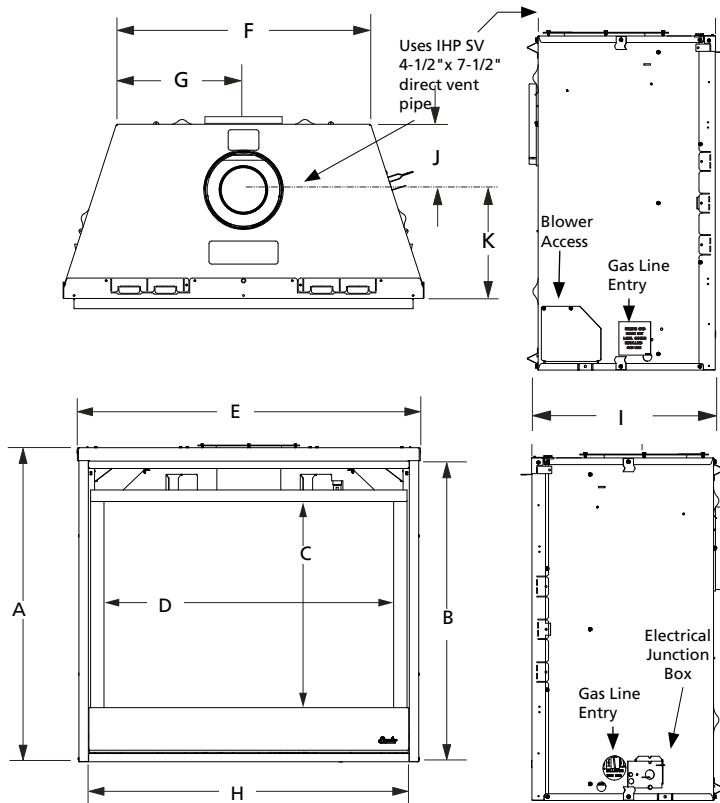
Three-Sided

REMOTE



ProFlame II Remote

APPLIANCE SPECIFICATIONS



	DRT4240	DRT4245
A	37-1/8"	37-1/8"
B	34-5/8"	34-5/8"
C*	24-1/2"	24-1/2"
D*	34-1/4"	39-1/4"
E	40-1/4"	45-1/4"
F	30"	35"
G	15"	17-1/2"
H	37-7/8"	42-7/8"
I	21"	21"
J	6-7/8"	6-7/8"

*Glass viewing area dimensions

On the Cover: DRT4245 shown with Blackstone Ceramic Fiber Liner

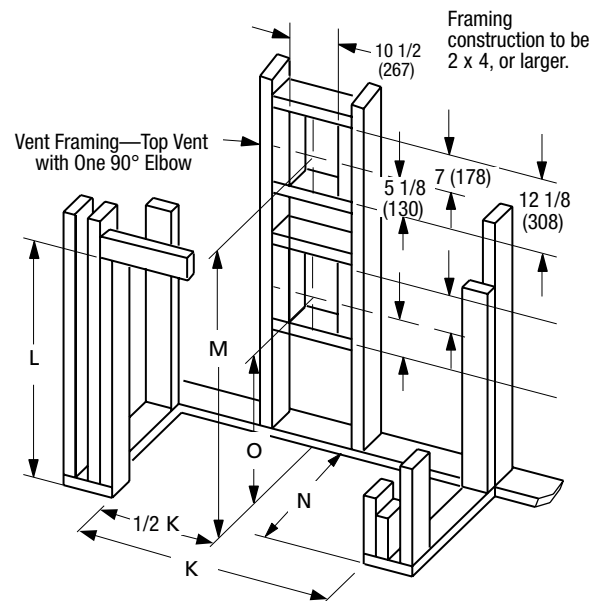
IMPORTANT NOTES:

As with any fireplace, this appliance is extremely hot during operation. Read and understand all operating instructions before using this appliance. For further information, consult your dealer.

Local conditions, such as elevation, wind, vent configuration and choice of fuel will affect overall appearance of the fire and heating performance. Performance can also vary with home design and insulation, climate, condition and type of fuel used, appliance location, burn rate, accessories chosen, chimney installation and how the appliance is operated.

Diagrams, illustrations and photographs are not to scale—consult installation instructions. Product designs, materials, dimensions, specifications, colors and prices are subject to change or discontinuance without notice.

FRAMING SPECIFICATIONS



	DRT4240	DRT4245
K	40-7/8"	45-7/8"
L	41-1/4"*	41-1/4"*
M	43-3/4"	55-3/4"
N	23"	23"
O	28-1/4"	N/A

* Includes 4" for fold-up standoffs

FIREPLACE EFFICIENCIES — Listed to ANSI Z21.88 as a gas fireplace heater

MODEL	FUEL	BTU/HR	AFUE**	P4 / ENERGUIDE*
DRT4240	NG	36,000-24,000	61.1%	62.4%
DRT4240	LP	31,000-21,000	61.6%	62.9%
DRT4245	NG	42,000-25,000	65.9%	62.7%
DRT4245	LP	41,000-22,000	61.1%	62.4%

*Intermittent ignition systems.

**Annual Fuel Utilization Efficiency (AFUE) is the recognized U.S. rating system for the total efficiency of heating products.



© 2022 Innovative Hearth Products
785819M 03/22

Visit us online
SuperiorFireplaces.us.com

