

DIRECT VENT GAS FIREPLACES

TRADITIONAL - FRONT OPEN



Things to Consider When Selecting Your Astria Direct Vent Fireplace

ASTRIA TRADITIONAL DIRECT VENT GAS FIREPLACES

Traditional Direct Vent Gas Fireplaces offer the best in beautiful log & flame presentation, the convenience of clean burning gas and the efficiency of a sealed combustion system. Direct Vent fireplaces utilize a special double wall vent system that brings outside air into a sealed fire-box for burning, and exhausts the flue gases back outside through natural convection. Couple this with heat circulation of room air and you also have an efficient heater, even in power outages. Enjoy beautiful, safe and efficient fires with the flip of a wall switch or the touch of a remote.



Astria offers a wide selection of Traditional Direct Vent Gas Fireplaces in a variety of sizes and options. Use the guide below to help you choose the fireplace that best meets your design and heating needs.

STANDARD + OPTIONS OR FULLY FEATURED DLX MODELS

- ♦ **STANDARD MODELS:** Come with painted black interiors, detailed logs and tempered glass fronts. Optional upgrade accessories include a variety of ceramic fiber brick style or reflective porcelain enamel interior liners, heat circulating blower, hand held remote controls and wall switch kits.
- ♦ **DLX MODELS:** Are fully featured and come complete with high-definition logs, interior illumination, a variety of ceramic fiber brick style or reflective porcelain enamel interior liners, ceramic glass, higher heat production and efficiency, heat circulating blower and a hand-held multi-function remote control.

OPENING & DEPTH SIZES TO FIT YOUR ROOM

- ♦ **OPENING WIDTHS:** 33", 35", 40" or 45" models allow you to choose a size that is proportional to the room and finished facing materials.
- ♦ **FIREBOX DEPTHS:** Compact 14" or Mid-size 17" deep models save floor space while Full-size 21" deep models offer a larger fireplace interior and log arrangement.
- ♦ **COMMON FRAMING:** All models of similar model size utilize the same framing width and height dimensions for the ultimate in design flexibility.

GLASS FRONTS FOR DECORATIVE OR HEATING APPLICATIONS

- ♦ **TEMPERED GLASS:** Is the standard for decorative fireplace applications. Its reflective quality keeps more heat in the fireplace and less heat radiating into the room.
- ♦ **CERAMIC GLASS:** Is transparent ceramic and can withstand higher firebox temperatures. Ceramic glass allows heat to radiate into the living space, making it the preferred choice when additional room heat is desired.

VARIETY OF CONTROLS TO CHOOSE FROM

- ♦ **MILLIVOLT CONTROLLED MODELS:** Feature continuous safety pilot operation with matchless pushbutton ignition and are remote control ready to accept a variety of optional hand-held remote and wall controls.
- ♦ **ELECTRONIC IGNITION CONTROLLED MODELS:** Fuel saving electronic intermittent (IPI) safety pilot with battery back-up or continuous (CPI) safety pilot mode for cold weather applications and are remote control ready to accept a variety of optional hand-held remote and wall controls.

FLEXIBILITY WITH MULTIPLE VENTING OPTIONS

- ♦ **REAR VENTING:** Allows for minimal venting runs for outside wall installations.
- ♦ **TOP VENT HORIZONTAL:** Go up then out for interior room and below grade installations.
- ♦ **TOP VENT VERTICAL:** For interior room installations where through the roof is the best option.

WARRANTY

- ♦ **LIMITED LIFETIME WARRANTY:** Included with all Astria models.

TABLE OF CONTENTS



Altair DLX 4-5

- 40" and 45" models
- Full-size 21" depth
- Ceramic Glass
- Electronic Ignition
- Interior Illumination



Altair 6-7

- 40" and 45" models
- Full-size 21" depth
- Tempered Glass
- Electronic Ignition



Gemini DLX 8-9

- 35", 40" and 45" models
- Mid-size 17" depth
- Ceramic Glass
- Electronic Ignition
- Interior Illumination



Gemini 10-11

- 35", 40" and 45" models
- Mid-size 17" depth
- Tempered Glass
- Millivolt or Electronic Ignition



Aries 12-13

- 35", 40" and 45" models
- Mid-size 17" depth
- Tempered Glass
- Millivolt or Electronic Ignition

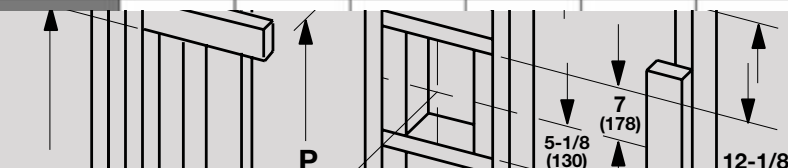


Aries 33 14

- 33" model
- Compact 14" depth
- Tempered Glass
- Electronic Ignition

	ALTAIR DLX	ALTAIR	GEMINI DLX	GEMINI	ARIES	ARIES 33
Model Sizes	40", 45"	40", 45"	35", 40", 45"	35", 40", 45"	35", 40", 45"	33"

Side-By-Side Comparisons 15



Specifications 16-19

ALTAIR DLX



Altair DLX 45 with Black Tie Stacked Liner, Artisan Facade, Stone Stop Kit, and Interior Illumination

The Altair DLX Series of direct vent gas fireplaces represents refined elegance. This lavish fireplace series comes standard with multiple upscale features ranging from impeccable high-definition logs to cascading interior lighting to ceramic glass. Off or on, the Altair DLX Series fireplaces are graced with stunning premium features that enhance any living area the entire year.

STANDARD FEATURES

- ◆ Available in 40" and 45" models
- ◆ Full-size 21" deep models offer a larger fireplace interior and log arrangement
- ◆ 40" models combo top/rear flue configuration; 45" models dedicated top flue configuration
- ◆ Electronic ignition with seamless battery backup provides continued operation in the event of a power outage (IPI/CPI switch standard).
- ◆ Outstanding heating efficiency for increased comfort and lower operating costs
- ◆ Ceramic glass for optimum heat transfer and a protective screen*
- ◆ Beautifully crafted high-definition ceramic fiber log set with heavy-duty grate
- ◆ Face selections include a Classic inside fit façade or one of several Designer overlap fit facades (required)
- ◆ Interior selections consist of black reflective porcelain or a variety of ceramic fiber liners (required)
- ◆ Mood enhancing interior illumination with six distinctive settings
- ◆ Factory installed blower with six speed settings to fine tune your heating needs
- ◆ Full-function remote control included (IPI/CPI, thermostat, flame height, blower, lighting)
- ◆ Durable textured powder coat finish
- ◆ Limited lifetime warranty

*All applicable models comply with ANSI Z21.88 barrier requirements.



Altair DLX 45 with Black Tie Stacked interior, high-definition logs and vibrant flames

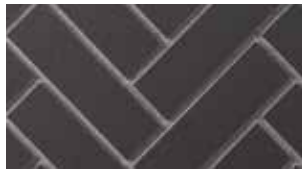
Required Options

INTERIOR (CHOOSE ONE)

Gorgeous Black Reflective Porcelain, or Ceramic Fiber liner kits that deliver the true look of masonry craftsmanship



Black Tie Stacked Ceramic Fiber Liner



Charlestown Black Herringbone Ceramic Fiber Liner



Heritage Brown Stacked Ceramic Fiber Liner



Tudor Brown Herringbone Ceramic Fiber Liner



Black Reflective Porcelain Liner

Multi-Function Touch Remote (Included)



- Touchscreen Digital Display
- Manual On-Off & Thermostatic Modes
- 3 Flame Heights Settings
- 6 Interior Light Settings
- 6 Blower Speed Settings
- Weekday/Weekend Modes
- Wall Mounted Docking Station

FACADES (CHOOSE ONE)

Select from a wide variety of unique, hand-crafted designs and colors to accentuate your Altair DLX.



CLASSIC Black



ARTISAN Charcoal/Aged Iron



REFLECTION Espresso Black or Warm Chestnut (Shown)



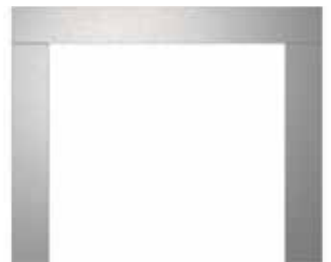
CRAFTSMAN Espresso Black (Shown) or Warm Chestnut

Nouvelle Decorative Face Surrounds (Optional)

Give your fireplace a truly modern finish with a stainless steel decorative face surround kit (Classic Façade required).



STAINLESS SURROUND Four-Sided



STAINLESS SURROUND Three-Sided

ALTAIR



Altair 40 with Heritage Brown Stacked Ceramic Fiber Liner and Warm Chestnut Reflection Façade

The Altair Series of direct vent gas fireplaces represents customizable realism. This elegant series comes standard with magnificent high-definition logs, vibrant flames, and wireless wall-mounted control. The Altair Series offers a variety of decorative facades and optional accessories that allow you to tailor your fireplace to your personal taste and transform any house into a cozy, inviting home.

STANDARD FEATURES

- ◆ Available in 40" and 45" models
- ◆ Full-size 21" deep models offer a larger fireplace interior and log arrangement
- ◆ Combination top/rear flue configuration
- ◆ Electronic ignition with seamless battery backup provides continued operation in the event of a power outage (IPI/CPI switch standard).
- ◆ Outstanding heating efficiency for increased comfort and lower operating costs
- ◆ Standard tempered glass and a protective screen*
- ◆ Beautifully crafted high-definition ceramic fiber log set with heavy-duty grate
- ◆ Face selections include a Classic inside fit façade or one of several Designer overlap fit facades (required)
- ◆ Black painted interior (optional liners available)
- ◆ Wireless wall mounted control provides variable flame settings
- ◆ Optional blower and touch remote or hand-held remote control available for all models
- ◆ Durable textured powder coat finish
- ◆ Limited lifetime warranty

*All applicable models comply with ANSI Z21.88 barrier requirements.



Altair 40 with Charlestown Black Herringbone interior, high-definition logs, and vibrant flames

Accessories & Options

INTERIOR

Black Painted (Standard), Gorgeous Black Reflective Porcelain, or Ceramic Fiber liner kits that deliver the true look of masonry craftsmanship



Black Tie Stacked Ceramic Fiber Liner



Charlestown Black Herringbone Ceramic Fiber Liner



Heritage Brown Stacked Ceramic Fiber Liner



Tudor Brown Herringbone Ceramic Fiber Liner



Black Painted Interior (Standard)



Black Reflective Porcelain Liner

Control Options



Wireless Wall-Mounted Control (Standard)



Multi-Function Touch Remote (Optional)



Hand-Held On/Off High/Low Remote Control (Optional)

FACADES (CHOOSE ONE)

Select from a wide variety of unique, hand-crafted designs and colors to accentuate your Altair DLX.



CLASSIC Black



ARTISAN Charcoal/Aged Iron



REFLECTION Espresso Black or Warm Chestnut (Shown)



CRAFTSMAN Espresso Black (Shown) or Warm Chestnut

Nouvelle Decorative Face Surrounds (Optional)

Give your fireplace a truly modern finish with a stainless steel decorative face surround kit (Classic Façade required).



STAINLESS SURROUND Four-Sided



STAINLESS SURROUND Three-Sided

GEMINI DLX



*Gemini DLX 40 with
Black Tie Herringbone Liner
and Craftsman
Warm Chestnut Facade*

The Gemini DLX Series Direct Vent Gas Fireplace adds sophisticated elegance, in a space-saving design, to any living area. A wide selection of façades and interior liner options combined with standard high definition logs, interior illumination, high heat transfer ceramic glass, fuel saving electronic ignition, heat circulating blower and a multi-function touchscreen remote make the Gemini DLX the top of its class.

STANDARD FEATURES

- ◆ Available in 35", 40" and 45" models
- ◆ Mid-size 17" depth saves installed floor space
- ◆ Combo top/rear flue configuration
- ◆ Electronic ignition with seamless battery backup provides continued operation in the event of a power outage (IPI/CPI switch standard).
- ◆ Outstanding heating efficiency for increased comfort and lower operating costs
- ◆ Ceramic glass for optimum heat transfer and a protective screen*
- ◆ Beautifully crafted high-definition ceramic fiber log set with heavy-duty grate
- ◆ Face selections include a Classic inside fit façade or one of several Designer overlap fit facades (required)
- ◆ Interior selections consist of black reflective porcelain or a variety of ceramic fiber liners (required)
- ◆ Mood-enhancing interior illumination with six distinctive settings
- ◆ Factory installed blower with six speed settings to fine tune your heating needs
- ◆ Full-function remote control included (IPI/CPI, thermostat, flame height, blower, lighting)
- ◆ Durable textured powder coat finish
- ◆ Limited lifetime warranty

*All applicable models comply with ANSI Z21.88 barrier requirements.



*Gemini DLX 35 with
Black Stacked Liner
w/Ember Strips*

Required Options

INTERIOR (CHOOSE ONE)

Gorgeous Black Reflective Porcelain, or Ceramic Fiber liner kits that deliver the true look of masonry craftsmanship



*Black Tie Stacked
Ceramic Fiber Liner w/Ember Strips*



*Black Tie Herringbone
Ceramic Fiber Liner w/Ember Strips*



*Heritage Brown Stacked
Ceramic Fiber Liner w/Ember Strips*



*Heritage Brown Herringbone
Ceramic Fiber Liner w/Ember Strips*



Black Reflective Porcelain Liner

Multi-Function Touch Remote (Included)



- Touchscreen Digital Display
- Manual On-Off & Thermostatic Modes
- 3 Flame Heights Settings
- 6 Interior Light Settings
- 6 Blower Speed Settings
- Weekday/Weekend Modes
- Wall Mounted Docking Station

FACADES (CHOOSE ONE)

Select from a wide variety of unique, hand-crafted designs and colors to accentuate your Altair DLX.



*CLASSIC
Black*



*ARTISAN
Charcoal/Aged Iron*



*REFLECTION
Espresso Black or
Warm Chestnut (Shown)*



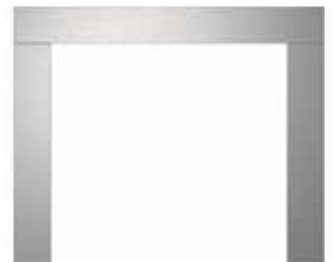
*CRAFTSMAN
Espresso Black (Shown) or
Warm Chestnut*

Nouvelle Decorative Face Surrounds (Optional)

Give your fireplace a truly modern finish with a stainless steel decorative face surround kit (Classic Façade required).



*STAINLESS SURROUND
Four-Sided*



*STAINLESS SURROUND
Three-Sided*

GEMINI



*Gemini 40 with
Black Porcelain Liner and
Reflection Warm
Chestnut Facade*

Unpretentious yet charming, the beautifully designed Gemini Series of Direct Vent Gas Fireplaces offer stylish comfort, built-in efficiency and intrinsic value. With a wide selection of façades, interior liner options, high-definition logs, vibrant flames, a variety of control options and reliable performance, the Gemini Series will transform an ordinary house into a cozy home.

STANDARD FEATURES

- ◆ Available in 35", 40" and 45" models
- ◆ Mid-size 17" depth saves installed floor space
- ◆ Combo top/rear flue configuration
- ◆ Millivolt or Electronic ignition with seamless battery backup provides continued operation in the event of a power outage (IPI/CPI switch standard).
- ◆ Outstanding heating efficiency for increased comfort and lower operating costs
- ◆ Standard tempered glass and a protective screen*
- ◆ Beautifully crafted high-definition ceramic fiber log set with heavy-duty grate
- ◆ Face selections include a Classic inside fit façade or one of several Designer overlap fit facades (required)
- ◆ Black painted interior (optional liners available)
- ◆ Wireless wall mounted control provides variable flame settings (electronic models only)
- ◆ Optional blower and touch remote or hand-held remote control available for all models
- ◆ Durable textured powder coat finish
- ◆ Limited lifetime warranty

*All applicable models comply with ANSI Z21.88 barrier requirements.



*Gemini 45 with
Heritage Brown Liner*

Accessories & Options

INTERIOR

Black Painted (Standard), Gorgeous Black Reflective Porcelain, or Ceramic Fiber liner kits that deliver the true look of masonry craftsmanship



*Black Tie Stacked
Ceramic Fiber Liner w/Ember Strips*



*Black Tie Herringbone
Ceramic Fiber Liner w/Ember Strips*



*Heritage Brown Stacked
Ceramic Fiber Liner w/Ember Strips*



*Heritage Brown Herringbone
Ceramic Fiber Liner w/Ember Strips*



Black Painted Interior (Standard)



Black Reflective Porcelain Liner

Control Options



*Wireless Wall-
Mounted Control
(Standard with Electronic
Ignition Models)*



*Multi-Function
Touch Remote
(Optional)*



*Hand-Held
On/Off High/Low
Remote Control
(Optional)*

FACADES (CHOOSE ONE)

Select from a wide variety of unique, hand-crafted designs and colors to accentuate your Altair DLX.



*CLASSIC
Black*



*ARTISAN
Charcoal/Aged Iron*



*REFLECTION
Espresso Black or
Warm Chestnut (Shown)*



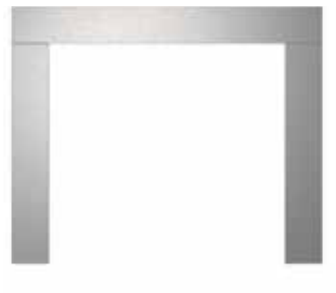
*CRAFTSMAN
Espresso Black (Shown) or
Warm Chestnut*

Nouvelle Decorative Face Surrounds (Optional)

Give your fireplace a truly modern finish with a stainless steel decorative face surround kit (Classic Façade required).



*STAINLESS SURROUND
Four-Sided*



*STAINLESS SURROUND
Three-Sided*

ARIES

*Aries 35 with
Black Painted Liner
and Classic Black Facade*



The Aries Series of traditional direct vent gas fireplaces combine beauty, efficiency and value. A wide selection of facades, detailed ceramic fiber oak logs, beautiful flames and heat-circulating design. A variety of interior liners, heat circulating blower, remote and wall controls are available as optional accessories, making the Aries Series a smart choice.

STANDARD FEATURES

- ◆ Available in 35", 40" and 45" models
- ◆ Mid-size 17" depth saves installed floor space
- ◆ Dedicated top or rear flue configuration (45" model is a combo top/rear)
- ◆ Millivolt or Electronic ignition with seamless battery backup provides continued operation in the event of a power outage (IPI/CPI switch standard).
- ◆ Outstanding heating efficiency for increased comfort and lower operating costs
- ◆ Standard tempered glass and a protective screen*
- ◆ Detailed ceramic fiber log set with grate
- ◆ Face selections include a Classic inside fit façade or one of several Designer overlap fit facades (required)
- ◆ Black painted interior (optional liners available)
- ◆ Optional blower and hand-held remote controls available for all models
- ◆ Durable textured powder coat finish
- ◆ Limited lifetime warranty

*All applicable models comply with ANSI Z21.88 barrier requirements.



*Aries 35 with
Blended Brown Liner*

Accessories & Options

INTERIOR

Black Painted (Standard), Gorgeous Black Reflective Porcelain, or Ceramic Fiber liner kits that deliver the true look of masonry craftsmanship



*Black Tie Stacked
Ceramic Fiber Liner w/Ember Strips*



*Black Tie Herringbone
Ceramic Fiber Liner w/Ember Strips*



*Heritage Brown Stacked
Ceramic Fiber Liner w/Ember Strips*



*Heritage Brown Herringbone
Ceramic Fiber Liner w/Ember Strips*



Black Painted Interior (Standard)



Black Reflective Porcelain Liner



*Blended Brown Stacked
Ceramic Fiber Liner*

Control Options



*Thermostatic
Remote
(Optional)*



*Hand-Held
On/Off Remote
(Optional)*

FACADES (CHOOSE ONE)

Select from a wide variety of unique, hand-crafted designs and colors to accentuate your Altair DLX.



*CLASSIC
Black*



*ARTISAN
Charcoal/Aged Iron*



*REFLECTION
Espresso Black or
Warm Chestnut (Shown)*



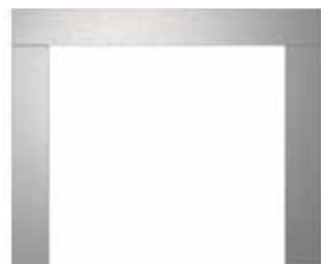
*CRAFTSMAN
Espresso Black (Shown) or
Warm Chestnut*

Nouvelle Decorative Face Surrounds (Optional)

Give your fireplace a truly modern finish with a stainless steel decorative face surround kit (Classic Façade required).



*STAINLESS SURROUND
Four-Sided*



*STAINLESS SURROUND
Three-Sided*

ARIES 33



ARIES 33 with Black Painted Interior

The Aries 33 compact traditional direct vent gas fireplace combines beauty, efficiency and value with a clean faced heat-circulating design, beautiful flames and logs. A heat circulating blower, remote and wall controls are available as optional accessories, making the Aries 33 the perfect choice for small spaces.

STANDARD FEATURES

- ◆ Available in a 33" model
- ◆ Compact 14" depth is perfect for small spaces
- ◆ Dedicated top flue or dedicated rear flue configuration
- ◆ Electronic ignition with seamless battery backup provides continued operation in the event of a power outage (IPI/CPI switch standard)
- ◆ Outstanding heating efficiency for increased comfort and lower operating costs
- ◆ Standard tempered glass and a protective screen*
- ◆ Detailed ceramic fiber log set with grate
- ◆ Clean faced heat-circulating design
- ◆ Black painted interior
- ◆ Optional blower and hand-held remote controls available for all models
- ◆ Durable textured powder coat finish
- ◆ Limited lifetime warranty

*All applicable models comply with ANSI Z21.88 barrier requirements.

Accessories & Options

INTERIOR

Black Painted interior (Standard)



Black Painted Interior (Standard)

Control Options



Thermostatic Remote (Optional)

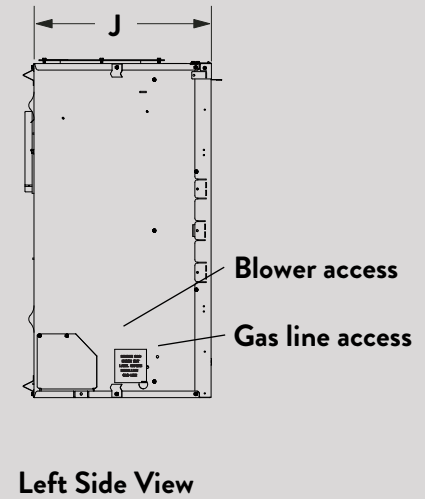
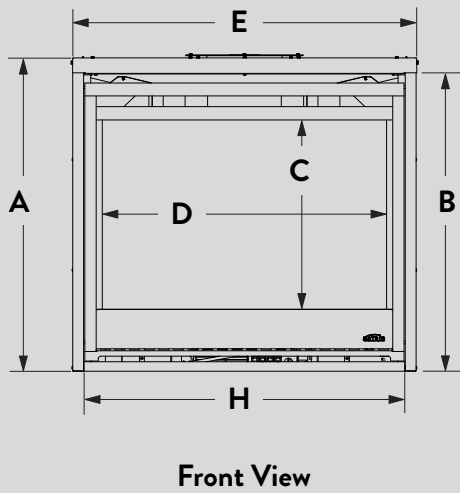
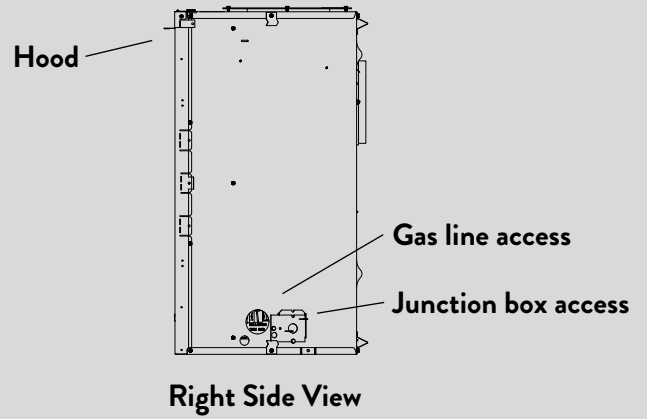
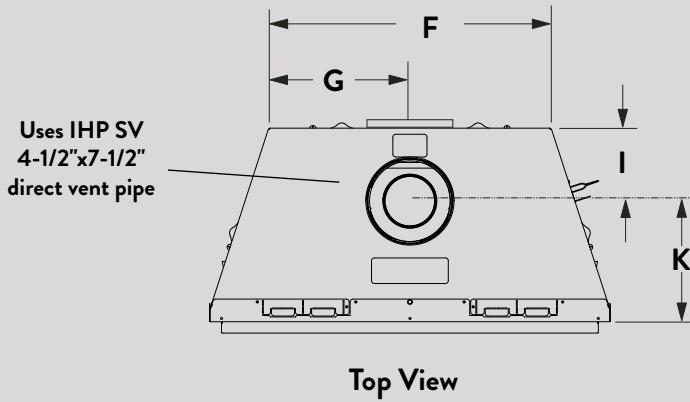


Hand-Held On/Off Remote (Optional)

SIDE-BY-SIDE COMPARISONS

	ALTAIR DLX	ALTAIR	GEMINI DLX	GEMINI	ARIES	ARIES 33
Model Sizes	40", 45"	40", 45"	35", 40", 45"	35", 40", 45"	35", 40", 45"	33"
Model Depth	21"	21"	17"	17"	17"	14"
Venting Configurations	40" Top/Rear 45" Top Only	Top/Rear	Top/Rear	Top/Rear	Top or Rear	Top or Rear
Glass Front	Ceramic	Tempered	Ceramic	Tempered	Tempered	Tempered
Protective Barrier	Included	Included	Included	Included	Included	Included
Controls	Electronic	Electronic	Electronic	Millivolt or Electronic	Millivolt or Electronic	Electronic
Interior Illumination	Included	N/A	Included	N/A	N/A	N/A
Blower	Included	Optional	Included	Optional	Optional	Optional
Multi-Function Touch Remote Control	Included	Optional	Included	Optional	N/A	N/A
Wireless Wall Mounted Control	N/A	Included	N/A	Included Electronic	N/A	N/A
Hand Held Remote Control	N/A	Optional	N/A	Optional	Optional	Optional
Decorative Façade	Required (Choose 1)	Required (Choose 1)	Required (Choose 1)	Required (Choose 1)	Required (Choose 1)	N/A
Cer. Fiber & Black Refl. Interior Liners	Required (Choose 1)	Optional	Required (Choose 1)	Optional	Optional	N/A
United States ANSI Listing	Z21.88 Heater Rated	Z21.88 Heater Rated	Z21.88 Heater Rated	Z21.88 Heater Rated	Z21.88 Heater Rated	Z21.88 Heater Rated
United States AFUE Rated	Yes	Yes	Yes	Yes	Yes	Yes
Canada CSA Std.	2.33 Heater Rated	2.33 Heater Rated	2.33 Heater Rated	2.33 Heater Rated	2.33 Heater Rated	2.33 Heater Rated
Canada EnerGuide Rated	Yes	Yes	Yes	Yes	Yes	Yes
Secure Vent Size & Type	4.5 x 7.5 Rigid or Flex	4.5 x 7.5 Rigid or Flex	4.5 x 7.5 Rigid or Flex	4.5 x 7.5 Rigid or Flex	4.5 x 7.5 Rigid or Flex	4.5 x 7.5 Rigid or Flex
Warranty	Limited Lifetime	Limited Lifetime	Limited Lifetime	Limited Lifetime	Limited Lifetime	Limited Lifetime

APPLIANCE SPECIFICATIONS : ALTAIR DLX / ALTAIR



	ALTAIR DLX ALTAIR 40" MODELS	ALTAIR DLX ALTAIR 45" MODELS
A	37-1/8"	37-1/8"
B	35-1/2"	35-1/2"
C *	24-1/2"	24-1/2"
D *	34-1/4"	39-1/4"
E	40-1/4"	45-1/4"
F	30"	35"
G	15"	17-1/2"
H	37-7/8"	42-7/8"
I	6-7/8"	6-7/8"
J	21"	21"
K	12-3/8"	12-3/8"

*Glass viewing area dimensions

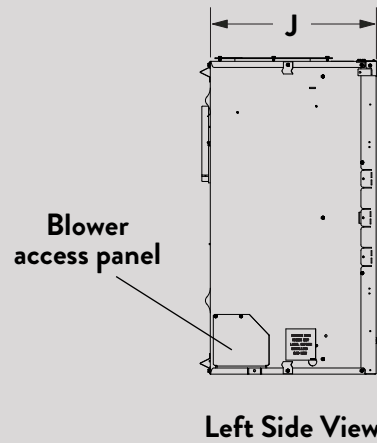
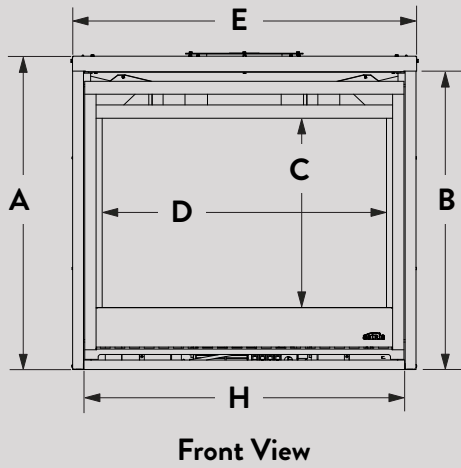
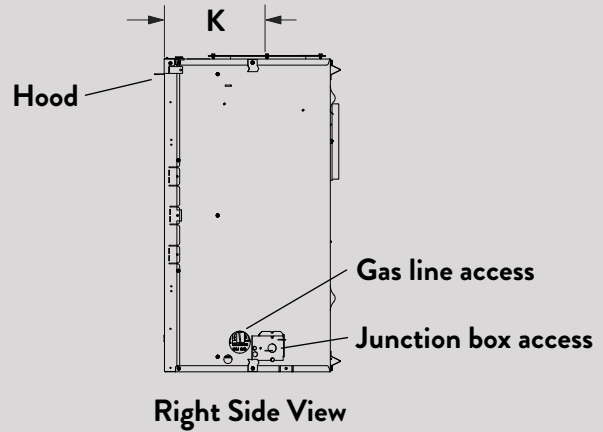
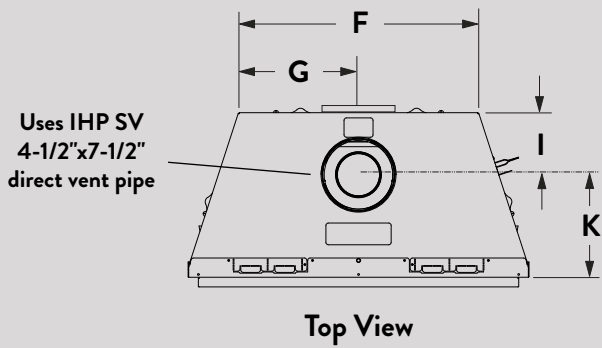
FIREPLACE EFFICIENCIES – Listed to ANSI Z21.88 as a gas fireplace heater.

MODEL	FUEL	BTU/HR	AFUE**	P4 / ENERGUIDE*
ALTAIR DLX 40	NG	36,000-24,000	59.4%	65.0%
ALTAIR DLX 40	LP	31,000-21,000	60.8%	62.4%
ALTAIR DLX 45	NG	42,000-25,000	63.2%	65.0%
ALTAIR DLX 45	LP	41,000-22,000	58.7%	62.5%
ALTAIR 40	NG	28,000-20,000	60.8%	62.9%
ALTAIR 40	LP	25,000-18,000	63.7%	62.7%
ALTAIR 45	NG	31,000-21,000	61.8%	62.4%
ALTAIR 45	LP	31,000-20,000	59.6%	65.0%

*Intermittent ignition systems.

**Annual Fuel Utilization Efficiency (AFUE) is the recognized U.S. rating system for the total efficiency of heating products.

APPLIANCE SPECIFICATIONS : GEMINI DLX / GEMINI / ARIES



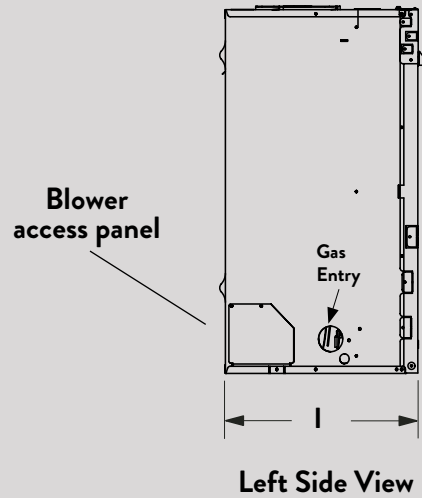
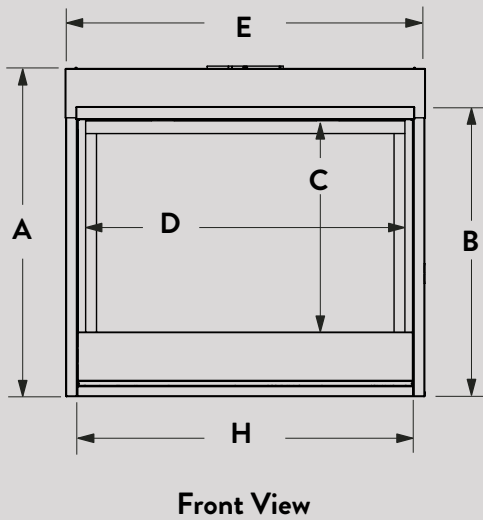
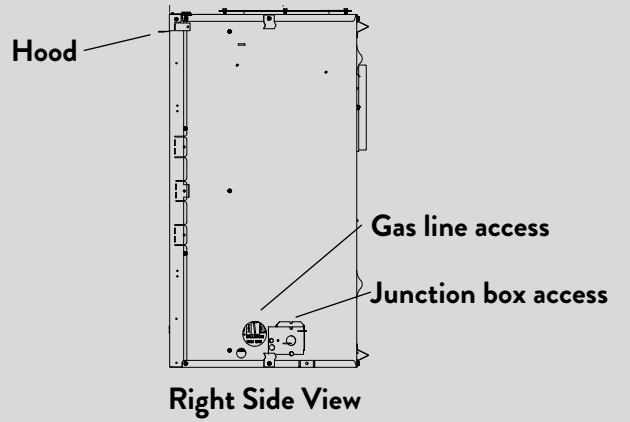
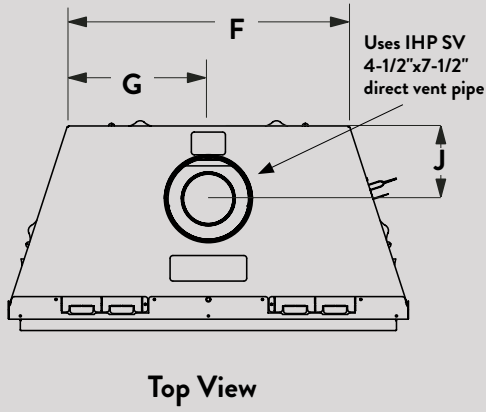
	GEMINI DLX GEMINI ARIES 35" MODELS	GEMINI DLX GEMINI ARIES 40" MODELS	GEMINI DLX GEMINI ARIES 45" MODELS
A	32-1/8"	37-1/8"	37-1/8"
B	30-1/2"	35-1/2"	35-1/2"
C	19-1/2"	24-1/2"	24-1/2"
D	29-1/4"	34-1/4"	39-1/4"
E	35-1/4"	40-1/4"	45-1/4"
F	25"	30"	35"
G	12-1/2"	15"	17-1/2"
H	32-7/8"	37-7/8"	42-7/8"
I	6-7/8"	6-7/8"	6-7/8"
J	17"	17"	17"
K	10-1/8"	10-1/8"	10-1/8"

FIREPLACE EFFICIENCIES – Listed to ANSI Z21.88 as a gas fireplace heater.				
MODEL	FUEL	BTU/HR	AFUE**	P4 / ENERGUIDE*
GEMINI DLX 35	NG	26,000-15,000	71.0%	67.0%
GEMINI DLX 35	LP	23,000-17,000	66.0%	66.0%
GEMINI DLX 40	NG	32,000-17,000	72.0%	63.0%
GEMINI DLX 40	LP	26,000-19,000	69.0%	62.5%
GEMINI DLX 45	NG	35,000-23,000	70.0%	62.4%
GEMINI DLX 45	LP	28,000-20,000	67.0%	57.0%
GEMINI 35	NG	20,000-14,000	68.7%	63.2%
GEMINI 35	LP	17,000-11,000	68.3%	64.0%
GEMINI 40	NG	24,000-18,000	70.0%	64.9%
GEMINI 40	LP	24,000-18,000	72.2%	63.3%
GEMINI 45	NG	28,000-20,000	70.8%	63.6%
GEMINI 45	LP	27,000-20,000	74.4%	62.6%
ARIES 35	NG	18,000-14,500	65.4%	63.1%
ARIES 35	LP	16,000-13,000	64.7%	63.8%
ARIES 40	NG	21,000-16,000	63.2%	64.2%
ARIES 40	LP	21,000-16,000	64.3%	64.5%
ARIES 45	NG	23,000-18,000	64.1%	63.9%
ARIES 45	LP	21,000-16,000	64.3%	64.1%

*Intermittent ignition systems.

**Annual Fuel Utilization Efficiency (AFUE) is the recognized U.S. rating system for the total efficiency of heating products.

APPLIANCE SPECIFICATIONS : ARIES 33



ARIES 33" MODEL

A	30-1/8"
B	26-1/4"
C	18-5/16"
D	30-1/2"
E	33-5/8"
F	21-7/8"
G	10-15/16"
H	31"
I	14"
J	5-3/4"

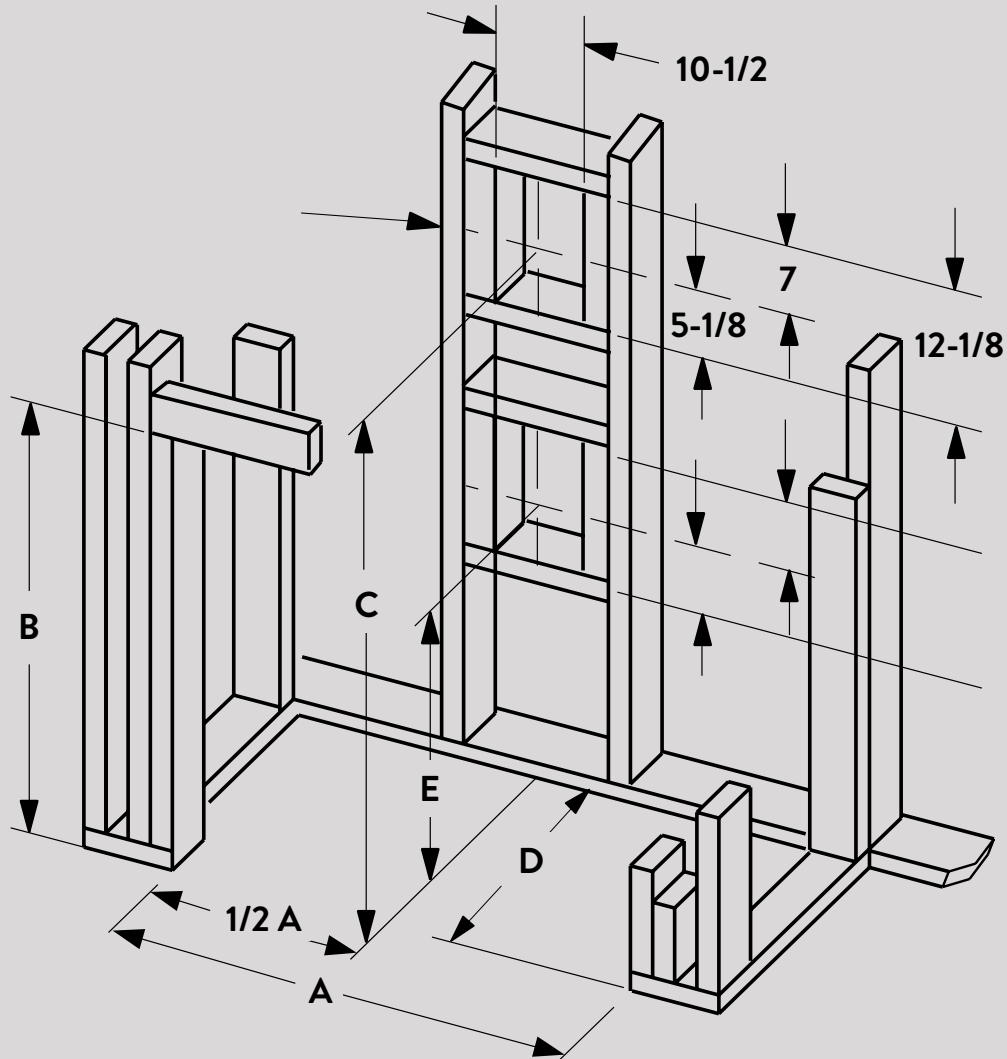
ARIES 33 EFFICIENCIES – Listed to ANSI Z21.88 as a gas fireplace heater.

MODEL	FUEL	BTU/HR	AFUE**	P4/ENERGUIDE*
ARIES 33	NG	12,000	64.0%	64.8%
ARIES 33	LP	10,000	64.0%	64.8%

*Intermittent ignition systems.

**Annual Fuel Utilization Efficiency (AFUE) is the recognized U.S. rating system for the total efficiency of heating products.

FLAT WALL FRAMING SPECIFICATIONS



	ALTAIR DLX ALTAIR 40" MODELS	ALTAIR DLX ALTAIR 45" MODELS	GEMINI DLX GEMINI ARIES 35" MODELS	GEMINI DLX GEMINI ARIES 40" MODELS	GEMINI DLX GEMINI ARIES 45" MODELS	ARIES 33" MODEL
A	40-7/8"	45-7/8"	35-7/8"	40-7/8"	45-7/8"	33-3/4"
B	41-1/4"*	41-1/4"*	36-1/4"*	41-1/4"*	41-1/4"*	34-1/4"*
C	43-3/4"	55-3/4"	38-3/4"	43-3/4"	43-3/4"	36-7/8"
D	23"	23"	18-1/2"	18-1/2"	18-1/2"	14-1/2"
E	28-1/4"	N/A	23-3/8"	28-1/4"	28-1/4"	19-5/8"

* Includes 4" for fold-up standoffs

IMPORTANT NOTES:

As with any fireplace, this appliance is extremely hot during operation. Read and understand all operating instructions before using this appliance. For further information, consult your dealer.

Local conditions, such as elevation, wind, vent configuration and choice of fuel will affect overall appearance of the fire and heating performance. Performance can also vary with home design and insulation, climate, condition and type of fuel used, appliance location, burn rate, accessories chosen, chimney installation and how the appliance is operated.

Diagrams, illustrations and photographs are not to scale—consult installation instructions. Product designs, materials, dimensions, specifications, colors and prices are subject to change or discontinuance without notice.

astria
FIREPLACES®

© 2020 Innovative Hearth Products
785733M 05/20

Visit us online
Astria.us.com

