

Superior
FIREPLACES®
Our name is our promise.



These universal heat-circulating vent-free fireboxes with 24" tall hooded clean-faced openings combine performance, versatility and value to add the finishing touch and ambiance to any home.

FEATURES

- 🔥 Available in 32", 36", and 42" models w/ refractory liners and floor
- 🔥 Available in 32", 36", and 42" models w/ fiber liners and black metal floor
- 🔥 All models are heat-circulating with a clean face
- 🔥 Includes heat deflection hood
- 🔥 Durable textured powder coat finish
- 🔥 Includes mesh fire screens
- 🔥 Select from a variety of compatible vent-free log sets and controls (sold separately)
- 🔥 Optional precision-cut decorative twin-pane screen doors in a textured iron finish
- 🔥 Optional blower kits available for all models
- 🔥 Optional outside air kit
- 🔥 20-year limited warranty

Compatible with any listed ANSI Z21.11.2 vent-free log set.
Choose a Superior vent-free log set for best results.

INTERIOR OPTIONS



White Stacked Refractory Liner



Back Bay Brown Fiber Liner

COMPATIBLE VF GAS LOG SETS



Crescent Hill



Crescent Hill HD



Golden Oak



Boulder Mountain

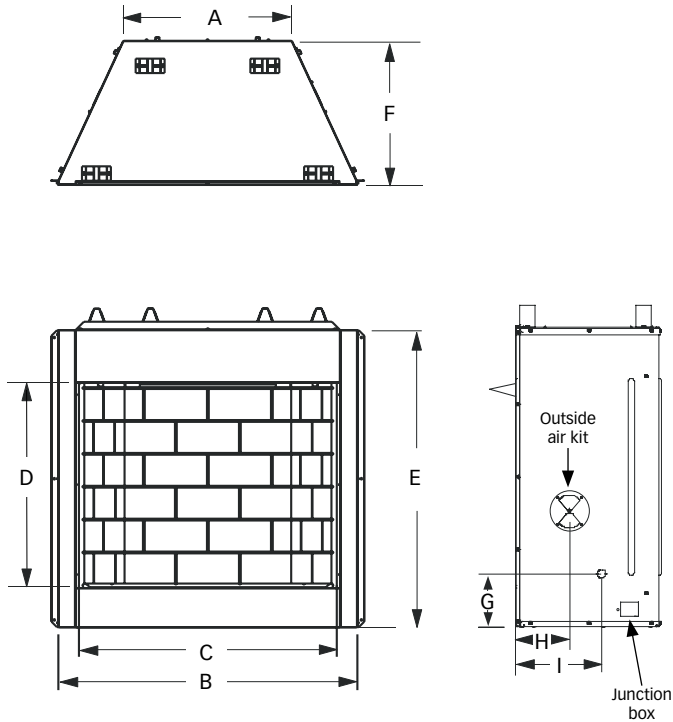


Rugged Stack



Wild Timber

APPLIANCE SPECIFICATIONS



OPTIONAL ACCESSORIES



- Decorative twin-pane screen door in a textured iron finish
- Single and variable speed blower kits
- Outside air kits

FRAMING SPECIFICATIONS

	VRT3132	VRT3136	VRT3142
A	38-1/4"	42-1/4"	48-1/4"
B	40-1/4"	40-1/4"	40-1/4"
C	20-1/2"	20-1/2"	20-1/2"

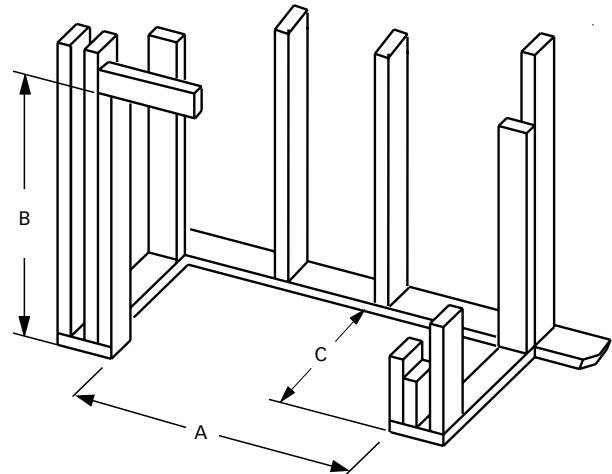
APPLIANCE SPECIFICATIONS (continued)

	VRT3132	VRT3136	VRT3142
A	19-1/2"	23-1/2"	29-1/2"
B	37-3/4"	41-3/4"	47-3/4"
C	33"	36"	42"
D	24"	24"	24"
E	37-1/4"	37-1/4"	37-1/4"
F	20"	20"	20"
G	7-3/8"	7-3/8"	7-3/8"
H	7-1/2"	7-1/2"	7-1/2"
I	12"	12"	12"

INTERIOR FIREBOX DIMENSIONS*

	VRT3132	VRT3136	VRT3142
FRONT WIDTH	31"	35"	41"
REAR WIDTH	19-1/4"	23-1/4"	29-1/4"
DEPTH	17-3/8"	17-3/8"	17-3/8"
HEIGHT	24"	24"	24"

* To assist with compatible log size selection



On the Cover: VRT3136 shown with Back Bay Brown Ceramic Fiber Liners and Rugged Stack Gas Log Set (sold separately).

IMPORTANT NOTES:

As with any fireplace, this appliance is extremely hot during operation. Read and understand all operating instructions before using this appliance. For further information, consult your dealer.

Local conditions, such as elevation, wind, vent configuration and choice of fuel will affect overall appearance of the fire and heating performance. Performance can also vary with home design and insulation, climate, condition and type of fuel used, appliance location, burn rate, accessories chosen, chimney installation and how the appliance is operated.

Diagrams, illustrations and photographs are not to scale—consult installation instructions. Product designs, materials, dimensions, specifications, colors and prices are subject to change or discontinuance without notice.



© 2023 Innovative Hearth Products
785695M 04/23

Visit us online
SuperiorFireplaces.us.com



Report #F14-168