

Superior
FIREPLACES®
Our name is our promise.



A stunning flush hearth smooth-face design combines with exceptional performance to complement any décor. The expansive ceramic glass viewing area with dramatic yellow flames makes the DRT63ST the perfect fit for your home.



FEATURED DRT63ST shown with Black Reflective porcelain liners, aged oak log set, and light tinted outdoor kit

EXCLUSIVE FEATURES

- 🔥 Available in a 40" See Through model. Configurable as indoor/indoor or indoor/outdoor applications.
- 🔥 Gas controls are conveniently hidden to the side of the fireplace opening for easy installation and finishing
- 🔥 Electronic ignition with battery backup to provide continued operation in the event of a power outage
- 🔥 Six flame settings with up to a 33% turn-down for precise heat control
- 🔥 Smooth-face design features ceramic glass for optimum heat transfer and a protective screen*
- 🔥 Beautifully crafted aged oak high density fiber log set with heavy duty grate
- 🔥 Interior liner selections consists of two-piece black reflective porcelain or ceramic fiber
- 🔥 Full function remote control (T-stat, flame, IPI/CPI)
- 🔥 Available in dedicated power-vent models (Natural Gas only)
- 🔥 Optional outdoor window kit, tested and listed to ASTM commercial window standard for air infiltration, water resistance, structural integrity and thermal resistance (U-Value/CRF)
- 🔥 20 year Limited warranty

*All applicable models comply with ANSI Z21.50/88 barrier requirements.



FEATURED Aged Oak high density fiber log set with heavy duty grate

INTERIOR

(Required)

Choose from Black Reflective Porcelain or different ceramic fiber liners to complement your décor.



Black Reflective Porcelain



Buff Herringbone



Buff Rustic

OUTDOOR KIT OPTIONS

(One required for indoor/outdoor application)



Light Tinted



Dark Tinted

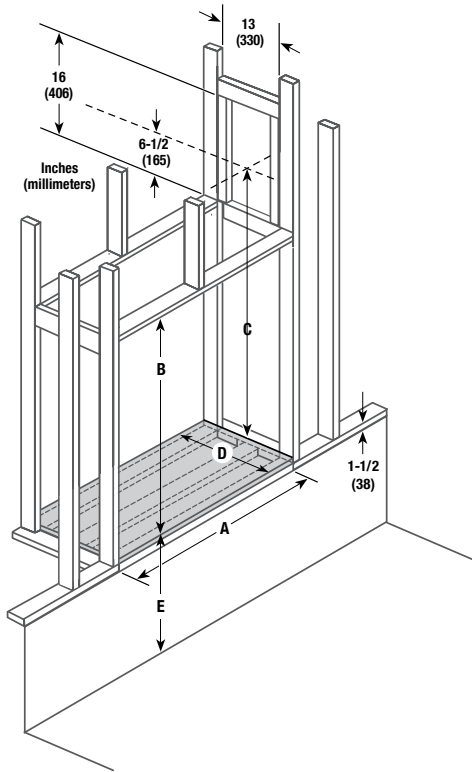
TOTAL COMFORT CONTROL REMOTE (INCLUDED)

All DRT63ST models come complete with a multi-function remote that gives you convenient control of all the built-in features.

- Manual On-Off & Thermostatic Modes
- 6 Flame Heights Settings
- Weekday/Weekend Modes



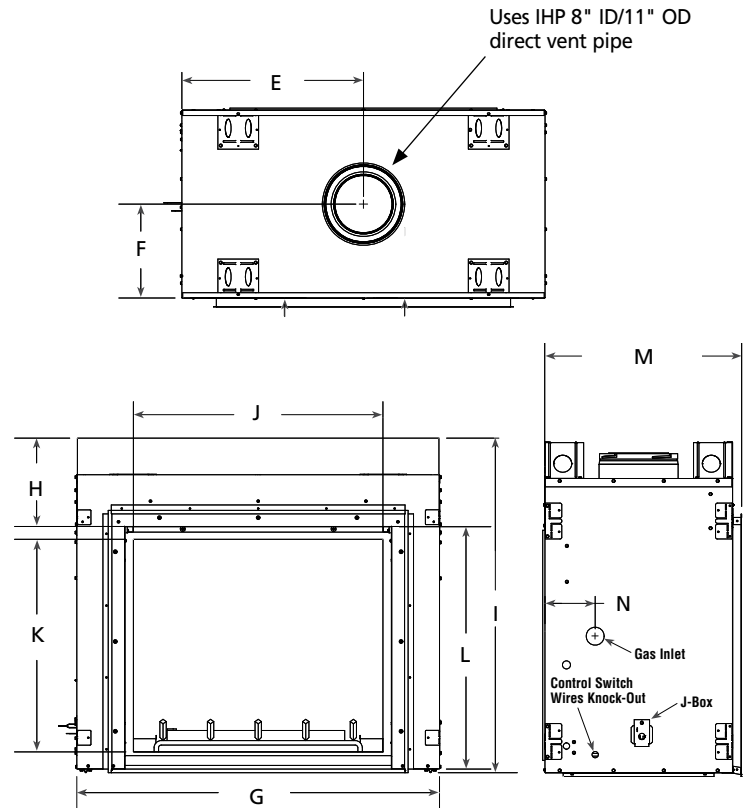
FLAT WALL FRAMING SPECIFICATIONS



DRT63ST

A	52-1/16"
B	47-5/16"
C	75-1/2"
D	26-5/16"
E	6" (Pedestal for outdoor applications only)

APPLIANCE SPECIFICATIONS



DRT63ST

E	25-9/32"
F	13-3/32"
G	50-1/2"
H	12-5/16"
I	46-19/32"
J	34-3/4"
K	29-19/32"
L	33-3/4"
M	27-7/16"
N	7"

On the Cover: DRT63ST shown with Black Reflective porcelain liners and aged oak log set

IMPORTANT NOTES:

As with any fireplace, this appliance is extremely hot during operation. Read and understand all operating instructions before using this appliance. For further information, consult your dealer.

Local conditions, such as elevation, wind, vent configuration and choice of fuel will affect overall appearance of the fire and heating performance. Performance can also vary with home design and insulation, climate, condition and type of fuel used, appliance location, burn rate, accessories chosen, chimney installation and how the appliance is operated.

Diagrams, illustrations and photographs are not to scale—consult installation instructions. Product designs, materials, dimensions, specifications, colors and prices are subject to change or discontinuance without notice.

FIREPLACE EFFICIENCIES — Listed to ANSI Z21.88 as a gas fireplace heater.

MODEL	FUEL	BTU/HR	AFUE**	ENERGUIDE*
DRT63ST	NG	57,000-37,000	60.9%	59.9%
DRT63ST	LP	50,000-40,000	59.8%	55.1%
DRT63STTYN	NG	57,000-37,000	65.1%	61.6%

*Intermittent ignition systems.

**Annual Fuel Utilization Efficiency (AFUE) is the recognized U.S. rating system for the total efficiency of heating products.



© 2021 Innovative Hearth Products

785630M 03/21

Visit us online
SuperiorFireplaces.us.com

