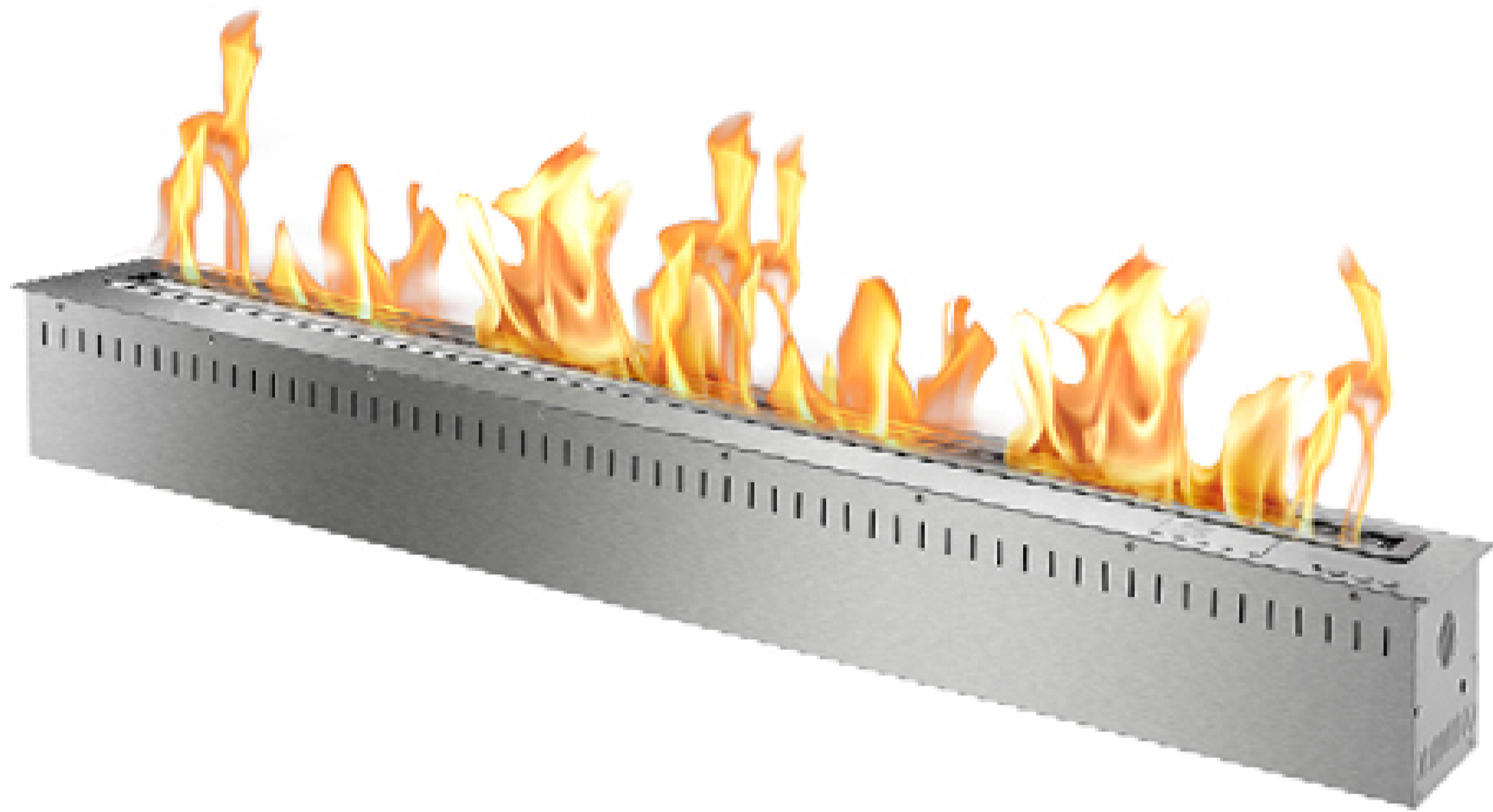


# Smart Burner Collection

## 48" RC Smart Burner



**Black**



### Included Accessories



**Lighting Rod**



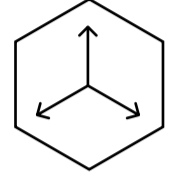
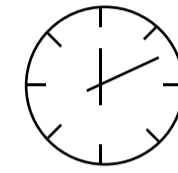
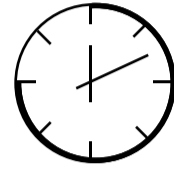
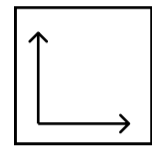
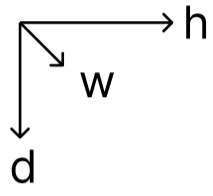
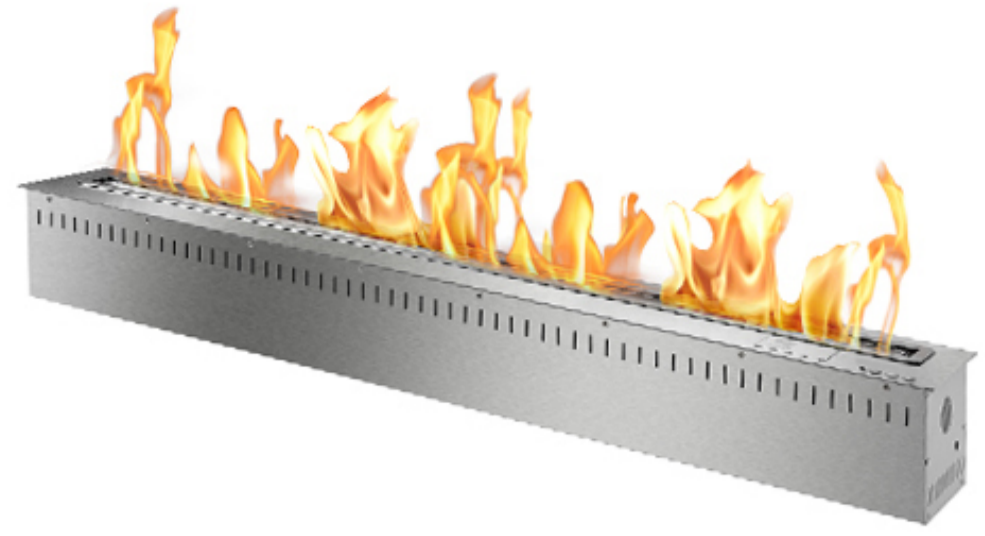
**Lighter**



**Funnel**

# Smart Burner Collection

## 48" RC Smart Burner



Dimensions H x W x D mm/in	Fuel Capacity	Heats on Average (indoors)	Fuel Consumption	Thermal Output Net (MAX)	Approx. Burn Time	Minimum Room Size (per burner)
168 x 1220 x 193 6.6 x 48 x 7.6	15L	Over 98m <sup>2</sup> [1050 ft <sup>2</sup> ]	0.77L per hour	13,600 BTU - 36,400 BTU (10.7 kW.h)	20 hours	250 sq. ft.

### Awards

2010 Winner Outdoor Hearth Products  
Vesta Awards

### Application

Indoor & Outdoor

### Burner Colour

● Stainless Steel ● Black

### Materials

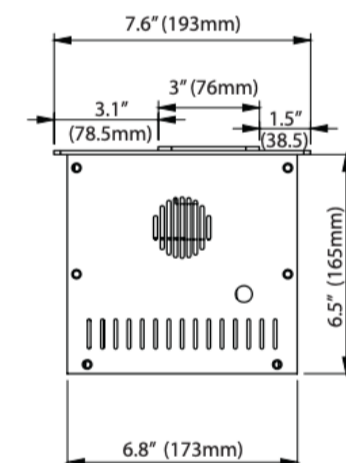
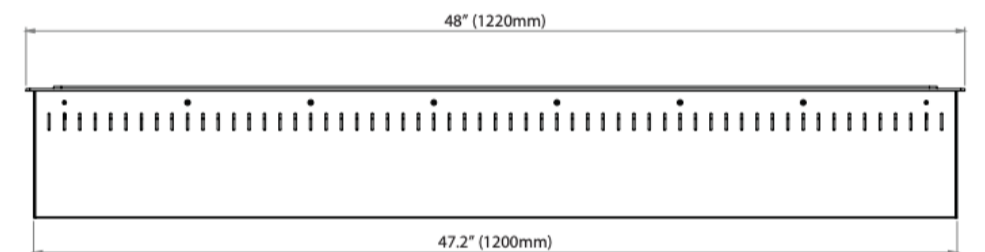
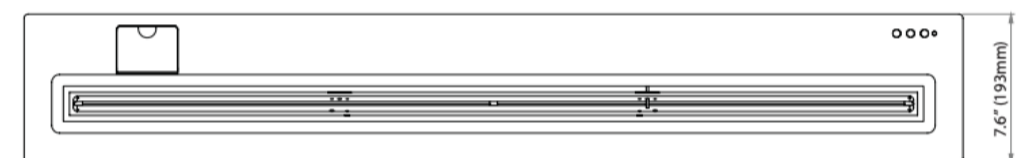
304 Stainless Steel Construction  
Insulated Bottom Tray

### Remote Info

- 6 Adjustable Heat Settings
- Safety Sensors
- WiFi Control Smartphone App
- Automatic Fuel Refill System

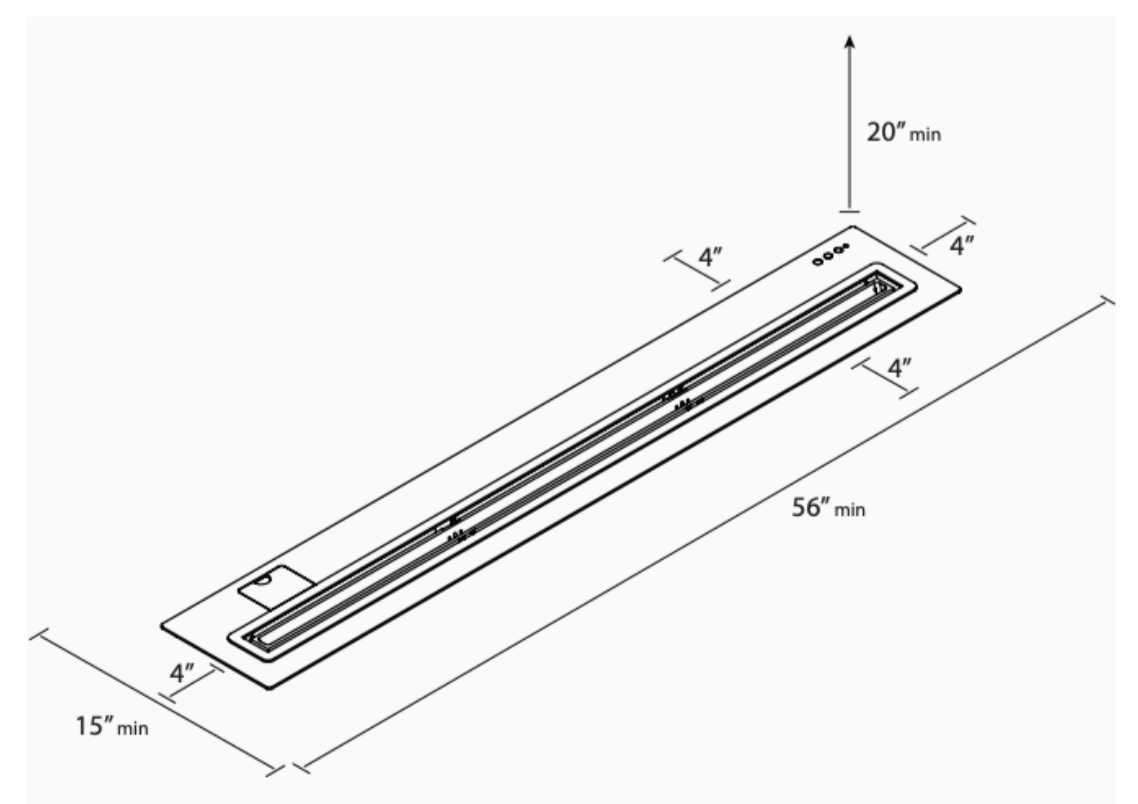
### Fuel Type

Bio Ethanol Fuel



#### Inserting within a firebox setting:

The Bio Flame 48" RC BURNER can only be fitted into a non-combustible firebox that has minimum clearances of 56"W x 20"H x 15"D



Global Compliance  
All burners are UL Listed in accordance with ANSI/UL1370 in the USA and comply with the ACCC Safety Mandate for Australia.



Lifetime Warranty

FOR MORE INFORMATION PLEASE REFERENCE THE CLEARANCE & INSTALLATION MANUAL

\*Dimensions may vary by 2% (plus or minus) due to material attributes. Template not provided. The Bio Flame recommends using the actual fireplace or burner model when making final cut out

