



Installation and Operation Instructions

Omega DLX Series Electronic Linear Vent-Free Gas Fireplaces

P/N 901221-00 REV. A 01/2023



Models

OmegaDLX48ZEN

OmegaDLX48ZEP

INSTALLER: Leave this manual with the appliance.

CONSUMER: Retain this manual for future reference.

This appliance may be installed in an aftermarket* permanently located, manufactured (mobile) home, where not prohibited by local codes. This appliance is only for use with the type of gas indicated on the rating plate. This appliance is not convertible for use with other gases.

** Aftermarket: Completion of sale, not purpose of resale, from the manufacturer.*

This is an unvented gas-fired heater. It uses air (oxygen) from the room in which it is installed. Provisions for adequate combustion and ventilation air must be provided. Refer to Air for Combustion and Ventilation section on *Page 7* of this manual.

⚠ WARNING: If the information in this manual is not followed exactly, a fire or explosion may result causing property damage, personal injury or loss of life.

- Do not store or use gasoline or other flammable vapors and liquids in the vicinity of this or any other appliance.
- **WHAT TO DO IF YOU SMELL GAS**
 - Do not try to light any appliance.
 - Do not touch any electrical switch; do not use any phone in your building.
 - Immediately call your gas supplier from a neighbor's phone. Follow the gas supplier's instructions.
 - If you cannot reach your gas supplier, call the fire department.
- Installation and service must be performed by a qualified installer, service agency or the gas supplier.

SAFETY

⚠ WARNING: FIRE, EXPLOSION, AND ASPHYXIATION HAZARD

Improper adjustment, alteration, service, maintenance, or installation of this heater or its controls can cause death or serious injury.

Read and follow instructions and precautions in User's Information Manual provided with this heater.

⚠ These appliances comply with National Safety Standards and are listed by PFS TECO to ANSI Z21.11.2 as unvented Gas-fired room heaters.

⚠ WARNING: Vent-free products are prohibited for bedroom and bathroom installation in the Commonwealth of Massachusetts.

⚠ WARNING: This product can expose you to chemicals including Carbon Black, which is known to the State of California to cause cancer, and Carbon Monoxide, which is known to the State of California to cause birth defects or other reproductive harm. For more information go to www.P65Warnings.ca.gov

Any safety screen, guard, or barrier removed for servicing an appliance must be replaced prior to operating the heater. The firescreen or guard designed for this unvented appliance must be installed prior to operation.

⚠ WARNING: Any change to this heater or its controls can be dangerous.

⚠ WARNING: Do not use a blower insert, heat exchanger insert or other accessory not approved for use with this heater.

⚠ WARNING: Do not allow fans to blow directly into the fireplace. Avoid any drafts that alter burner flame patterns. Ceiling fans can create drafts that alter burner flame patterns. Altered burner patterns can cause soot-ing.

Children and adults should be alerted to the hazard of high surface temperature and should stay away to avoid burns or clothing ignition. Heater will remain hot for a time after shutdown. Allow surface to cool before touching.

IMPORTANT: Read this owner's manual carefully and completely before trying to assemble, operate or service this heater. Improper use of this heater can cause serious injury or death from burns, fire, explosion, electrical shock and carbon monoxide poisoning.

⚠ DANGER: Carbon monoxide poisoning may lead to death!

Carbon Monoxide Poisoning: Early signs of carbon monoxide poisoning resemble the flu, with headaches, dizziness or nausea. If you have these signs, the heater may not be working properly. Get fresh air at once! Have heater serviced. Some people are more affected by carbon monoxide than others. These include pregnant women, people with heart or lung disease or anemia, those under the influence of alcohol and those at high altitudes.

Natural and Propane/LP Gas: Natural and propane/LP gases are odorless. An odor-making agent is added to the gas. The odor helps you detect a gas leak. However, the odor added to the gas can fade. Gas may be present even though no odor exists.

Make certain you read and understand all warnings. Keep this manual for reference. It is your guide to safe and proper operation of this heater.

Due to high temperatures, the appliance should be located out of traffic and away from furniture and draperies.

Do not place clothing or other flammable material on or near the appliance. Never place any objects on the heater.

⚠ WARNING: Do not place log scraps or volcanic stone on burner.

Fireplace front and screen become very hot when running fireplace.

⚠ WARNING: Young children should be carefully supervised when they are in the same room with the appliance. When using the hand-held remote accessory, keep selector switch in the OFF position to prevent children from turning on burners with remote.

You must operate appliance with the fireplace screen in place before running heater.

SAFETY *Continued*

Keep the appliance area clear and free from combustible materials, gasoline and other flammable vapors and liquids.

Solid-fuels shall not be burned in a fireplace in which an unvented room heater is installed.

This appliance must be mounted on a fully supported base extending the full width and depth of the unit. The fireplace may be located on or near conventional construction materials. However, if installed on combustible materials, such as carpeting, vinyl tile or other combustible material other than wood flooring, the appliance shall be installed on a metal or wood panel extending the full width and depth of the appliance.

Installation and repair should be done by a qualified service person. The appliance should be inspected before use and at least annually by a professional service person. More frequent cleaning may be required due to excessive lint from carpeting, bedding material, etc. It is imperative that control compartments, burners, and circulating air passageways of the appliance be kept clean.



Omega DLX Series Fireplace

THANK YOU FOR YOUR PURCHASE. WE APPRECIATE YOUR BUSINESS!

Please carefully read and follow all instructions in this manual. Pay special attention to all warnings and safety information. Following these safety, care, and operation instructions will help ensure many years of dependable and enjoyable service from your fireplace.

Please read and understand these instructions before installing, operating, or servicing this product.

TABLE OF CONTENTS

General Information

Safety and Your Fireplace.....2
 Important Safety Information.....5
 Local Codes5
 Unpacking.....5
 Product Features.....5
 Appliance Installation, Service, and Maintenance Notices.....6
 Air for Combustion and Ventilation7
 Appliance Operation Notices10
 Warranty Information.....10
 Important Safety and Warning Information.....10
 Packaging12
 Introduction12
 Codes and Standards12
 BTU Input.....12
 Gas Pressure.....12
 Orifice Sizes - Sea Level to High Altitude13
 Requirements for the Commonwealth of Massachusetts.....13
 Manufactured Home Requirements13
 Location14
 Minimum Clearances to Combustibles.....14
 Hearth Extension.....14
 Wall Finishes / Surrounds / Mantels.....14
 Prepare the Fireplace Top Spacers16

Installation

Installation Preparation15
 Installation Sequence15
 Construct the Fireplace Framing15
 Complete the Field Wiring20
 Connect the Gas Line22
 Verify Proper Fireplace Operation.....23
 Initialize the Remote Control System for the First Time23
 Install the Glass Media24
 Install Interior Options24
 Installation / Re-installation of the required screen barrier
 assembly.....25

Operation

Operation26
 Accessing control compartment26
 Install the Glass Media28
 Cleaning and Maintenance31
 Maintenance Schedule32
 Lighting Instructions.....33
 Troubleshooting34
 Accessory Components36
 Replacement Parts.....37
 Warranty41



**NATIONAL
 FIREPLACE
 INSTITUTE**
NFI
CERTIFIED
 www.nficertified.org

We recommend that our gas hearth products be installed and serviced by professionals who are certified in the U.S. by the National Fireplace Institute® (NFI) as NFI Gas Specialists.

IMPORTANT SAFETY INFORMATION

1. WARNING: This appliance is only for use with the type of gas indicated on the rating plate. This appliance is not convertible for use with other gases.

- Do not place propane/LP supply tank(s) inside any structure. Locate propane/LP supply tank(s) outdoors (propane/LP only).
- If you smell gas
 - shut off gas supply
 - do not try to light any appliance
 - do not touch any electrical switch; do not use any phone in your building
 - leave the building immediately
 - immediately call your gas supplier from a neighbor's phone. Follow the gas supplier's instructions
 - if you cannot reach your gas supplier, call the fire department
- This fireplace shall not be installed in a bedroom or bathroom.
- Do not use this fireplace as a wood-burning fireplace. Use only provided media and accessories listed in this manual.
- Do not add extra logs or ornaments such as pine cones, vermiculite, glowing embers, rockwool or volcanic stone to this fireplace.
- This fireplace is designed to be smokeless. If unit ever appears to smoke, turn off fireplace and call a qualified service person.
NOTE: During initial operation, slight smoking could occur due to fireplace burning manufacturing residues.
- To prevent the creation of soot, follow the instructions in [Cleaning and Maintenance](#), **Page 31**.
- Before using furniture polish, wax, carpet cleaner, or similar products, turn heater off. If heated, the vapors from these products may create a white powder residue within burner box or on adjacent walls or furniture.
- This fireplace needs fresh air ventilation to run properly. This fireplace has an Oxygen Depletion Sensing (ODS) safety shutoff system. The ODS shuts down the fireplace if not enough fresh air is available. See [Air for Combustion and Ventilation](#), **Page 7**. If fireplace keeps shutting off, see [Troubleshooting](#), **Page 34**.
- Do not run fireplace
 - where flammable liquids or vapors are used or stored.
 - under dusty conditions.
- Do not use this fireplace to cook food or burn paper or other objects. Never place any objects in the fireplace.
- Do not use this room heater if any part has been under water. Immediately call a qualified service technician to inspect the room heater and to replace any part of the control system and any gas control which has been under water.
- Turn off and unplug fireplace and let cool before servicing. Only a qualified service person should service and repair fireplace.
- Operating fireplace above elevations of 4,500 feet could cause pilot outage.
- To prevent performance problems, do not use propane/LP fuel tank of less than 100 lbs. capacity (propane/LP only).
- Provide adequate clearances around air openings.
- The screen or any other part removed for servicing must be replaced prior to operating this heater.

LOCAL CODES

Install and use appliance with care. The installation must conform with local codes or in the absence of local codes, to the latest edition of The National Fuel Gas Code, ANSI Z223.1/NFPA54*. Firebox must be electrically grounded in accordance with the National Electrical Code, ANS/NFPA70* (latest edition).

*Available from: American National Standards Institute, Inc.
25 West 43rd Street, 4th floor
New York, NY 10036

National Fire Protection Association, Inc.
1 Batterymarch Park
Quincy, MA 02169-7471

UNPACKING

CAUTION: Do not remove the data plates attached to the heater. The data plates contain important warranty and safety information.

- Remove the shipping carton and retain front to use as protection during construction.
- Remove the barrier assembly and items inside.
- Check appliance for any shipping damage. If appliance is damaged, promptly inform dealer where you purchased the appliance.

PRODUCT FEATURES

OPERATION

This vent-free fireplace is clean burning. It requires no outside venting. There is no heat loss out a vent or up a chimney. Heat is generated by realistic flames. When used without the blower and lights, the fireplace has a battery backup option allowing use for backup heat in case of a power outage.

SAFETY DEVICE

This fireplace has a pilot with an Oxygen Depletion Sensing (ODS) safety shutoff system. The ODS/pilot is a required feature for vent-free room heaters. The ODS/pilot system shuts off the fireplace if there is not enough fresh air.

ELECTRONIC IGNITION SYSTEM

This heater has an electronic igniter to light the fireplace's fuel supply.

APPLIANCE INSTALLATION, SERVICE, AND MAINTENANCE NOTICES

WARNING

Improper installation, adjustment, alteration, service or maintenance can cause injury or property damage. Refer to this manual. For assistance or additional information consult a qualified installer, service agency or the gas supplier.

Only trim kit(s) supplied by the manufacturer shall be used in the installation of this fireplace.

Any change to this appliance and/or its operating controls is dangerous. Improper installation or use of this appliance can cause serious injury or death from fire, burns, explosion or carbon monoxide poisoning.

CARBON MONOXIDE POISONING: Early signs of carbon monoxide poisoning are similar to the flu with headaches, dizziness and/or nausea. If you have these signs, obtain fresh air immediately. Turn off the gas supply to the appliance and have it serviced by a qualified professional, as it may not be operating correctly. Some people are more affected by carbon monoxide than others, including pregnant women, people with heart or lung disease or anemia, those under the influence of alcohol, and those at high altitudes.

Turn off gas and electrical power to the appliance and allow it to cool before cleaning or servicing the appliance.

If the barrier becomes damaged, the barrier shall be replaced with the manufacturer's barrier for this appliance.

For use with barrier(s) Part No(s) F4870. Follow installation instructions.

Reinstall any barrier removed before operating the appliance. The barrier is designed to reduce the risk of burns. Do not operate the appliance without the barrier installed.

LIFTING YOUR FIREPLACE

This fireplace is equipped with lifting points on each side to help maneuver during the installation process. Using gloves, push the lifting flap inward to create the lift point opening (*Figure 1*). Use these openings to move to desired area. It is not necessary to return flap to closed position after installation.

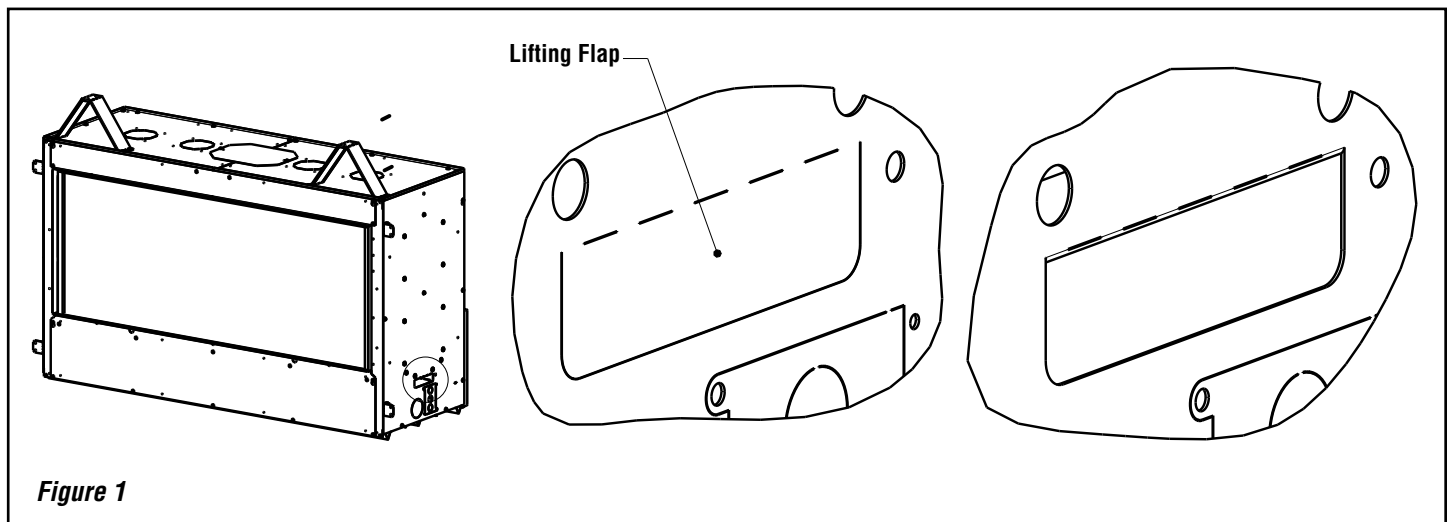


Figure 1

AIR FOR COMBUSTION AND VENTILATION

⚠ WARNING: This heater shall not be installed in a room or space unless the required volume of indoor combustion air is provided by the method described in the National Fuel Gas Code, ANSI Z223.1/NFPA 54, the International Fuel Gas Code, or applicable local codes. Read the following instructions to ensure proper fresh air for this and other fuel-burning appliances in your home.

Today's homes are built more energy efficient than ever. New materials, increased insulation, and new construction methods help reduce heat loss in homes. Homeowners apply weather strip and caulk around windows and doors to keep the cold air out and the warm air in. During heating months, homeowners want their homes as airtight as possible.

While it is good to make your home energy efficient, your home needs to breathe. Fresh air must enter your home. All fuel-burning appliances need fresh air for proper combustion and ventilation.

Exhaust fans, some fireplaces, clothes dryers and some fuel-burning appliances draw air from the house to operate. You must provide adequate fresh air for these appliances. This will ensure proper venting of vented fuel-burning appliances.

PROVIDING ADEQUATE VENTILATION

The following are excerpts from National Fuel Gas Code, ANSI Z223.1/NFPA 54, Air for Combustion and Ventilation.

All spaces in homes fall into one of the three following ventilation classifications:

1. Unusually Tight Construction
2. Unconfined Space
3. Confined Space

The information on **Pages 7–9** will help you classify your space and provide adequate ventilation.

Unusually Tight Construction

The air that leaks around doors and windows may provide enough fresh air for combustion and ventilation. However, in buildings of unusually tight construction, you must provide additional fresh air.

Unusually tight construction is defined as construction where:

- a. walls and ceilings exposed to the outside atmosphere have a continuous water vapor retarder with a rating of one perm (6×10^{-11} kg per pa-sec- m^2) or less with openings gasketed or sealed and
- b. weather stripping has been added on openable windows and doors and
- c. caulking or sealants are applied to areas such as joints around window and door frames, between sole plates and floors, between wall-ceiling joints, between wall panels, at penetrations for plumbing, electrical, and gas lines, and at other openings.

If your home meets all three criteria above, you must provide additional fresh air. See Ventilation Air From Outdoors, Page 9.

If your home does not meet all three criteria above, proceed to Determining Fresh-Air Flow For Heater Location.

Confined and Unconfined Space

The National Fuel Gas Code, ANSI Z223.1/ NFPA54 allows two methods for determining whether the space in which the heater is being installed is confined or unconfined space. The standard method defines a confined space as a space whose volume is less than 50 cubic feet per 1,000 Btu per hour (4.8 m³ per kw) of the aggregate input rating of all appliances installed in that space and an unconfined space as a space whose volume is not less than 50 cubic feet per 1,000 Btu per hour (4.8 m³ per kw) of the aggregate input rating of all appliances installed in that space. Rooms communicating directly with the space in which the appliances are installed*, through openings not furnished with doors, are considered a part of the unconfined space.

Where the air infiltration rate of a structure is known, the Known Air Infiltration Rate Method may be used. Follow The National Fuel Gas Code, ANSI Z223.1/NFPA 54 to use this method to determine if the space is confined or unconfined.

* Adjoining rooms are communicating only if there are doorless passageways or ventilation grills between them.

DETERMINING FRESH-AIR FLOW FOR FIREPLACE LOCATION

Determining if You Have a Confined or Unconfined Space Using the Standard Method

AIR FOR COMBUSTION AND VENTILATION *(Continued)*

Use this work sheet to determine if you have a confined or unconfined space.

Space: Includes the room in which you will install fireplace plus any adjoining rooms with doorless passageways or ventilation grills between the rooms.

- Determine the volume of the space (length x width x height).
 Length x Width x Height = _____ cu. ft. (volume of space)
 Example: Space size 20 ft. (length) x 16 ft. (width) x 8 ft. (ceiling height) = 2,560 cu. ft. (volume of space)

If additional ventilation to adjoining room is supplied with grills or openings, add the volume of these rooms to the total volume of the space.

- Multiply the space volume by 20 to determine the maximum Btu/Hr the space can support.
 _____ (volume of space) x 20 = (Maximum Btu/Hr the space can support)
 Example: 2,560 cu. ft. (volume of space) x 20 = 51,200 (maximum Btu/Hr the space can support)

- Add the Btu/Hr of all fuel burning appliances in the space.

Vent-free fireplace _____ Btu/Hr
 Gas water heater* _____ Btu/Hr
 Gas furnace _____ Btu/Hr
 Vented gas heater _____ Btu/Hr
 Gas fireplace logs _____ Btu/Hr
 Other gas appliances* _____ + Btu/Hr
 Total = _____ Btu/Hr

* Do not include direct-vent gas appliances. Direct-vent draws combustion air from the outdoors and vents to the outdoors.

Example:

Gas water heater 40,000 Btu/Hr
 Vent-free fireplace 33,000 + Btu/Hr
 Total = 73,000 Btu/Hr

- Compare the maximum Btu/Hr the space can support with the actual amount of Btu/Hr used.

_____ Btu/Hr (maximum the space can support)
 _____ Btu/Hr (actual amount of Btu/Hr used)
 Example: 51,200 Btu/Hr (maximum the space can support)
 73,000 Btu/Hr (actual amount of Btu/Hr used)

The space in the example is a confined space because the actual Btu/Hr used is more than the maximum Btu/Hr the space can support. You must provide additional fresh air. Your options are as follows:

- Rework worksheet, adding the space of an adjoining room. If the extra space provides an unconfined space, remove door to adjoining room or add ventilation grills between rooms. See Ventilation Air From Inside Building.
- Vent room directly to the outdoors. See Ventilation Air From Outdoors Page 9.
- Install a lower Btu/Hr fireplace, if lower Btu/Hr size makes room unconfined.

If the actual Btu/Hr used is less than the maximum Btu/Hr the space can support, the space is an unconfined space. You will need no additional fresh air ventilation.

⚠ WARNING: If the area in which the heater may be operated does not meet the required volume for indoor combustion air, combustion and ventilation air shall be provided by one of the methods described in the National Fuel Gas Code, ANSI Z223.1/NFPA 54, the International Fuel Gas Code, or applicable local codes.

VENTILATION AIR

Ventilation Air From Inside Building

This fresh air would come from an adjoining unconfined space. When ventilating to an adjoining unconfined space, you must provide two permanent openings: one within 12" of the ceiling and one within 12" of the floor on the wall connecting the two spaces (see options 1 and 2, **Figure 2**). You can also remove door into adjoining room (see option 3, **Figure 2**).

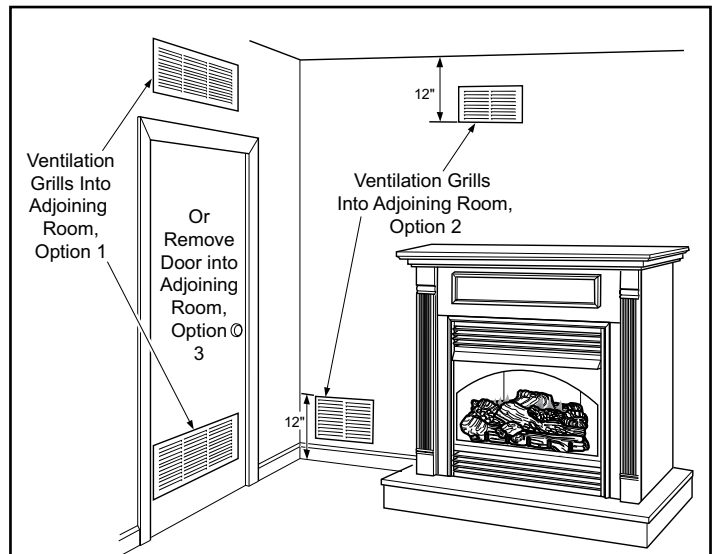


Figure 2 - Ventilation Air from Inside Building

AIR FOR COMBUSTION AND VENTILATION (*Continued*)

Follow the National Fuel Gas Code, ANSI Z223.1/NFPA 54, Air for Combustion and Ventilation for required size of ventilation grills or ducts.

Ventilation Air From Outdoors

Provide extra fresh air by using ventilation grills or ducts. You must provide two permanent openings: one within 12" of the ceiling and one within 12" of the floor. Connect these items directly to the outdoors or spaces open to the outdoors. These spaces include attics and crawl spaces. Follow the National Fuel Gas Code, ANSI Z223.1/NFPA 54, Air for Combustion and Ventilation for required size of ventilation grills or ducts.

IMPORTANT: Do not provide openings for inlet or outlet air into attic if attic has a thermostat-controlled power vent. Heated air entering the attic will activate the power vent.

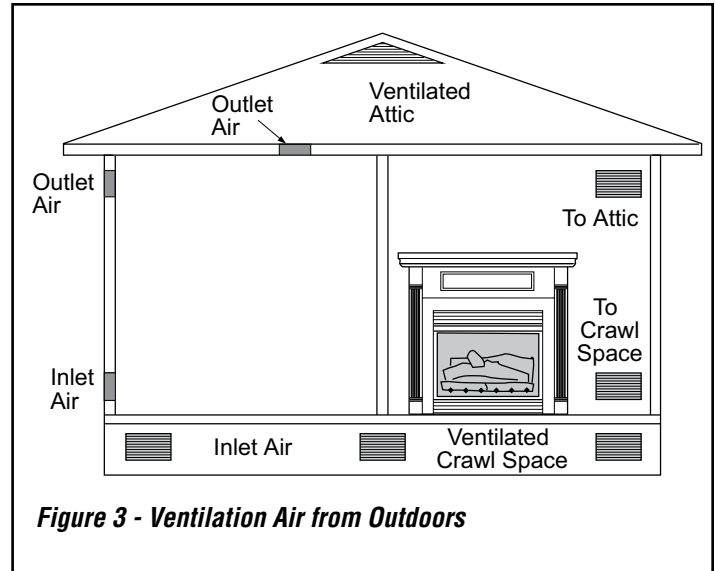


Figure 3 - Ventilation Air from Outdoors

APPLIANCE OPERATION NOTICES

Provide adequate clearances around air openings and adequate accessibility clearance for service and proper operation. Never obstruct the front openings of the appliance.

WARRANTY INFORMATION

Your gas appliance is covered by a limited lifetime warranty. You will find a copy of the warranty accompanying this manual. Please read the warranty to be familiar with its coverage.

Retain this manual. File it with your other documents for future reference.

Failure to comply with the installation and operating instructions provided will result in an improperly installed and operating appliance, voiding its warranty.

Do not attempt to alter or modify the construction of the appliance or its components. Any modification or alteration may void the warranty, certification, and listings of this unit.

IMPORTANT SAFETY AND WARNING INFORMATION

CAUTION

Hot while in operation. Do not touch. Severe Burns may result. Keep children, clothing furniture, gasoline and other liquids having flammable vapors away.

WARNING

This product can expose you to chemicals including Carbon Black, which is known to the State of California to cause cancer, and Carbon Monoxide, which is known to the State of California to cause birth defects or other reproductive harm. For more information go to www.P65Warnings.ca.gov

NOTICE: This appliance is intended for supplemental heating. Use this heater along with your primary heating system. Do not install this heater as your primary heat source. If you have a central heating system, you may run system's circulating blower while using heater. This will help circulate the heat throughout the house. In the event of a power outage, you can use this heater as your primary heat source.

⚠ WARNING: A qualified service person must install fireplace. Follow all local codes.

⚠ WARNING: Never install the fireplace

- in a bedroom or bathroom
- in a recreational vehicle
- where curtains, furniture, clothing, or other flammable objects are less than 36" from the front and 42" from the top of fireplace. For side clearances see *Figure 5A, Page 14*
- in high traffic areas
- in windy or drafty areas

⚠ CAUTION: This fireplace creates warm air currents. These currents move heat to wall surfaces next to fireplace. Installing fireplace next to vinyl or cloth wall coverings or operating heater where impurities (such as, but not limited, to tobacco smoke, aromatic candles, cleaning fluids, oil or kerosene lamps, etc.) in the air exist, may discolor walls or cause odors.

NOTE: Where standoff and nailing flange spacers are attached to your fireplace, combustible material (studs and wall board) may be placed against them.

Use the dimensions shown for rough openings to create the easiest installation. See *Built-In Fireplace Installation, Pages 17 and 18.*

IMPORTANT: Vent-free heaters add moisture to the air. Although this is beneficial, installing fireplace in rooms without enough ventilation air may cause mildew to form from too much moisture. See *Air for Combustion and Ventilation, Pages 7 - 9.*

IMPORTANT: Make sure the fireplace is level. If fireplace is not level, it will not work properly.

CHECK GAS TYPE

Use the correct type of gas (natural or propane/LP). If your gas supply is not the correct gas type, do not install appliance. Call dealer where you purchased the appliance for proper type appliance.

⚠ WARNING: This appliance is equipped for either natural gas or propane/LP gas but not both. Gas type is indicated on the rating plate. Field conversion is not permitted.

INSTALLATION

PACKAGING

All Omega DLX models include

- The assembled Vent-Free Gas Fireplace is packaged with:
- Literature Kit (Installation and Operation Instructions [this manual], and Safety-In-Operation Warning Labels)
 - Reflective Glass Media - Two (2), 5 lb. bags, Platinum
 - One (1), Ecoflow Handheld Remote
 - Four (4), AA Batteries
 - One (1), Fireboard Top
 - One (1), Fireboard Bottom
 - Two (2), Fireboard Sides
 - 28 Self Drill Bugle Drywall Screws (to attach Fireboard)
 - Burner Draft Shield Glass Panel
 - Fireplace Standoffs
 - Four (4) #10 Hex Head Screws

INTRODUCTION

This vent-free fireplace is clean burning. It requires no outside venting. There is no heat loss out a vent or up a chimney. Heat is generated by realistic flames. When used without the blower and lights, the fireplace has a battery backup option allowing use for backup heat in case of a power outage.

Codes and Standards

These appliances comply with National Safety Standards and are listed by PFS TECO to ANSI Z21.11.2 as unvented Gas-fired room heaters.

The installation must conform to local codes or, in the absence of local codes, with the National Fuel Gas Code, ANSI Z223.1/NFPA 54—latest edition.

The fireplace, when installed, must be electrically grounded and wired in accordance with local codes or, in the absence of local codes, with the National Electrical Code, ANSI/NFPA 70—latest edition.

BTU Input

Models	Natural Gas	
	High Rate	Low Rate
OmegaDLX48ZEN	35,000	28,000
OmegaDLX48ZEP	34,000	27,000

Table 1 - Input Rate (BTU/HR), Gas Valves

Gas Pressure

Fuel	Minimum	Maximum
Natural Gas	5" WC / (1.25 kPa)	10.5" WC / (2.61 kPa)
Propane/LP	11.0" WC / (2.74 kPa)	13.0" WC / (3.23 kPa)

Table 2 - Inlet Line Gas Pressures

Fuel	Pressure
Natural Gas	3.5" WC / (0.87 kPa)
Propane/LP	10.0" WC / (2.49 kPa)

Table 3 - Manifold Outlet Gas Supply Pressure

Testing Inlet Line Gas Pressure (Qualified Technicians Only):

1. Turn off gas shutoff valve and electrical.
2. Loosen regulator inlet pressure port screw.
3. Connect manometer to nipple, using an 1/8" NPT air hose nipple/fitting.
4. Turn on shutoff valve and check for proper inlet gas pressure.
5. Reverse steps 1-4.

1/8" Inlet line gas pressure 'test point' plug (in control compartment)

The outlet manifold test gauge connection is provided on the valve stem (shown here). The inlet line gas pressure test point is also shown. The control valves have a 3/8" (10 mm) NPT thread inlet and outlet side of the valve.

Figure 4 - MANIFOLD Outlet Gas Pressure Test Point

NOTE: Before accessing the test ports, the fireplace must be OFF and COLD. Turn OFF the main gas supply before connecting to the pressure taps.

Propane tanks are at pressures that will cause damage to valve components. Verify that the tanks have step down regulators to reduce the pressure to safe levels.

Using a propane tank smaller than 100 lbs may create pressure loss and insufficient fuel delivery, which can cause sooting, severe delayed ignition, or other malfunctions (see NFPA 58).

Any damage as a result of insufficient tank size or other improper installation is NOT covered under the limited warranty.

The appliance and its appliance main gas valve must be disconnected from the gas supply piping system during any pressure testing of that system at test pressures **in excess of** 1/2 psi (3.5 kPa).
The appliance must be isolated from the gas supply piping system by closing its equipment shutoff valve during any pressure testing of the gas supply piping system at test pressures **equal to or less than** 1/2 psi (3.5 kPa).

Orifice Sizes—Sea Level to High Altitude

These fireplaces are tested and approved for installation at elevations of 0 - 4500 ft (0 - 1372 m) above sea level using the standard burner orifice sizes (**Table 4**). Operating fireplace above elevations of 4,500 ft, could cause pilot outage.

Model	Drill size *
OmegaDLX48ZEN	#34 (.111")*
OmegaDLX48ZEP	#51 (.067")*

Table 4 - Burner Orifice Sizes, Elevation 0 - 4500 ft (0 - 1372 m)

* Standard size installed at factory

COMMONWEALTH OF MASSACHUSETTS REQUIREMENTS

These appliances are approved for installation in the US state of Massachusetts if the following additional requirements are met:

- Un-vented Room Heaters shall be installed in accordance with 527 CMR 30.
- Installation and repair must be done by a plumber or gas fitter licensed in the Commonwealth of Massachusetts.
- The flexible gas line connector used shall not exceed 36 inches (92 centimeters) in length.
- The individual manual shut-off must be a T-handle type valve.
- Un-vented appliances may NOT be installed in bedrooms or bathrooms.
- A working smoke detector must be installed in the area where vent-free appliances are installed.

Seller of un-vented propane or natural gas-fired supplemental room heaters shall provide to each purchaser a copy of 527 CMR 30 upon sale of the unit

MANUFACTURED HOME REQUIREMENTS

This appliance may be installed in an aftermarket, permanently located, manufactured home (USA only) or mobile home, where not prohibited by local codes.

This appliance is only for use with the type of gas indicated on the rating plate. This appliance is not convertible for use with other gases.

CAUTION

Ensure that the cross members are not cut or weakened during installation. The structural integrity of the manufactured home floor, wall, and ceiling / roof must be maintained.

CAUTION

This appliance must be grounded to the chassis of the manufactured home in accordance with local codes or in the absence of local codes, with the National Electrical Code ANSI / NFPA 70—latest edition or the Canadian Electrical Code CSA C22.1—latest edition.

LOCATION

Determine the safest and most efficient location for your fireplace, with proper access to the fuel supply.

Choose a location where the heat output is not affected by drafts, air conditioning ducts, windows or doors. Be aware of all restrictions and precautions before deciding the exact location for your fireplace.

When deciding the location of your fireplace, follow these rules:

Due to high temperatures, do not locate this fireplace in high traffic areas, windy or drafty areas or near furniture or draperies.

If your fireplace is to be installed directly on carpeting, vinyl tile or any combustible material other than wood, it must be installed on a metal or wood panel extending the full width and depth of the fireplace. Standoff spacers attached to your fireplace can be placed directly against the wall or framing material.

MINIMUM CLEARANCES TO COMBUSTIBLES

Fireplace Clearances

Back	3/4" (19 mm) to wrapper
Sides	1/2" (13 mm) to wrapper 0" (0 mm) to Spacers
Top of Standoffs	0" (0 mm)
Floor	0" (0 mm)
From Bottom of Unit to Ceiling	84" (2134 mm)
Enclosure Height *	Without HeatFlo Kit- 60" With Heatflo Kit- 84"
Front Clearance — clearance immediately in front of viewing area(s)	36" (914 mm)
NOTE: Do not pack with insulation or other materials around the fireplace. * 84" Minimum enclosure height if installing with heat flo kit.	
Table 5 - Minimum Clearances	

Hearth Extension

A hearth extension is not required with this fireplace. If a hearth extension is used, do not block the screen barrier assembly from being installed or removed. Any hearth extension used is for appearance only and does not have to conform to standard hearth extension installation requirements.

Wall Finishes / Surrounds / Mantels

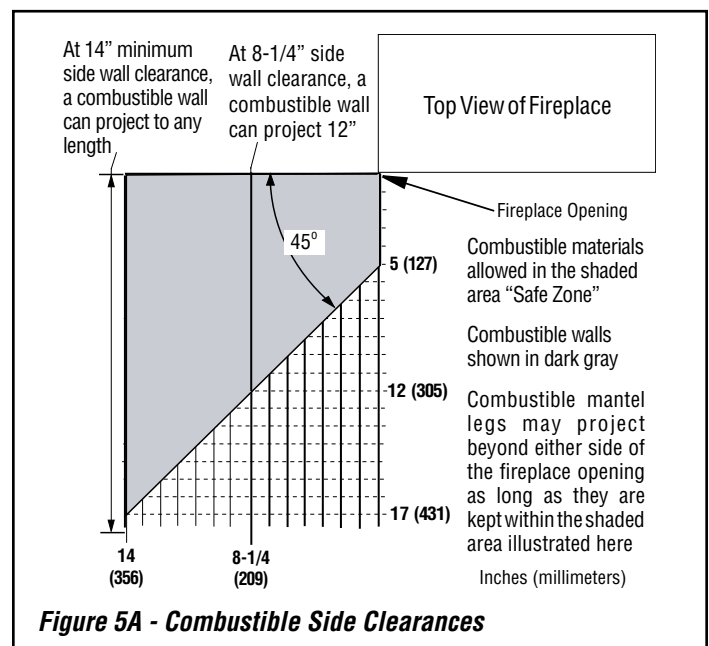
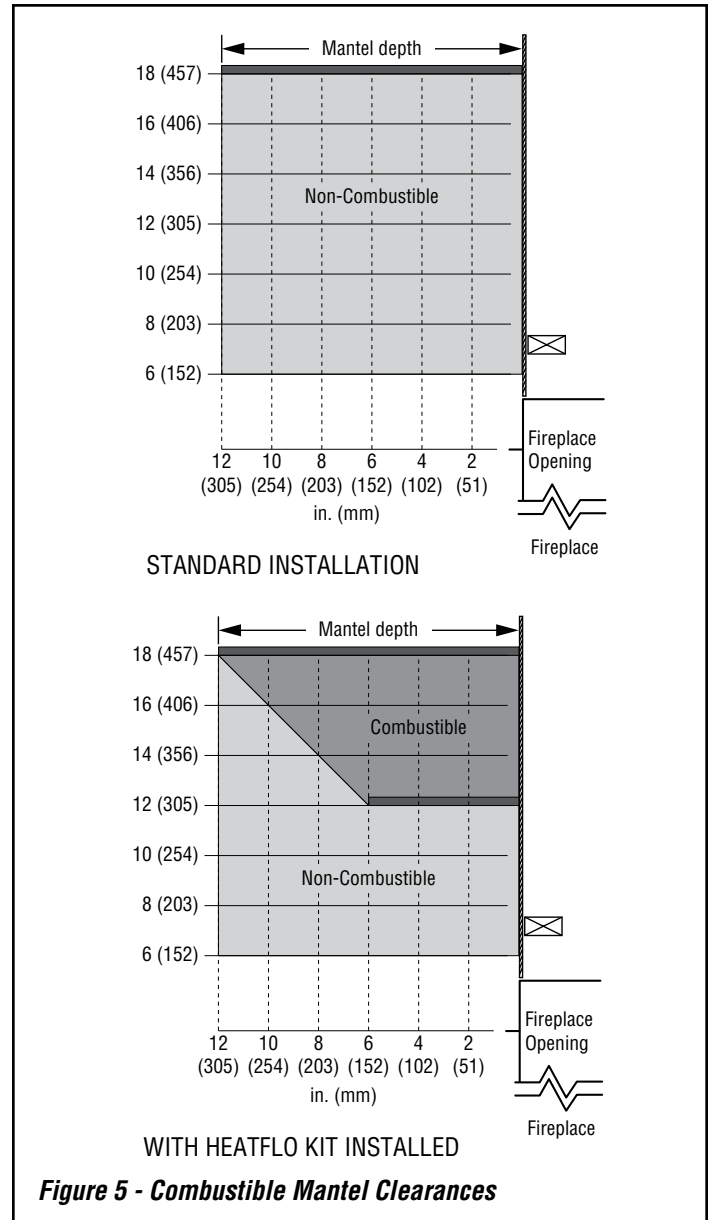
NOTE: Combustible wall finish materials and/or surround materials must not be allowed to encroach the area defined by the fireplace front face (black sheet metal).

Non-Combustible materials, such as surrounds and other fireplace trim, may be installed on the fireplace face, but they must not impede the removal or installation of screen barrier assembly.

Vertical installation clearances to combustible mantels vary according to the depth of the mantel (**Figures 5 and 5A**). Mantels constructed of Non-Combustible materials may be installed at any height above the fireplace opening. However, do not allow anything to hang below the fireplace opening.

Minimum clearance requirements include any projections such as shelves, window sills, mantels, etc. above the fireplace.

NOTE: To avoid heat-related finish damage, we recommend the use of high temperature paint on the underside of the mantel.



INSTALLATION PREPARATION

The fireplace is shipped with all gas controls and components installed and pre-wired. Before installing the fireplace, follow these steps:

1. Remove the shipping carton, and retain the front of the carton (used to protect the fireplace during construction).

INSTALLATION SEQUENCE

The typical sequence of installation is outlined below; however, each installation is unique and may result in variations to the steps described.

See the pages referenced in the following steps for detailed instructions.

Check local codes for more restrictive installation. The more restrictive installation for clearances must be used.

Framing

1. **Construct the Fireplace Framing (Pages 17 - 19).** *NOTE: HeatFlo Kit installation will impact installation.*
2. **Prepare the Fireplace Top Spacers and Nailing Flanges (Page 16).**
3. **Route the Gas Supply Line to the Fireplace (Page 20).**
4. **Rough in the Electrical Supply, if Needed (Page 20).**
5. **Place the Fireplace in the Framing and Secure (Page 20).**

Electrical Connection

6. **Complete the Field Wiring (Page 20).**

Gas Connection

7. **Connect the Gas Line (Page 22).**
8. **Verify Proper Fireplace Operation (Page 23).**
9. **Initialize the Remote Control System for the First Time (Page 23).**

Finishing

10. **Installing Non-Combustible Fireboard (Page 25).**
11. **Install Interior Options (Pages 28- 31) - See Accessory Components Page 36, Follow Instructions Included with Optional Kits)**
12. **Install the Glass Media (Page 28).**
13. **Installation/Re-Installation of the Required Screen Barrier (Page 25).**

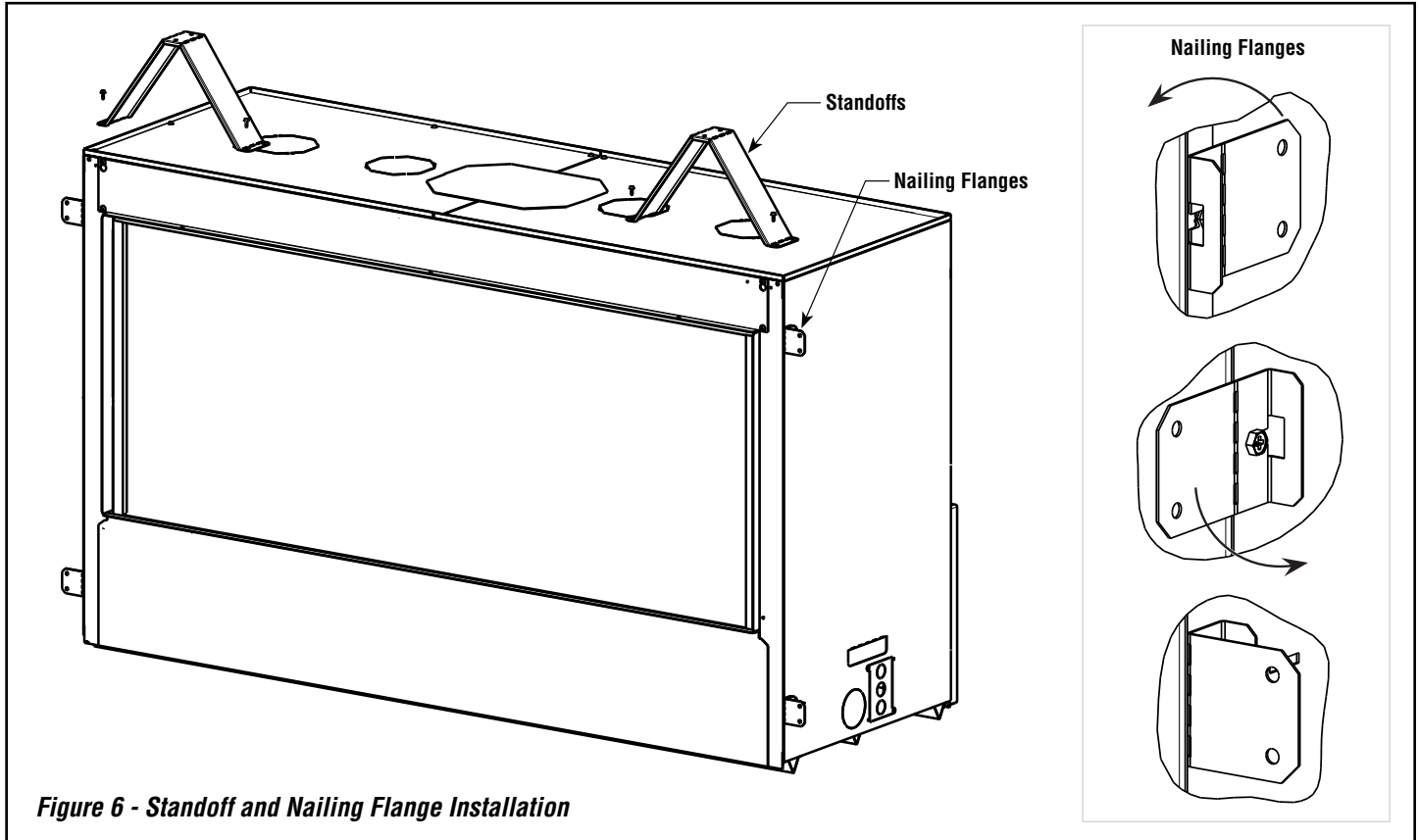
1. Construct the Fireplace Framing

1. Frame the fireplace as illustrated in **Figures 7, 8, and 9 Pages 17 - 19**. All framing details must allow for a minimum clearance to combustible framing members as shown in **Figure 8, Page 17**.
2. If the fireplace is to be elevated above floor level, a solid continuous platform must be constructed below the fireplace.

NOTE: Headers may be in direct contact with the fireplace top standoff spacers, maintaining the 6-3/8" clearance to the fireplace top, but must not be supported by them or notched to fit around them. All construction above the fireplace must be self-supporting. DO NOT use the fireplace for structural support.

IMPORTANT! TOP STANDOFFS AND NAILING FLANGES MUST BE INSTALLED BEFORE PLACING FIREPLACE INTO FRAMING!

1. Prepare top standoffs.
 - a. Identify top standoffs shipped flat on top of the fireplace (**Figure 6**).
 - b. Bend standoffs as shown and attach with supplied screws. They should measure 6-3/8" tall when installed.
2. Locate (4) nailing flanges on sides of fireplace. Loosen mounting screw and rotate 180° forward, then bend outward so that it is flush with the front of the fireplace (**Figure 6**).



Framing Dimensions Standard Installation - Inches (millimeters)

		A	B	C	*D
48" Models	One Sided Framing	55-5/8 (1413)	19-1/2 (496)	39-1/8 (1232)	84 (2134)
	See-Thru Framing	55-5/8 (1413)	18-1/2 (469)	39-1/8 (1232)	84 (2134)

- Optional See-Thru Kit required for See-Thru installation
- * Minimum height from appliance base to ceiling

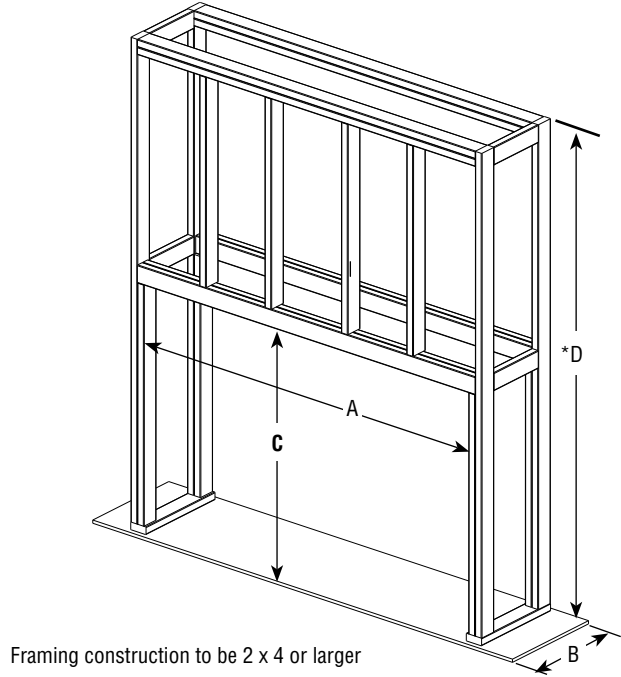
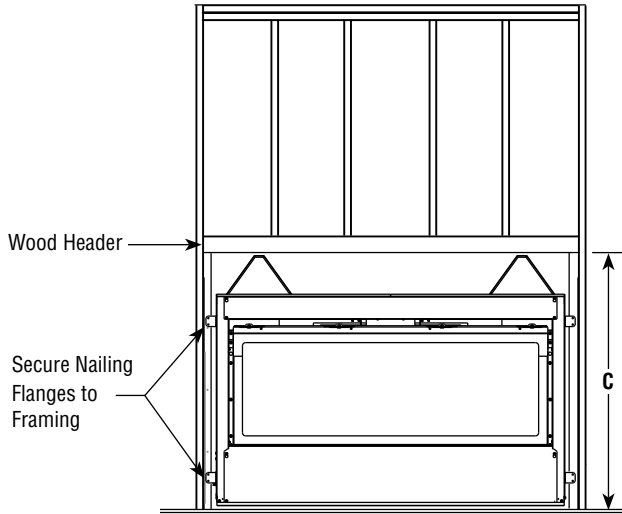


Figure 7 - Standard Framing Specifications

Fireplace Dimensions

Model	A	B	C	D	E
48"	54-1/4 (1378)	27-1/8" (689)	46 (1168)	50-3/8 (1280)	57-7/16 (1459)

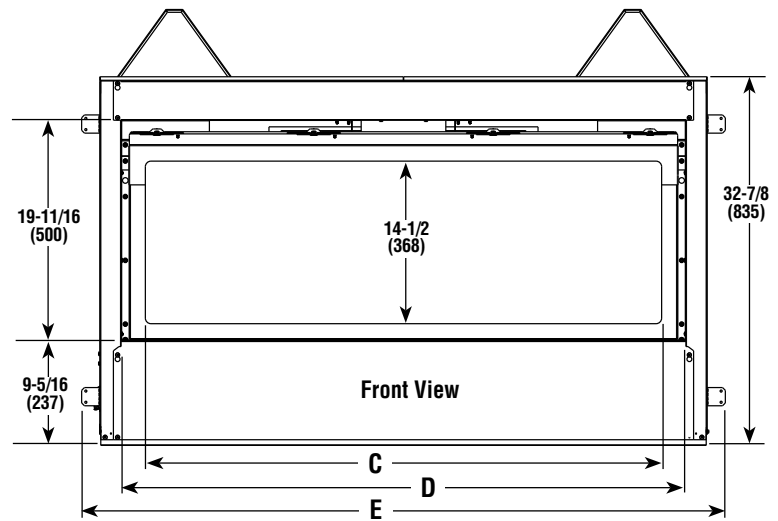
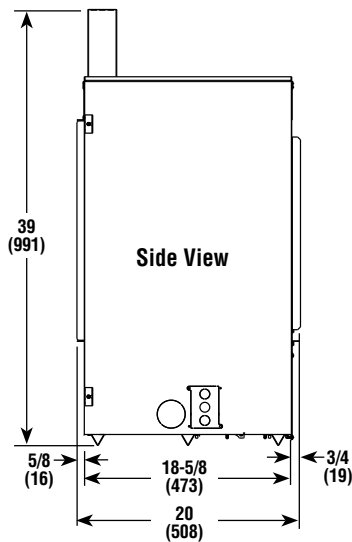
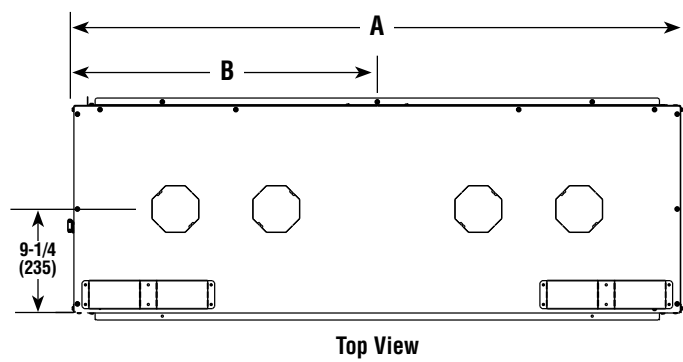


Figure 8

FRAMING AND FINISHING *Continued*

(BW) F = 3-1/2 (not 1-1/2)(done 10-14-22)

Framing Dimensions with HeatFlo Kit for Flush Wall TV Installation, One Sided & See-Thru Application

		A	B	C	D	*E	*F	G	H
48" Models	One Sided Framing	55-5/8 (1413)	19-1/2 (496)	39-1/8 (994)	---	84 (2134)	3-1/2 (89)	53-1/2 (1359)	5-1/8 (130)
	See-Thru Framing	55-5/8 (1413)	18-1/2 (469)	39-1/8 (994)	---	84 (2134)	3-1/2 (89)	53-1/2 (1359)	5-1/8 (130)

• **Optional See-Thru Kit required for See-Thru installation**

*E. Minimum height from appliance base to ceiling
 *F. Minimum distance from framed opening to ceiling

Inches (millimeters)

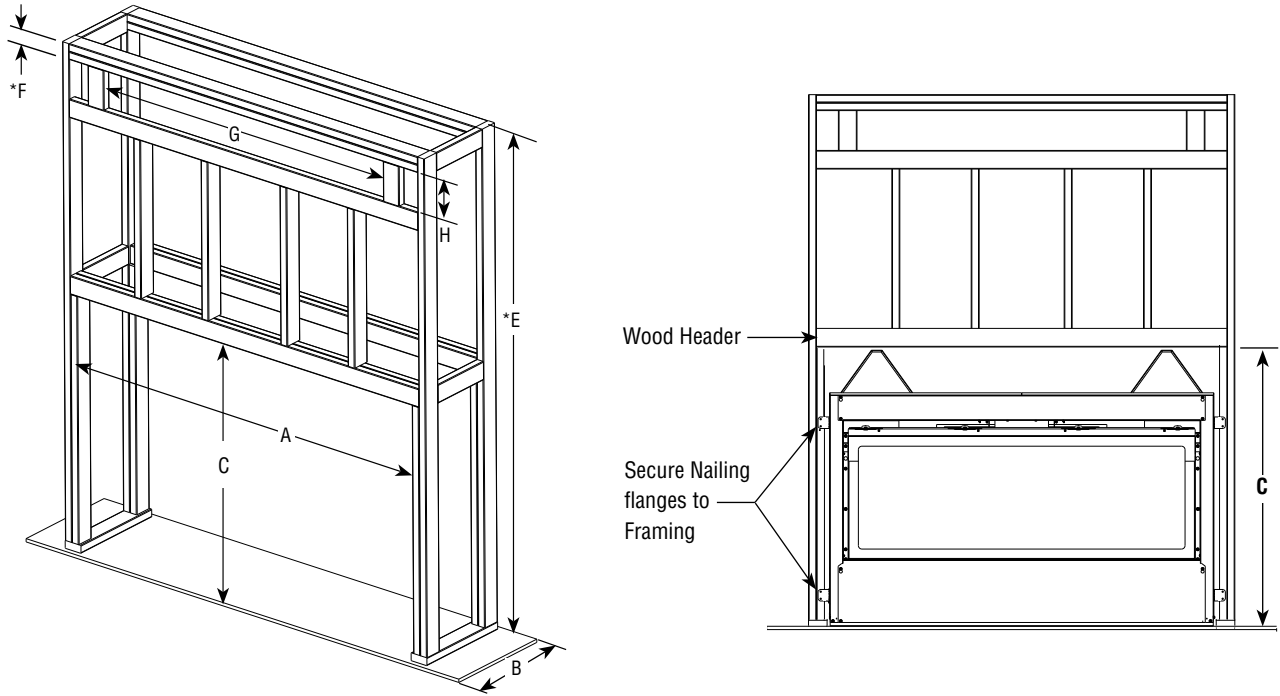


Figure 9 - Fireplace Framing Dimensions for Flush Wall TV Installation One Sided & See-Thru Application

(A) TV Above fireplace Opening	22" (559 mm)
(B) TV Below Vent Opening	3" (77 mm)
(C) Vent Opening Below Ceiling	6" (152 mm)

MINIMUM 6" MANTEL AT 12" REQUIRED FOR INSTALLATION OF TELEVISION!

See Figure 5, Page 14

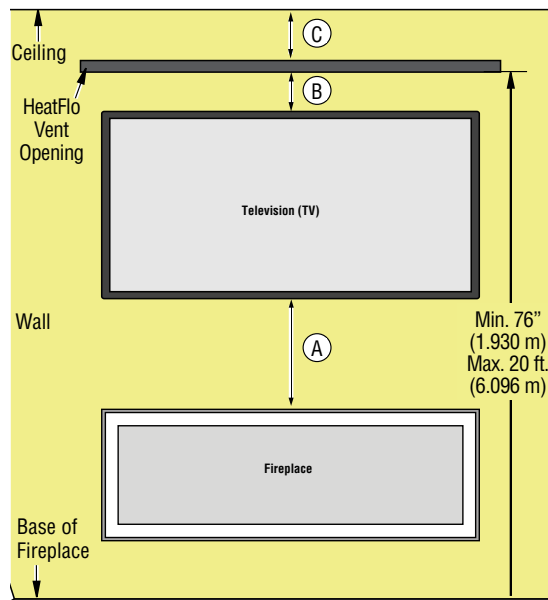
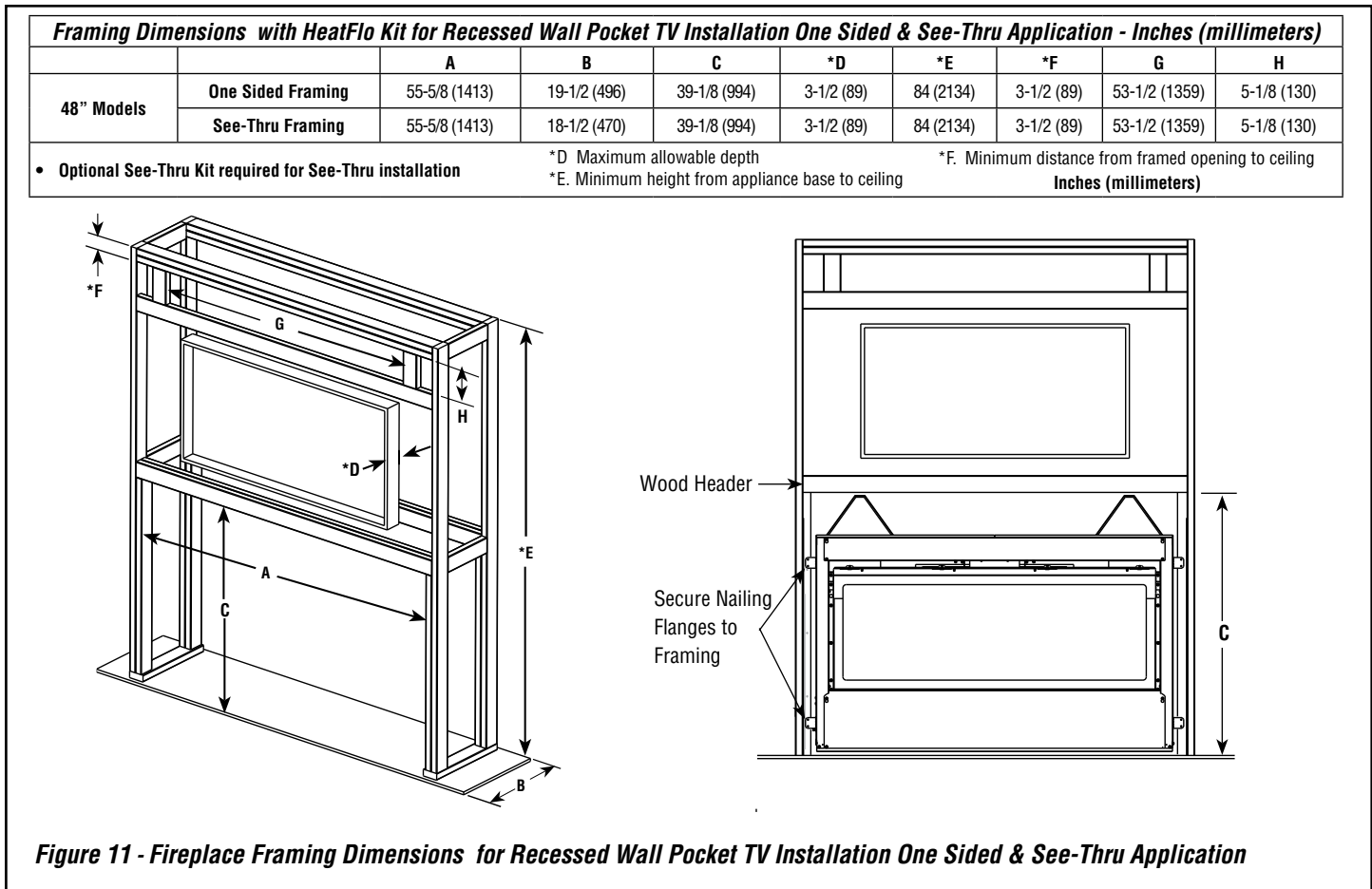


Figure 10 - Minimum Dimensions for Television (TV) Installed Above Fireplace (Flush Wall)

FRAMING AND FINISHING *Continued*



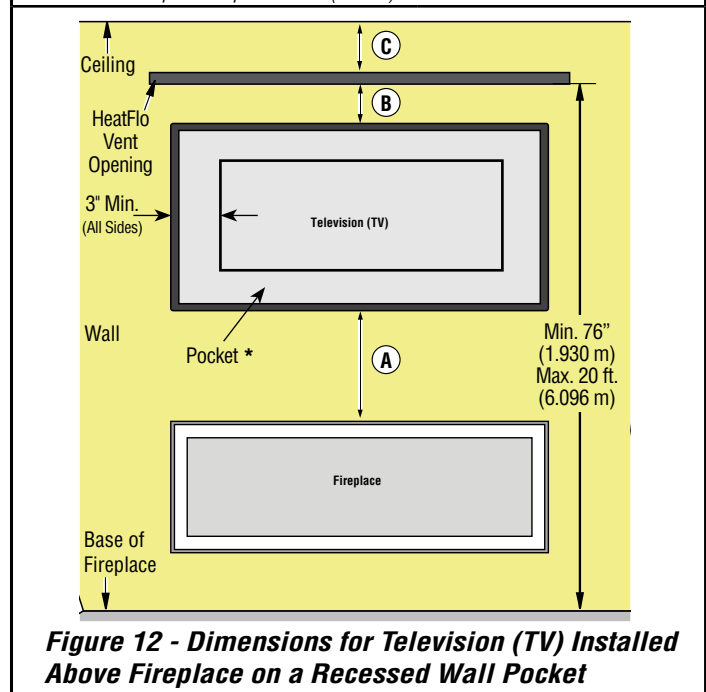
Fireplace Framing Recessed Wall Pocket & HeatFlo Kit (For TV Installation)

**MINIMUM 6" MANTEL AT 12" REQUIRED FOR INSTALLATION
 OF TELEVISION!**

See Figure 5, Page 14

(A) Pocket Above Fireplace Opening (Min.)	18" (457 mm)
(B) Pocket Below Fireplace Opening (Min.)	5-1/2" (140 mm)
(C) Vent Opening Below Ceiling	6" (152 mm)

* NOTE: Maximum pocket depth is 3-1/2" (89 mm)



⚠ CAUTION

The ground supply lead must be connected to the wire attached to the green ground screw located on the outlet box (see wiring diagrams). Failure to do so will result in a potential safety hazard. The appliance must be electrically grounded in accordance with local codes or, in the absence of local codes, the National Electrical Code, ANSI/NFPA 70—latest edition (in Canada, the current CSA C22.1 Canadian Electrical Code).

⚠ CAUTION

Label all wires prior to disconnection when servicing controls. Wiring errors can cause improper and dangerous operation.

Complete the Field Wiring

Electrical connections and operation verification must be done prior to installing finishing materials on the fireplace face.

Verify proper operation after servicing.

The gas valve is set in place and pre-wired at the factory.

NOTE: Must be connected to the main power supply.

NOTE: The junction box is located on the left side of the fireplace (**Figure 13B**).

Wire the Fireplace

1. Route a 3-wire, 120 Vac, 60 Hz, 1 ph unswitched power supply to the fireplace junction box.
2. Remove the electrical inlet cover plate from the outside of the unit by removing the plate securing screws.
3. Feed the power supply wires through the strain relief in the cover plate and into the unit junction box.
4. Connect the black power supply wire to the power outlet black wire and red if included (red not included in all models). Connect the white power supply wire to the outlet common terminal (**Figure 13A**).
5. Connect the ground supply wire to the pigtail lead attached to the outlet's green ground screw (**Figure 13A**). Restrain the inlet power lead per NEC or local codes.
6. After the wiring is complete, replace the cover plate.

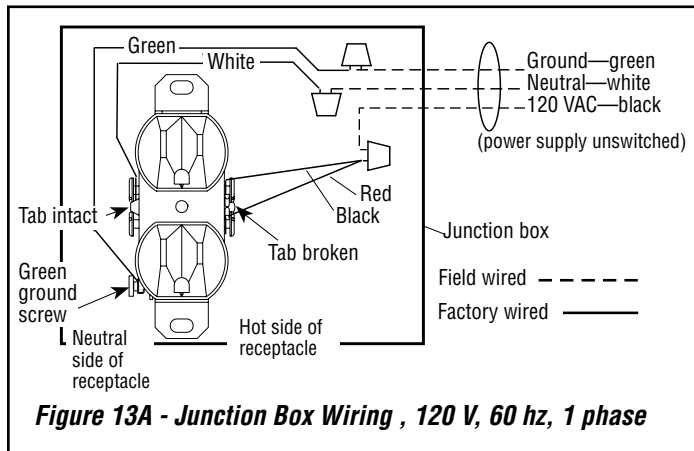


Figure 13A - Junction Box Wiring , 120 V, 60 hz, 1 phase

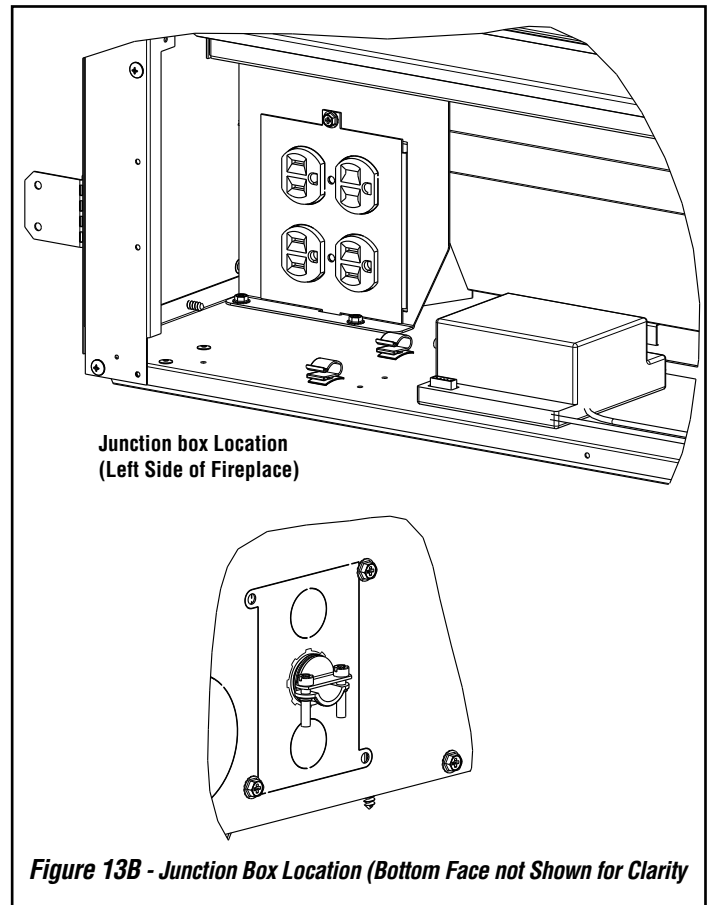


Figure 13B - Junction Box Location (Bottom Face not Shown for Clarity)

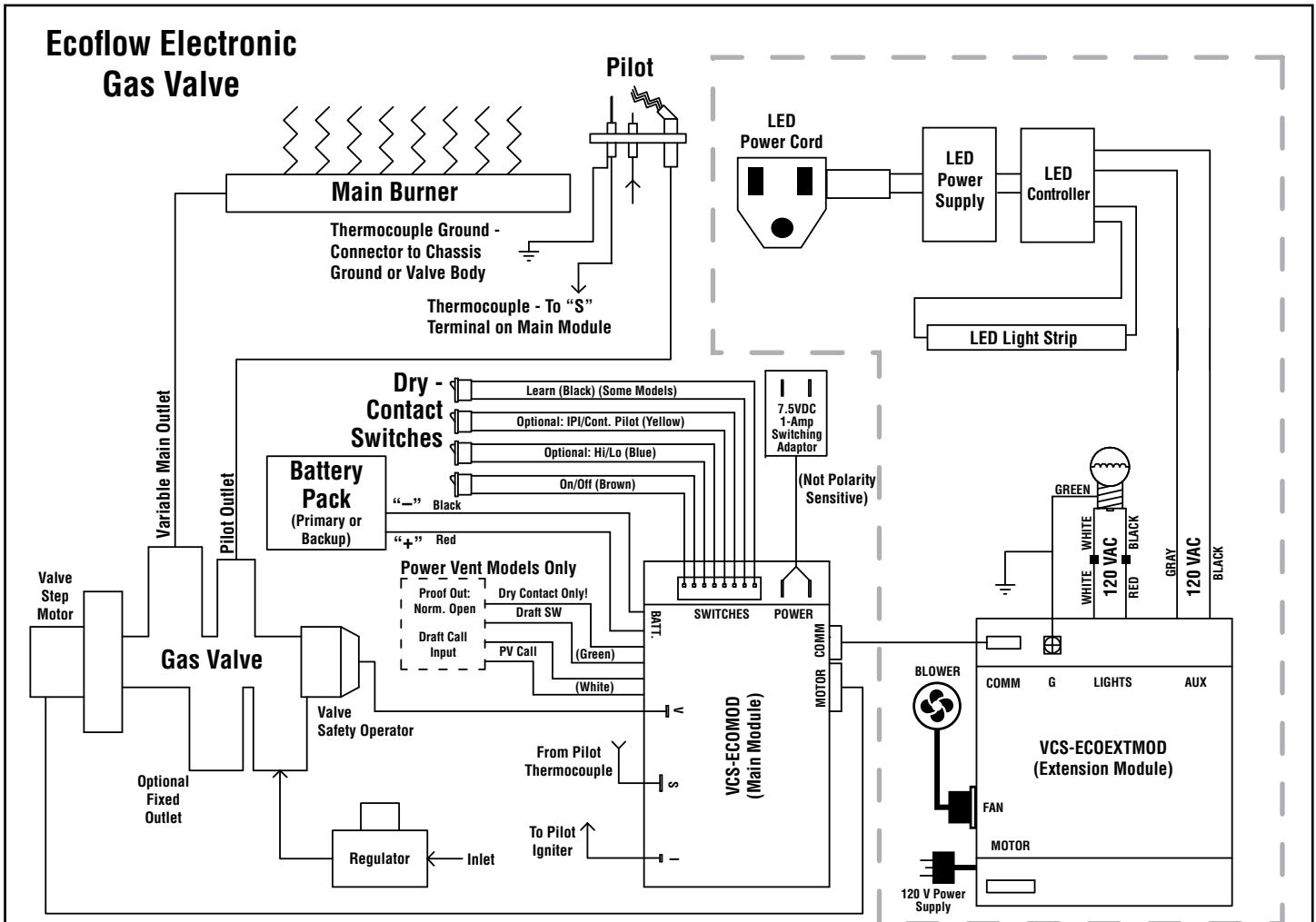


Figure 14 - Wiring Diagram—Omega DLX models

⚠ WARNING

Electronic models of these appliances are equipped with a three-prong (grounding) plug utilized in connecting the electronic components to the junction box in the lower compartment. This grounding plug provides protection against shock hazard and should be plugged directly into a properly grounded three-prong receptacle. **DO NOT** cut or remove the grounding prong from the plug.

8. Connect the Gas Line

All codes require a shutoff valve mounted in the supply line. **Figure 16** illustrates two methods for connecting the gas supply. The flex-line method is acceptable in the U.S., however, Canadian requirements vary depending on locality. Installation must be in compliance with local codes. Install the gas shutoff valve in the gas supply line prior to its entry to the fireplace where it is easily accessible.

NOTE: A sediment trap is recommended in the gas piping (see **Figure 15**) within the home to prevent moisture and debris in the line from damaging the valve.

NOTE: Secure all joints tightly using appropriate tools and sealing compounds (ensure propane resistant compounds are used in propane applications). Seal around the gas line to prevent cold air leakage. Gas line holes and other openings can be caulked or stuffed with unfaced fiberglass insulation.

These fireplaces are equipped with a gas flex line for use (where permitted) in connecting the unit to the gas line. The gas flex line can only be used where local codes permit. The flex line is rated for both natural and propane gas. A manual shut off valve is also provided with the flex line.

The gas control valve is located in the lower control compartment.

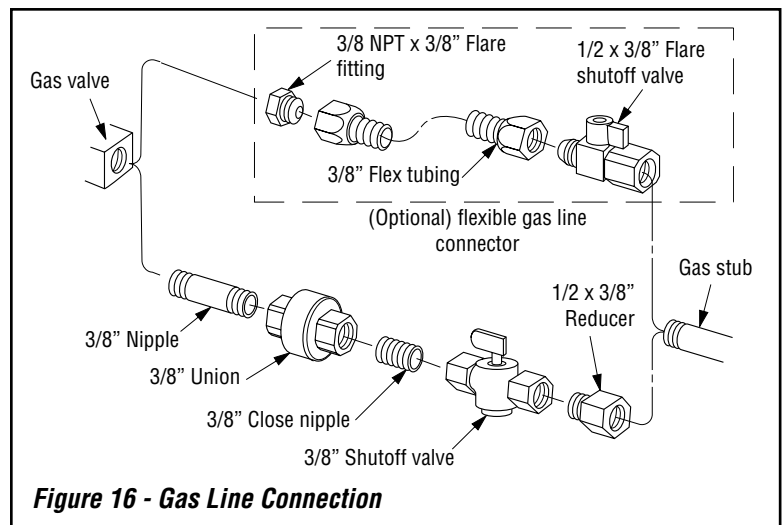
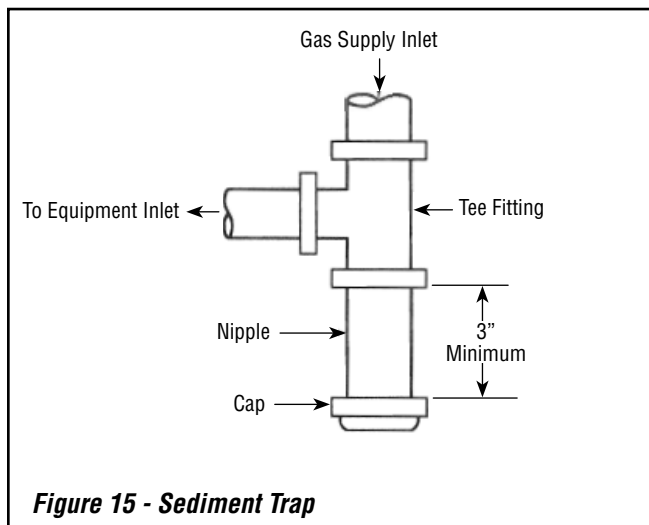


Figure 15 - Sediment Trap

Figure 16 - Gas Line Connection

Access the Control Compartment

See **Page 26** for instructions on **Accessing the Control Compartment**.

Secure all joints tightly using appropriate tools and sealing compounds. Optionally, seal around the gas line to prevent cold air leakage. Gas line holes and other openings can be caulked or stuffed with unfaced fiberglass insulation.

All codes require a shutoff valve mounted in the supply line. The orientation of the shutoff valve should face the front.

Figure 16 illustrates two methods for connecting the gas supply. A sediment trap is recommended to prevent moisture and debris in the gas line from damaging the valve (see **Figure 15**).

Test Factory and Field Connections for Gas Leaks

⚠ WARNING

Never use an open flame to check for leaks.

Turn on gas supply and test for gas leaks, using a gas leak test solution—also known as bubble leak solution.

NOTE: Using a soapy water solution is an effective leak test solution but it is not recommended, because the soap residue that is left on the pipes/fittings can result in corrosion over time.

1. Light the fireplace (refer to the lighting instructions label in the control compartment or **Page 33**).
2. Brush all joints and connections with the gas leak test solution to check for leaks. If bubbles are formed, or gas odor is detected, turn the receiver or remote control to the OFF position (electronic units). Either tighten or refasten the leaking connection, and then retest as described above.
3. When the gas lines are tested and leak free, rinse off the leak testing solution.

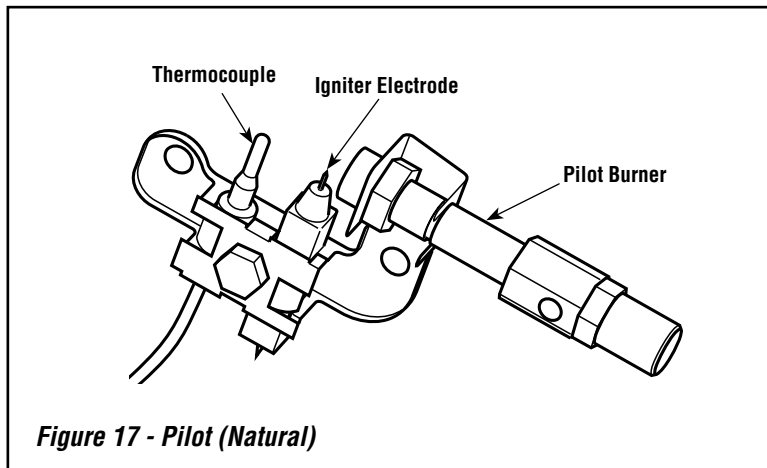
9. Verify Proper Fireplace Operation

1. With the gas line installed, inspect the system before closing the front of the unit.
2. Follow the pilot lighting instructions:
 - Electronic Systems (**Page 33**)

NOTE: When lighting the fireplace for the first time, it will take a few minutes for the gas line to purge itself of air. When purged, the pilot and burner will light and operate as indicated. Subsequent lighting of the fireplace will not require purging. Inspect the pilot flame (carefully remove glass media when cooled completely if necessary).

Electronic Fireplace Inspection

To light the burner, turn ON the unit installed switch or remote control. Ensure the igniter lights the pilot. The pilot flame should engulf the thermocouple.

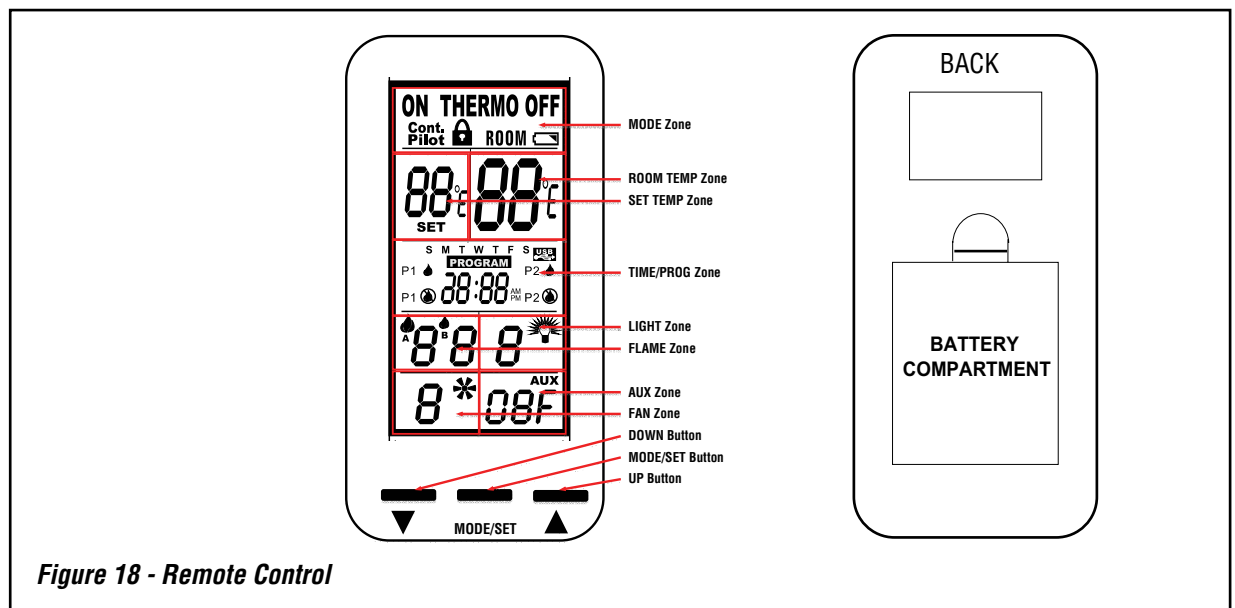


10. Initialize the Remote Control System for the First Time

- W1.** Install the four (4) AAA batteries.

NOTE: Check the polarity (+/-) of the batteries and insert them into the battery bay as indicated on the battery cover.

NOTE: See Operation Instructions provided with the remote control.



THERMOSTAT OFF LCD Displays:

- MODE Zone: THERMO and OFF is displayed
- ROOM TEMP Zone: Measured temperature is displayed
- SET TEMP Zone: SET TEMP is displayed
- LIGHT Zone: LIGHT and light setting level is displayed
- FAN Zone: Blank
- TIME/PROG Zone: Current day indicator and current time is displayed
- AUX Zone: AUX and AUX setting is displayed
- FLAME Zone: Blank

THERMOSTAT ON LCD Displays:

- MODE Zone: THERMO and ON are displayed
- ROOM TEMP Zone: Measured temperature is displayed
- SET TEMP Zone: SET TEMP is displayed
- LIGHT Zone: LIGHT and light setting level is displayed
- FAN Zone: FAN and fan setting level is displayed
- TIME/PROG Zone: Current day indicator and current time is displayed
- AUX Zone: AUX and AUX setting is displayed
- FLAME Zone: A Flame Icon and flame setting level number is displayed

Program OFF LCD Displays:

- MODE Zone: OFF

- ROOM TEMP Zone: Measured temperature is displayed
- SET TEMP Zone: Blank
- LIGHT Zone: LIGHT and light setting level is displayed
- FAN Zone: Blank
- TIME/PROG Zone: Current day indicator, current time, and Program status (P1-OFF or P2-OFF) is displayed
- AUX Zone: AUX and AUX setting is displayed
- FLAME Zone: Blank

Program ON LCD Displays:

- MODE Zone: THERMO and either ON or OFF is displayed
- ROOM TEMP Zone: Measured temperature is displayed
- SET TEMP Zone: SET TEMP is displayed
- LIGHT Zone: LIGHT and light setting level is displayed
- FAN Zone:
 - If Thermostat is ON, FAN and fan setting number is displayed
 - If Thermostat is OFF, display is blank.
- TIME/PROG Zone: Current day indicator, current time, and Program status (P1-ON or WP2-ON) is displayed
- AUX Zone: AUX and AUX setting is displayed
- FLAME Zone:
 - If Thermostat is ON, A Flame Icon and flame setting level number is displayed.
 - If Thermostat is OFF, display is blank.

Multi-Color LED Lighting Operation

This fireplace is equipped with LED accent lights. The auxiliary function on the wireless remote will control the function of the Accent Lights. The default light color is white, and can be changed to cycle through colors, or can be set to a desired color. To activate this function, use the following procedure:

- While in any mode of operation, press the AUX Zone to enter AUX Adjustment, then press the UP or DOWN buttons to turn the AUX output ON or OFF; press the MODE/SET Button to lock it in, or wait for 15 seconds to accept the new setting; This will turn the LED lights on.
- The LED color can be changed by cycling the AUX setting ON and OFF, using the up and down arrows on the remote control.
- The initial color is white and will stay white unless another color is desired.
- If another color is desired, turn the AUX OFF and ON again and a BLUE color will appear. It will then start cycling through multiple colors and will continue to cycle unless a desired color is chosen. Once you reach your preferred color, turn the AUX OFF and ON again and the chosen color will be locked in.
- The process can be reset by turning the AUX OFF and ON again, returning the color to white.

NOTE: If the Fireplace Control loses power at any time, the color will default to WHITE.

NOTE: Color sequence: White, Blue, Green, Yellow, Red, Fuchsia and Purple.

11. Install the Glass Media

1. See **Page 30** for instructions on Installing the Glass Media.

12. Install Interior Options - See Accessory Components, **Page 36** (follow instructions included with optional accessories)

CAUTION

- Soot will be produced if the air shutter is closed too much. Any damage due to sooting, resulting from improperly setting the air shutter, is not covered under the warranty.

Non-Combustible Fireboard		
		Description
48" Models	A	Fireboard, Top (1/2" x 50-3/8" x 10-3/4")
	B	Fireboard, Bottom (1/2" x 50-3/8" x 9")
	C	Fireboard, Side (1/2" x 40-5/8" x 4-3/8")

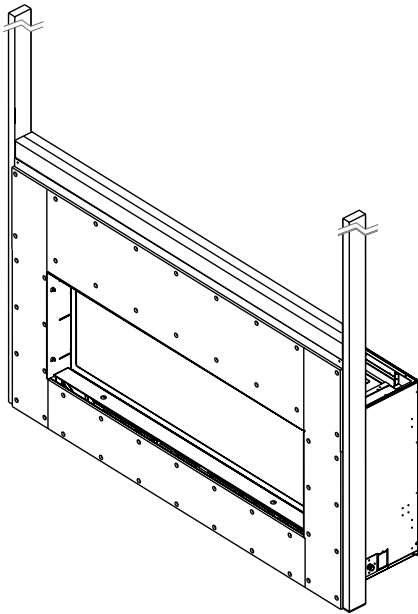
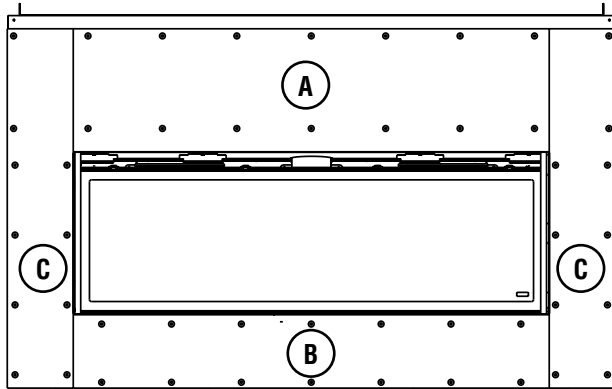


Figure 20 - Non-Combustible Fireboard

13. Installation / Re-installation of the required screen barrier assembly

Installing / Removing Barrier

1. To remove barrier, push barrier top up to slide it up then slide down pulling barrier out (see **Figure 21**).
2. Install the barrier by sliding in into the top channel with the flat side toward the fireplace, then swinging the base of the barrier into the bottom channel and lowering it into place (see **Figure 21**).

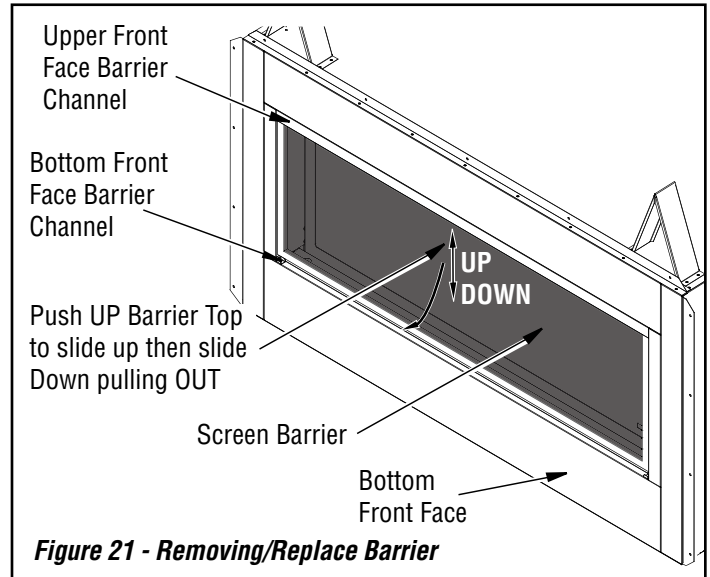


Figure 21 - Removing/Replace Barrier

OPERATION

WARNING

Young children should be carefully supervised when they are in the same room as the appliance. Toddlers, young children and others may be susceptible to accidental contact burns. A physical barrier is recommended if there are at risk individuals in the house. To restrict access to a fireplace or stove, install an adjustable safety gate to keep toddlers, young children and other at risk individuals out of the room and away from hot surfaces.

WARNING

Reinstall any barrier removed before operating the fireplace. The barrier is designed to reduce the risk of burns from hot glass. Do not operate the fireplace without the barrier installed.

CARBON MONOXIDE POISONING: Early signs of carbon monoxide poisoning are similar to the flu with headaches, dizziness and/or nausea. If you have these signs, obtain fresh air immediately. Turn off the gas supply to the appliance and have it serviced by a qualified professional, as it may not be operating correctly. Some people are more affected by carbon monoxide than others, including pregnant women, people with heart or lung disease or anemia, those under the influence of alcohol, and those at high altitudes.

NOTE: Do not place furniture or other combustible materials within 36" of the front of viewing area(s).

NOTE: Children and adults should be alerted to the hazards of high surface temperature and should stay away to avoid burns or clothing ignition.

NOTE: Installation and repair should be done by a qualified service person. The fireplace should be inspected before use and at least annually by a professional service person. More frequent cleaning may be required due to excessive lint from carpeting, bedding material, etcetera. It is imperative that control compartments, burners and circulating air passageways of the fireplace be kept clean.

NOTE: Do not use these fireplaces if any part has been under water. Immediately call a qualified, professional service technician to inspect the fireplace and to replace any parts of the control system and any gas control which have been under water.

Burn-in Period

The first few times this fireplace is operated, there will be an odor from the curing of paint and the burning off of the lubricants used in the manufacturing process. Depending on usage, the burn-in period may take a few hours or a few days.

NOTE: Ventilate the site during the burn-in period. The resulting odor and haze may set off a smoke detector. Do not operate the blower during the burn-in period.

Accessing the Control Compartment

1. Turn fireplace off and let cool completely.
2. Remove screen barrier and remove the access cover.

Electronic Fireplaces

Detailed lighting instructions are found on **Page 33**. Also, electronic fireplace lighting instructions are found on the pull-out lighting instructions attached to the gas control valve.

If the electronic fireplace is equipped with a remote wall switch or remote control, the fireplace main burner can be turned ON/OFF with the wall switch or remote control.

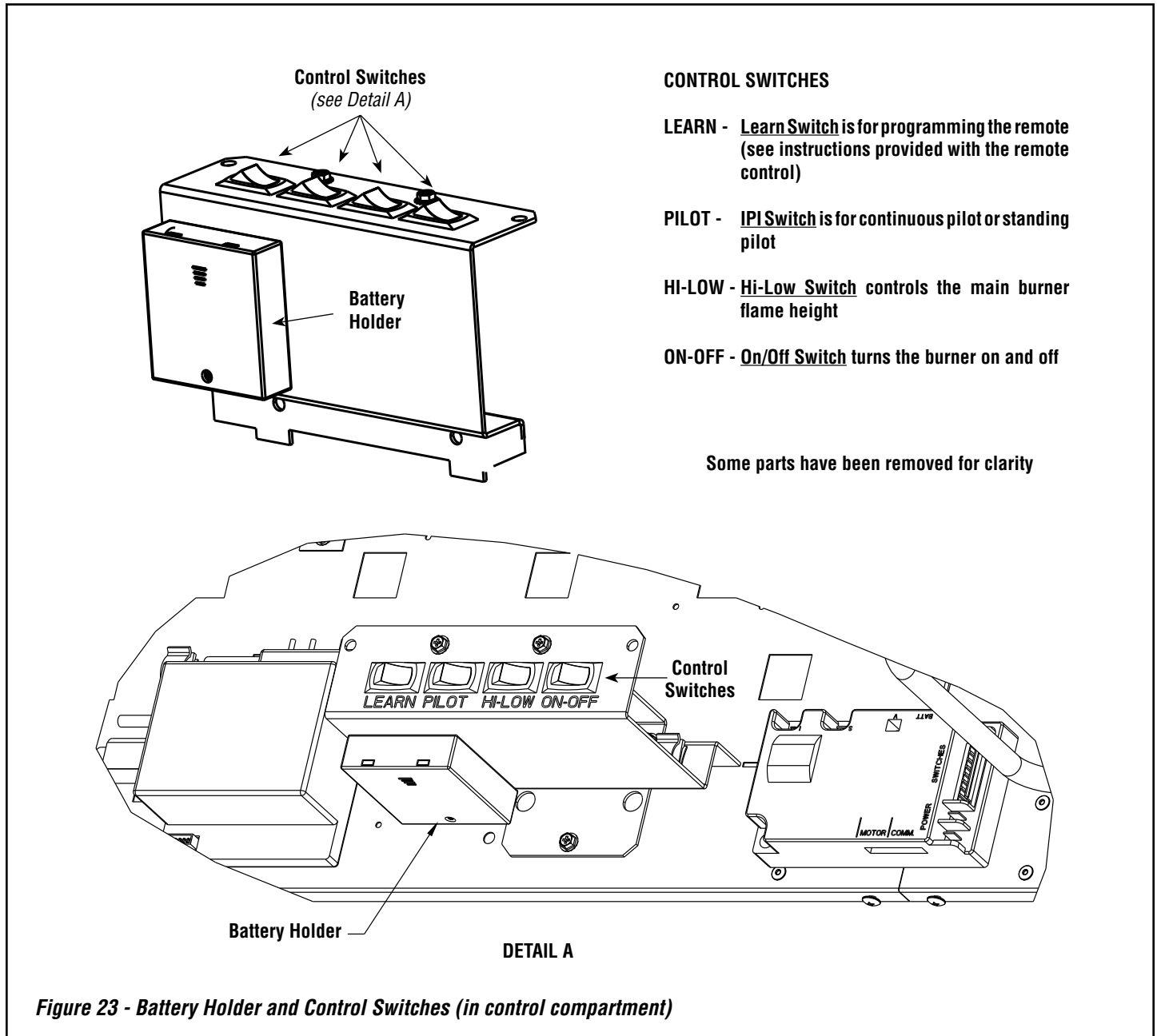
To light the fireplace in a power outage:

1. Confirm that batteries are installed in the remote control battery bay and battery holder in the control compartment.
2. Set the unit-mounted switch, or remote control is set to the ON Position.
3. The unit should spark at the pilot and light.
NOTE: If there is no spark, replace the batteries.
4. Operate the fireplace normally.

Installing the Backup Batteries

With a battery backup, electronic fireplaces can automatically switch to battery power. In the event of a power outage, this allows ON/OFF operation (without blower functionality). Install new batteries before every burn season.

1. Remove the barrier and control access cover and locate the battery holder (see **Figure 23**).
2. Install four (4) AA batteries in the battery holder (see **Figure 23**).
3. Re-install the barrier and control access cover.



Continuous Pilot Ignition Switch

Fireplaces with an electronic gas valve have a continuous pilot ignition (CPI) controlled by the remote. This switch allows the pilot to be switched from intermittent mode to continuous mode:

- Intermittent Mode—The pilot is extinguished when the fireplace is OFF.
- Continuous Mode—The pilot stays ON when the fireplace is OFF.
- To save energy—switch to intermittent mode.
- For a standing pilot switch to continuous mode.

NOTE: Continuous mode is indicated by a pilot that comes ON and remains lit when the fireplace is OFF.

Install the Glass Media

WARNING

- Turn OFF all gas and electricity to the appliance before installing the glass media.
- Do NOT install the glass media until the appliance has been completely installed, the gas line connected and tested for leaks, and the initial burner operation has been confirmed.
- Use of an unapproved media in the fireplace will void the warranty and will result in incomplete combustion, sooting, and poor flame quality.
- Glass media will get very hot and remain hot for up to one hour after the gas supply is turned OFF. Handle the glass media only when cool.
- This appliance is not designed to burn wood. Any attempt to do so could cause irreparable damage to appliance and prove hazardous.
- If the glass media is not installed according to these instructions, improper combustion could occur. This could result in the excessive production of soot and/or the colorless, odorless, toxic gas carbon monoxide (CO).

NOTE: It is important to ensure proper glass placement per the manual when installing these units. Verify pilot flame is not obstructed. See *Verifying Appliance Operation* on Page 23.

Step 1. On the front of the media tray, you will find two small finger like tabs on the right and left side. Bend all four tabs straight upward as shown (see *Figure 24A*).



Figure 24A - Bend Up Draft Shield Glass Holding Tabs

Step 2. Place draft shield glass, with the polished edge up, into tabs as shown in **Figure 24B** so that it is centered left to right. Glass should fit snugly in a vertical position. Adjust tabs as needed to achieve proper fit.



Figure 24B - Install Draft Shield Glass

Step 3. If a firebox liner kit has been purchased, install now following the instructions included in kit. Place media over the entirety of the media tray, including just behind the draft shield glass and on top of the pilot shield. No more than 8 lbs. should be used. **DO NOT PLACE MEDIA ON THE BURNER.**



Figure 25

Step 4. Once media has been placed, go over the entire media tray ensuring media is in an even layer and that there are no pieces of glass on the burner.



Figure 26

WARNING!!! No glass should be placed on burner!

! WARNING

A barrier designed to reduce the risk of burns is provided with this appliance and shall be installed.

NOTICE: All Omega DLX series fireplaces require a barrier to reduce the risk of burns. The screen barrier must be installed prior to operation. For replacement barrier, order part number F4870.

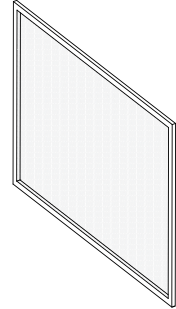


Figure 27 - Barrier

CLEANING AND MAINTENANCE

Refer to the Maintenance Schedule on **Page 32** for maintenance tasks, procedures, frequency, and a listing of by whom the tasks should be performed. Always verify proper fireplace operation after servicing.

! WARNING

Turn OFF gas and electrical power to the fireplace and allow it to cool before cleaning or servicing the appliance.

! CAUTION

Wear gloves and safety glasses for protection while doing required maintenance.

Verify proper operation after servicing.

Always turn OFF gas before cleaning. Before relighting, refer to the lighting instructions in this manual. Instructions are also found on a pull-out panel located in the control compartment.

Always keep the appliance area clear and free from combustible materials, gasoline and other flammable liquids.

Cleaning the control compartment

Keep the control compartment clean by vacuuming or brushing it out at least twice a year. More frequent cleaning may be required due to excessive lint from carpeting, bedding material, etcetera. It is imperative that control compartments, burners and circulating air passageways of the appliance be kept clean.

Touching up paint in small areas

Only use a factory-supplied paint kit for any touch-ups. Paint is available at your local IHP dealer. Never attempt to paint a hot fireplace. Do not attempt to repaint the fireplace until the finish is completely cured (*Burn-in Period on Page 26*). If the surface becomes stained or marred, it may be lightly sanded and touched up.

Cleaning the burner

Carefully remove the glass media. Vacuum out any foreign matter on the burner (e.g., lint, carbon, etc.). Ensure the burner ports are free of debris.

NOTE: Improper positioning of glass media can create carbon build-up and will alter the performance of the fireplace.

! WARNING

No glass media is to be placed on burner.

Inspecting the wiring

Refer to the wiring diagrams (*Figures 13 and 14, Pages 20 and 21*).

CAUTION

When servicing controls, label all wires prior to disconnection. Wiring errors can cause improper and dangerous operation. Verify proper operation after servicing.

Inspect and clean all wire connections. Ensure that there is no wire melting or damage. The inspection should include:

- Terminals at the valve
- All switches
- Remote control

Removing And Cleaning Media

CAUTION: Risk of personal injury. Allow media to completely cool before handling.

To remove glass media from appliance (for cleaning or replacement):

Use a clean, dry, empty shop vac.

1. Place media in colander or sieve, and carefully rinse under hot water.
2. Allow media to air dry before reinstalling.

MAINTENANCE SCHEDULE

See the tables below for detailed information about required maintenance, both regular and annual.

Maintenance Performed Annually—Before the Burning Season

Maintenance Task	Performed By	Procedure
Inspecting/Cleaning Burner, Glass Media, and Controls	Qualified Service Technician	Inspect valve and ensure it is properly operating. Check piping for leaks. Vacuum the control compartment and burner area.
Check Flame Patterns and Flame Height	Qualified Service Technician	Verify the flame pattern and height displayed by the appliance. Flames must not impinge on the glass media, logs or rocks.
Inspecting/Cleaning Pilot and Burner	Qualified Service Technician	Remove any surface build-up on pilot and burner assembly. Wipe the pilot nozzles, ignitor/flame rod and hood. Ensure the pilot flame engulfs the flame sensor as shown.
Appliance Inspection	Qualified Service Technician	Perform the appropriate appliance inspection procedure detailed in this manual.

Maintenance Performed Periodically—After the Burning Season

Maintenance Task	Performed By	Procedure
Cleaning Firebox Interior	Homeowner	Carefully remove glass media. Vacuum out interior of the firebox. Clean firebox walls. Replace glass media as detailed in this manual.
Check Flame Patterns and Flame Height	Homeowner	Verify the flame pattern and height displayed by the appliance. Flames must not impinge on the glass media, logs or rocks.

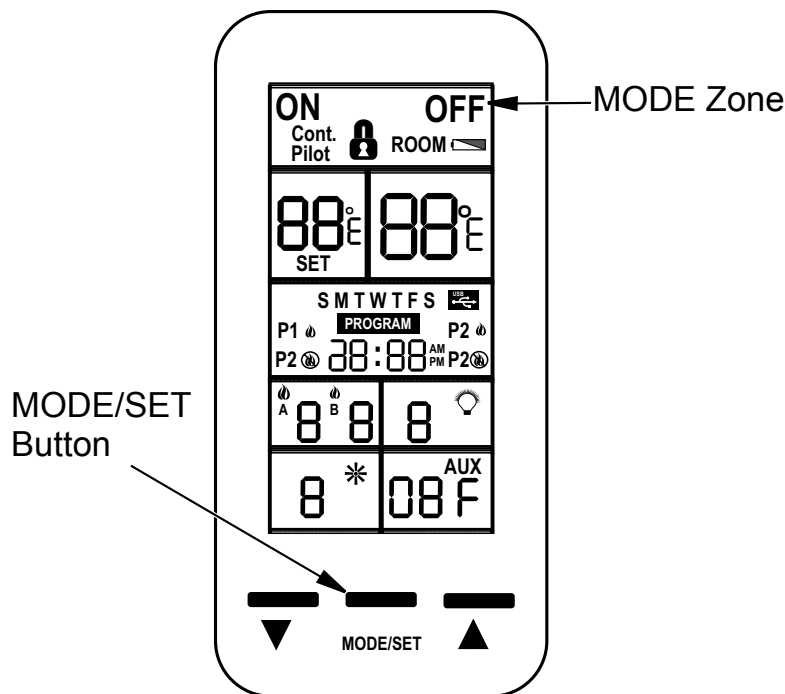
LIGHTING INSTRUCTIONS, ELECTRONIC

LIGHTING INSTRUCTIONS

This appliance requires 120V electricity for normal operation. Control module and back lights should be plugged into electrical outlet located underneath firebox bottom. Back up battery supply is available for power outages.

1. STOP! Read the safety information on other side of this plate and on front and back of warnings plate.
2. Make sure manual shutoff valve is fully open.
3. Press any button on the remote to power the remote on. If you see a Lock icon in the upper middle of the screen you will need to unlock the screen.
4. Press ON/OFF button and burners will come on in the high position. It may take a few seconds before the burner ignites. You will hear a beep from the receiver unit confirming the command and the pilot will start to spark before lighting. Refer to owner's manual for full operating instructions.

Note: *You may be running this heater for the first time after hooking up to gas supply. If so, you may have to restart the unit several of times to allow the air to bleed from the system.*



TO TURN OFF GAS TO APPLIANCE

Shutting Off Heater

1. Press ON/OFF button and burners will turn off. You will hear a beep from the receiver unit confirming the command.

WARNING: Do not convert heater to use different fuel type. Only use heater with fuel type specified.

- ⚠️ WARNING: If you smell gas**
- **Shut off gas supply.**
 - **Do not try to light any appliance.**
 - **Do not touch any electrical switch; do not use any phone in your building.**
 - **Immediately call your gas supplier from a neighbor's phone. Follow the gas supplier's instructions.**
 - **If you cannot reach your gas supplier, call the fire department.**

TROUBLESHOOTING ELECTRONIC SYSTEMS

Before troubleshooting, ensure that the fireplace main line gas shutoff valve and the wall switch are in the ON position. The following troubleshoots the fireplace only to an elementary level. For detailed remote and ignition system troubleshooting, refer to the instructions provided with the remote.

Detailed valve system troubleshooting should only be performed by a qualified service technician.

SYMPTOM	POSSIBLE CAUSES	CORRECTIVE ACTION
1. Nothing happens when the fireplace is turned ON/OFF.	a. Remote is not functioning properly.	Operate the fireplace from the unit mounted switch. Replace batteries in remote control and/or battery holder in control compartment.
	b. Gas is not reaching the fireplace.	Check the gas supply and gas shutoff valves. *
	c. Unit is not receiving power.	Check/replace backup batteries.
		Replace unit battery backup. Check building circuit breakers to ensure power is ON to the fireplace.
2. The main burner does not light and the igniter is sparking.	a. Gas is not reaching the fireplace.	Check the gas supply and gas shutoff valves.
	b. Loose wires to the valve.	Check control compartment for any obviously loose wiring (call a service technician, if necessary).
	c. Loose wires to ignition module.	Check control compartment for any obviously loose wiring (call a service technician, if necessary).
	d. Air in the gas line.	Purge gas line of air (call a service technician if required).
	e. Unit is not receiving power.	Replace unit battery backup.
3. The main Burner comes on but then goes out.	a. Gas is not reaching the fireplace.	Check the gas supply and gas shutoff valves.
	b. Loose wires to the valve or ignition module.	Check control compartment for any obviously loose wiring (call a service technician, if necessary).
	c. Pilot flame is not engulfing the sensor.	Call a service technician.
4. Soot is present on the glass media.	a. Flame impingement on the glass media.	Properly position the glass media as detailed on Page 28 . No media should be in contact with the burner or flames.
5. Burner will not shut off.	a. Remote does not function.	Replace batteries in remote control. Replace remote control.
	b. Remote is lost.	Shut off gas at shutoff valve or if equipped, with optional wall switch.
6. Heater produces a clicking/ticking noise just after burners are lit or shut off.	a. Metal expanding while heating or contracting while cooling.	This is normal with most heaters. If noise is excessive, contact qualified service person.
7. Heater produces unwanted odors.	a. Heater burning vapors from paint, hair spray, glues, cleaners, chemicals, new carpet, etc. (See IMPORTANT statement above).	Open window to ventilate room. Stop using odor causing products while heater is running.
	b. Low fuel supply (propane/LP only).	Refill supply tank (propane/LP only).
	c. Gas leak. See Warning statement at top of page.	Locate and correct all leaks (see Checking Gas Connections, Page 22).

*The unit may have multiple gas supply shutoffs (the main gas supply valve in the house, the gas supply valve in the fireplace control compartment, and/or an additional shutoff valve near the fireplace).

- ⚠ WARNING: If you smell gas**
- **Shut off gas supply.**
 - **Do not try to light any appliance.**
 - **Do not touch any electrical switch; do not use any phone in your building.**
 - **Immediately call your gas supplier from a neighbor’s phone. Follow the gas supplier’s instructions.**
 - **If you cannot reach your gas supplier, call the fire department.**

TROUBLESHOOTING ELECTRONIC SYSTEMS - CONTINUED

Before troubleshooting, ensure that the fireplace main line gas shutoff valve and the wall switch are in the ON position. The following troubleshoots the fireplace only to an elementary level. For detailed remote and ignition system troubleshooting, refer to the instructions provided with the remote.

Detailed valve system troubleshooting should only be performed by a qualified service technician.

SYMPTOM	POSSIBLE CAUSES	CORRECTIVE ACTION
8. Heater shuts off in use (ODS operates).	a. Not enough fresh air is available.	Open window and/or door for ventilation.
	b. Low line pressure.	Contact local natural or propane/LP gas company.
	c. ODS/pilot is partially clogged.	Clean ODS/pilot (see, <i>Cleaning and Maintenance, Page 31</i>).
9. Gas odor even when control knob is in OFF position.	a. Gas leak, See Warning statement at top of Page.	Locate and correct all leaks (see <i>Checking Gas Connections, Page 22</i>).
	b. Control valve or gas control defective.	Replace control valve or gas control.
10. Gas odor during combustion.	a. Foreign matter between control valve and burner.	Take apart gas tubing and remove foreign matter.
	b. Gas leak. See Warning statement at top of page.	Locate and correct all gas leaks (see <i>Checking Gas Connections, Page 22</i>).

ACCESSORY COMPONENTS

Glass Media Kits

Two glass media kits (5 lb bag) of platinum is provided. If other colors are desired, choose from the attractive colors shown here. **NOTE: No more than 8 lbs should be used**

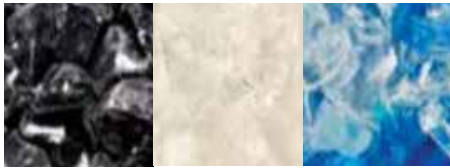


Reflective Black Reflective Blue Platinum

Glass Media Kit, 5 lb. Bag		
Cat. No.	Model	Description
H8412	CRSHGL-RBLK	Reflective Black
H8424	CRSHGL-RBLU	Reflective Blue
H8413	CRSHGL-P	Platinum

Ice Rock Media Kits

Optional ice rock media kits are available for this fireplace (sold separately - order two 5 lb. bags).



Onyx Black Diamond Crystal Sapphire Blue

Ice Rock Media Kits, 5 lb. Bag		
Cat. No.	Model	Description
F3507	GLO-BLACK	Onyx Black
F3508	GLO-CRYSTAL	Diamond Crystal
F3509	GLO-SAPPHIRE	Sapphire Blue

Touch-Up Paint Kits

Repair minor scratches and discoloration of the fireplace black painted surfaces with the touch-up paint kits.



Touch-Up Paint Kits		
Cat. No.	Model	Description
F1881	SCITPSAB	Black touch-up paint, firebox interior
F1882	SCTPSAB	Black touch-up paint, powder coat exterior

Indoor See-Thru Kit

Kit is designed to upgrade the fireplace to an Indoor See-Thru application.

NOTE: Blowers must be removed or disabled when installing a Indoor See-Thru Kit.

Indoor See-Thru Kit		
Cat. No.	Model	Description
F4854	STK-VFLIN48	48" VF Indoor See-Thru Kit

Indoor/Outdoor See-Thru Kit

Kit is designed to upgrade the fireplace to an Indoor/Outdoor See-Thru application.

Indoor/Outdoor See-Thru Kit		
Cat. No.	Model	Description
F4869	OSTK-LIN48	48" Indoor/Outdoor See-Thru Kit

River Rock Kit, 25 pieces

A decorative river rock kit is available.



River Rock Kit, 25 pieces		
Cat. No.	Model	Description
F3775	RIVROCK-25PK	River Rock Kit

Driftwood Pieces and Rock Media Kit

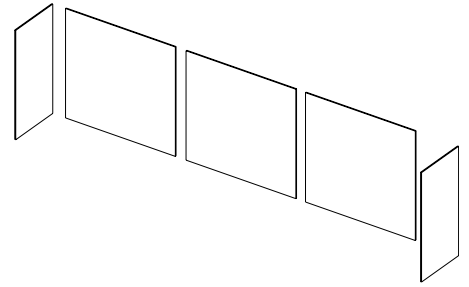
A decorative driftwood and rock combination media kit is available.



Driftwood Pieces and Rock Media Kit		
Cat. No.	Model	Description
F4908	DRFTWD-ROCK-KIT	Driftwood Pieces and Rock Media Kit

Glass Liner Kit

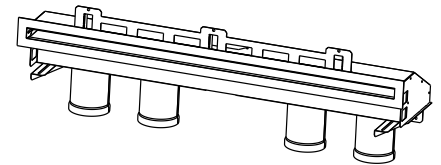
A glass liner kit is available. **NOTE: Reflective Glass Panel Kits are not compatible with See-Thru Kit**



Glass Liner Kits		
Cat. No.	Model	Description
F4850	CGLK-BLK-LIN48	Reflective Black

HeatFlo™ Kits

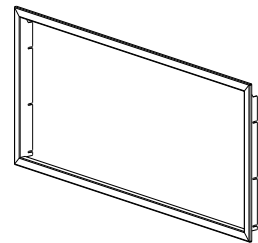
HeatFlo kits are available.



HeatFlo™ Kits		
Cat. No.	Model	Description
F4761	HTFLO-VF55	HeatFlo Kit For 48" and 55" Units
F4578	HTFLO-EK-4.5	Flex Extension Kit For HeatFlo Kits (60" Compressed)

Linear Trim Kit

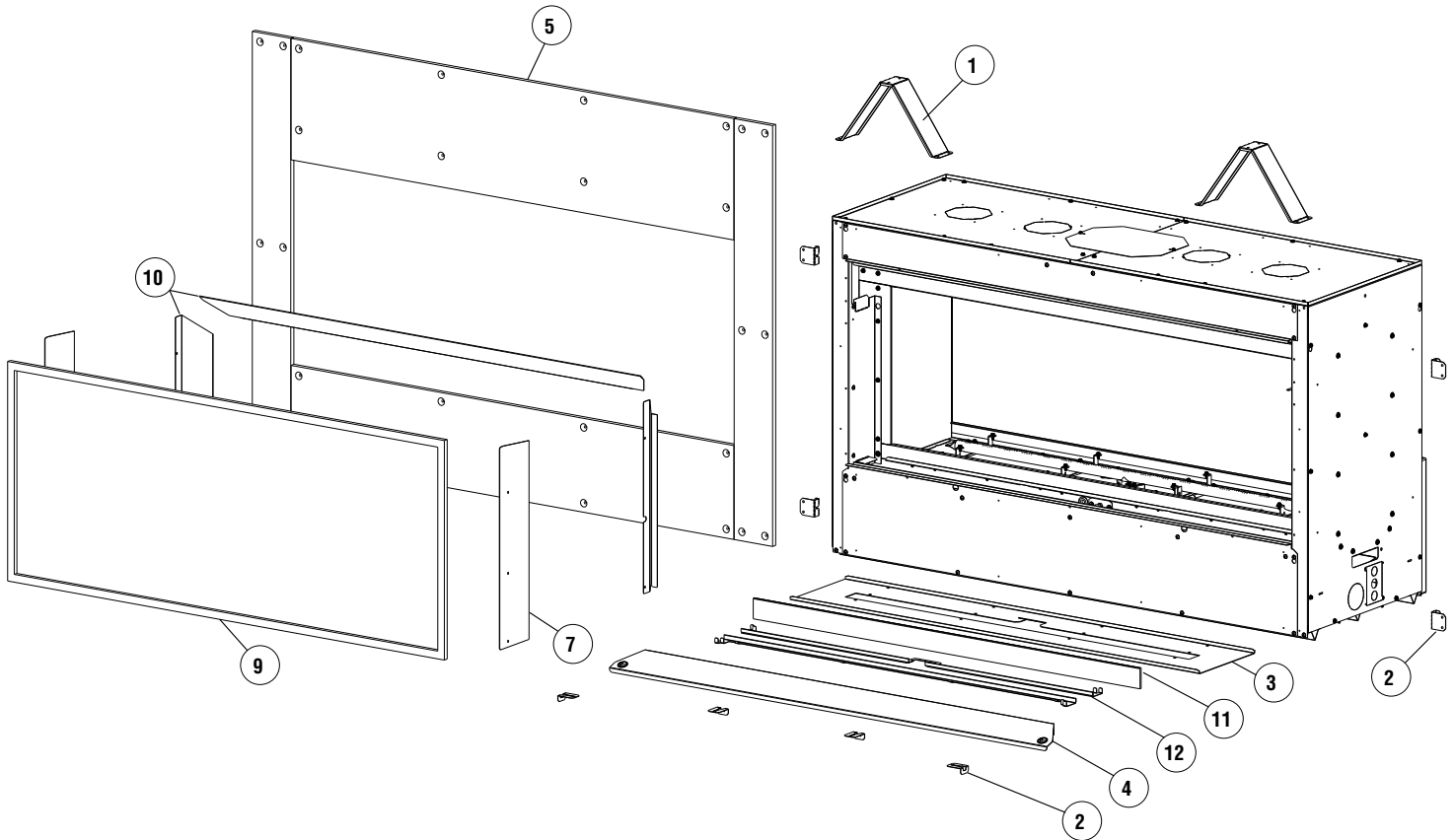
The Trim kit is intended to be used as a decorative addition to the fireplace models listed on this instruction sheet.



Linear Trim Kit		
Cat. No.	Model	Description
F4852	TRMK-BLK-LIN48	48" Trim Kit

REPLACEMENT PARTS

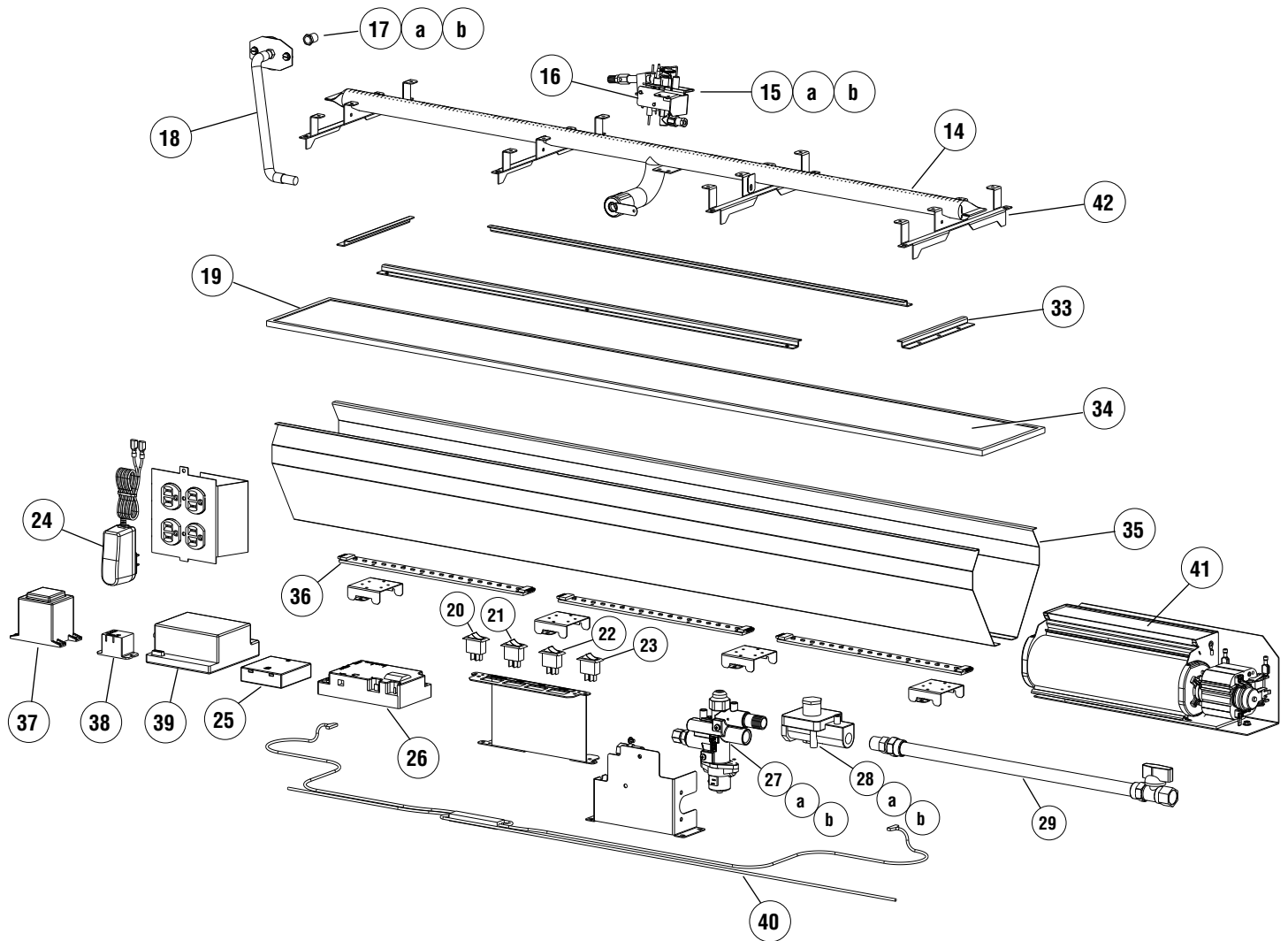
Fireplace Reference Information			
Cat. No.	Model	Description	Shipping Wt.
F4860	OmegaDLX48ZEN	48" VF SYS LinearDLX EL NG	280 lb.
F4861	OmegaDLX48ZEP	48" VF SYS LinearDLX EL LP	280 lb.



WARNING

- Never use substitute materials. Use of non-approved parts can result in poor performance and safety hazards.
- Failure to position the parts in accordance with these diagrams or failure to use only parts specifically approved with this appliance may result in property damage or personal injury.

REPLACEMENT PARTS (Continued) Omega DLX Models



REPLACEMENT PARTS (Continued)

Omega DLX Models

Item	Exterior Parts - Description	Cat. #	Qty.
	Fireplace Model -	Omega DLX 48	
1	Top Standoff, Pair	F4888	1
2	Nailing Flange Kit, 4 Pcs	F4886	1
3	Media Tray, VF48	F4874	1
4	Controls Access Cover, VF48	F4883	1
5	Fireboard Kit, 48	F4884	1
6	Firebox Liner Bracket Kit (4 Pcs)	F4890	1
7	Side Tile Stop, Pair, 48	F4881	1
9	Barrier Assembly, 48	F4870	1
10	Bezel Kit, VF48	F4891	1
11	Draft Shield Glass	F4731	1
12	Glass Shield Bracket Kit	F4889	1

Item	Accessory Parts - Description	Cat. #	Qty.
	Fireplace Model -	Omega DLX 48	
--	See-Thru Barrier Assembly <i>(Indoor See-Thru only)</i>	F4870	1
--	See-Thru Controls Access Cover <i>(Indoor See-Thru only)</i>	F4883	1
--	See-Thru Fireboard Kit	F4884	1
--	See-Thru Nailing Flange Kit, 4 Pcs	F4886	1
--	See-Thru Side Tile Stop, Pair <i>(Indoor See-Thru only)</i>	F4881	1
--	Top Standoff, Pair	F4888	1
--	Cover Plate w/ Fasteners, 4, HeatFlo	F4579	1
--	Indoor See-Thru Bezel Kit, VF48	F4891	1
--	Outdoor See-Thru Outer Bezel Assy	F4916	1
--	Outdoor See-Thru Exterior Glass Door Assy	F4917	1
--	Outdoor See-Thru Inner Glass Pane	F4918	1
--	Outdoor See-Thru Interior Glass Door Assy	F4875	1

Item	Interior Parts - Description	Cat. #	Qty.	Cat. #	Qty.
	Fireplace Model -	OmegaDLX48ZEN		OmegaDLX48ZEP	
14	Burner Assembly, VF48	F4878	1	F4878	1
15a	Pilot Assembly, Ecoflow, NG	F2955	1	--	1
15b	Pilot Assembly, Ecoflow, LP	--	1	F2956	1
16	Pilot Bracket, 48	F4876	1	F4876	1
17a	Orifice, Main Burner, #34 (NG)	J7600	1	--	1
17b	Orifice, Main Burner, #51 (LP)	--	1	H5734	1
18	Main Orifice Gas Flex Line	F4909	1	F4909	1
--	Orifice Plate Gasket	J6850	1	J6850	1
19	Firebox Pan/Glass Floor Gasket Kit	F3857	1	F3857	1
20	Switch, Rocker, Momentary, Learn	F2964	1	F2964	1
21	Switch, Rocker, IPI/CPI	F3182	1	F3182	1
22	Switch, Rocker, Burner Hi/Lo	F3182	1	F3182	1
23	Switch, Rocker, Burner On/Off	F3182	1	F3182	1
24	AC Power Adaptor, Ecoflow	J7930	1	J7930	1
25	Battery Holder, Ecoflow	J7931	1	J7931	1
26	Control Module, Ecoflow	F2960	1	F2960	1
27a	Gas Valve, Ecoflow, NG	F4626	1	--	1
27b	Gas Valve, Ecoflow, LP	--	1	F4910	1
28a	Regulator, Ecoflow, NG	F4653	1	--	1
28b	Regulator, Ecoflow, LP	--	1	F4654	1
29	Gas Flex Line w/ Shutoff, 18"	J4533	1	J4533	1
33	Glass Floor Retaining Bracket Kit	F4598	1	F4598	1
34	Glass Floor with Gasket Tape, 48	F4879	1	F4879	1
35	LED Reflective Shield Kit, 48	F4880	1	F4880	1
36	LED Light Strip, 12" (2 pack)	F4602	2	F4602	2
37	LED Power Adaptor	F4422	1	F4422	1
38	LED Relay Kit with Harness	F4678	1	F4678	1
39	Extension Module, Ecoflow	F2693	1	F2693	1
40	Harness, LED Controller	F4423	1	F4423	1
41	Blower Assembly, Single	F3866	1	F3866	1
42	Burner and Media Tray Brkt Kit, 48	F4892	1	F4892	1
--	Harness, Module to Switches, Ecoflow	F2690	1	F2690	1
--	Ecoflow V Wire	J7933	1	J7933	1
--	Black Touch-Up Paint, Powder Coat (ext.)	F1882	1	F1882	1
--	Black Touch-Up Paint, Satin (interior)	F1881	1	F1881	1
--	EcoFlow Touchscreen Remote Control	F2689	1	F2689	1

Innovative Hearth Products Astria® Brand Gas Fireplace Limited Lifetime Warranty

THE WARRANTY

Innovative Hearth Products ("IHP") Limited Lifetime Warranty warrants your Astria® brand gas fireplace ("Product") to be free from defects in materials and workmanship at the time of manufacture. The product body, firebox and barrier carry the Limited Lifetime Warranty. Ceramic glass carries the Limited Lifetime Warranty against thermal breakage only. After installation, if covered components manufactured by IHP are found to be defective in materials or workmanship during the Limited Lifetime Warranty period and while the Product remains at the site of the original installation, IHP will, at its option, repair or replace the covered components. If repair or replacement is not commercially practical, IHP will, at its option, refund the purchase price or wholesale price of the IHP product, whichever is applicable. IHP will also pay IHP prevailing labor rates, as determined in its sole discretion, incurred in repairing or replacing such components for up to five years. THERE ARE EXCLUSIONS AND LIMITATIONS to this Limited Lifetime Warranty as described herein.

COVERAGE COMMENCEMENT DATE

Warranty coverage begins on the date of purchase. In the case of new home construction, warranty coverage begins on the date of first occupancy of the dwelling or six months after the sale of the Product by an independent IHP dealer/distributor, whichever occurs earlier. The warranty shall commence no later than 24 months following the date of product shipment from IHP, regardless of the installation or occupancy date.

EXCLUSIONS AND LIMITATIONS

This Limited Lifetime Warranty applies only if the Product is installed in the United States or Canada and only if operated and maintained in accordance with the printed instructions accompanying the Product and in compliance with all applicable installation and building codes and good trade practices.

This warranty is non-transferable and extends to the original owner only. The Product must be purchased through a listed supplier of IHP and proof of purchase must be provided. The product body, firebox and barrier carry the Limited Lifetime Warranty from the date of installation. Vent components, trim components and paint are excluded from this Limited Lifetime Warranty. The following do not carry the Limited Lifetime Warranty but are warranted as follows:

Burner – Repair or replacement for five years from the date of installation

Gas components & electrical components – Repair or replacement for one year from the date of installation

Gaskets – Repair or replacement for one year from the date of installation

Gold & nickel plating - Replacement for two years from date of installation. Excludes tarnishing

Labor coverage – Prevailing IHP labor rates apply for the warranty period of the component

Light bulbs & batteries – Replacement for 90 days from the date of installation

Logs – Replacement for five years from the date of installation against thermal breakage only

Optional blowers & remote controls – Repair or replacement for one year from the date of installation

Optional glass doors & optional glass accessories – Repair or replacement for 90 days from the date of installation

Optional surrounds – Stone/Natural Materials: Replacement for one year against cracking or breakage due to thermal stress. Other Materials: Replacement for one year. Excludes surface and hairline cracks and scratches or slight color changes that do not affect the operation or safety of the unit

Tempered Glass -Replacement for one year from the date of installation

Parts not otherwise listed carry a 90 day warranty from the date of installation.

Whenever practicable, IHP will provide replacement parts, if available, for a period of 10 years from the last date of manufacture of the Product.

IHP will not be responsible for: (a) damages caused by normal wear and tear, accident, riot, fire, flood or acts of God; (b) damages caused by abuse, negligence, misuse, or unauthorized alteration or repair of the Product affecting its stability or performance (The Product must be subjected to normal use. The Product is designed to burn either natural or propane gas only. Burning conventional fuels such as wood, coal or any other solid fuel will cause damage to the Product, will produce excessive temperatures and could result in a fire hazard.); (c) damages caused by failing to provide proper maintenance and service in accordance with the instructions provided with the Product; (d) damages, repairs or inefficiency resulting from faulty installation or application of the Product.

IHP is not responsible for inadequate fireplace system draft caused by air conditioning and heating systems, mechanical ventilation systems, or general construction conditions which may generate negative pressure in the room in which the appliance is installed. Additionally IHP assumes no responsibility for drafting conditions caused by venting configurations, adjoining trees or buildings, adverse wind conditions or unusual environmental factors and conditions that affect the operation of the unit.

This Limited Lifetime Warranty covers only parts and labor as provided herein. In no case shall IHP be responsible for materials, components or construction, which are not manufactured or supplied by IHP or for the labor necessary to install, repair or remove such materials, components or construction. Additional utility bills incurred due to any malfunction or defect in equipment are not covered by this warranty. All replacement or repair components will be shipped F.O.B. from the nearest stocking IHP factory.

LIMITATION ON LIABILITY

It is expressly agreed and understood that IHP's sole obligation and the purchaser's exclusive remedy under this warranty, under any other warranty, expressed or implied, in contract, tort or otherwise, shall be limited to replacement, repair, or refund, as specified herein.

In no event shall IHP be liable for any incidental or consequential damages caused by defects in the Product, whether such damage occurs or is discovered before or after repair or replacement, and whether such damage is caused by IHP's negligence. IHP has not made and does not make any representation or warranty of fitness for a particular use or purpose, and there is no implied condition of fitness for a particular use or purpose.

IHP makes no expressed warranties except as stated in this Limited Lifetime Warranty. The duration of any implied warranty is limited to the duration of this expressed warranty.

No one is authorized to change this Limited Lifetime Warranty or to create for IHP any other obligation or liability in connection with the Product. Some states and provinces do not allow the exclusion or limitation of incidental or consequential damages, so the above limitations or exclusions may not apply to you. The provisions of this Limited Lifetime Warranty are in addition to and not a modification of or subtraction from any statutory warranties and other rights and remedies provided by law.

INVESTIGATION OF CLAIMS AGAINST WARRANTY

IHP reserves the right to investigate any and all claims against this Limited Lifetime Warranty and to decide, in its sole discretion, upon the method of settlement.

To receive the benefits and advantages described in this Limited Lifetime Warranty, the appliance must be installed and repaired by a licensed contractor approved by IHP.

Contact IHP at the address provided herein to obtain a listing of approved dealers/distributors. **IHP shall in no event be responsible for any warranty work done by a contractor that is not approved without first obtaining IHP's prior written consent.**

HOW TO REGISTER A CLAIM AGAINST WARRANTY

In order for any claim under this warranty to be valid, you must contact the IHP dealer/distributor from which you purchased the product. If you cannot locate the dealer/distributor, then you must notify IHP in writing. IHP must be notified of the claimed defect in writing within 90 days of the date of failure. Notices should be directed to the IHP Warranty Department at 1769 East Lawrence Street; Russellville, AL 35654 or visit our website at WWW.ASTRIA.US.COM.

Astria.us.com

Record the following important information about your fireplace:

Fireplace model number	
Fireplace serial number	
Date fireplace was Installed	
Type of gas fireplace uses	
Dealer name	

Innovative Hearth Products (IHP) reserves the right to make changes at any time, without notice, in design, materials, specifications, prices and also to discontinue colors, styles and products. Consult your local distributor for fireplace code information.

