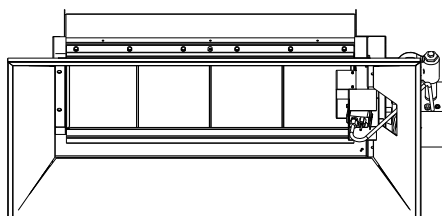




INSTALLATION AND OPERATION INSTRUCTIONS

OWNER / INSTALLER: For your safety this manual must be carefully and thoroughly read and understood before installing, operating or servicing this heater.



STARGLO MILLIVOLT SERIES INFRARED RADIANT CERAMIC HEATER

Models: SGM3, SGM6, SGM10
UNVENTED (For Indoor Installation Only)

! INSTALLER: This manual is the property of the owner. Please present this manual to the owner when you leave the job site.

⚠ WARNING

Improper installation, adjustment, alteration, service, or maintenance can cause property damage, injury or death. Read the installation, operation and maintenance instructions thoroughly before installing or servicing this heater.

In locations used for the storage of combustible materials, signs must be posted to specify the maximum permissible stacking height to maintain the required clearances from the heater to the combustibles. Signs must either be posted adjacent to the heater thermostats or in the absence of such thermostats, in a conspicuous location.

⚠ WARNING NOT FOR RESIDENTIAL USE.

This heater is not approved in any residential application. This includes (but is not limited to) the home, living quarters, attached garages, etc. Installation in residential indoor spaces may result in property damage, asphyxiation, and serious injury or death.

!IMPORTANT: SAVE THIS MANUAL FOR FUTURE REFERENCE.

SUNSTAR HEATING PRODUCTS, INC.

Post Office Box 36271 (28236) • 306 West Tremont Avenue (28203) • Charlotte, North Carolina
Phone (704) 372-3486 - www.sunstarheaters.com - email: info@sunstarheaters.com

**CAUTION****WHAT TO DO IF YOU SMELL GAS:**

- ! **DO NOT** try to light any appliance. Extinguish any open flame. Open windows.
- ! **DO NOT** touch any electrical switch. **DO NOT** use any telephone in your building.
- ! **Immediately** call your gas supplier from a neighbor's telephone. Follow the gas supplier's instructions.
- ! **If you cannot reach your gas supplier, call the Fire Department.**

**WARNING**

- ◆ **Installation and service must be performed by a qualified installer, service agency or the gas supplier.**
- ◆ **If the information in these instructions is not followed exactly, a fire or explosion may result causing property damage, personal injury or death.**
- ◆ **DO NOT store or use gasoline or other flammable vapors and liquids in the vicinity of this or any other appliance.**

**WARNING:**

This product can expose you to chemicals including ceramic fibers, which are known to the State of California to cause cancer, and carbon monoxide, which is known to the State of California to cause birth defects or other reproductive harm. For more information go to www.p65warnings.ca.gov.

TABLE OF CONTENTS

<u>SECTION</u>	<u>DESCRIPTION</u>	<u>PAGE</u>	<u>SECTION</u>	<u>DESCRIPTION</u>	<u>PAGE</u>
1)	Safety	2	10)	Instructions for Pressure Test Gauge Connection .	10
2)	Installer Responsibility	2	11)	Thermostat Wiring Installations.....	12
3)	General Information.....	2	12)	Ventilation.....	12
4)	Minimum Clearances To Combustibles	4	13)	Lighting and Shutdown Instructions.....	13
5)	SGM Specifications	6	14)	Cleaning and Annual Maintenance	14
6)	SGM Dimensions	7	15)	Replacing Parts.....	15
7)	Hanging.....	7	16)	Installation Data	15
8)	Optional Parabolic Reflector Extension Assembly	8	17)	Replacement Parts Guide	16
9)	Gas Connections and Regulation	8	18)	Warning Card	22

This heater complies with ANSI Z83.19 (current standard) and CSA 2.35. Copies of the National Fuel Gas Code (ANSI Z223.1-latest edition) are available from the CSA at 8501 East Pleasant Valley Road, Cleveland, Ohio 44131 or 55 Scarsdale Road, Don Mills, Ontario M3B 2R3. All NFPA codes are available from the National Fire Protection Association, Batterymarch Park, Quincy, Massachusetts 02269.

1) SAFETY

This heater is a self-contained infrared radiant ceramic heater. Safety information required during installation and operation of this heater is provided in this manual and the labels on the product. The installation, service and maintenance of this heater must be performed by a contractor qualified in the installation and service of gas fired heating equipment.

All personnel in contact with the heater must read and understand all safety information, instructions and labels before operation. The following symbols will be used in this manual to indicate important safety information.

WARNING

Warning instructions must be followed to prevent or avoid hazards which may cause serious injury, property damage or death.

CAUTION

Caution instructions must be followed to prevent incorrect operation or installation of the heater which may cause minor injury or property damage.

2) INSTALLER RESPONSIBILITY

The installer is responsible for the following:

- The heater installation, electrical and gas supplies must be installed in accordance with these installation instructions and any applicable codes and regulations.
- Every heater shall be located with respect to building construction and other equipment so as to permit access to the heater.
- Each installer must follow the clearances to combustible materials for the heaters.
- Install the heater so that the supports and hangers are correctly spaced in accordance with these instructions. The heater must be supported by materials having a working load limit of at least 87lbs.
- Supply the owner with a copy of these Installation and Operation Instructions.
- Gravity or mechanical means shall be provided to supply and exhaust at least 4 CFM per 1,000 Btu/hr input of installed heaters.
- Never use the heater as a support for a ladder or other access equipment. Do not hang anything from the heater.
- Supply all installation materials necessary that are not included with the heater.
- Check the nameplate to make sure that the burner is correct for the gas type in the building.

3) GENERAL INFORMATION

This heater is a self-contained infrared radiant ceramic heater for use in locations where flammable gases or vapors are not generally present (as defined by OSHA acceptable limits) and is intended for the heating of **nonresidential spaces**.

"For indoor installation only. Not for use in residential dwellings."

«Installation à l'intérieur seulement. Ne pas installer dans un logement.»

WARNING



NOT FOR RESIDENTIAL USE

Installation of an infrared heater system in residential indoor spaces, attached garages, living quarters, solariums, RV's, mobile homes, etc. may result in property damage, asphyxiation, fire, serious injury or death.

SAFETY REQUIREMENTS

- The heater area must be kept clear and free from combustible materials, gasoline and other flammable vapors and liquids.
- This heater is designed for use with one type of gas (PROPANE or NATURAL). Make sure that the type of gas to be supplied to this heater matches that shown on the heater rating plate.
- **DO NOT** install this heater directly onto a PROPANE container or propane cylinder without directions from your propane company. PROPANE containers (propane cylinders) must not be stored indoors or in the vicinity of any gas-burning appliance.
- Building owner and occupants should be alerted to the hazards of high surface temperatures and should stay away to avoid burns or clothing ignition.
- Clothing or other flammable materials should not be hung from the heater or placed on or near the heater.
- NEVER attempt to service the heater while it is plugged in, operating or hot. Any guard or other protective device removed for servicing a heater must be replaced prior to operating the heater.
- Installation and repair should be done by a licensed contractor qualified in the installation and service of gas heating equipment. The heater should be inspected before use and at least annually by a qualified service person. More frequent cleaning may be required as necessary. It is imperative that the control compartment, air passageways and burner of the heater be kept clean.

INSTALLATION REQUIREMENTS

Installation of this heater must conform with local building codes or, in the absence of local codes, with the National Fuel Gas Code, ANSI Z223.1./NFPA 54, or the Natural Gas and Propane Installation Code, CSA B149.1. In Canada, the installation must conform to current CSA B149.1 (The Natural Gas and Propane Installation Code) in the absence of local codes. Heaters shall be installed by a licensed contractor or licensed installer. **Clearances to combustibles as outlined in this manual should always be observed. In areas used for storage of combustible materials where they may be stacked below the heater, NFPA54 requires that the installer must post signs that will “specify the maximum permissible stacking height to maintain the required clearances from the heater to combustibles.”**

Every heater shall be located with respect to building construction and other equipment so as to permit access to the heater. Each installer shall use quality installation practices when locating the heater and must give consideration to clearances to combustible materials, vehicles parked below, lights, overhead doors, storage areas with stacked materials, sprinkler heads, gas and electrical lines, and any other possible obstructions or hazards. Consideration also must be given to service accessibility.

The heater, when installed in aircraft hangars and public garages, must be installed in accordance with ANSI/NFPA 409-latest edition (Standard for Aircraft Hangars), ANSI/NFPA 88a-latest edition (Standard for Parking Structures), and ANSI/NFPA 88b-latest edition (Standard for Repair Garages) with the following clearances:

- a. At least 10 feet above the upper surfaces of wings or engine enclosures of the highest aircraft that may be housed in the hangar and at least 8 feet above the floor in shops, offices, and other sections of hangars communicating with aircraft storage or service areas.
- b. At least 8 feet above the floor in public garages. **⚠ WARNING** Minimum clearances marked on the heater must be maintained from vehicles parked below the heater.

(FOR CANADA ONLY)

- a. Installation of this appliance is to be in accordance with latest edition of CSA B149.1 (The Natural Gas and Propane Installation Code)
- b. For installation in public garages or aircraft hangars, the minimum clearances from the bottom of the infrared heater to the upper surface of the highest aircraft or vehicle shall be 50 percent greater than the certified minimum clearance, but the clearance shall not be less than 8 feet.

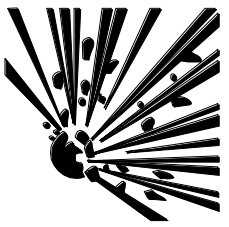

Although these heaters may be used in many applications other than space heating (e.g., process heating), **SunStar Heating Products, Inc.** will not recognize the warranty for any use other than space heating.

This heater is for Indoor Installation only and can be used in Unvented mode. The term Unvented actually means Indirect Vented. While the products of combustion are expelled into the building, national codes require 4 CFM/1000 BTU of heater input ventilation in the building to dilute these products of combustion. This ventilation may be provided by gravity or mechanical means.

This heater is not an explosion proof heater. Where the possibility of exposure to volatile and low flash point materials exists, it could result in property damage or death. This heater must not be installed in a spray booth where the heater can operate during the spraying process. Consult your local fire marshal or insurance company.

⚠ WARNING Certain materials or objects, when stored under the heater, will be subjected to radiant heat and could be seriously damaged. Observe the Minimum Clearances to Combustibles listed in the manual and on the heater at all times.

4) MINIMUM CLEARANCES TO COMBUSTIBLES

⚠ WARNING		
		FIRE AND EXPLOSION HAZARD Combustible material must be located outside the clearance dimensions listed. Failure to do so may result in death, serious injury or property damage.

⚠ WARNING		
		FIRE AND EXPLOSION HAZARD Always maintain minimum clearances and post signs where needed. Signs should state the hazards for the particular application and be legible to the building occupants. Consult the factory or a factory representative for additional information on signage compliance. Failure to do so may result in fire and/or explosion, property damage, serious injury or death.

For maximum safety the building must be evaluated for hazards before installing the heater system. Examples include, but are not limited to:

- Gas and electrical lines
- Combustible and explosive materials
- Chemical storage areas
- Areas of high chemical fume concentrations
- Provisions for accessibility to the heater
- Adequate clearances around the openings
- Combustion and ventilating air supply
- Vehicles parking areas
- Vehicles with lifts or cranes
- Storage areas with stacked materials
- Lights
- Sprinkler heads
- Overhead doors and tracks
- Dirty, contaminated environment

A critical safety factor to consider before installation is the clearances to combustible materials. Clearance to combustibles is defined as the minimum distance you must have between the infrared surface, or reflector, and the combustible item. Considerations must also be made for moving objects around the infrared heater. The following is a partial list of items to maintain clearances from:

Combustible Items Include:

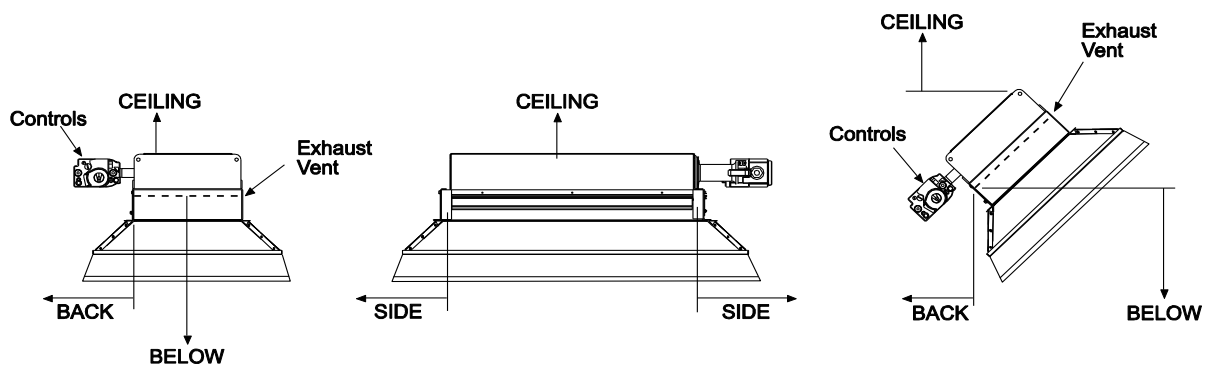
- Wood
- Paper
- Fabric
- Chemicals
- Wall or roof insulation

Moving Objects Include:

- Overhead doors
- Vehicles on lifts
- Cranes
- Hoists
- Car wash equipment

When installing the infra-red heater system, the minimum clearances to combustibles must be maintained. These distances are shown in Chart below and on the heater. If you are unsure of the potential hazards, consult your local fire marshal, fire insurance carrier or other qualified authorities on the installation of gas fired infra-red heaters for approval of the proposed installation. Install the warnings card supplied with each heater and complete the blank spaces using the clearances from combustibles table below. See Section 18 for a printed copy of the warnings card.

Minimum clearances shall be measured from the outer surfaces as shown below:



MOUNTED HORIZONTALLY								
MODEL	BACK		SIDES		CEILING		BELOW	
	BACK	BACK w/Reflector Extension	SIDES	SIDES w/Reflector Extension	CEILING	CEILING w/Reflector Extension	BELOW	BELOW w/Reflector Extension
SGM3	24"	36"	24"	36"	24"	36"	48"	126"
SGM6	36"	36"	30"	36"	36"	36"	72"	126"
SGM10	45"	48"	48"	60"	36"	36"	96"	168"

MOUNTED at 45° ANGLE								
MODEL	BACK		SIDES		CEILING		BELOW	
	BACK	BACK w/Reflector Extension	SIDES	SIDES w/Reflector Extension	CEILING	CEILING w/Reflector Extension	BELOW	BELOW w/Reflector Extension
SGM3	8"	12"	24"	36"	32"	36"	48"	126"
SGM6	12"	12"	30"	36"	36"	36"	72"	126"
SGM10	18"	12"	48"	60"	36"	36"	96"	168"

NOTE: The clearance to combustible materials noted above must be maintained at all times and the same clearance distances must be adhered to from any other materials that may be damaged by temperatures 90° F above the ambient temperature. It is the installer's responsibility to ensure that building materials with a low heat tolerance (such as plastic, vinyl siding, canvas, tri-ply etc.) which may degrade at lower temperatures are protected to prevent degradation. Clearances to combustibles are posted on the reflector near the control end of the heater.

⚠ WARNING INSTALLER

In locations used for storage of combustible materials where they may be stacked below the heater, NFPA 54 requires that the installer must post signs that will "specify the maximum permissible stacking height to maintain the required clearances from the heater to combustibles." Sunstar recommends posting these signs adjacent to the heater thermostat or other suitable location that will provide enhanced visibility. It is important to provide warnings to alert individuals of potential hazards and safety actions. Posted signs should state the hazards for the particular application and be legible to building occupants.

⚠ WARNING Fire sprinkler heads must be located at an appropriate distance from the heater. This distance may exceed the published clearance to combustibles. Certain applications will require the use of high temperature sprinkler heads or relocation of the heaters.

Sprinkler systems containing propylene glycol or other flammable substances are not to be used in conjunction with this heater without careful consideration for and avoidance of potential fire or explosion hazards. For further information consult NFPA 13. Always observe applicable state and local codes.

5) SGM SPECIFICATIONS

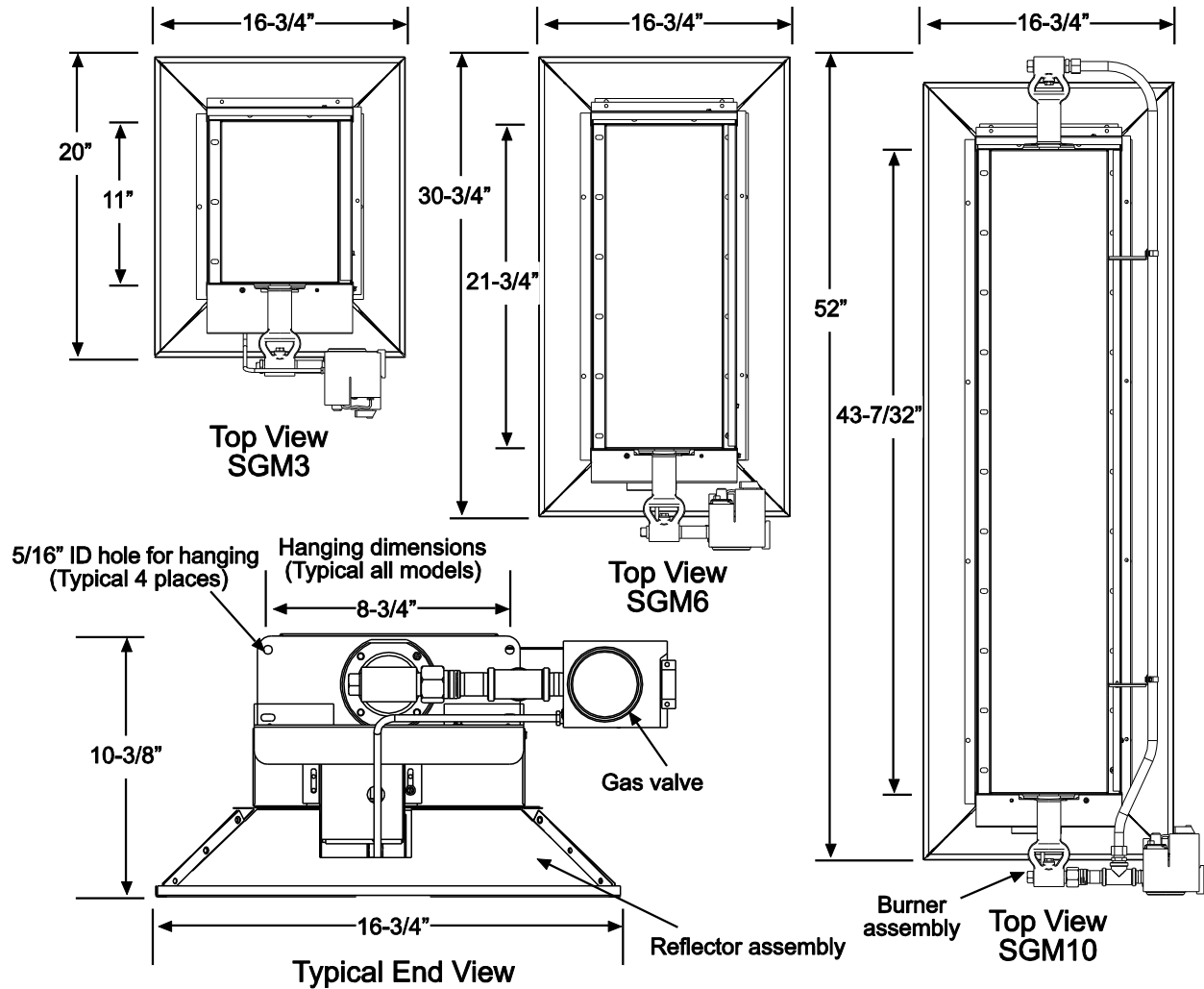
COMPLETE MODEL & SUFFIXES	GAS TYPE	INPUT BTU/HR	MINIMUM MOUNTING HEIGHT*	ORIFICE SIZE	SHIPPING WEIGHT
SGM3-N1, N1B	Natural	26,000	12 ft.	#42 (0.0935)	30 lbs.
SGM3-L1, L1B	Propane	26,000	12 ft.	#53 (0.0595)	30 lbs.
SGM6-N1A, N1B	Natural	52,000	14 ft.	#32 (0.1160)	40 lbs.
SGM6-L1, L1B	Propane	52,000	14 ft.	2 mm (.0787)	40 lbs.
SGM10-N1A, N1B	Natural	104,000	15 ft.	#32 (0.1160)	70 lbs.
SGM10-L1, L1B	Propane	104,000	15 ft.	2 mm (.0787)	70 lbs.

MODEL SUFFIXES:	
Gas Type:	Ignition System:
N = Natural L = Propane	1 = Standing Pilot (Millivolt)

REFLECTOR TYPE:	GAS-PIPE CONNECTION:
Standard or Optional Parabolic Reflector Extension	1/2" NPT (Female)

***MOUNT HEATERS AS HIGH AS POSSIBLE.** Minimums are shown as a guideline for human comfort and uniform energy distribution for complete building heating applications. Consult your SunStar representative for the particulars of your installation requirements:

6) SGM DIMENSIONS



7) HANGING

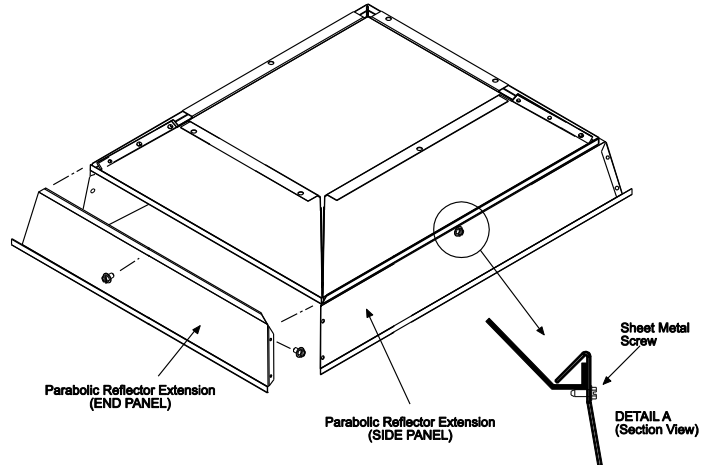
⚠ WARNING	
	<p style="text-align: center;">SUSPENSION HAZARD</p> <p>Always suspend from a permanent part of the building structure that can support the total force and weight of the heater.</p> <p>Never use the heater to support a ladder or other access equipment.</p> <p>Improper suspension of the infrared heater may result in collapse and being crushed.</p> <p>Failure to do so may result in death, serious injury or property damage.</p>

The heater can be mounted with the reflector horizontal or angled up to 45° off the horizontal. When the heater is to be angle mounted, make sure the controls are on the lower side of the heater. Coil chains (No. 2 or larger) or rigid supports may be used to mount the heater. The long axis of the heater should be level whether the heater is mounted horizontally or angled.

8) OPTIONAL PARABOLIC REFLECTOR EXTENSION ASSEMBLY

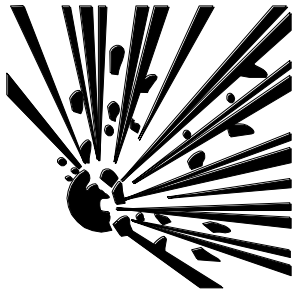
The heater is completely factory assembled and requires no field assembly. If the optional parabolic reflector extension is utilized, locate and identify the end panels and side panels as shown in the following diagram. Attach the side panels as shown. Attach the end panels so that the end flanges of the end panels overlap the side panels. Attach the side panels and end panels together with the screws provided in the kit. Attach the remaining screws as shown in Detail A. This is to ensure that the Parabolic Reflector Extension is securely attached to the reflector. The clearances to combustibles (shown on the clearance label that is secured to the reflector on the control end of the heater and in Section 4 of these instructions) must be closely observed.

Model No.	Parabolic Reflector Extension Kit Number
SGM3	#43353030
SGM6	#43353060
SGM10	#43353100



9) GAS CONNECTIONS AND REGULATION

⚠ WARNING



FIRE AND EXPLOSION HAZARD

An approved connector, suitable for the environment of equipment usage, is required. Visible or excessive swaying, flexing and vibration of the gas connections **must** be avoided to prevent failure. Neither the gas pipe nor the connector shall be placed in the "flue discharge area". In no case shall the gas supply support the weight of the heater.

Failure to do so may result in death, serious injury or property damage.

⚠ WARNING



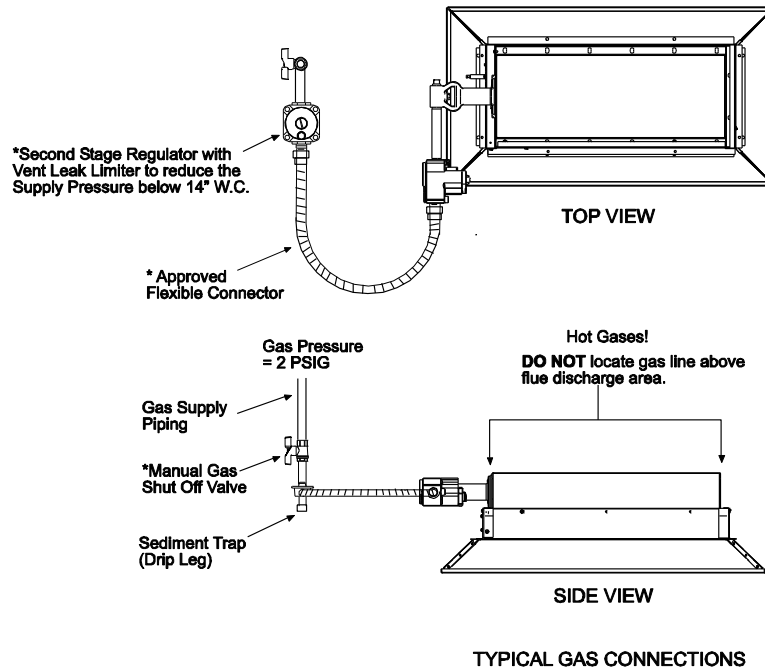
FIRE AND EXPLOSION HAZARD

Tighten flexible gas hose and components securely.

Improperly connected gas lines may result in fire, explosion, poisonous fumes, toxic gases, asphyxiation or death. Connect gas lines in accordance to national, state, provincial and local codes.

Failure to do so may result in death, serious injury or property damage.

1. Connect to the supply tank or manifold in accordance with the latest edition of National Fuel Gas Code (ANSI Z223.1), and local building codes. Authorities having jurisdiction should be consulted before the installation is made.
2. All gas supply lines must be located in accordance with the required clearances to combustibles below the heater as listed on the nameplate of the heater.
3. Pipe joint compounds must be resistant to the action of liquefied petroleum gases.
4. Where local codes do not prohibit, a CSA or U.L. approved flexible connector (minimum 5/8" I.D.) is recommended between the rigid piping and the heater. A union and an approved shut-off valve should be installed before the control valve inlet. The shut-off valve should be installed within 6 feet of the union.

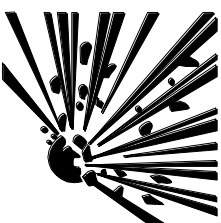


5. This appliance is equipped with a snap-opening, combination gas valve. The maximum supply pressure to the appliance is 14" W.C. or 1/2 P.S.I. If the line pressure is more than the maximum supply pressure, then use a line regulator as indicated in the following illustration, or a line regulator which corresponds to the supply pressure.
6. If a second stage regulator is used and gas seeps through it, the redundant combination gas valve is designed to lock out. Pressure build-up in the supply lines prior to the heater must be released before proper heater operation.
7. After all gas connections have been made, make sure the heater and all gas outlets are turned off before the main gas supply is turned on. Turn the gas pressure on and check for leaks. To check for leaks, apply a soapsuds solution to all connections and joints or check by one of the methods listed in Appendix D of the National Fuel Gas Code, ANSI Z223.1-(latest edition).

Certified connections are recommended to be installed as shown, in one plane, and without sharp bends, kinks or twists. The gas take off from the supply line must be parallel to the burner gas inlet connection.

If the maximum supply pressure is less than 1/2 psig, a second stage regulator is not required.

⚠ WARNING



Testing for gas leaks with an open flame or other sources of ignition may lead to a fire or explosion and cause serious injury or death. Test in accordance with NFPA or local codes.

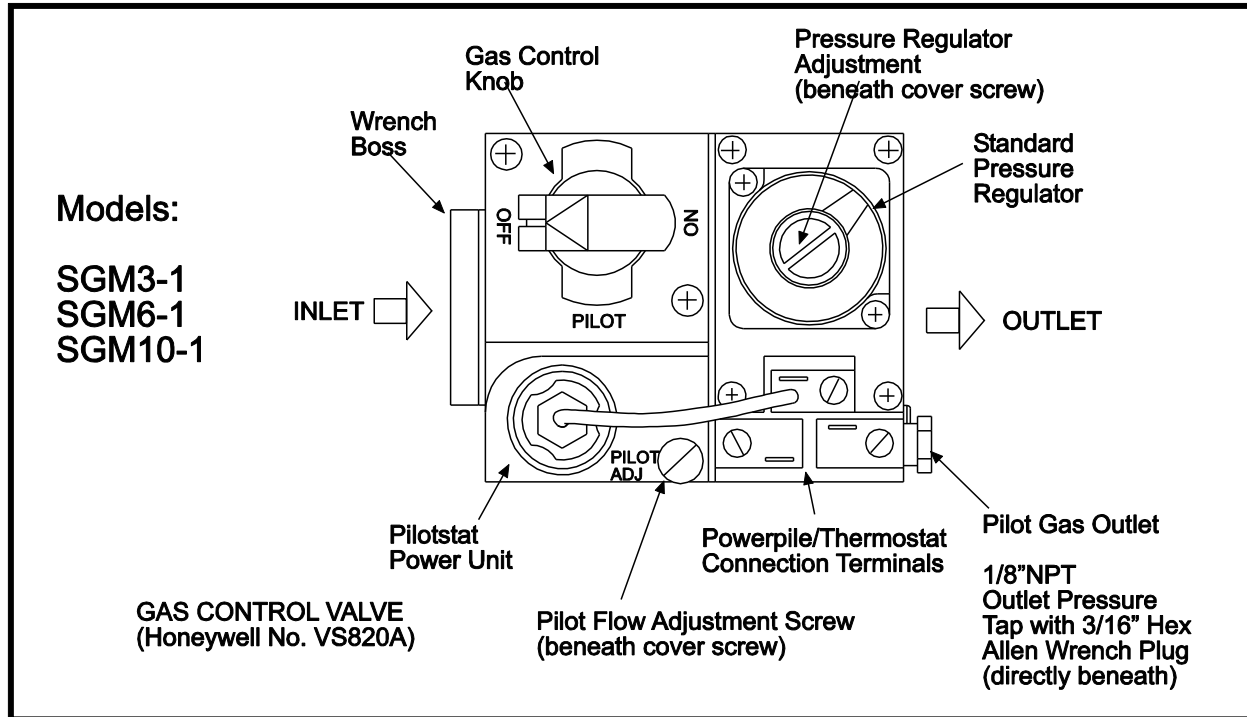
10) INSTRUCTIONS FOR PRESSURE TEST GAUGE CONNECTION

SUPPLY PRESSURE

1. The installer will provide a 1/8" N.P.T. plugged tapping, accessible for test gauge connection immediately upstream of the gas supply connection to the heater.

OUTLET GAS PRESSURE CHECK AND ADJUSTMENTS (HONEYWELL 1-STAGE GAS VALVES)

1. Turn the gas valve to the "OFF" position. Remove the 1/8" plug from the manifold downstream from the combination gas valve at one of the outlet pressure taps and connect a 1/8" nipple to the tapped hole. Connect the gauge to the nipple. Turn on the gas supply.



2. With the main burner operating, check the burner manifold pressure using a water manometer. Gauges that measure pressure in pounds per square inch are not accurate enough to measure or set the manifold pressure. All measurements **MUST BE** made when this heater and all other gas burning equipment that is connected to the gas supply system are operating at maximum capacity.
3. The combination gas valve is factory set and should not require adjustment. If full rate adjustment is required, remove the cover screw. Using a small screwdriver, turn the adjustment screw clockwise \curvearrowright to increase or counterclockwise \curvearrowleft to decrease the gas pressure to the burner. Replace the cover screw.

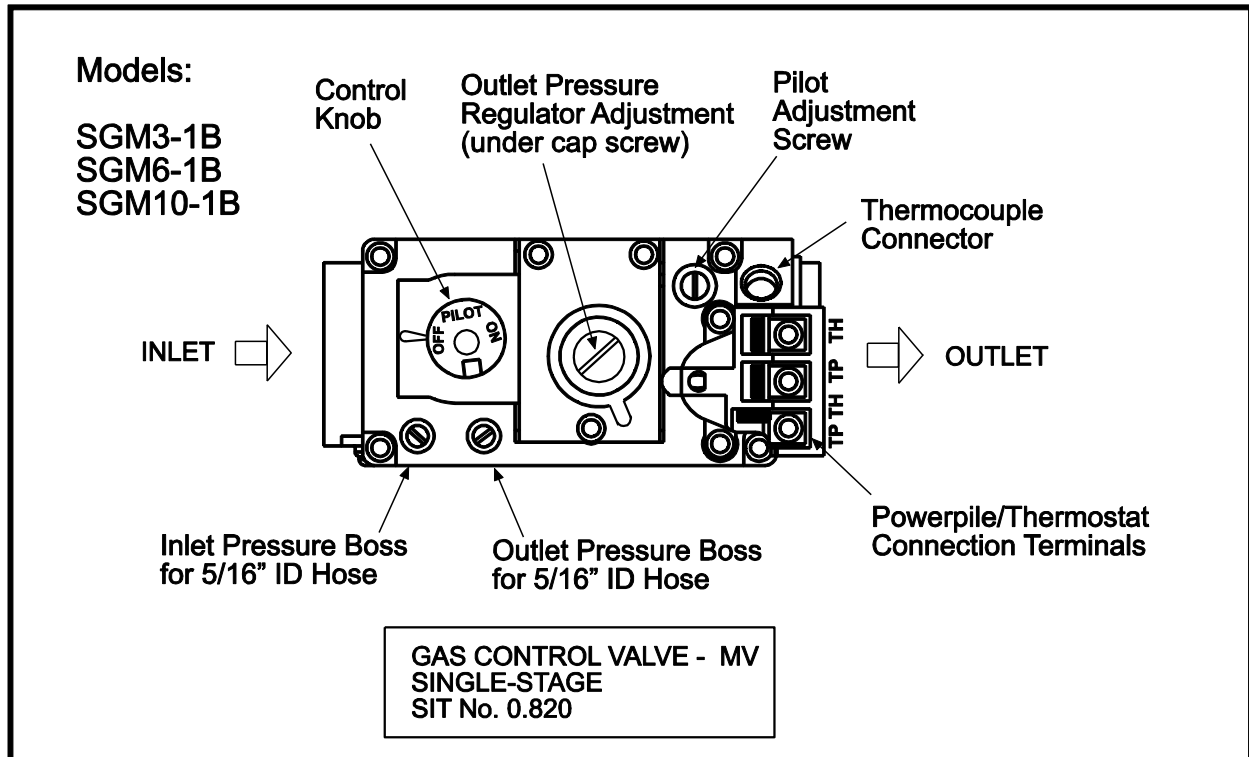
OUTLET GAS PRESSURE CHECK AND ADJUSTMENTS (SIT 1-STAGE) GAS VALVES

Gauges that measure pressure in pounds per square inch are not accurate enough to measure or set the manifold pressure. All measurements **MUST BE** made when the heater and all other gas burning equipment that is connected to the gas supply system are operating at maximum capacity. The combination gas valve is factory set and should not need adjustment. If gas pressure adjustment is required, follow the instructions:

1. Turn off all electrical power to the system to connect manometer hoses.
2. Turn the pressure test screw in the center of the boss **not more than one turn counterclockwise**. Attach a 5/16" hose and manometer over the tapered outlet pressure boss on the valve (see figure below). If regulator needs to be adjusted, see instructions below.

To Adjust Regulator (1-stage gas valves):

1. Turn on power and energize the main gas valve. Remove regulator cover screw (see figure below). Turn regulator adjustment screw **clockwise** ↻ to **increase pressure**, or **counterclockwise** ↺ to decrease pressure. Replace regulator cover screw and tighten securely.
DO NOT EXCEED THE PRESSURES SHOWN IN THE GAS PRESSURE TABLE.
2. After testing pressure and adjusting the regulator, turn off all electrical power to the system, remove manometer hoses, turn outlet test screw clockwise to seal pressure port. Tighten to 22 in lb (2.5Nm) minimum. Turn on system power.

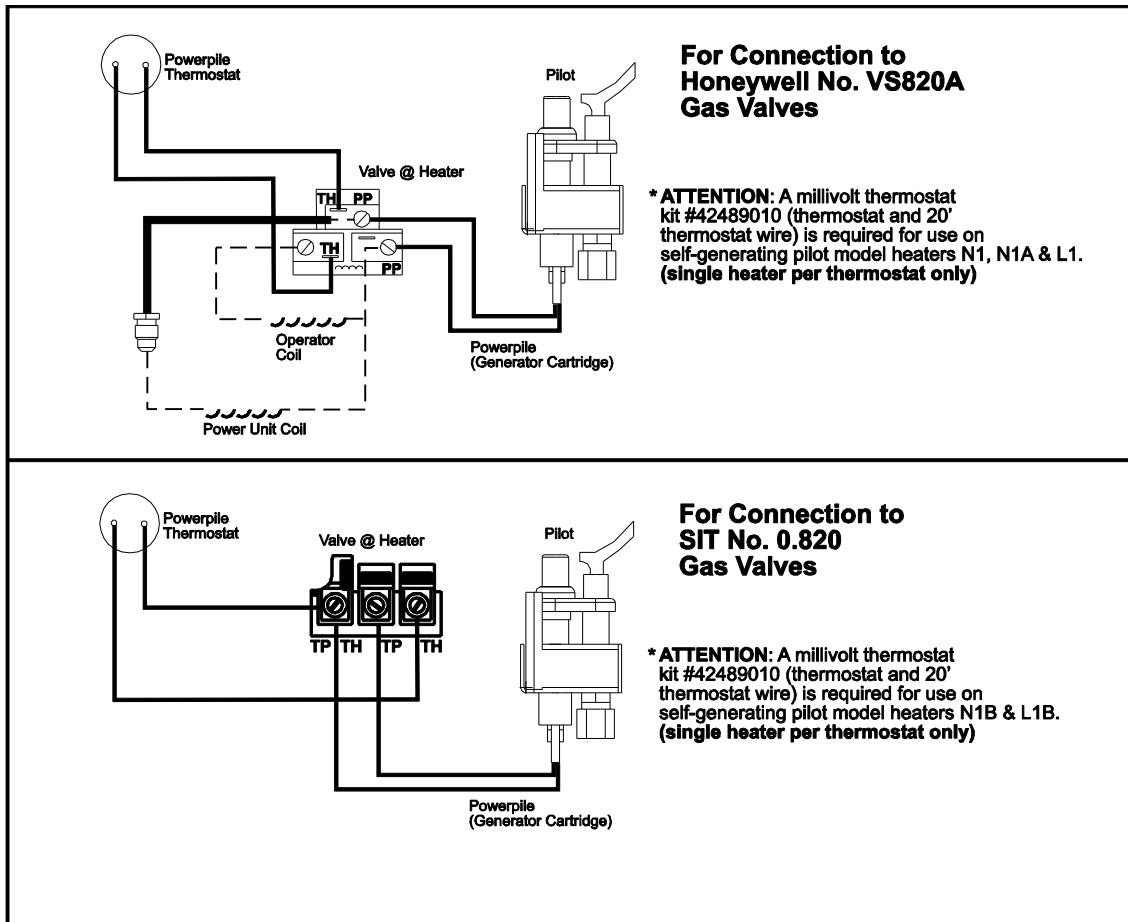


The gas pressures are shown in the following table:

GAS PRESSURE TABLE				
Model	Gas Type	Manifold Pressure	Supply Pressure	
			Minimum*	Maximum
SGM3	Natural Gas	3.5" W.C.	4.5" W.C.	14.0" W.C.
	Propane Gas	11.0" W.C.	12.0" W.C.	14.0" W.C.
SGM6 and SGM10	Natural Gas	6.0" W.C.	7.0" W.C.	14.0" W.C.
	Propane Gas	11.0" W.C.	12.0" W.C.	14.0" W.C.

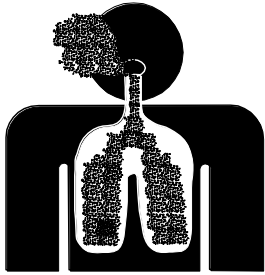
* Minimum permissible gas supply pressure for purpose of input adjustment.

11) TYPICAL THERMOSTAT WIRING INSTALLATIONS FOR STANDING PILOT (N1, N1A, L1 OR N1B, L1B CONTROLS) IGNITION SYSTEM



12) VENTILATION

⚠ WARNING



CARBON MONOXIDE HAZARD

Heaters installed in an unvented mode require a minimum ventilation flow of 4 CFM per 1,000 Btu/hr of total installed capacity.

Failure to do so may result in death, serious injury, property damage or illness from Carbon Monoxide poisoning.

Where unvented infrared heaters are used, natural or mechanical means shall be provided to supply and exhaust at least 4 cfm per 1000 Btu per hr input of installed heaters.

Exhaust openings for removing flue products shall be above the level of the heaters.

This heater requires ventilation in the building to dilute the product of combustion and provide fresh air for efficient combustion. Power ventilation is recommended, and the minimum vent flow required is as follows:

SGM3 = 109 cfm

SGM6 = 218 cfm

SGM10 = 436 cfm

If gravity ventilation is used, the required square feet of inlet and outlet vent area (depending on height and temperature difference) is as follows:

SGM3 = 0.4 s/f

SGM6 = 0.8 s/f

SGM10 = 1.6 s/f

The General Ventilation Rules outlined in ASHRAE GUIDE AND DATA BOOK should be observed when locating vents. Exhaust vents must be located at the highest point above and in the vicinity of the heaters and the inlet vents must be located below the level of the heaters. Inlet openings in the building should be well distributed high in the sidewalls and should direct incoming air upward to dilute products of combustion while preventing drafts at lower levels. Inlets are typically 1 to 3 sq. ft. Local codes may require that mechanical exhaust systems be interlocked with the function simultaneously or allow control of exhausters to humidistat.

13) LIGHTING AND SHUTDOWN INSTRUCTIONS

⚠ WARNING	
	FIRE HAZARD Do not operate unit if repairs are necessary. Do not operate unit showing any signs of burner malfunction. Call a professional for assistance. Failure to do so may results in death, serious injury or property damage.

STANDING PILOT IGNITION SYSTEM (Ignition Suffix "1")

- 1) Turn the dial to **"PILOT."** Press the dial in and light the pilot. Hold for **60 seconds** and release.
- 2) Turn the dial counterclockwise \cup to **"ON."** Use this position for thermostat control Set the thermostat for desired room temperature.
- 3) If the heater does not light, shut off the gas completely for **5 minutes** before attempting to relight.
- 4) To shut down the heater, turn the dial clockwise \cup to **"PILOT."** Depress the dial slightly and turn to **"OFF."**

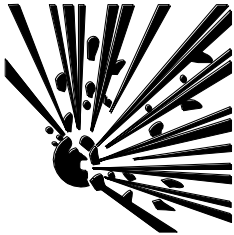
NOTE: The lighting and shutdown instructions are also shown on the permanent nameplate attached to the heater.

STANDING PILOT IGNITION SYSTEM (Ignition Suffix "1B")

- 1) Depress and turn the control knob to the **"PILOT"** position. Depress the button and ignite the pilot flame while keeping the knob fully depressed for a few seconds. Release the knob and check that the pilot flame stays lit. If it goes out, repeat the ignition operation.
- 2) Depress and turn the control knob to the **"ON"** position. When the automatic solenoid valve is energized, gas passage to the main burner is opened.
- 3) To keep the main burner closed and the pilot flame lit, depress and turn the control knob to the **"PILOT"** position.
- 4) If the heater does not light, shut off the gas completely for **5 minutes** before attempting to relight.
- 5) To shut down the heater, depress and turn the knob to the **"OFF"** position.

14) CLEANING AND ANNUAL MAINTENANCE

WARNING



EXPLOSION HAZARD

Disconnect gas supply before servicing.

Failure to do so may result in death or serious injury.

CAUTION



EQUIPMENT FAILURE HAZARD

Do not blow out heating elements with high pressure air.

Failure to do so may result in property damage.

This heater must be cleaned and serviced at least once before the start of each heating season or at any time the infrared emitter shows signs of collecting any foreign material on its surface or in the ports, or when anything obstructs the venturi or the screen. Maximum heating efficiency and clean combustion will be maintained by keeping the emitter and burner clean. To clean the heater, follow these instructions:

- 1) Turn off all gas supply to the heater.
- 2) Clean the reflector.
- 3) Remove the main burner orifice and the pilot orifice (if so equipped) and clean them thoroughly.
- 4) Check the venturi opening to be sure it is clean. If there is any evidence of dirt accumulation in the venturi, remove it before cleaning to avoid getting the dirt inside the heater.
- 5) Inspect the emitter surface to be sure it is clean. Ignite the heater and observe the color of the emitter face. If there are pronounced dark areas on the face, it probably indicated an accumulation of dirt on the inside surface and the following steps must be taken to clean that surface:

**DO NOT DIRECT AN AIR HOSE AT THE CERAMIC EMITTER SURFACE
AS IT MIGHT DAMAGE THE CERAMIC OR DISLODGE THE HIGH TEMPERATURE GASKET MATERIAL.**

- a) Lower the heater to the floor or other suitable working surface.
- b) Remove the reflector from the reflector mounting panels or collar.
- c) Disconnect the electrode cable and flame sensor cable, or pilot burner tubing.
- d) Remove the reflector mounting panels from the heater body
- e) Remove the emitter face from the heater body. This surface unit is attached by 1/4" Hex Head machine screws (10 on the **SGM3**, 16 on the **SGM6**, and 26 on the **SGM10**) Use caution in this operation as the emitter surface is fragile.
- f) Carefully brush any foreign material from the back side of the emitter face and the inside of the heater.
- g) The insulation gasket which was between the heater body and the emitter face must be replaced when the heater is reassembled. Order two (2) of each of the part numbers indicated for your particular model: ■
SGM3: #40446080 and #40446130
SGM6: #40446080 and #40446090
SGM10: #40446080 and #40446110.

15) REPLACING PARTS

Ensure that at all times when parts are being replaced, both gas and electrical supplies are disconnected. Various parts are available from the factory for replacement by a licensed person. Refer to the Replacement Parts Guide in Section 17 for all replacement parts.

16) INSTALLATION DATA

Date of Installation: _____ Number of Heaters in System: _____

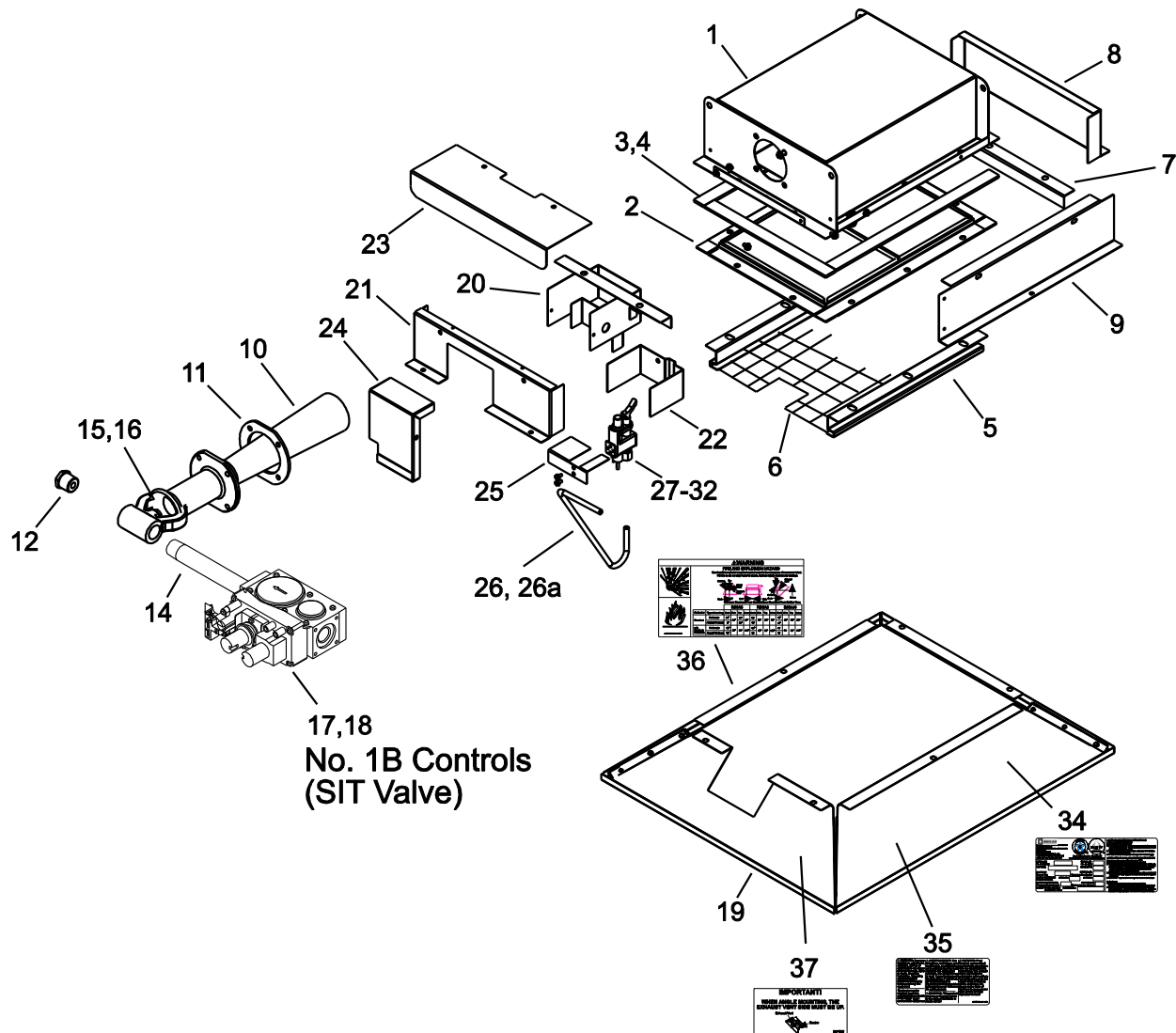
Heater Serial Number: _____

Heater Model: **SGM** _____ - _____
N=Natural Gas
L=Propane Gas

17) REPLACEMENT PARTS GUIDE

MODELS: SGM3-(N1, L1, N1B, L1B)

Item No.	Part No.	Description
1	42129000	Plenum Box Assembly
2	42192000	Emitter Kit (includes items 3 & 4)
3	40446080	End Gasket (Qty. 2)
4	40446130	Side Gasket (Qty. 2)
5	42133000	Screen Retainer (Qty. 2)
6	40670050	Reverb Screen (Pilot)
7	40710020	End Reverb Baffle
8	40621000	End Flue Collar
9	42132000	Side Flue Collar
10	42136000	Venturi Assembly
11	40666000	Venturi Gasket
12	03339080	Plug, 1/2
13		
14	03333220	Nipple, 1/2 x 6" (SIT valve)
15	03625420	Main Burner Orifice (#42) Nat. Gas @ 3-1/2" WC
16	30236530	Main Burner Orifice (#53) LP Gas @ 10" @ 11" WC
17	44010410	Kit, Gas Valve – SIT #0.820.658 (natural gas @ 3-1/2" WC)
18	44010420	Kit, Gas Valve – SIT #0.820.659 (propane gas @ 11" WC)
19	42124000	Reflector Assembly (pilot)
20	40715000	Pilot Housing Assembly
21	40719000	End Flue Collar (pilot end)
22	40707000	Radiation Shield (housing)
23	40649000	Pilot Flue Baffle
24	40750000	Pilot Shield Assembly
25	40706000	Radiation Shield (pilot)
26	42184000	Pilot Tubing (HW valve)
26a	42184050	Pilot Tubing (SIT valve)
27	03462070	Pilot Generator System - Nat. Gas
28	03462080	Pilot Generator System - LP Gas
29	03463000	Pilot Burner, Less Orifice (included in items #27 & #28)
30	03348020	Pilot Orifice, TJ020 - Nat. Gas (included in item #27)
31	03348040	Pilot Orifice, TJ012 - LP Gas (included in item #28)
32	03378010	Generator Cartridge-32", PG9 (included in items #27 & #28)
33	43219030	Installation Manual (not shown)
34	42849010	Label – Nameplate
35	42875000	Label – General Warnings
36	43247040	Label – Clearances to Combustibles
37	41250000	Label – Angle Mounting



IMPORTANT:

- Please order by Part Number, not by Item Number.
- Refer to complete Model Number when ordering.
- All replacement parts available when ordering.

MODEL NUMBER SUFFIXES:

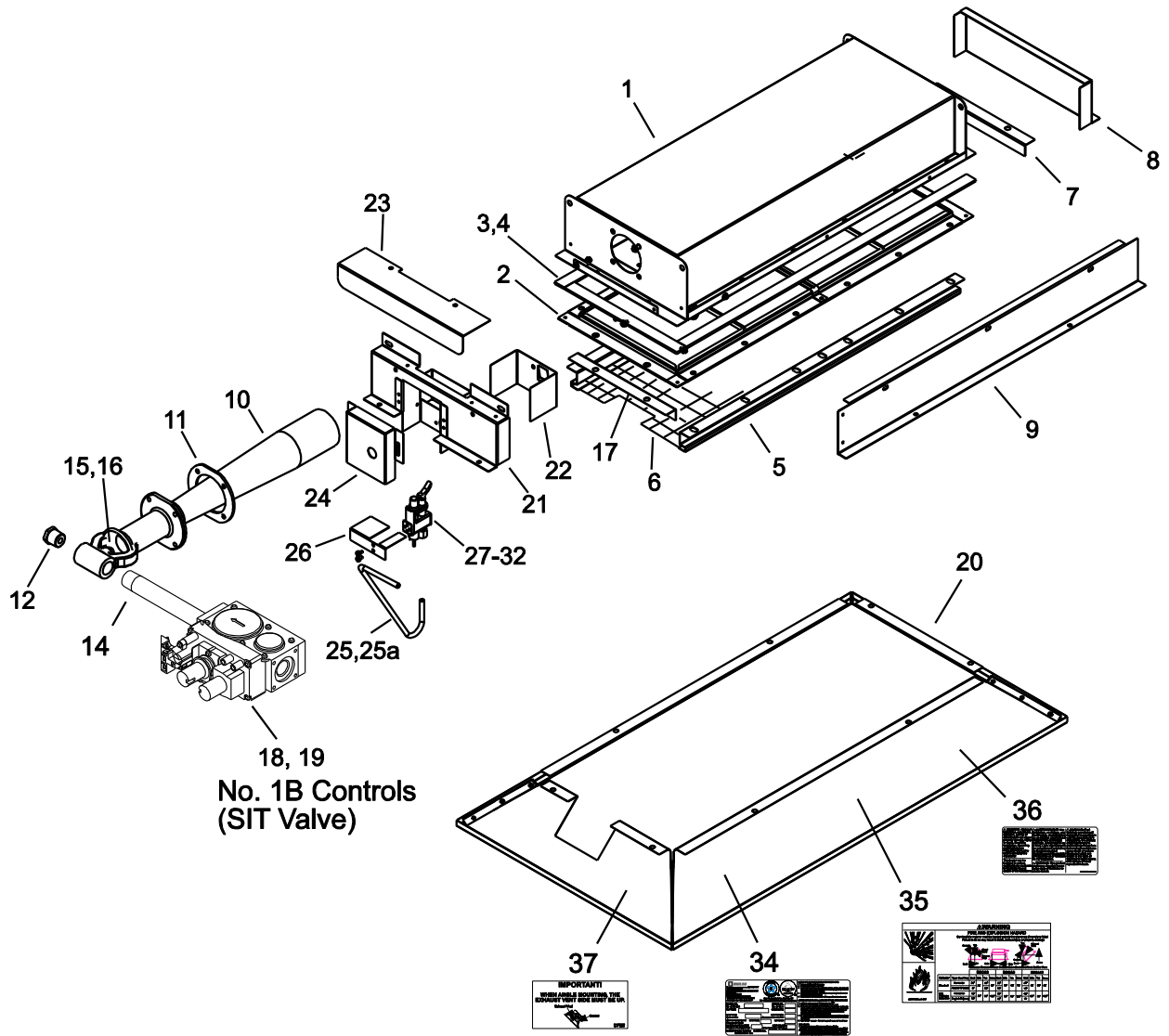
N = Natural Gas
L = Propane Gas

1 or 1A = Self-Generating (750mv) Standing Pilot with Honeywell Gas Valve
1B = Self-Generating (750mv) Standing Pilot with SIT Gas Valve

ALL ILLUSTRATIONS ARE INTENDED TO GIVE THE GENERAL IMPRESSION OF UNITS ONLY. WE RESERVE THE RIGHT TO ALTER ANY SPECIFICATION WITHOUT NOTICE.

MODELS: SGM6-(N1A, L1, N1B, L1B)

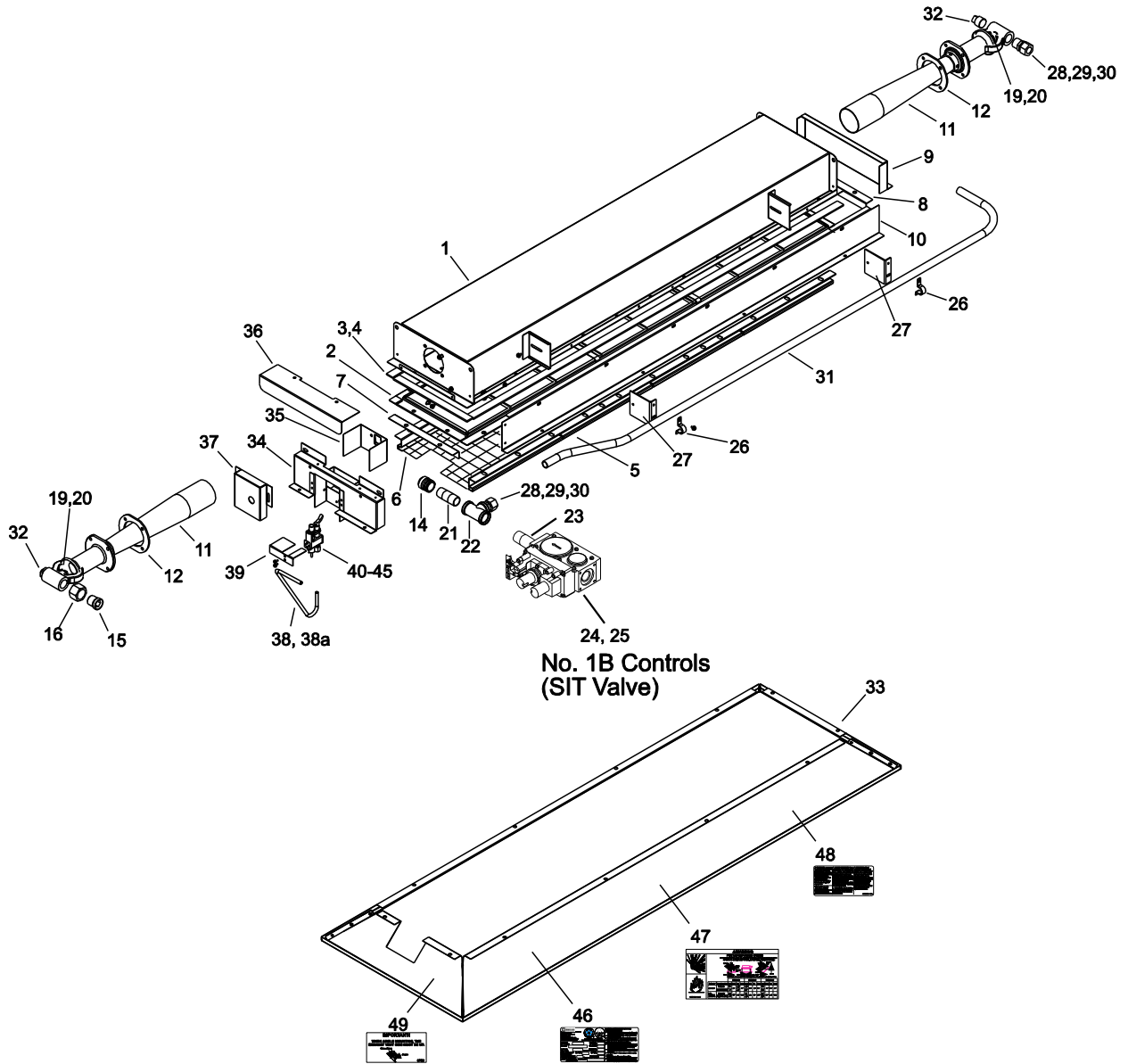
Item No.	Part No.	Description
1	40714000	Plenum Box Assembly
2	41218000	Emitter Kit (includes items 3 & 4)
3	40446080	End Gasket (Qty. 2)
4	40446090	Side Gasket (Qty. 2)
5	40608000	Screen Retainer (Qty. 2)
6	40670030	Reverb Screen (pilot)
7	40710020	End Reverb Baffle
8	40621000	End Flue Collar
9	40616000	Side Flue Collar
10	40726000	Venturi Assembly
11	40666000	Venturi Gasket
12	03339080	Plug, 1/2
13		
14	03333220	Nipple, 1/2 x 6" (SIT valve)
15	03624320	Main Burner Orifice (#32) Nat. Gas @ 6" WC
16	03625450	Main Burner Orifice (#45) LP Gas @ 10" WC
16a	03625920	Main Burner Orifice (2mm) LP Gas @ 11" WC
17	40710010	Reverb Baffle (notched)
18	44010430	Kit, Gas Valve – SIT #0.820.____ (natural gas @ 6" WC)
19	44010440	Kit, Gas Valve – SIT #0.820.659 (propane gas @ 10" WC)
20	40720000	Reflector Assembly (pilot)
21	42431000	Pilot Housing Assembly
22	42425000	Radiation Shield (housing)
23	42421000	Pilot Flue Baffle
24	42424000	Pilot Shield
25	42434000	Pilot Tubing (HW valve)
25a	42434050	Pilot Tubing (SIT valve)
26	40706000	Radiation Shield (pilot)
27	03462130	Pilot Generator System - Nat. Gas
28	03462140	Pilot Generator System - LP Gas
29	03463000	Pilot Burner, Less Orifice (included in items #27 & #28)
30	03460030	Pilot Orifice, TL020 - Nat. Gas (included in item #27)
31	03460060	Pilot Orifice, TL012 - LP Gas (included in item #28)
32	03378010	Generator Cartridge-32", PG9 (included in items #27 & #28)
33	43219030	Installation Manual (not shown)
34	42849010	Label – Nameplate
35	43247040	Label – Clearances to Combustibles
36	42875000	Label – General Warnings
37	41250000	Label – Angle Mounting



MODELS: SGM10-(N1A, L1, N1B, L1B)

Item No.	Part No.	Description
1	40742000	Plenum Box Assembly
2	41219000	Emitter Kit (includes items 3 & 4)
3	40446080	End Gasket (Qty. 2)
4	40446110	Side Gasket (Qty. 2)
5	40747000	Screen Retainer (Qty. 2)
6	40670040	Reverb Screen (pilot)
7	40710010	Reverb Baffle Assembly (ignition end)
8	40710020	Reverb Baffle (back end)
9	40621000	End Flue Collar
10	40744000	Side Flue Collar
11	40726000	Venturi Assembly (Qty. 2)
12	40666000	Venturi Gasket (Qty. 2)
13	43219030	Installation Manual (not shown)
14	03068010	Union Half - Female
15	03068020	Union Half - Male
16	03068030	Union Nut - 1/2
19	03624320	Main Burner Orifice (#32) Nat. Gas @ 6" WC (Qty. 2)
20	03625450	Main Burner Orifice (#45) LP Gas @ 10" WC (Qty. 2)
20a	03625920	Main Burner Orifice (2mm) LP Gas @ 11" WC (Qty. 2)
21	03333060	Nipple, 1/2 x 2"
22	03336080	Tee, 1/2
23	03333020	Nipple, 1/2 x Close
24	44010450	Kit, Gas Valve – SIT #0.820.____ (natural gas @ 6" WC)
25	44010460	Kit, Gas Valve – SIT #0.820.659 (propane gas @ 10" WC)
26	42420000	Manifold Clamp (Qty. 2)
27	04703000	Manifold Support Bracket (Qty. 2)
28	03600040	Compression Sleeve - 5/8 (Qty. 2)
29	03601040	Compression Nut - 5/8 (Qty. 2)
30	03602100	Compression Union - 5/8 Tube x 1/2 NPT (Qty. 2)
31	42432000	Manifold Tubing
32	03339080	Plug, 1/2
33	41063000	Reflector (pilot)
34	42431000	Pilot Housing Assembly
35	42425000	Radiation Shield (housing)
36	42421000	Pilot Flue Baffle
37	42424000	Pilot Shield
38	42433000	Pilot Tubing (HW valve)
38a	42433050	Pilot Tubing (SIT valve)
39	40706000	Radiation Shield (pilot)
40	03462130	Pilot Generator System - Nat. Gas
41	03462140	Pilot Generator System - LP Gas
42	03463000	Pilot Burner, Less Orifice (included in items #40 & #41)
43	03460030	Pilot Orifice, TL020 - Nat. Gas (included in item #40)
44	03460060	Pilot Orifice, TL012 - LP Gas (included in item #41)
45	03378010	Generator Cartridge-32", PG9 (included in items #40 & #41)
46	42849010	Label – Nameplate
47	43247040	Label – Clearances to Combustibles

48	42875000	Label – General Warnings
49	41250000	Label – Angle Mounting



18) WARNINGS CARD

This card is furnished with each heater. Additional copies may be ordered under part no. 43344980.

- Attach this information card adjacent to the thermostat which controls the SunStar heater(s). ○



Read the Installation and Operating Instructions thoroughly before installation, operation or service.

INSTALLER: Write the clearance distance for the highest BTU model in the building in the blank spaces below using permanent ink. The clearances to combustible materials are based on each individual heater model number. Locate the heater model number on the nameplate affixed to the heater. The clearances to combustibles distances can be located adjacent to the nameplate or in the Installation & Operating (I & O) Instructions. I & O's can also be located on www.sunstarheaters.com.

WARNING



FIRE HAZARD

Combustible material must be located outside the clearance distance listed from heater.

Some objects will catch fire or explode when placed close to heater.

Failure to follow these instructions can result in death, injury or property damage.

Maintain Clearances to Combustibles to Prevent the Risk of Fire.

Clearance to combustibles must be maintained at all times in order to prevent the ignition of combustible materials. In locations used for the storage of combustible materials signs must be posted to specify the maximum permissible stacking height to maintain the required clearances from the heater to the combustibles. Signs must either be posted adjacent to the heater's thermostats or in the absence of such thermostats, in a conspicuous location.

Maintain the following clearances:
_____ to the side, _____ above
and _____ below the heater
from combustible materials.

IF YOU SMELL GAS: _____

FOR YOUR SAFETY

! DO NOT try to light any appliance.

! DO NOT touch any electrical switch; **DO NOT** use any telephone in your building.

! IMMEDIATELY call your gas supplier from a neighbor's telephone. Follow the gas supplier's instructions.

If you cannot reach your gas supplier, call the fire department.

Installation Code and Annual Inspections:

Installation and Service of SunStar equipment must be performed by a qualified contractor and conform with all requirements set forth in the SunStar Installation and Operating Instructions and any National and Local codes pertaining to the installation, service and operation of the equipment. Annual inspection is recommended prior to the heating season to ensure proper operation of the heating equipment.

SUNSTAR HEATING PRODUCTS, INC.
Post Office Box 36271 (28236) * 306 West Tremont Avenue (28203) * Charlotte, North Carolina
Phone (704) 372-3486 * Fax (704) 332-5843 www.sunstarheaters.com * email: info@sunstarheaters.com

43344980
June 2014



LIMITED WARRANTY: SunStar Heating Products, Inc., the manufacturer, warrants to the original owner of any SunStar infrared gas heater that said heater will be free from defects in material or workmanship under normal use and service. The heater(s) shall be installed, used and maintained strictly in accordance with the manufacturer's instructions. The manufacturer's sole obligation under this warranty shall be limited to furnishing replacement parts, F.O.B. Charlotte, NC, for 12 months from the date of installation, or 18 months from the date of shipment by the manufacturer, whichever period shall expire first. Labor charges for removal of defective parts and the installation of the replacement parts are not included. This warranty applies only within the USA and Canada.

WARNING: Manufacturer's warranty shall not apply: (a) to damage to the heater when used in an atmosphere containing halogenated hydrocarbons or other corrosive chemicals. Some compounds in the air can be ingested into the equipment and can cause an accelerated rate of corrosion of some of the parts of the heating components. The use of such chemical compounds in or near the operating environment of the heater should be avoided where a longer heater life is desirable; (b) to any heater or components which have been repaired or replaced with other than factory parts, modified in any way, misused or damaged, or which have been used contrary to the manufacturer's written instructions. Replacement parts are available through SunStar distributors.

LIMITATION OF WARRANTY: THERE ARE NO WARRANTIES, EXPRESS OR IMPLIED, WHICH EXTEND BEYOND THE DESCRIPTION ON THE FACE HEREOF. WITHOUT LIMITING THE FOREGOING, THE MANUFACTURER EXPRESSLY EXCLUDES ANY AND ALL IMPLIED WARRANTIES, INCLUDING BUT NOT LIMITED TO ANY IMPLIED WARRANTY OF FITNESS FOR A PARTICULAR PURPOSE AND ANY IMPLIED WARRANTY OF MERCHANTABILITY FOR ITS PRODUCTS.

If any provision of this warranty is found to be void, unenforceable or unconscionable, then the same is hereby severed and the remainder of this warranty is hereby saved and shall remain in force.

EXCLUSIVE REMEDY: The sole and exclusive remedy under this warranty is the replacement of the defective parts or heaters as hereinabove specified. THE MANUFACTURER DOES HEREBY EXPRESSLY EXCLUDE ANY AND ALL LIABILITY FOR INCIDENTAL AND CONSEQUENTIAL DAMAGES UNDER THIS OR ANY OTHER WARRANTY. Without intending to limit the aforesaid exclusion, THE MANUFACTURER DOES HEREBY EXCLUDE ANY LIABILITY UNDER THIS OR ANY OTHER WARRANTY FOR INJURIES AND COMMERCIAL LOSSES TO PROPERTY THAT RESULT FROM THE OPERATION, PROPER OR IMPROPER, OF ITS PRODUCTS.

The manufacturer will not be responsible for labor charges incurred for removal or installation of emitters. Any transportation charges involved in the return or repair are excluded.

ADDITIONAL TERMS: Manufacturer assumes no liability for delay in performing its obligations under the aforesaid warranty. Manufacturer assumes no liability for failure in performing its obligations there under if failure results directly or indirectly from any cause beyond its control, including but not limited to acts of God, acts of Government, floods, fires, shortages of materials, strikes and other labor difficulties or delays or failures of transportation facilities.

THIS IS A NON-RESIDENTIAL PRODUCT. Installation and service shall be by a Licensed Contractor and in accordance with National and Local Codes.

When presenting warranty claims, proof of date of purchase must be submitted.

No Representative is authorized to assume for the manufacturer any liability except as set forth above.

In case of claim under this warranty, contact:

SunStar Heating Products, Inc.
Post Office Box 36271
306 West Tremont Avenue (28203-4946)
Charlotte, NC 28236-6271
(704) 372-3486