

Burner Collection 38" Burner



Black



Included Accessories



Lighting Rod



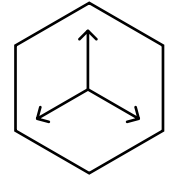
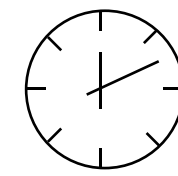
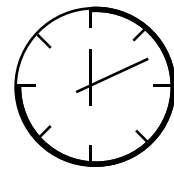
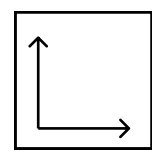
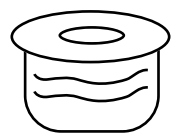
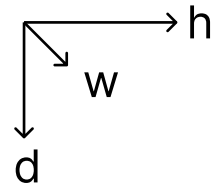
Lighter



Funnel

Burner Collection

38" Burner



Dimensions H x W x D mm/in	Fuel Capacity	Heats on Average (indoors)	Fuel Consumption	Thermal Output Net (MAX)	Approx. Burn Time	Minimum Room Size (per burner)
114 × 935.1 × 216 4.5" x 36.67" x 8.5"	10L	Over 93m ² [1,001 ft ²]	0.5L per hour	27,000 BTU/h 7.9 Kw	12-14 hours	250 sq. ft.

Awards

2010 Winner Outdoor Hearth Products Vesta Awards

Application

Indoor & Outdoor

Burner Colour

Stainless Steel
 Black

Materials

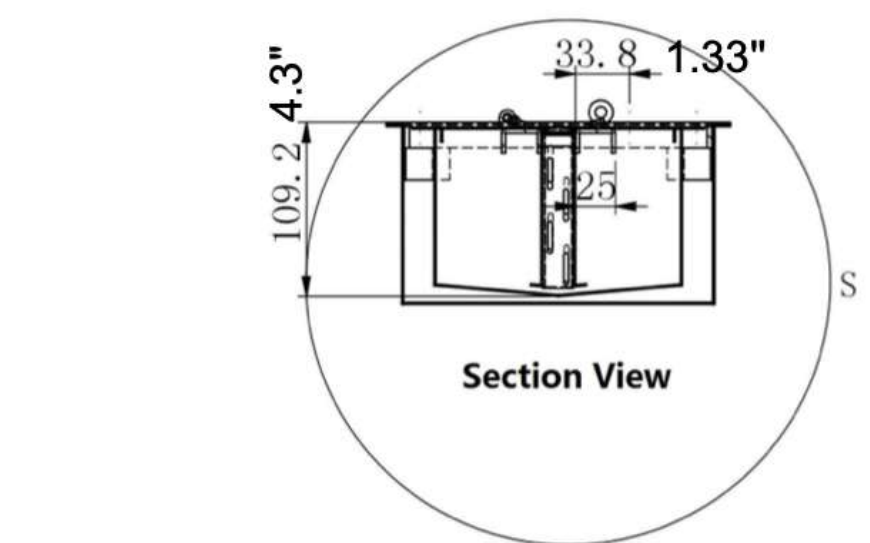
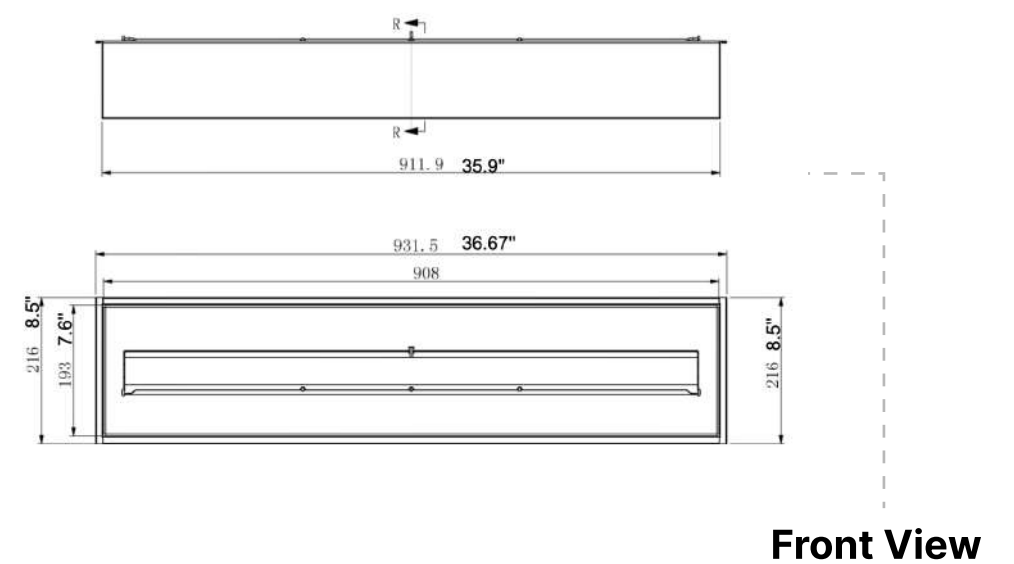
Grade 304 Stainless Steel Construction

Approx. Weight

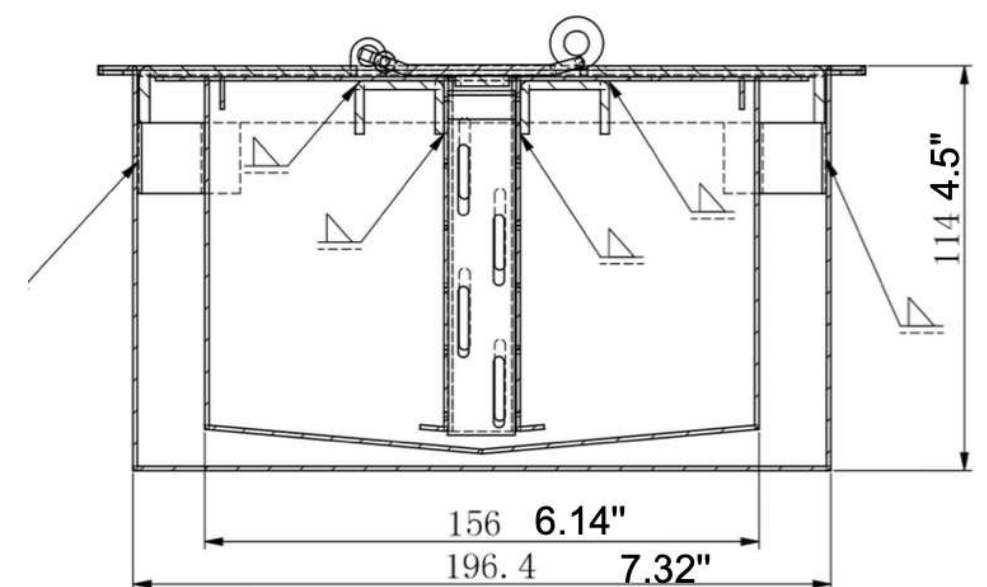
44 lbs

Fuel Type

Bio Ethanol Fuel



Top View



Inserting within a firebox setting:

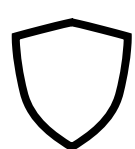
The Bio Flame 38' BURNER can only be fitted into a non-combustible firebox that has minimum clearances of 46"W x 20"H x 15"D.

Custom made fireboxes must:

- Be made out of a non-combustible material such as stainless steel
- *When recessing the tray into a non-combustible base with no firebox, the overhead clearance required is 60"MIN. to the nearest combustible*



Global Compliance
All burners are UL Listed in accordance with ANSI/UL1370 in the USA and comply with the ACCC Safety Mandate for Australia.



Lifetime Warranty

FOR MORE INFORMATION PLEASE REFERENCE THE CLEARANCE & INSTALLATION MANUAL

*Dimensions may vary by 2% (plus or minus) due to material attributes. Template not provided. The Bio Flame recommends using the actual fireplace or burner model when making final cut out

