

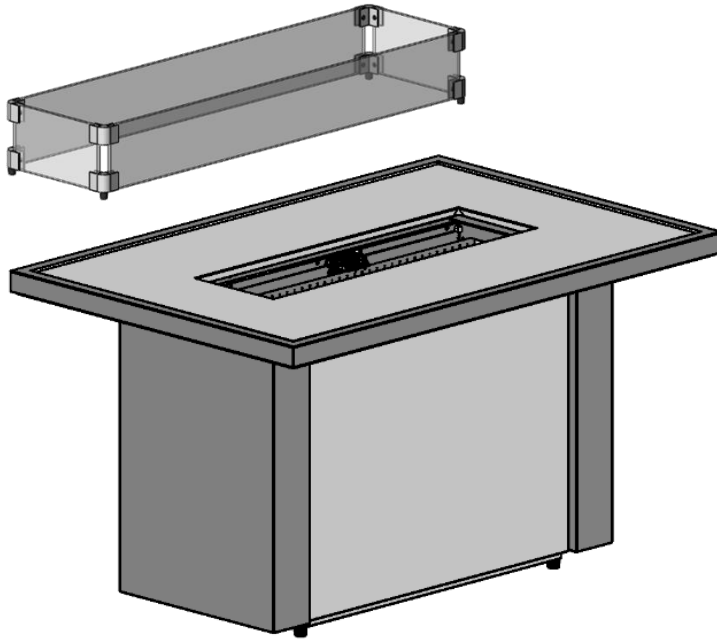
OUTDOOR FIRE TABLE USER MANUAL

OUTDOOR FIRE TABLES: OLT24GMAP, OLT24BMAP, OLT36GMAP, OLT36BMAP, OLT48GMAP, OLT48BMAP

OUTDOOR BURNERS: OB24MAP, OB36MAP, OB48MAP ARE CERTIFIED FOR USA & CANADA- ANSI Z21.97-2014 • CSA 2.41-2014 OUTDOOR DECORATIVE GAS APPLIANCES

NOTE: LP MANUAL (MAP) VALVE SYSTEMS ARE SHIPPED WITH AN ACCOMPANYING ORIFICE FOR NG CONVERSION.

For detailed instructions and information refer to the [OUTDOOR LINEAR FIRE PIT MANUAL](https://barbarajeancollection.com/) at <https://barbarajeancollection.com/>.



⚠ DANGER

FIRE OR EXPLOSION HAZARD

If you smell gas:

- Shut off gas to the appliance.
- Extinguish any open flame.
- If odor continues, leave the area immediately.
- After leaving the area, call your gas supplier or fire department.

Failure to follow these instructions could result in fire or explosion, which could cause property damage, personal injury, or death.

⚠ WARNING

Do not store or use gasoline or other flammable vapors and liquids in the vicinity of this or any other appliance.

An LP-cylinder not connected for use shall not be stored in the vicinity of this or any other appliance.

⚠ WARNING

For Outdoor Use Only.

Installation and service must be performed by a qualified installer, service agency, or the gas supplier.

⚠ WARNING

If the information in this manual is not followed exactly, a fire or explosion may result causing property damage, personal injury, or loss of life.

⚠ DANGER

CARBON MONOXIDE HAZARD

This appliance can produce carbon monoxide which has no odor.

Using it in an enclosed space can kill you.

Never use this appliance in an enclosed space such as a camper, tent, car or home.



INSTALLER: Leave this manual with the appliance.

CONSUMER: Retain this manual for future reference.

This appliance is designed as an “attended appliance”. Adults must be present when the unit is operating. **DO NOT** leave this unit burning when unattended. If this product is left burning unattended it may cause damage or serious injury.

WARNING

FOR SAFE INSTALLATION AND OPERATION OF YOUR GAS FIREPLACE PLEASE NOTE THE FOLLOWING:

1. when an appliance is for connection to a fixed piping system, the installation must conform with local codes or, in the absence of local codes, with the National Fuel Gas Code, ANSI Z223.1 • NFPA 54; National Fuel Gas Code; Natural Gas and Propane Installation Code, CSA B149.1; or Propane Storage and Handling Code, CSA B149.2, as applicable.
2. This appliance, when installed, must be electrically grounded in accordance with local codes or, in the absence of local codes, with the National Electrical Code, ANSI/NFPA 70; or the Canadian Electrical Code, CSA C22.1, if applicable.
3. THIS UNIT IS NOT FOR USE WITH SOLID FUEL.
4. Always keep the appliance clear and free from combustible materials, gasoline, and other flammable vapors and liquids.
5. Inspect the fuel supply connection (including the hose for LP models) before each use of the appliance. See Lighting Instructions for removal of Access Panel.
6. If it is evident there is excessive abrasion or wear, or the hose is damaged, it must be replaced prior to the appliance being put into operation. Locate the hose out of pathways where people may trip over it or in areas where the hose may be subject to accidental damage
7. Locate the hose out of pathways where people may trip over it or in areas where the hose may be subject to accidental damage.
8. Children and adults should be alerted to the hazards of the high surface temperatures of this appliance and should stay away to avoid burns or ignition of clothing.
9. Young children should be carefully supervised when they are in the area of the appliance.
10. Clothing or other flammable material should not be placed on or near the appliance. This appliance should not be used as a drying rack for clothing.
11. Any safety screen or guard removed for servicing an appliance must be replaced prior to operating the appliance.
12. Installation and repair should be done by a qualified service person. The appliance should be inspected before use and at least annually by a professional service person. More frequent cleaning may be required due to excessive lint from carpeting, et cetera. It is imperative that control compartments, burners and circulating air passageways of the appliance be kept clean.
13. Do not use this appliance if any part has been under water. Immediately call a qualified service technician to inspect the unit and to replace any part of the control system and any gas control which has been underwater.

Important Information About Outdoor Fireplaces

- Outdoor fire burning appliances may not function properly at all times regardless of the circumstances.
- Wind can greatly affect flame performance. Use the supplied Wind Guard.
- Outdoor units require adequate ventilation in order to burn properly.
- Restricted access to air is not only dangerous for persons near the appliance, but the appliance also will not function correctly.
- This appliance consumes air, burns fuel, and emits heat and exhaust gases.
- Only approved media and accessories listed in this manual should be used with this appliance.
- This appliance is not intended for use in temperatures below freezing.
- The pilot burner (if equipped) should be OFF, and covered to protect it from the elements when not in use.

- Table of Contents -

Warnings.....	2
Important Information About Outdoor Fireplaces.....	2
Table of Contents.....	3
Locating Your Appliance.....	4
Fire Table Dimensions.....	5
Glass Media for Outdoor Burners.....	6
Optional Media Accessories.....	6-7
Wind Guards.....	8
Burner Lids for OB Burners – Optional.....	9
20lb Cylinder Installation.....	10
Safety Information and Manual Lighting Instructions.....	11
Burner System Maintenance.....	12
General Maintenance Instructions.....	13
Gas Conversion – Manual Systems.....	14
Gas Specifications, Gas Line Installation.....	15
Troubleshooting.....	16
Plumbing Parts - OB Burners 24 / 36 / 48.....	17
Outdoor Fire Tables – Parts Lists and Accessories.....	18-19
Limited Warranty.....	20

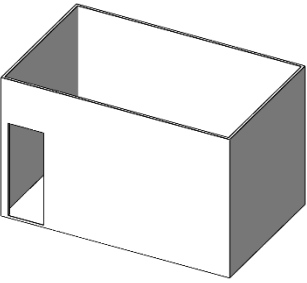
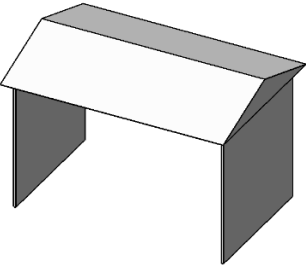
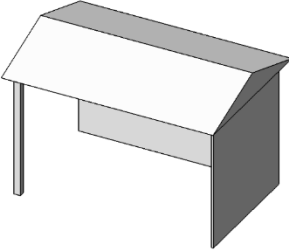
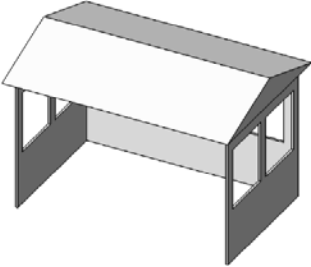
Locating Your Appliance

Note: Ventilation and air flow comes from openings in the walls and ceiling. Open floor space around the appliance must not be considered ventilation and air flow space.

- This unit requires combustion air and will produce exhaust gases. Install in an open-air situation with natural ventilation and without stagnant areas.
- Avoid installing in tight spaces and corners.
- Be aware of combustibles (i.e. furniture) near appliance. Clearance is 12" when using a wind guard.
- By definition, an outdoor space is not enclosed. Any area in which these appliances are used shall comply with the structures shown below.

Locating Your Appliance – Outdoor Spaces

This appliance may be installed within the following structures:

<p>1.</p>  <p>Walls on all sides (Minimum area of 96 square feet), but with no overhead cover and at least one permanent opening (doorway) at ground level.</p>	<p>2.</p>  <p>Within a partial enclosure that includes an overhead cover and no more than two side walls.</p>	<p>3.</p>  <p>These side walls may be parallel, as in a breezeway, or at right angles to each other.</p>	<p>4.</p>  <p>Within a partial enclosure that includes an overhead cover and three side walls, as long as 30 percent or more of the horizontal periphery of the enclosure is permanently open.</p>
---	---	---	---

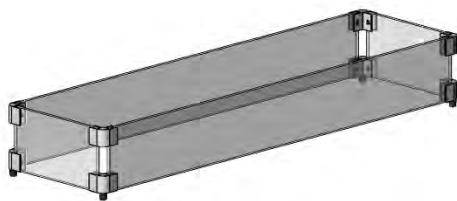
All models can be installed safely in a screened porch area within the following guidelines:

Minimum porch area is 96sq. feet with two sides fully open.

A minimum of two (2) walls can be screened, but must be open to outside ventilation, with a minimum screen area of 64 sq. feet, and a minimum side wall height of 78" inches.

Locating Your Appliance –Minimum Clearances to Combustibles-

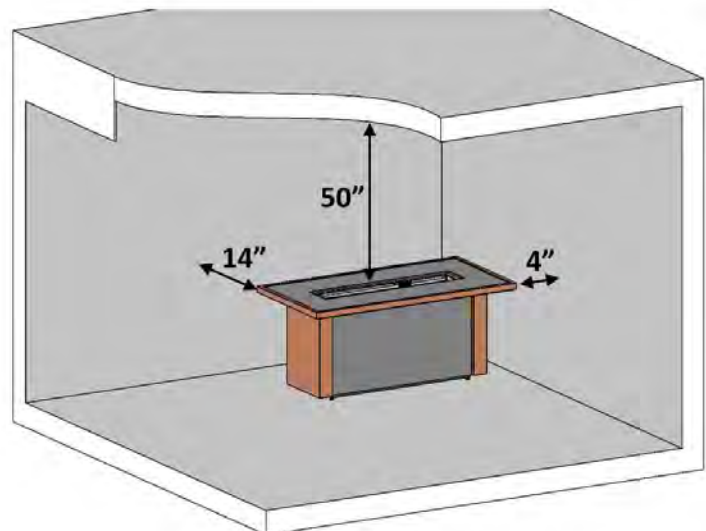
A Wind Guard is **Required** for Outdoor Fire Tables.



The Fire Table Top Edge must maintain the following minimum clearances from combustible materials:

- **End of Table Top – 4"**
- **Side of Table Top – 14"**
- **Table Top to Ceiling – 50"**

WARNING -RISK OF FIRE-
All minimum clearances must be adhered to.

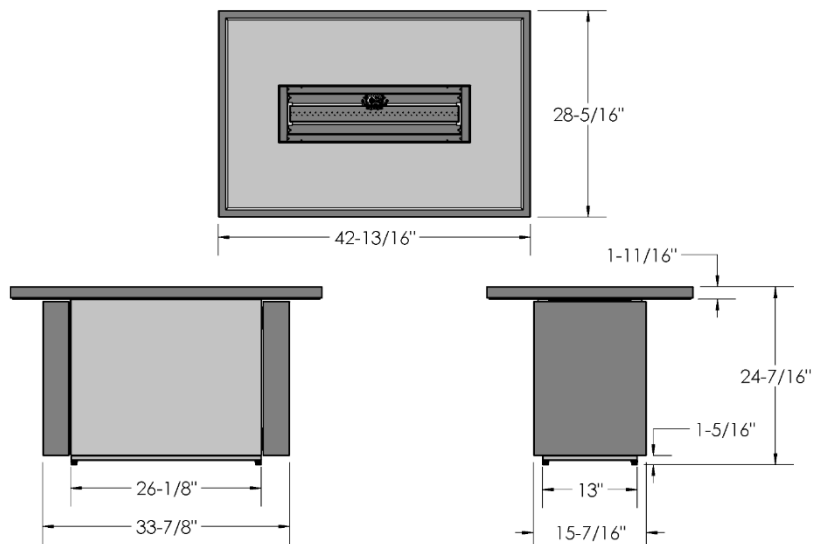


Fire Tables –Dimensions

OLTW24MAP

BURNER OPTIONS:

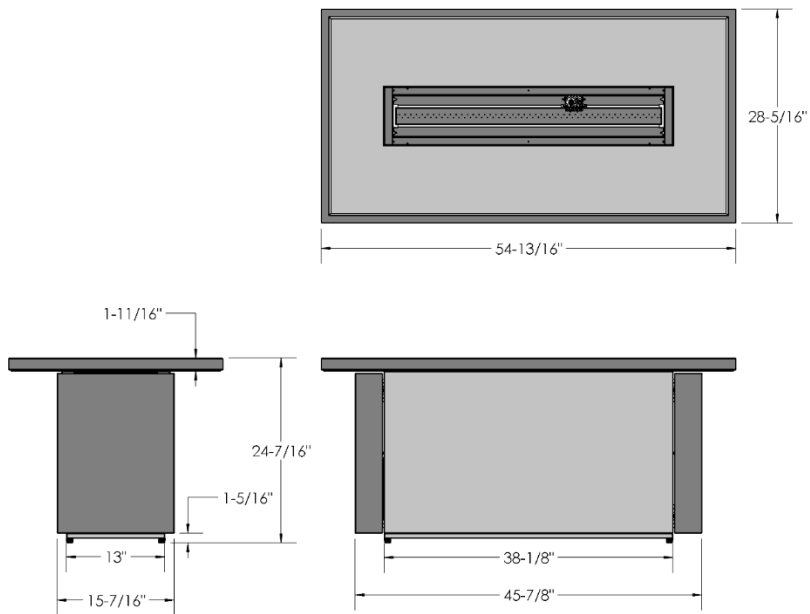
OB24MAP (c/w #40 Orifice for NG)



OLTW36MAP

BURNER OPTIONS:

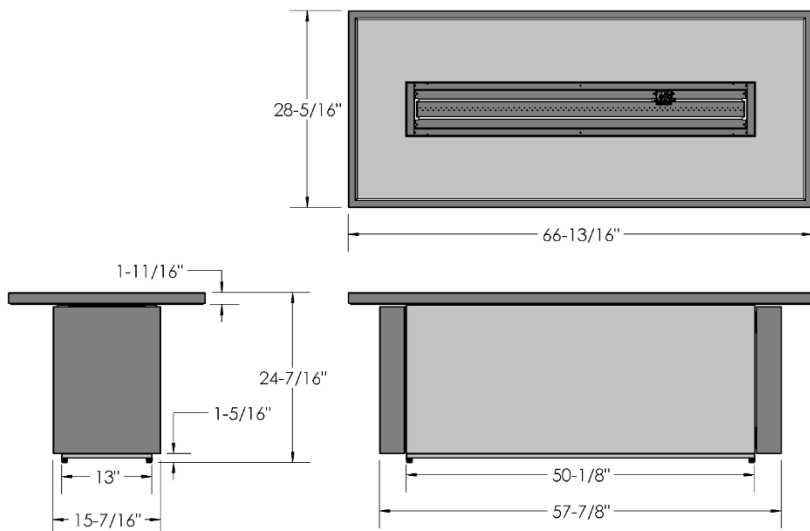
OB36MAP (c/w #31 Orifice for NG)



OLTW48MAP

BURNER OPTIONS:

OB48MAP (c/w #30 Orifice for NG)



Glass Media for Outdoor Burners

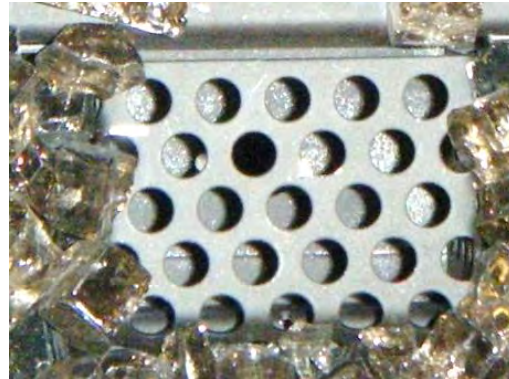
Choose Glass Media - 5 lbs. per Foot of Burner (i.e.: 24" burner = 10lbs)

Product Number	Description
MQG5ZG	Glass Media - ZIRCON Glacier Ice - 5 lbs. NOTE: For OB36 use 4 bags (20 lbs.) For OB48 use 5 bags (25 lbs.) For OB72 use 8 bags (40 lbs.) For OB96 use 10 bags (50 lbs.)
MQG5A	Glass Media - 1/2" Cobalt Blue - 5 lbs.
MQG5B	Glass Media - 1/2" Black - 5 lbs.
MQG5C	Glass Media - 1/2" Bronze - 5 lbs.
MQG5W	Glass Media - 1/2" White - 5lbs.

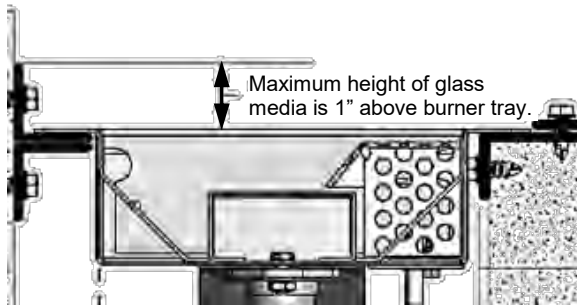
Use of any other glass can alter the performance of the unit and is not covered under warranty.
 Discoloration of glass media may occur if placed on the burner, this is not covered under warranty.

Spread glass evenly in burner tray.

Pilot Shield must not be covered, as a delayed ignition can occur (See photo below).



Pilot Area Must Not Be Covered.



SIDE VIEW



Optional Media Accessories

MQRBD3 – Driftwood Log Set – 5 piece



Place Logs Randomly as shown. Do not cover Pilot.

MQRBD4 – Driftwood Log Set – 3 piece



Place Logs Randomly as shown. Do not cover Pilot.

MQROCK2 – Rock Set, Contemporary Collection – Natural

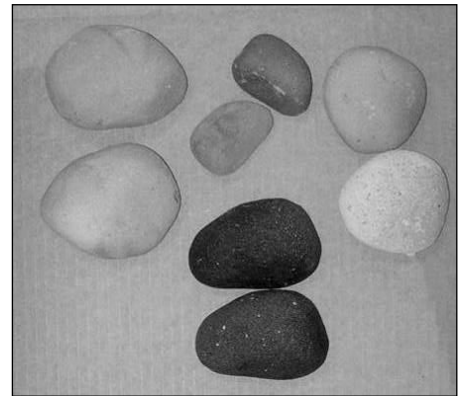
MQROCK3 – Rock Set, Contemporary Collection – Multi-Colored

MQSTONE – Decorative Stones – 80 Piece Set

MQSTONE10 – Decorative Stones – 10 Piece Set

Place Rocks and Stones randomly. Do not cover Pilot.

Not all Rocks or Stones will be used on all models.



RBCB1 – Canonballs – Assorted Size and colors- 14 pieces



Place Canonballs randomly. Do not cover Pilot. Not all Canonballs will be used on all models.

 NOTE

- Pilot Area Must Not Be Covered, as delayed ignition can occur.
- Be Careful Not To Cover Any Part Of The Burner Tube As Canonballs may become discolored or sooting may occur.

Wind Guards

Fire Tables

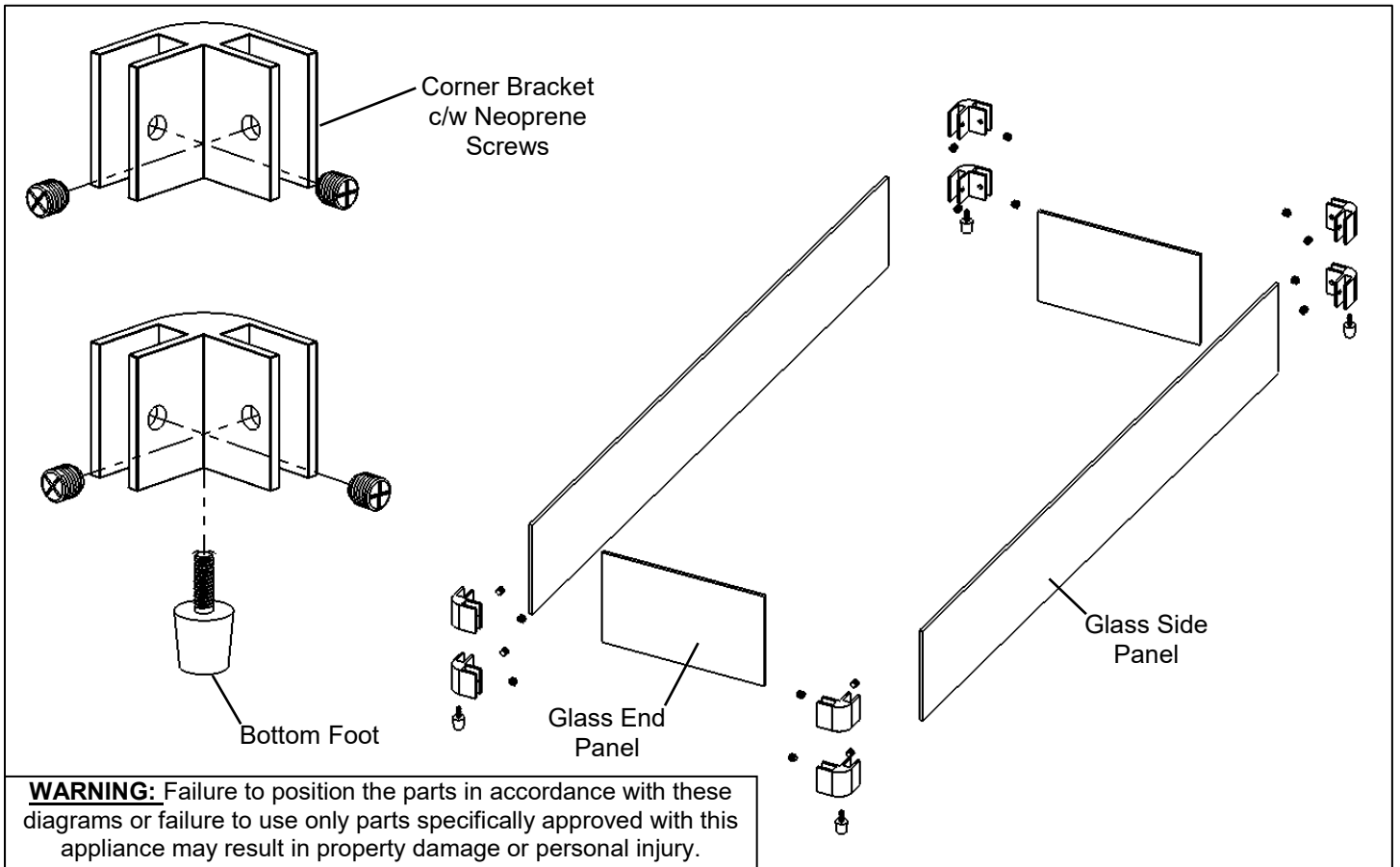
A Wind Guard is **Required** for Outdoor Fire Tables.

Parts List: [4] Bottom Feet, [8] Corner Brackets c/w neoprene tipped screws, [2] Glass End Panels, [2] Glass Side Panels

Wind Guards: O24WG – 24" Fire Table

O36WG – 36" Fire Table

O48WG – 48" Fire Table



NOTE: Painted finishes damaged or discolored by heat are not covered under warranty.

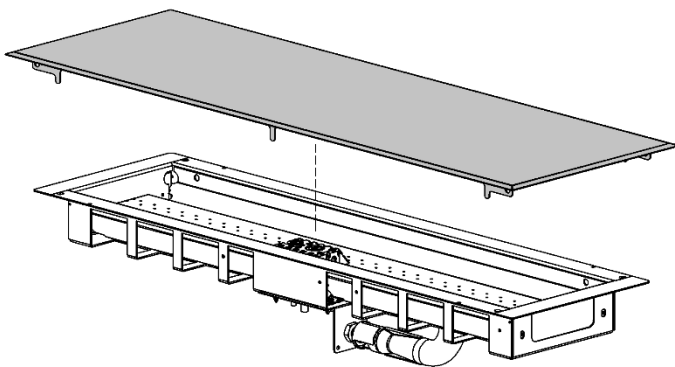
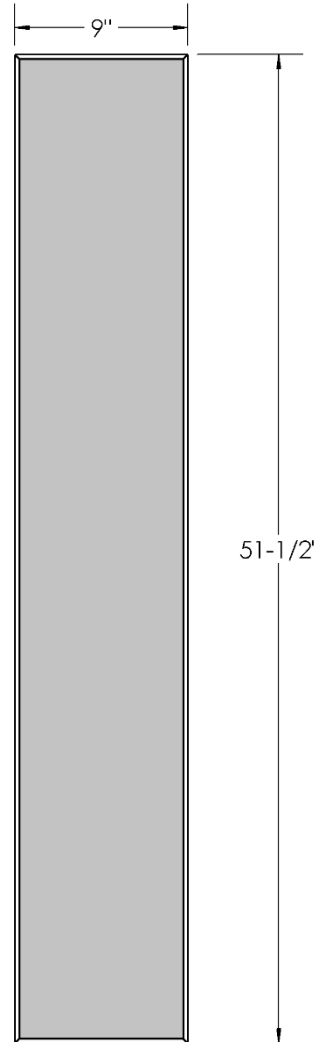
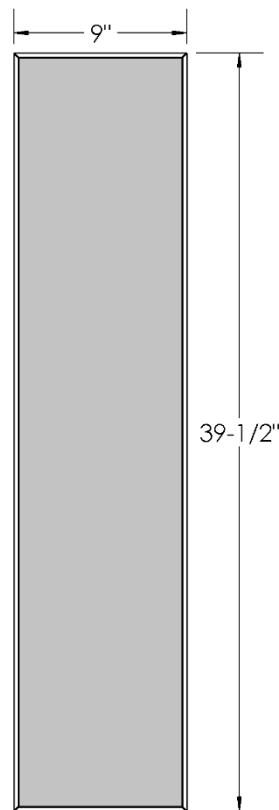
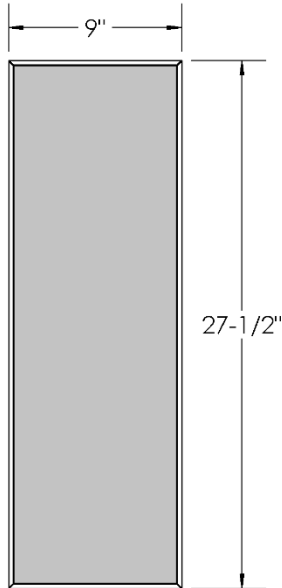
Burner Lids for OB Burners - Optional

Parts List:
[1] Burner Lid

24LT-LID – OB24 Burners

36LT-LID – OB36 Burners

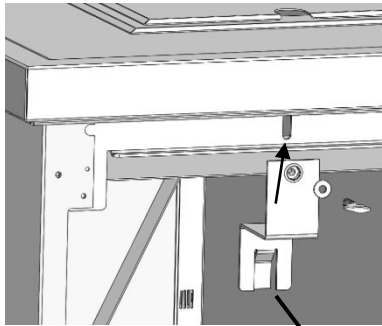
48LT-LID – OB48 Burners



- WARNING -

PILOT KNOB MUST BE TURNED TO THE "OFF" POSITION BEFORE INSTALLING BURNER LID. SERIOUS DAMAGE CAN BE CAUSED TO THE APPLIANCE AND PROPERTY IF PILOT IS LEFT ON AND THE MAIN BURNER IS TURNED ON WHEN BURNER LID IS INSTALLED. ANY DAMAGE CAUSED AS A RESULT OF THE PILOT OR MAIN BURNER BEING LEFT ON WHEN A BURNER LID IS INSTALLED WILL NOT BE COVERED UNDER WARRANTY.

20lb Cylinder Installation - Fire Table -



Tank Brace

Installation of 20lb Cylinder into Fire Tables:

- Remove Top Clamp.
- Connect 20lb cylinder to regulator.
- Place 20lb cylinder into Fire Table as shown.
- Secure 20lb cylinder with Tank Brace as shown.



Foot Ring Drops into Round Hole

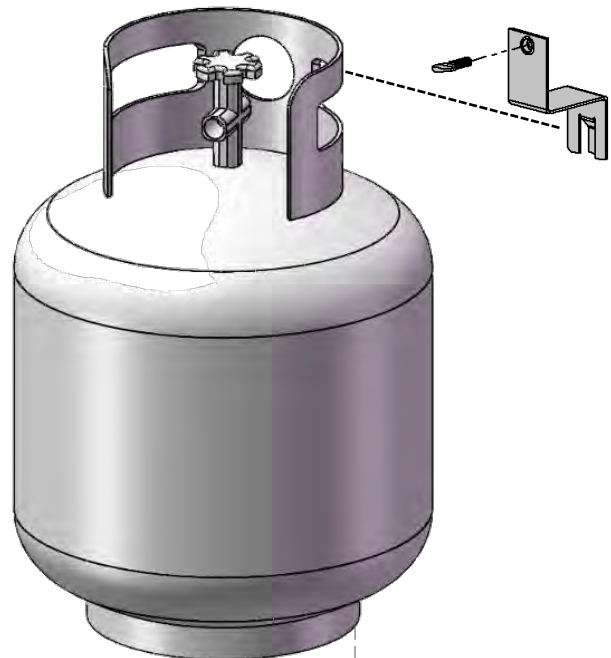


Replace Tank Brace. Slide over Protective Collar of 20lb cylinder and tighten.

⚠ Only a 20LB LP Cylinder may be used inside the Fire Table Enclosure.

NOTE: Cylinders acceptable for use inside this appliance must be compatible with the retention means shown here.

- The LP gas supply cylinder used with LP models must be constructed and marked in accordance with the specifications for LP-gas cylinders of the U.S. Department of Transportation (DOT) *Specifications for LP-Gas Cylinders, or the Standard for Cylinders, Spheres and Tubes for Transportation of Dangerous Goods and Commission, CAN/CSA-B339*, as applicable.
- The LP gas supply cylinder used with LP models must be provided with a listed overfilling prevention device.
- The pressure regulator and hose assembly supplied with LP models (PN# **27FP-900FF**) must be used. Replacement pressure regulators and hose assemblies must be those specified in this manual.
- Always check for gas leaks with a soap and water solution. **DO NOT USE OPEN FLAME FOR LEAK TESTING.**
- When an LP model is not in use, the LP-gas must be turned off at the supply cylinder.



Safety Information and Manual Lighting Instructions

FOR YOUR SAFETY READ BEFORE LIGHTING

⚠WARNING: If you do not follow these instructions exactly, a fire or explosion may result causing property damage, personal injury or loss of life.

- A. This appliance must be lit by hand. When lighting, follow these instructions exactly.
- B. Before LIGHTING, smell all around the appliance area for gas. Be sure to smell next to the floor, because some gas is heavier than air and will settle on the floor.
- C. Use only your hand to turn the gas control knob or valve. Never use tools. If the valve will not turn by hand, don't try to repair it, call a qualified service technician. Force or attempted repair may result in a fire or explosion.
- D. Do not use this appliance if any part has been underwater. Immediately call a qualified service technician to inspect the appliance, and to replace any part which has been underwater.

WHAT TO DO IF YOU SMELL GAS

- Do not try to light any appliance.
- Do not touch any electric switch; do not use any phone in your building.
- Immediately call your gas supplier from a neighbor's phone. Follow the gas supplier's instructions.
- If you cannot reach your gas supplier, call the fire department.

Manual Lighting Instructions

1. STOP! Read the safety information above.
2. Remove the top cover.
3. Find the manual gas control valve.
4. Place a burning match on top of burner in the middle where ports are present. DO NOT HOLD THE MATCH IN HAND. For Natural Gas unit turn on the on/off valve slowly at the unit. For LP unit turn the valve on the LP tank counterclockwise all the way and then turn on the on/off valve slowly at the unit.
5. If the burner does not light before the match goes out, immediately turn the gas to off.
6. Wait at least five (5) minutes to clear out any gas. If you have unsuccessfully tried to light the burner, wait longer. Then smell for gas, including near the floor. If you smell gas, STOP! Follow "B" in the safety information above. If you don't smell gas, repeat step 4.

Push Button Ignition (if equipped)

1. STOP! Read the safety information above.
2. Remove the top cover.
3. Find the manual gas control valve and push button igniter.
4. Push and hold the button on the igniter and ensure sparking is occurring at the probes inside the burner tray.
5. Turn ON gas supply and manual key valve.
6. Gas should ignite within 10 seconds or less. If the burner does not light turn the gas to off.
7. Wait at least five (5) minutes to clear out any gas. Then smell for gas, including near the floor. If you smell gas, STOP!
8. If you don't smell gas, repeat step 4.

To Turn Off Gas Appliance

1. Turn the on/off valve to the off position at the unit for natural gas unit. For LP unit, turn the on/off valve to the off position at the unit and then turn the valve on the LP tank to the off position clockwise.
2. Replace the top cover.

Burner System Maintenance

It is recommended to annually inspect and clean the Burner System to prevent malfunction and / or sooting. This operation should be performed by your dealer or a qualified technician.

-CAUTION-

Before servicing the burner system ensure that the gas supply is turned OFF and disconnect all electrical connections to the appliance. Allow the appliance to cool to room temperature. Note that the pilot assembly may be hot in an intermittent or standing-pilot system—even if the main burner was never on. Exercise caution when working within the area.

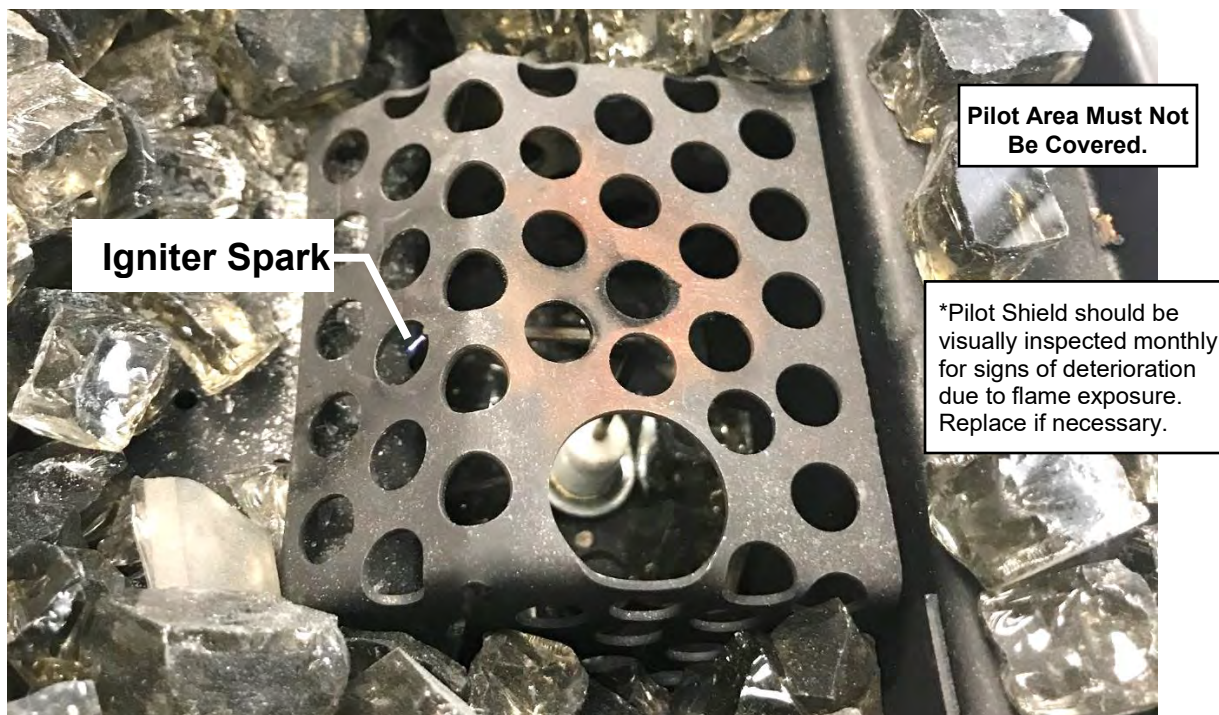
-ALL WORK SHOULD BE PERFORMED BY A QUALIFIED AND CERTIFIED TECHNICIAN-

This appliance is not intended for use in temperatures below freezing.

Monthly Flame Inspection



It is recommended to turn on the unit at least once a month and inspect the flame pattern to ensure there are no problems with the burner tube (Flame should appear similar to the above picture).



The igniter should also be inspected monthly to ensure proper operation.

The appliance should be inspected before initial use and inspected and cleaned at least annually by a qualified field service person.

Tampering is DANGEROUS and voids all warranties. Any component that is found to be faulty, must be replaced with an approved component.

If the burner is damaged it must be replaced with an approved burner. Refer to parts list at the back of this manual.

To obtain proper operation, it is imperative that the burner flame characteristics are steady, not lifting or floating. Check the burner flame patterns with **Burner System Maintenance** Section.

Periodically remove media and examine the burner. If dirty, clean with a soft brush. Also examine the area around the burner air shutter. Any dirt or lint in this area should be removed. This will ensure long life and trouble free operation. Replace media (rocks, logs, glass, etc.) as shown in manual. When the appliance is put back in service, check the burner flame patterns with **Burner System Maintenance** Section.

Periodically check the hose connecting the LP-gas cylinder to ensure it is not damaged in any way.

FOR SAFE INSTALLATION AND OPERATION NOTE THE FOLLOWING:

The Burner/Log Assembly has been engineered and permanently adjusted for proper flame control.

Label all wires prior to disconnection when servicing controls. Wiring errors can cause improper and dangerous operation. Verify proper operation after servicing.

Cylinders must be stored outdoors in a well ventilated area out of the reach of children. Disconnected cylinders must have threaded valve plugs tightly installed and must not be stored in a building, garage or any other enclosed area.

Storage of this appliance indoors is permissible only if it has been disconnected from its fuel supply (natural gas line or LP gas cylinder).

The LP gas cylinder supply system must be arranged for vapor withdraws.

The LP gas cylinder used must include a collar to protect the cylinder valve.

When an LP model is not in use, the LP gas must be turned off at the supply cylinder.

The appliance and its individual shut off valve must be disconnected from the gas supply piping system during any pressure testing of the system at test pressures in excess of ½ psi (3.5 kPa).

The appliance must be isolated from the gas supply piping system by closing its individual manual shutoff valve during any pressure testing of the gas supply piping system at test pressures equal to or less than ½ psi (3.5 kPa).

CLEANING

It is recommended to annually inspect and clean the unit to prevent malfunction and / or sooting. This operation should be performed by your dealer or a qualified technician.

Carefully remove media (log set, Rocks, Glass, etc.). Gloves are recommended.

Warning: Turn off Unit and allow to cool before cleaning. Only a qualified service technician should service and repair appliance.

- Do not use cleaning fluids to clean logs.
- Use a soft bristle brush or a vacuum with brush attachment.
- Vacuum loose particles and dust from burner and valve
- Inspect Burner Plate, Pilot, Valve, and Mixing Sleeve for spider webs or other blockages.
- If the burner or any other component is found to be faulty, it must be replaced prior to operation of the appliance with an approved component. **Replacement burner must be as specified in the manual.**
- Replace media. Refer to the appropriate page in this manual for proper placement of contents, such as logs.

Gas Conversion – PART A - MANUAL SYSTEMS –

NOTE: CONVERSION SHOULD BE COMPLETED BEFORE BURNER IS INSTALLED.

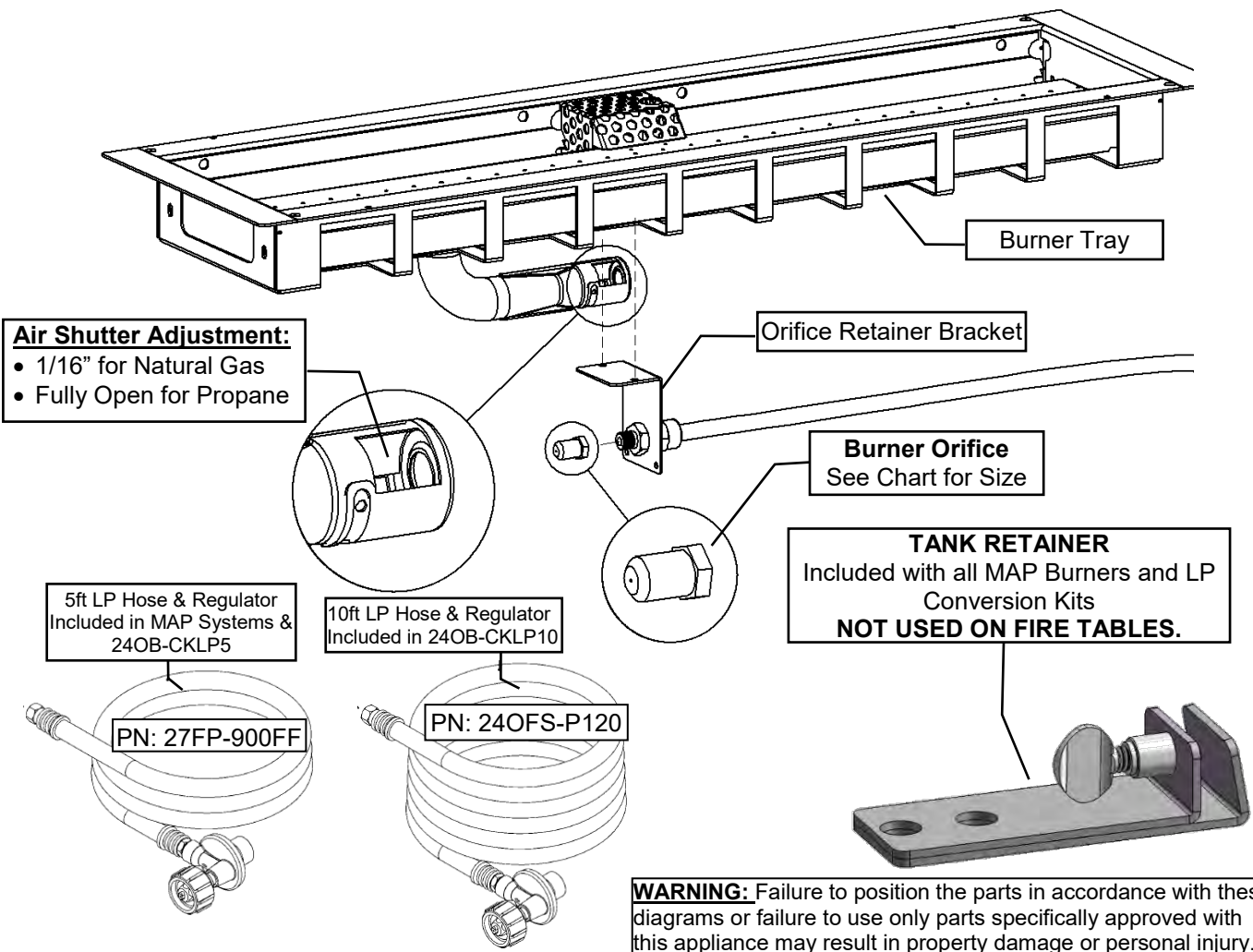
Caution- the gas supply shall be shut off prior to disconnecting the electrical power, before proceeding with the conversion.

TO CONVERT PROPANE (MAP) SYSTEMS TO NATURAL GAS (MAN):

1. Remove [2] screws from Orifice Retainer Bracket.
2. Remove Burner Orifice from Air Shutter. Using a 1/2" wrench, disconnect Burner Orifice from brass fitting and replace with supplied NG Burner Orifice.
3. Set Air Shutter Adjustment to **1/16"**.
4. Re-insert new Burner Orifice into Air Shutter.
5. Re-attach Orifice Retainer Bracket to Burner Tray.
6. Disconnect LP Hose and Regulator from Valve Assembly.

TO CONVERT NATURAL GAS (MAN) SYSTEMS TO PROPANE (MAP):

1. Remove [2] screws from Orifice Retainer Bracket.
2. Remove Burner Orifice from Air Shutter. Using a 1/2" wrench, disconnect Burner Orifice from brass fitting and replace with supplied LP Burner Orifice.
3. Set Air Shutter Adjustment **Fully Open**.
4. Re-insert new Burner Orifice into Air Shutter.
5. Re-attach Orifice Retainer Bracket to Burner Tray.
6. Connect LP Hose and Regulator to Valve Assembly.



WARNING

This conversion kit shall be installed by a qualified service agency in accordance with the manufacturer's instructions and all applicable codes and requirements of the Authority Having jurisdiction. If the information on in these instructions is not followed exactly, a fire, explosion or production of carbon monoxide may result causing property damage, personal injury or loss of life.

The qualified service agency is responsible for the proper installation of this kit. The installation is not proper and complete until the operation of the converted appliance is checked as specified in the manufacturer's instructions supplied with the kit.

- Gas Specifications -

Manual Valve Systems

Models	Fuel	Gas Control	Max / Min (Btu)	Orifice Size (0-4500ft)	Air Shutter Opening	Gas Inlet Size	Gas Supply Pressure (Inches w.c.)	Manifold Pressure Low	Manifold Pressure High
OB24MAN	Natural Gas	Dante Adjustable	40,000	#40	1/16" Open	Dante 3/8" NPT	5" Min 10" Max	5" Min	10" Max
OB24MAP	Propane	Dante Adjustable	40,000	#50	Fully Open	Dante 3/8" NPT	10" Min 13" Max	10" Min	13" Max
OB36MAN	Natural Gas	Dante Adjustable	60,000	#31	1/16" Open	Dante 3/8" NPT	5" Min 10" Max	5" Min	10" Max
OB36MAP	Propane	Dante Adjustable	60,000	#43	Fully Open	Dante 3/8" NPT	10" Min 13" Max	10" Min	13" Max
OB48MAN	Natural Gas	Dante Adjustable	63,500	#30	1/16" Open	Dante 3/8" NPT	5" Min 10" Max	5" Min	10" Max
OB48MAP	Propane	Dante Adjustable	60,000	#43	Fully Open	Dante 3/8" NPT	10" Min 13" Max	10" Min	13" Max

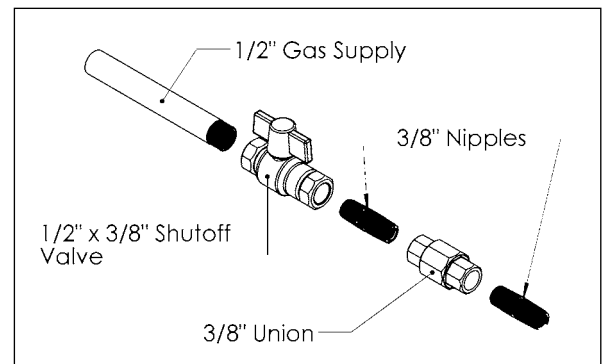
- Gas Line Installation -

This gas appliance should be installed by a qualified installer in accordance with local building codes and with current CAN/CGA - B149.1 or .2 installation codes for Gas Burning appliances and equipment in Canada and the National Fuel Gas Code ANSI Z223 in the U.S.A.

1. The gas pipeline can be brought in through either the left side or the bottom of the appliance. A knockout is provided at either location to allow for the gas pipe installation and testing of any gas connection.
2. The gas control inlet is 3/8" NPT. Typical installation layout for rigid pipe is shown at right.
3. When using copper or flex connector, use only approved fittings. Always provide a union so that gas line can be easily disconnected for burner or fan servicing. See gas specification for pressure details and ratings.
4. When a vertical section of gas pipe is required for the installation, a condensation trap is needed. See CAN/CGA-B149.1 or .2 for code details.
5. For natural gas, a minimum of 3/8" iron pipe with gas minimum pressure of 4.5" w.c. must be used for supply from the gas meter. Consult with the local gas utility if any questions arise concerning pipe sizes.
6. Ports are accessible for test gauge connection both on the inlet and outlet of the gas valve.
7. Turn the gas supply ON and check for leaks. **DO NOT USE OPEN FLAME FOR THIS PURPOSE.** Use an approved leak testing solution.
8. The appliance and its individual shutoff valve must be disconnected from the gas supply piping system during any pressure testing of that system at test pressures in excess of 1/2psig [3.5 KPa].
9. The appliance must be isolated from the gas supply piping system by closing its individual shutoff valve during any pressure testing of the gas supply piping system at test pressures equal to or less than 1/2psig [3.5 KPa].

Note: The gas line connection may be made of 1/2" rigid pipe, 1/2" copper pipe or an approved flex connector. Since some municipalities have additional local codes, it is always best to consult your local authorities and the current CAN/CGA - B149.1 or .2 installation code in Canada or the National Fuel Gas code ANSI Z223.1 in the U.S.A.

IMPORTANT: Always check for gas leaks with a soap and water solution. DO NOT USE OPEN FLAME FOR LEAK TESTING.

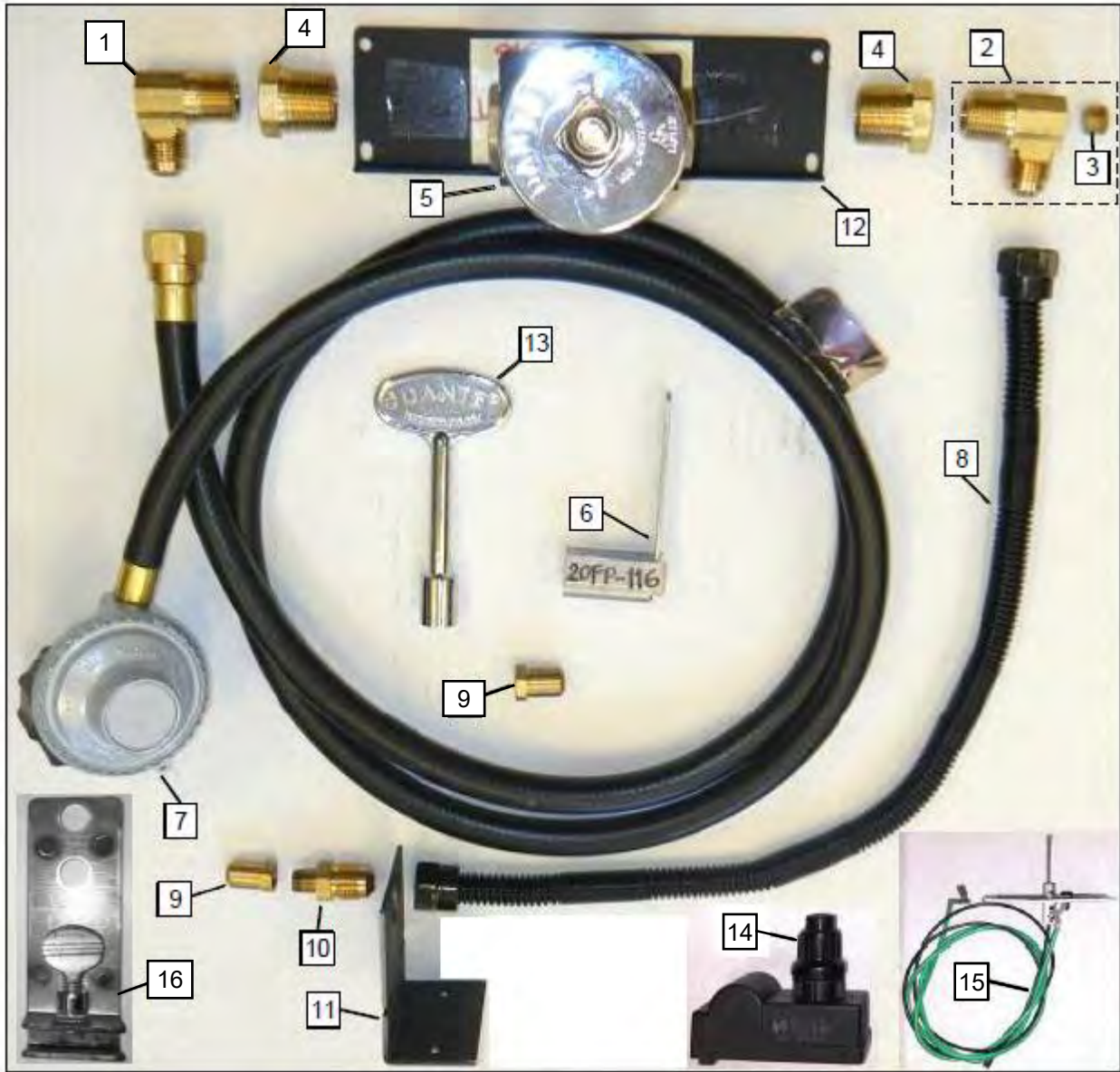


Outdoor Burners - Troubleshooting the Gas Control System

NOTE: Before troubleshooting the gas control system, be sure external gas shut off is in the "ON" position.

Problem	Possible Causes	Corrective Action
Spark igniter will not light	Defective or misaligned electrode at pilot.	Check for spark at electrode and pilot: if no spark and electrode wire is properly connected, replace igniter.
	Defective igniter (push-button)	Using a match, light pilot, If pilot lights, turn off pilot and push the red button again. If pilot will not light, check gap at electrode and pilot- gap should be 1/8" to 1/4" to have a strong spark.
Pilot will not light	Safety Switch is Depressed.	Clear any obstructions and make sure Lever Arm is not bent or damaged.
Pilot will not stay lit after carefully following lighting instructions.	Defective Valve Magnet	Turn valve knob "ON", place wall switch "ON". Millivolt meter should read greater than 100mv. If the reading is okay and the burner does not come on, replace the gas valve.
Pilot burning, no gas to burner, Valve knob "ON", Wall Switch "ON"	Wall Switch or wires defective	Check wall switch and wires for proper connections. Jumper wire across terminals at wall switch. If burner comes on, replace defective wall switch. If okay, jumper wire across wall switch wires at valve. If burner comes on, wires are faulty or connections are bad.
	Generator may not be generating sufficient voltage	Check generator with millivolt meter. Take reading at generator terminals of gas valve. Should read 325 millivolts minimum while holding valve knob depressed in pilot position and wall switch "OFF". Replace faulty generator if reading is below specified minimum.
	Plugged burner orifice	Check burner orifice for stoppage and remove.
	Defective automatic valve operator	Remove all switch wires from gas valve. Install jumper wires from TPTH and TH terminals of gas valve. Turn valve "ON". If main burner does not light, replace valve.
Frequent Pilot outage problem	Pilot flame may be too low or blowing (high) causing the pilot safety to drop out	Clean and/or adjust pilot flame for maximum flame impingement on generator.
	Windy Conditions	-Move appliance to a less windy area if possible -Use when conditions are less windy -Install a wind guard
Burners burn with yellow flame, accompanied by the smell of gas.	Possible spider web or other debris.	Thoroughly clean burner venturi.

Outdoor Burners – Plumbing Parts – OB24 / 36 / 48



OB24MAP / OB36MAP / OB48MAP

Part	Description
1. 3632HB-P496C	Brass Elbow, 3/8" Tube to 3/8"NPT
2. 3632HB-P496C-M	Brass Elbow, 3/8" Tube to 3/8"NPT, tapped, with Manometer Plug (30FPB-P118A) inserted
3. 30FPB-P118A	Brass Manometer Plug, 1/8" NPT
4. 24L-P110DC	Brass Bushing, 1/2" NPT x 3/8"FPT
5. 27FP-CPBVS	90° Ball Valve c/w Key Way Assembly (Dante)
6. 20FP-116	Key Way Installation Tool
7. 27FP-900FF	LP Reg & 5ft Hose (14T60GRQC)
8. 42MCV-P16FF	3/8" Stainless Steel Flex Connector -16" Long
9. 1000-255	Brass Orifice, NG or LP (Specify size).
10. 27FP-P904FF	3/8" Tube OD x 1/8"MPT
11. 24OB-102	Orifice Retainer Bracket
12. 24OB-105	Ball Valve Bracket
13. 30FPB-KEY	Ball Valve Key
14. 24OB-P152	Push Button Igniter (Battery not included)
15. 24OB-107A	Electrode Wire Assembly (c/w Mount Plate)
16. 24OB-121A	Tank Retainer

Outdoor Fire Tables - Parts List and Accessories

Listed for Canada and USA

NUMBER DESCRIPTION

Outdoor Fire Tables

OLT24GMAP	Outdoor Fire Table-24", Black with Gray End Doors, c/w Linear Burner 24" - Manual Valve Propane - 40,000 BTU
OLT24BMAP	Outdoor Fire Table-24", Black with Brown End Doors, c/w Linear Burner 24" - Manual Valve Propane - 40,000 BTU
OLT36GMAP	Outdoor Fire Table-36", Black with Gray End Doors, c/w Linear Burner 36" - Manual Valve Propane - 60,000 BTU
OLT36BMAP	Outdoor Fire Table-36", Black with Brown End Doors, c/w Linear Burner 36" - Manual Valve Propane - 60,000 BTU
OLT48GMAP	Outdoor Fire Table-48", Black with Gray End Doors, c/w Linear Burner 48" - Manual Valve Propane - 60,000 BTU
OLT48BMAP	Outdoor Fire Table-48", Black with Brown End Doors, c/w Linear Burner 48" - Manual Valve Propane - 60,000 BTU

Burners c/w Valve

OB24MAP*	Linear Burner 24" - Manual Valve Propane - 40,000 BTU
OB36MAP*	Linear Burner 36" - Manual Valve Propane - 60,000 BTU
OB48MAP*	Linear Burner 48" - Manual Valve Propane - 60,000 BTU

*LP Manual (MAP) valve systems are shipped with an accompanying orifice for NG conversion.

**Millivolt and IPI valve systems are shipped as NG systems (MVN & IPN) and require a Conversion Kit for LP conversion.

Conversion Kits

24OB-CKLP5	LP Conversion Kit for OB24-MAN c/w #50 Orifice, Tank Retainer Bracket, 5' Hose & Regulator
36-48OB-CKLP5	LP Conversion Kit for OB36-MAN, OB48MAN c/w #43 Orifice, Tank Retainer Bracket, 5' Hose & Regulator

Glass Media

5 lbs. per Foot of Burner (i.e.: 24" burner = 10lbs)

MQG5ZG	Glass Media - ZIRCON Glacier Ice - 5 lbs
MQG5A	Glass Media - 1/2" Cobalt Blue - 5 lbs
MQG5B	Glass Media - 1/2" Black - 5 lbs
MQG5C	Glass Media - 1/2" Bronze - 5 lbs
MQG5W	Glass Media - 1/2" White - 5lbs

Rocks And Logs

MQRBD3	Drift Wood - Log Set - 5 pcs.
MQRBD4	Drift Wood - Log Set 3 pcs.
MQROCK2	Rock Set - Contemporary Collection - Natural
MQROCK3	Rock Set - Contemporary Collection - Multi-Colored

MQSTONE	Decorative Stones - 80 pc. Set
---------	--------------------------------

MQSTONE10	Decorative Stones - 10 pc. Set
-----------	--------------------------------

RBCB1	Cannonballs - Assorted size and colors x 14
-------	---

Burner Replacement Parts

24OB-100A	Replacement Burner – No Valve
-----------	-------------------------------

36OB-100A	Replacement Burner– No Valve
-----------	------------------------------

48OB-100A	Replacement Burner– No Valve
-----------	------------------------------

24OB-FSK	Filler Strip Kit (3 Pcs.)
----------	---------------------------

36OB-FSK	Filler Strip Kit (3 Pcs.)
----------	---------------------------

48OB-FSK	Filler Strip Kit (3 Pcs.)
----------	---------------------------

24OB-258	Pilot Shield
----------	--------------

Outdoor Fire Table Parts

Table Bodies

OLT24BG	Outdoor Fire Table - Body (use 24" Burner) - Black with Gray End Doors
---------	--

OLT24BB	Outdoor Fire Table - Body (use 24" Burner) - Black with Brown End Doors
---------	---

OLT36BG	Outdoor Fire Table - Body (use 36" Burner) - Black with Gray End Doors
---------	--

OLT36BB	Outdoor Fire Table - Body (use 36" Burner) - Black with Brown End Doors
---------	---

OLT48BG	Outdoor Fire Table - Body (use 48" Burner) - Black with Gray End Doors
---------	--

OLT48BB	Outdoor Fire Table - Body (use 48" Burner) - Black with Brown End Doors
---------	---

Table Tops

OLT24TWG	Table Top - Wide - Black with Grey Trim - 42 13/16" L x 28 5/16 W
----------	---

OLT24TWB	Table Top - Wide - Black with Brown Trim - 42 13/16" L x 28 5/16 W
----------	--

OLT36TWG	Table Top - Wide - Black with Gray Trim - 54 13/16" L x 28 5/16 W
----------	---

OLT36TWB	Table Top - Wide - Black with Brown Trim - 54 13/16" L x 28 5/16 W
----------	--

OLT48TWG	Table Top - Wide - Black with Gray Trim - 66 13/16" L x 28 5/16 W
----------	---

OLT48TWB	Table Top - Wide - Black with Brown Trim - 66 13/16" L x 28 5/16 W
----------	--

Wind Guards -4 Sided-

A Wind Guard is **Required** for Outdoor Fire Tables, and recommended for Outdoor Burners and Fire Stands.

OB24WG	Wind Guard for 24" Burners- c/w Tempered Glass [4pcs], Corner Brackets [8pcs], and Rubber Feet [4pcs]
--------	---

OB36WG	Wind Guard for 36" Burners- c/w Tempered Glass [4pcs], Corner Brackets [8pcs], and Rubber Feet [4pcs]
--------	---

OB48WG	Wind Guard for 48" Burners- c/w Tempered Glass [4pcs], Corner Brackets [8pcs], and Rubber Feet [4pcs]
--------	---

Optional Burner Lids

24LT-LID Burner Lid for 24" - Black

36LT-LID Burner Lid for 36" - Black

48LT-LID Burner Lid for 48" - Black

Weather Covers

OB24WWC Weather Cover - Wide - Black

OB36WWC Weather Cover - Wide - Black

OB48WWC Weather Cover - Wide - Black

Replacement Glass And Brackets

24G-101 Glass Panel- 5-1/2"H x 9-5/8"W

24G-102 Glass Panel- 5-1/2"H x 28-3/16"W

36G-101 Glass Panel- 5-1/2"H x 40-3/16"W

48G-101 Glass Panel- 5-1/2"H x 52-3/16"W

24G-P202 Glass Corner Bracket- c/w neoprene glass mount screws

24G-P205 Bottom Button- Rubber base for Glass Corner Bracket (24G-P202)

Miscellaneous Items

27FP-900FF LP Regulator & 5ft Hose (I4T60GRQC)

LIMITED WARRANTY



Save this certificate. It gives you specific legal rights, and you may also have other rights which may vary from one province or state to another.

In the event your unit needs servicing contact your dealer or contractor who installed or services your unit. When requesting service, please have the model and serial number from each unit readily available. If your dealer needs assistance, the distributor is available for support and we, in turn support the distributor's efforts.

Fill in the installation date and model and serial numbers of the unit in the space provided below and retain this limited warranty for your files.

GENERAL TERMS

This limited warranty applies only while the unit remains at the site of the original installation and only if the unit is installed inside the continental United States, Alaska, Hawaii and Canada. The warranty applies only if the unit is installed and operated in accordance with the printed instructions and in compliance with applicable installation, building codes and good trade practices.

The burner is warranted against defects for five years. All other components such as gas valves, thermocouples, igniters, lights and media are warranted against defects for one year.

This limited warranty further does not cover any scratches, dents, painted finishes, corrosion or discoloring by heat, abrasive and chemical cleaners, nor chipping on porcelain powder coated parts.

During the first year after installation, we will provide a replacement for any component part of your unit found to be defective in materials or workmanship. The part to be replaced must be returned to our distributor in exchange for the replacement part.

In lieu of providing a replacement part, we may, at our option, provide the distributor's component purchase price from us or a credit equal to the distributor's component purchase price from us toward the purchase of any new unit which we distribute. If a credit is given in lieu of a replacement part, the rating plate from the unit being replaced must be submitted on a warranty claim and the unit being replaced must be made available to our distributor for disposition.

In establishing the date of installation for any purpose including determination of the starting date for the term of this limited warranty, reasonable proof of the original installation date must be presented*, otherwise the effective date will be based upon the date of manufacture plus thirty (30) days.

Any labor, material, freight and/or handling charges associated with any repair or replacement pursuant to this limited warranty will be your responsibility. In this warranty the word "installation" means original installation.

We will not be responsible for and you the user will pay for: (a) damages caused by accident, abuse, negligence, misuse, riot, fire, flood, or Acts of God (b) damages caused by operating the unit where there is a corrosive atmosphere containing chlorine, fluorine, or any other damaging chemicals (other than in a normal residential environment) (c) damages caused by any unauthorized alteration or repair of the unit affecting its stability or performance (d) damages caused by improper matching or application of the unit or the unit's components (e) damages caused by failing to provide proper maintenance and service to the unit (f) any expenses incurred for erecting disconnecting or dismantling the unit (g) parts or supplies used in connection with service or maintenance (h) damage repairs, inoperation or inefficiency resulting from faulty installation or application (i) electricity or fuel costs or any increase in electricity or fuel cost whatsoever including additional or unusual use of supplemental electric heat.

We shall not be liable for any incidental, consequential, or special damages or expenses in connection with any use or failure of this unit. We have not made and do not make any representation or warranty of fitness for a particular use or purpose and there is no implied condition of fitness for a particular use or purpose. We make no express warranties except as stated in this limited warranty. No one is authorized to change this limited warranty or to create for us any other obligation or liability in connections with this unit. Any implied warranties shall last for one year after the original installation. Some states and provinces do not allow the exclusion or limitation of incidental or consequential damages or do not allow limitations on how long an implied Warranty or condition lasts so the above limitations or exclusions may not apply to you. The provisions of this limited warranty are in additions to and not a modification of or subtraction from any statutory warranties and other rights and remedies provided by law.

Model No.: _____ Serial No.: _____

Date Installed: _____

*You must retain the original records that can establish the installation date of your unit.