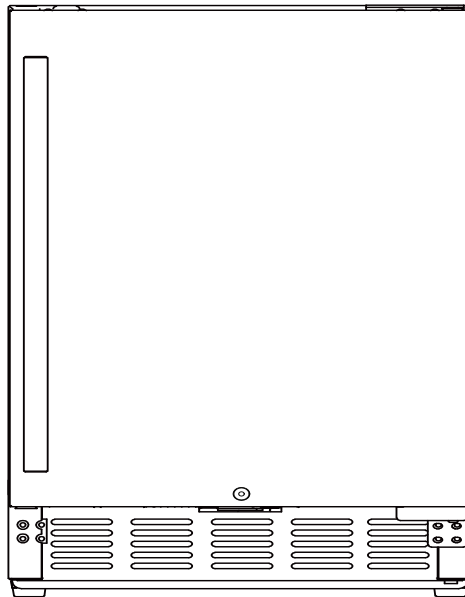


Renaissance Cooking Systems



REFR2a

Owner's Manual



RCS Indoor & Outdoor Electric Refrigerator

***PLEASE READ THE MANUAL THOROUGHLY PRIOR TO
EQUIPMENT SET-UP, OPERATION AND MAINTENANCE.***

This owner's manual was updated **May 2021**

SAVE THESE INSTRUCTIONS



INSTALLATION

IMPORTANT!!! PLEASE READ BEFORE INSTALLATION

- The appliance is designed for built-in, recessed or free-standing installation.
- Remove exterior and interior packaging.
- Use two or more people to move or install appliance. Failure to do so can result in back or other injury.
- If the unit has recently been transported, please let unit stand upright for a minimum of 24 hours before plugging it in.
- Make sure that the unit drops down to desired temperature before loading the unit with product.
- Make sure that there is proper ventilation around the unit in the area where it will operate. Never cover or block the front vent.
- Make sure all accessories are installed (i.e. shelves, shelf clips) before plugging the unit in.
- Clean interior surface with lukewarm water using a soft cloth.
- Install the handle of the door, if it is not already attached.
- Please read through the manual in its entirety.

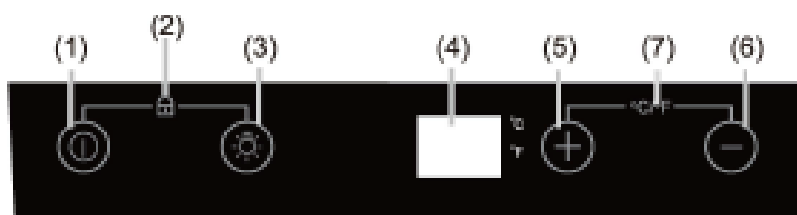
CABINET LOCATION GUIDELINES

- **Install the unit on strong and leveled surfaces**
 - unit may make unpleasant noises if surface is uneven
 - unit may malfunction if surface is uneven
 - place appliance on a floor that is strong enough to support it when it is fully loaded. To level the unit, adjust the front leveling legs.
- **Install the unit in a dry, well-ventilated area**
 - unit should be away from direct sunlight, Extreme cold ambient temperatures may also cause the unit not to perform properly.
 - do not install in a location that will fall below 10°C
- **Avoid installation in a high humidity and/or dusty area**
 - humidity could cause unit to rust and decrease efficiency or malfunction
 - dust collected on condenser coil will cause unit to decrease efficiency or malfunction. Clean the condenser coil at least once a month with a brush or clean cloth
- **For optimal energy consumption, it is suggested to keep 20" distance from heat emitting devices (ex: cooking appliances, radiators, water heaters, or similar devices) and moisture-generating equipment**
 - high ambient temperatures will cause the compressor to overwork, leading to higher energy bills and gradual breakdown of the unit
 - do not install behind a cabinet door or block the base grill.
- **For proper ventilation, please leave 6" of space at each side of the unit inside of the counter top, and please be sure that the underside of the unit is left unobstructed. And there should be air vent opened to the outside of the island**

INSTALLING THE STAINLESS STEEL HANDLE

Open door, pull back left side gasket to reveal screw holes. Take out the screws from bag in cabinet. Put the screws in the holes where the handle is to be installed. Align the handle with screws, tighten the screws using the screw driver until the handle is both flush and secured tightly against the door side. (DO NOT over-tighten as this may cause damage to the door surface).

TEMPERATURE CONTROLLER



1. Press and hold to turn the Power ON and OFF
2. Press and hold simultaneously to Unlock and Lock the Control Panel
3. Turns the Interior Light ON and OFF
4. Displays the Temperature
5. Increases Set Temperature 1 °c with Each Push
6. Decreases Set Temperature 1 °c with Each Push
7. Press and hold simultaneously to Alter the Temperature Display to Fahrenheit or Celsius

TEMPERATURE ALARM / DOOR ALARM

An audible alarm sounds if the storage temperature is not cold enough. The temperature display flashes at the same time.

The cause of the temperature being too high may be:

- Warm fresh food was placed inside
- Too much warm ambient air flowed in when rearranging and removing stored items
- Power failure for some time
- The appliance is faulty

The audible alarm is automatically silenced and the temperature display stops flashing when the temperature is sufficiently cold again.

If the door has been left open for more than 60 seconds, the alarm will sound. Pressing any key once can switch off the audible alarm.

ELECTRICAL

Please ensure that the required voltage of the compressor is being supplied at all times (110-120v AC). Low or high voltage can detrimentally affect the refrigeration unit. The power cord of this appliance is equipped with a three-prong plug which mates with standard three-prong wall outlets to minimize the possibility of electrical shock. Do not under any circumstances cut or remove the third (ground) prong from the power cord supplied.

All units should be plugged into a grounded and properly-sized electrical outlet with appropriate over current protection. Please refer to the electrical requirements on the nameplate. Please make sure that your unit has its own dedicated outlet. Do not use an extension cord. To prevent accidental injury, the power cord should be secured behind the appliance and not left exposed or dangling. Repair or replace immediately all power cords that have become frayed or otherwise damaged. Do not use a cord that shows cracks or abrasion damage along its length or at either end.

EXTENSION CORD

Because of potential safety hazards under certain conditions, it is strongly recommended that you do not use an extension cord with the appliance. However if you must use an extension cord it is absolutely necessary that it be a certification listed, 3-wire grounding type appliance extension cord having a grounding type plug and outlet that the electrical rating of the cord be 220 volts.

Use Tips

Storing Foods

- Foods to be stored in the refrigerator should be properly packed so as to prevent mixing various moisture degrees and odors.
- Make sure that foodstuffs do not touch each other. Assure adequate air circulation around packages.
- Never store flammable, volatile or explosive substances.
- Beverages with high alcohol percentage shall be stored in tightly sealed bottles in vertical position.
- Food should not touch the rear wall of the refrigerator.
- Try not to open the door too often,
- Make sure to remove perishable articles of food out of the appliance before you leave for a long time.
- May be used for storage of medication and other medical products.

SAFETY / WARNING

Please pay close attention to the safety notices in this section. Disregarding these notices may lead to serious injury and/or damage to the unit.

ATTENTION

- To minimize shock and fire hazards, be sure not to overload outlet. Please designate one outlet for your unit.
- Do not use extension cords.
- Do not put your hands under the unit when the unit is required to be moved.
- When the unit is not in use for a long period of time, please unplug the unit from the outlet.
- After unplugging the unit, wait at least 10 minutes before re-plugging it. Failure to do so could cause damage to the compressor.
- Do not kink or pinch the power supply cord of the appliance.
- The appliance must be installed with all electrical connections in accordance with state and local codes.
- All installations must be in accordance with local plumbing code requirements.
- Do not defrost the appliance with other electric appliances (for example a hair dryer) and never attempt to scrape /remove ice/frost with sharp objects. Use only enclosed tools or tools recommended by the manufacturer.
- Never allow children to operate, play with or crawl inside the appliance.
- Keep fingers out of the "pinch point" areas. Clearances between the door and cabinet are necessarily small. Be careful closing door when children are in the area.
- Use this appliance only for its intended purpose as described in this instruction manual.

UNPLUG CORD

- To minimize shock and fire hazards, please do not plug or unplug the cord with wet hands.
- During maintenance and cleaning, please unplug the unit.
- Never unplug the appliance by pulling on the power cord. Always grip the plug firmly and pull straight from the receptacle.

PROPER GROUding REQUIRED

- To minimize shock and fire hazards, make sure that the unit is properly grounded.

CAUTION!!!

- Do not attempt to remove or repair any component unless instructed by factory.
- Make sure that the unit is not resting on or against the electrical cord and plug.
- To minimize personal injury, do not hang on the doors.
- Do not store any flammable and explosive gas or liquids inside the unit.
- Do not attempt to alter or tamper with the electrical cord.

REGULAR MAINTENANCE

Automatic Defrosting of the Refrigerator

- There is no need to defrost the refrigerator, because ice depositing on the inner back wall is defrosted automatically.
- Ice build-up on the inner back wall during the compressor operation; will (when the compressor has cycled off) defrost automatically. Defrost water collects inside the drain by passing through the drain outlet in the inner back wall into a drain pan situated above the compressor. From there it automatically evaporates.

CLEANING THE CONDENSER COIL

- For efficient operation, it is important that the condenser surface be kept free of dust, dirt, and lint. Do not use any sharp objects to clean.
- We recommend cleaning the condenser coil and fins at least once per month.
- Clean with a commercial condenser coil cleaner, available from any kitchen equipment retailer. Brush the condenser fins from top to bottom, not side to side.
- After cleaning, straighten any bent condenser fins with a fin comb.

CLEANING THE FAN BLADES AND MOTOR

If necessary, clean the fan blades and motor with a soft cloth. If it is necessary to wash the fan blades, cover the fan motor to prevent moisture damage.

CLEANING THE INTERIOR OF UNIT

- Turn off the power, unplug the appliance, and remove all items, including shelves.
- When cleaning the cabinet interior, use warm water and baking soda. (about two tablespoons of baking soda to a quart of water).
- Wash door gaskets on a regular basis, preferably weekly. Simply remove door gasket from the frame of the door, soak in warm water and soap for thirty (30) minutes, dry with soft cloth, and replace.

- Check door gaskets for proper seal after they are replaced.
- Periodically remove the shelves and clips from the unit and clean them with mild soap and warm water. To remove the clips, first remove the shelves and shelf brackets. Then, simply lift the clip up and out.
- **Wring excess water out of sponge or cloth when cleaning the area where the controls are located or any electrical parts.**

CLEANING THE EXTERIOR OF UNIT

- Wash the outside cabinet with warm water and mild liquid detergent. Rinse well and wipe dry with a clean soft cloth
- Use an approved stainless steel cleaner to clean the outside of the door and handle.
- Do not use steel wool, caustic soap, abrasive cleaners, or bleach that may damage the stainless steel surface.

WARNING

Disconnect power cord before cleaning any parts of the unit or when you will not be using the appliance for long periods of time!

CAUTION: FAILURE TO UNPLUG THE APPLIANCE BEFORE CLEANING COULD RESULT IN ELECTRICAL SHOCK OR OTHER PERSONAL INJURY.

POWER FAILURE

Most power failures are corrected within a few hours and should not affect the temperature of your appliance if you minimize the number of times the door is opened. If the power is going to be off for a longer period of time, you need to take the proper steps to protect the contents.

VACATION TIME

- **Short Vacations:** Leave the appliance operating during vacations of less than three weeks.
- **Long Vacations:** If the appliance will not be used for several months, remove all items and turn off the appliance. Clean and dry the interior thoroughly. To prevent odor and mold growth, leave the door open slightly, blocking it open if necessary.

MOVING YOUR APPLIANCE

Remove all items. Securely tape down all loose items (shelves) inside your appliance. Turn the adjustable legs up to the base to avoid damage. Tape the door shut. Be sure the appliance stays secure in the upright position during transportation. Also, protect the outside of the appliance with a blanket or similar item.

ENERGY SAVING TIPS

- The appliance should be located in the coolest area of the room or outdoor location, away from heat producing appliances and out of direct sunlight.
- Ensure that the unit is adequately ventilated. Never cover air vents
- Do not keep the door open any longer than necessary.
- Let hot foods cool to room temperature before placing in the unit. Overloading the unit forces the compressor to run longer.
- Be sure to wrap foods properly, and wipe containers dry before placing them in the unit. This cuts down on frost build up inside the unit.
- Unit shelves and storage bins should not be lined with aluminum foil, wax paper or paper toweling. Liners interfere with cold air circulation, making the unit less efficient.
- Organize and label stored items to reduce door openings and extended searches.
- Remove as many items as needed at one time, and close the door as soon as possible.

RISK TO CHILDREN

Children entrapment and suffocation are not problems of the past. Junked or abandoned appliances are still dangerous, even if they will "just sit for a few days".

Before discarding your old refrigerator:

- Take off the doors
- Leave the shelves in place so that children may not easily climb inside.

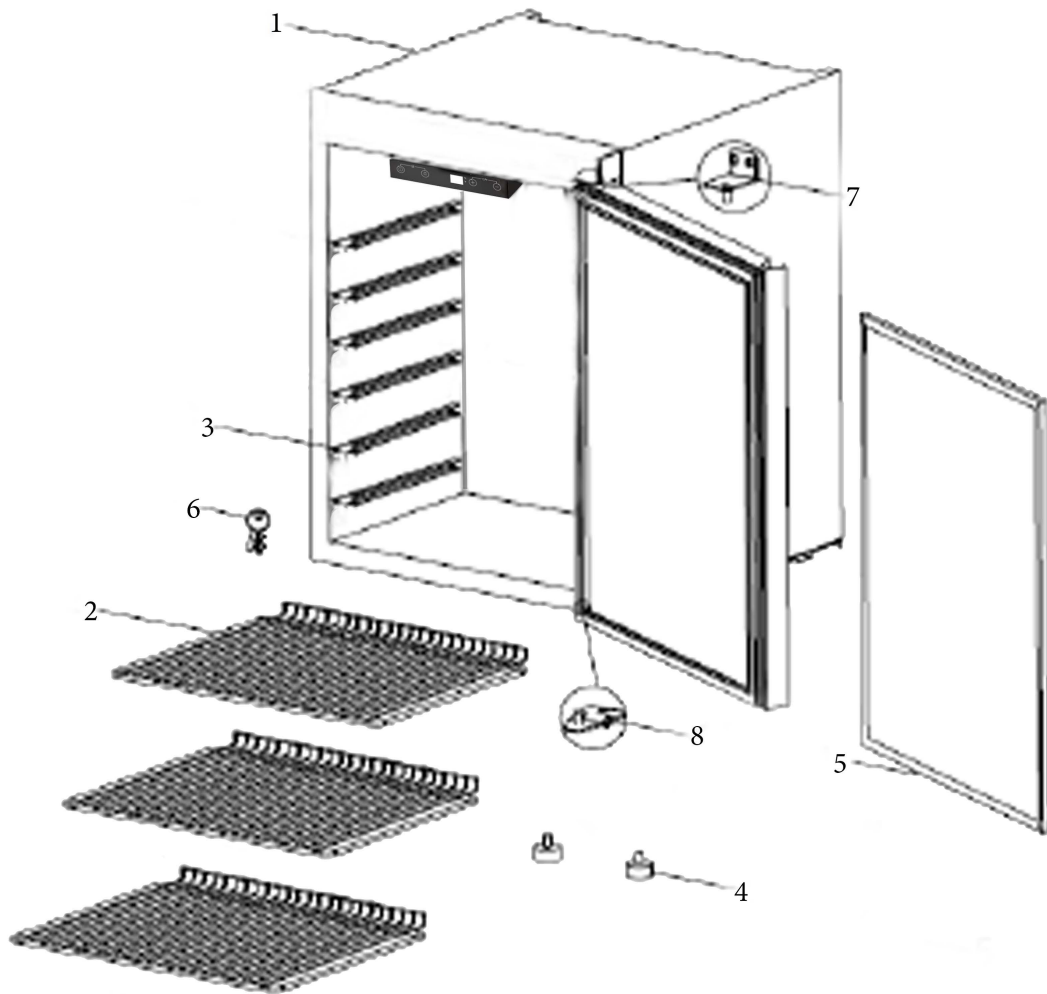
TROUBLE SHOOTING

Before requesting any service on your unit, please check the following points. Please note that this guide serves only as a reference for solutions to common problems.

SYMPTOM	POSSIBLE CAUSE	CORRECTIVE ACTION
Compressor not running.	Fuse blown or circuit breaker tripped. Power cord unplugged. Thermostat set too high.	Replace fuse or reset circuit breaker. Plug in power cord. Set thermostat to lower temperature. Replace Temp Sensor / Display
Condensing unit runs for long periods of time.	Excessive amount of warm product placed in cabinet. Prolonged door opening or door ajar. Door gasket(s) not sealing properly. Dirty condenser coil. Evaporator coil iced over.	Allow adequate time for product to cool down. Ensure doors are closed when not in use. Avoid opening doors for long periods of time. Ensure gaskets are snapped in completely. Remove gasket and wash with soap and water. Check condition of gasket and replace if necessary. Clean the condenser coil. Unplug unit and allow coil to defrost. Make sure thermostat is not set too cold. Ensure that door gasket(s) are sealing properly.
Cabinet temperature is too warm.	Thermostat set too warm. Blocking air flow. Excessive amount of warm product placed in cabinet. Fuse blown or circuit breaker tripped. Dirty condenser coil. Prolonged door opening or door ajar. Evaporator coil iced over.	Set thermostat to lower temperature. Re-arrange product to allow for proper air flow. Make sure there is at least four inches of Clearance from evaporator. Allow adequate time for product to cool down. Replace fuse or reset circuit breaker. Clean the condenser coil. Ensure doors are closed when not in use. Avoid opening doors for long periods of time. (see above)

Cabinet is noisy.	Loose part(s). Tubing vibration. Fan is unbalanced.	Locate and tighten loose part(s). Ensure tubing is free from contact with other tubing or components.
Fridge not cooling but internal lights are on	Compressor or Relay's Have Failed	If the compressor is hot, the compressor has failed. If the compressor is cold, the relay's failed. Replaceable Part.
The light does not work	Appliance is not connected to a power supply. Tripped circuit breaker or a blown fuse. The light was switched off on the control panel.	Connect the appliance. Switch on circuit breaker or replace fuse Switch on the light.
Vibrations	The appliance is not properly leveled.	Level the appliance with the adjustable feet.
The door will not close properly	The appliance is not properly level. The gasket is dirty. The shelves are out of position.	Level the appliance with the adjustable feet. Check the door hinge and reassemble correctly. Clean the door gasket Check the shelves and refit correctly.
The alarm sounds and the temperature display flashes.	Has the appliance door been open for longer than 60 seconds? If yes, close the door. If not, then the temperature has risen higher or fallen lower than the temperature that has been set This could be due to: The appliance door being opened too often. The ventilation opening being covered or too dusty. A lengthy interruption in the power supply. A large amount of food has been added to the unit.	Do not open the door more often than necessary. Clear the obstructions and clean the dust. Leave the appliance to work for a while until the set temperature has been reached.

Parts Diagram



Parts List

Number	Description	Quantity
1	Cabinet	1
2	Wire Shelf	3
3	Slide Set	6
4	Level Adjuster	2
5	Door Gasket	1
6	Door Key	2
7	Upper Hinge	1
8	Lower Hinge	1



Renaissance
Cooking Systems

Renaissance Cooking Systems Product Warranty

RCS is proud to provide the industries most comprehensive warranty program.

All RCS **refrigeration and sink** products are warranted to be free from manufacturer defects for 5 years to the original owner.

This RCS warranty is effective for product sales beginning January 1st, 2020.

For service assistance, please reach out to us at the email address below. You may also check our website for lots of great information on using, servicing, or cooking on your new RCS grill.

This warranty excludes normal surface corrosion, discoloration, surface scratches and surface rust which may occur. Improper maintenance, salt spray, chemicals, pesticides will affect the look and integrity of the components of this grill. RCS will not be responsible for any damage caused as a result of not following owner's manual instructions. This non-transferrable warranty is limited to the replacement of original (one-time) defective parts, does not include shipping and labor to remove or install replacement parts, if necessary. The owner must retain and submit their original receipt with any warranty claim to receive warranty parts. The warranty applies to the original owner only. Coverage is for residential use only, no commercial applications apply. No registration required.