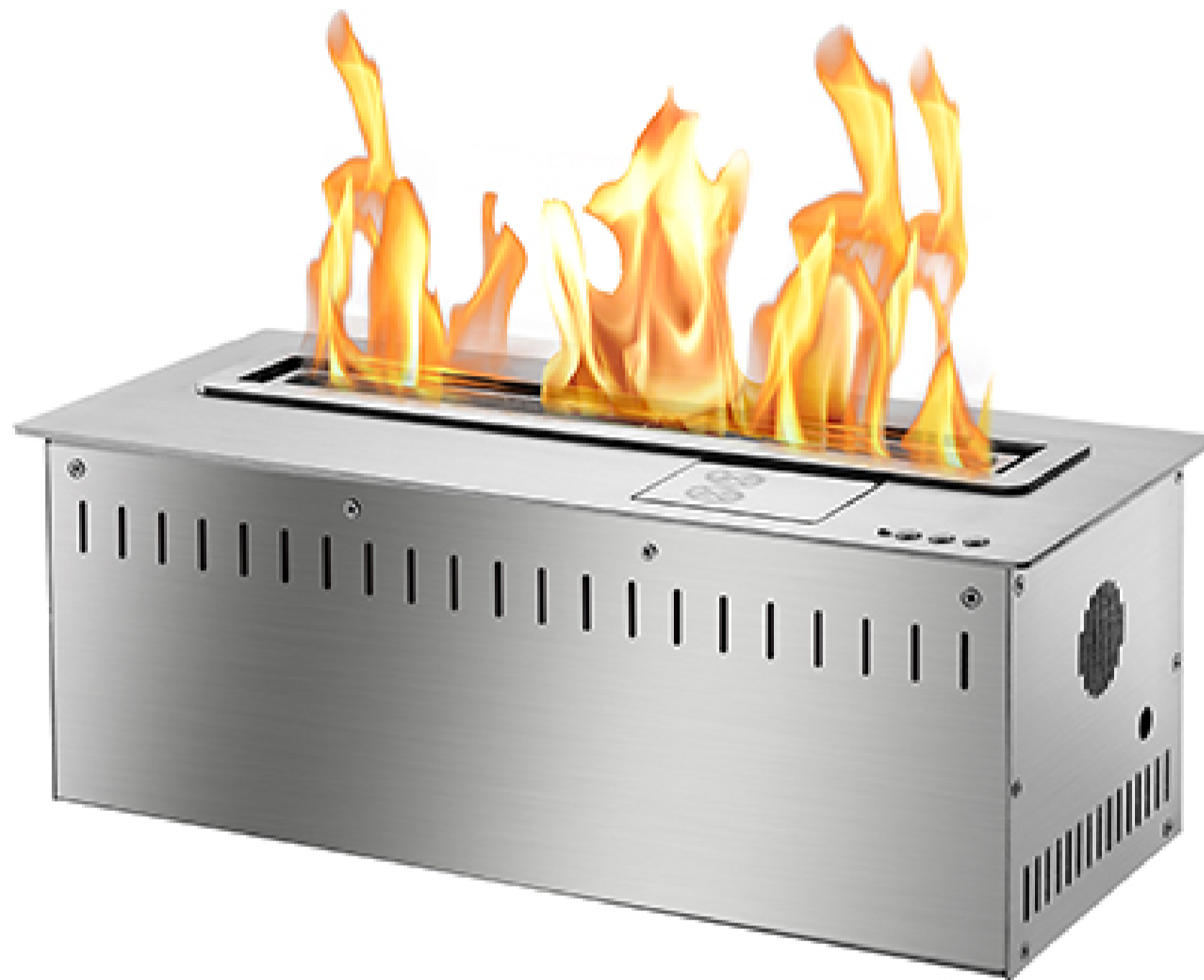


Smart Burner Collection

18" RC Smart Burner

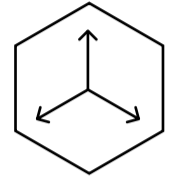
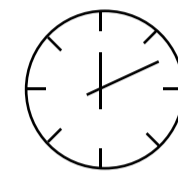
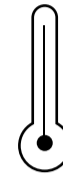
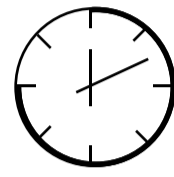
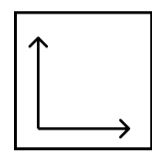
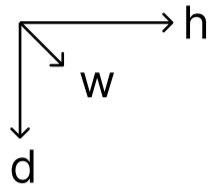


Included Accessories



Smart Burner Collection

18" RC Smart Burner



Dimensions H x W x D mm/in	Fuel Capacity	Heats on Average (indoors)	Fuel Consumption	Thermal Output Net (MAX)	Approx. Burn Time	Minimum Room Size (per burner)
457.2 x 193 x 168 18.0 x 7.6 x 6.6	3L	Over 33m ² [355 ft ²]	0.40L per hour	8,840 BTU - 11,300 BTU (3.3 kW.h)	8 hours	150 sq. ft.

Awards

2010 Winner Outdoor Hearth Products
Vesta Awards

Application

Indoor & Outdoor

Burner Colour

● Stainless Steel ● Black

Materials

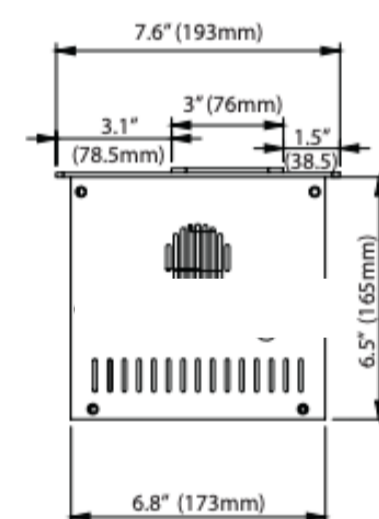
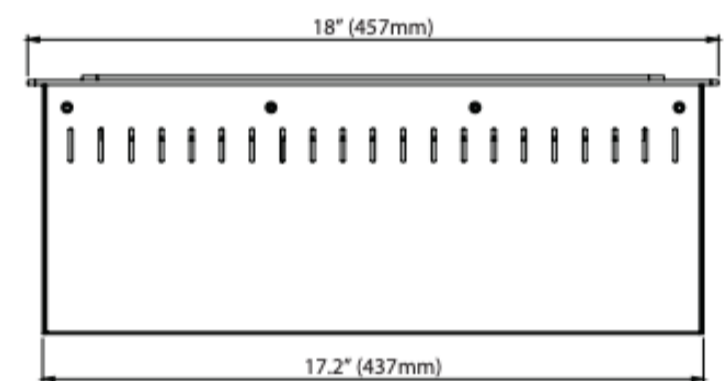
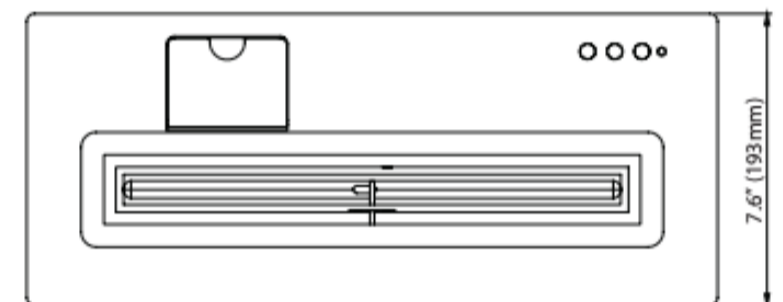
304 Stainless Steel Construction
Insulated Bottom Tray

Remote Info

- 6 Adjustable Heat Settings
- Safety Sensors
- WiFi Control Smartphone App
- Automatic Fuel Refill System

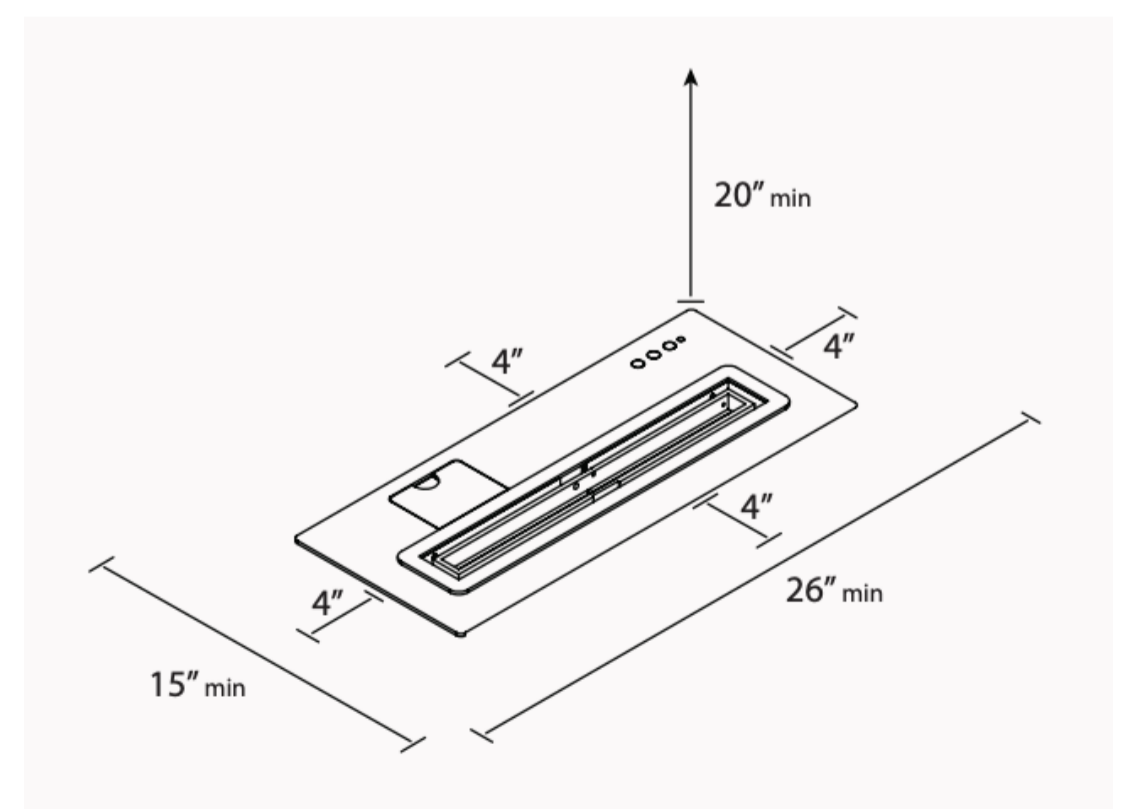
Fuel Type

Bio Ethanol Fuel



Inserting within a firebox setting:

The Bio Flame 18" RC BURNER can only be fitted into a non-combustible firebox that has minimum clearances of 26"W x 20"H x 15"D



Global Compliance
All burners are UL Listed in accordance with ANSI/UL1370 in the USA and comply with the ACCC Safety Mandate for Australia.



Lifetime Warranty

FOR MORE INFORMATION PLEASE REFERENCE THE CLEARANCE & INSTALLATION MANUAL

*Dimensions may vary by 2% (plus or minus) due to material attributes. Template not provided. The Bio Flame recommends using the actual fireplace or burner model when making final cut out

