



**PREMIUM DOUBLE DRAWER
OUTDOOR RATED REFRIGERATOR
MODEL # 17400
OWNERS MANUAL**



**BEFORE INSTALLATION OR USE, PLEASE READ AND
FOLLOW ALL SAFETY RULES AND OPERATING INSTRUCTIONS**

Write Serial No. in box below for future reference

Serial No. _____

Version 1



TABLE OF CONTENTS

PAGE NO.

GETTING STARTED

- PRODUCT REGISTRATION INSTRUCTIONS 3
- PRODUCT SERIAL NUMBER LOCATIONS 3
- APPLIANCE SAFETY AND IMPORTANT SAFEGUARDS 4

INSTALLATION

- SITE PREPARATION 5
- ANTI-TIP BRACKET INSTALLATION 5-6
- LEVELING THE UNIT 6
- INSTALLING DRAWER HANDLES 6
- ELECTRICAL AND PLUMBING CONNECTION 7
- EXTENSION CORD 7

OPERATING YOUR REFRIGERATOR:

- CONTROL PANEL 8

CARE AND MAINTENANCE:



- CLEANING AND MAINTENANCE 8
- POWER FAILURE 9
- VACATION TIME (OFF-SEASON SET-UP) 9
- MOVING YOUR REFRIGERATOR 9
- ENERGY SAVING TIPS 9

TROUBLESHOOTING 10

PARTS LIST AND ILLUSTRATION 11

HOW TO ORDER REPLACEMENT PARTS 12

WARRANTY INFORMATION 13

 **WARNING: THIS PRODUCT CAN EXPOSE YOU TO CHEMICALS INCLUDING CARBON MONOXIDE,**  WHICH IS KNOWN TO THE STATE OF CALIFORNIA TO CAUSE BIRTH DEFECTS OR OTHER REPRODUCTIVE HARM. FOR MORE INFORMATION VISIT www.P65Warnings.ca.gov



REGISTERING YOUR REFRIGERATOR

In order to validate your Bull Limited Warranty, you must complete the Warranty Registration Card within 90 days from the Proof of Purchase. You may register your unit either online at www.bullbbq.com or by sending in the completed hard copy along with a copy of the Proof of Purchase to:

Bull Outdoor Products, Inc.,
2483 W. Walnut Ave.
Rialto, CA 92376
ATTN: Warranty Service Center

FOR WARRANTY PURPOSES, PLEASE RECORD OR RETAIN THE FOLLOWING:

- 1) MODEL NUMBER**
- 2) SERIAL NUMBER**
- 3) DATE OF PURCHASE**
- 4) COPY OF YOUR RECEIPT OR INVOICE**

LOCATION OF SERIAL NUMBER

Essential information about your product is encoded in the serial number. This information will be required for all warranty claims, ordering replacement parts and will identify any variations of your unit. It is extremely important that you record your serial number and register your grill from the Proof of Purchase. The Serial number info can be found in the locations shown below:

The serial number info is on the top and on each side of the box it was shipped in.

Model# -		
UPC# -		
Serial# -		

GRILLFORGOOD

--	--	--	--

Model# -

UPC# -

Serial# -

Product Identification# -

Caution - Risk of Fire or Explosion due to Flammable Refrigerant Used. Follow Handling Instructions carefully in Compliance With U.S. and Canadian Government Regulations.

The data plate on the back of the unit also shows the serial number.

Serial:	<table border="1"><tr><td colspan="2">Premium Double Drawer Fridge 17400</td></tr><tr><td colspan="2">Designed Pressure</td></tr><tr><td>High Side</td><td>220 PSI</td></tr><tr><td>Low Side</td><td>43 PSI</td></tr><tr><td>Refrigerant</td><td>R600a</td></tr><tr><td>Charge</td><td>0.88 Ounce</td></tr><tr><td>Rated Voltage</td><td>AC 115V/1PH/60HZ</td></tr><tr><td>Rated Current</td><td>1.3 A</td></tr></table>	Premium Double Drawer Fridge 17400		Designed Pressure		High Side	220 PSI	Low Side	43 PSI	Refrigerant	R600a	Charge	0.88 Ounce	Rated Voltage	AC 115V/1PH/60HZ	Rated Current	1.3 A
Premium Double Drawer Fridge 17400																	
Designed Pressure																	
High Side	220 PSI																
Low Side	43 PSI																
Refrigerant	R600a																
Charge	0.88 Ounce																
Rated Voltage	AC 115V/1PH/60HZ																
Rated Current	1.3 A																
Product Identification:																	
	<small>CONFORMS TO UL STD. 60335-1 & 60335-2-24 CERTIFIED TO CSA STD C22.2# NO. 60335-1 & 60335-2-24</small>																



APPLIANCE SAFETY AND IMPORTANT SAFEGUARDS

APPLIANCE SAFETY

Your safety and the safety of others are very important.

We have provided many important safety messages in this manual and on your appliance. Always read and obey all safety messages.



This is the Safety Alert Symbol. The symbol alerts you to potential hazards that can kill or injure you and others. All safety messages will follow the Safety Alert Symbol and either the word DANGER or WARNING.



DANGER means that failure to heed this safety statement may result in severe personal injury or death.



WARNING means that failure to heed this safety statement may result in extensive product damage, serious personal injury, or death.

All safety messages will alert you about the potential hazard, tell you how to reduce the chance of injury, and let you know what can happen if the instructions are not followed.

IMPORTANT SAFEGUARDS



Before the appliance is used, it must be properly positioned and installed as described in this manual, so read the manual carefully. To reduce the risk of fire, electrical shock or injury when using the appliance, follow basic precautions, including the following:



Plug into a grounded 3 prong outlet, do not remove grounding prong, do not use an adapter, and do not use an extension cord.

Replace all panels before operating

It is recommended that a separate circuit serving only your appliance be provided. Use receptacles that cannot be turned off by a switch or pull chain

Never clean appliance parts with flammable fluids. These fumes can create a fire hazard or explosion. And do not store or use gasoline or other flammable vapors and liquids in the vicinity of this or any other appliance. The fumes can create a fire hazard or explosion.

Do not connect or disconnect the electric plug when your hands are wet.

Unplug the appliance or disconnect power before cleaning or servicing. Failure to do so can result in electrical shock or death.

Do not attempt to repair or replace any part of your appliance unless it is specifically recommended in this manual. All other servicing should be referred to a qualified technician.

INSTALLATION INSTRUCTIONS

BEFORE USING YOUR APPLIANCE

Remove the exterior and interior packing.

Before connecting the appliance to the power source, let it stand upright for approximately 24 hours. This will reduce the possibility of a malfunction in the cooling system from handling during transportation.

Clean the interior surface with lukewarm water using a soft cloth.

Install the handle on the door, if it is not already attached

INSTALLATION OF YOUR APPLIANCE

Your outdoor drawers refrigerator have been designed for both built-in and free standing. When built-in, your refrigerator drawers do not require additional air space for top, side, or rear. The front grille must NOT be obstructed.

Note: It is recommended that you do not install the appliance near an oven, radiator or other heating source. And heat sources may increase electrical consumption. Don't install in a location where the temperature will fall below 50 °F (10°C). For best performance, do not install the appliance behind a cabinet door or block the base grille.

Avoid locating the unit in moist areas.

Plug the appliance into an exclusive, properly grounded wall outlet.



Risk of child entrapment!

Child entrapment and suffocation are not problems of the past. Junked or abandoned appliances are still dangerous, even if they will "just sit" for a few days".

Before discarding your old refrigerator:

Take off the doors

Leave the shelves in place so that children may not easily climb inside.

SAVE THESE INSTRUCTIONS



SITE PREPARATION

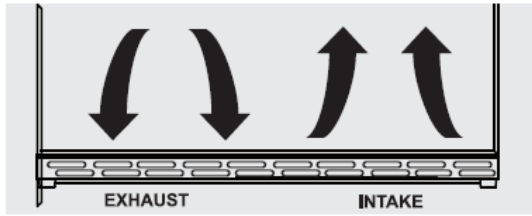


1) Position the unit on a flat, level surface capable of supporting the entire weight of the unit.

Note that your Refrigerator will be significantly heavier once it is fully loaded.

Before filling, wipe out inside of unit with a damp cloth.

2) Position the unit to allow free air flow through the front grill as shown below



3) The Refrigerator must be installed according to your local codes and ordinances.

4) **ELECTROCUTION HAZARD!**



Electrical Grounding Required – This appliance is equipped with a 3 prong (grounding) polarized plug for your protection against possible shock hazards.

- NEVER remove the grounding prong from the plug.
- NEVER use a 2 prong grounding adapter.
- NEVER use an extension cord connect power to the unit.

Where a 2 prong wall receptacle is encountered or a longer power cord is Required, contact a qualified electrician to have it replaced in accordance with Applicable electrical codes.

5) Be sure to install the Anti-Tip bracket using the kit provided. Please note safety concerns below.

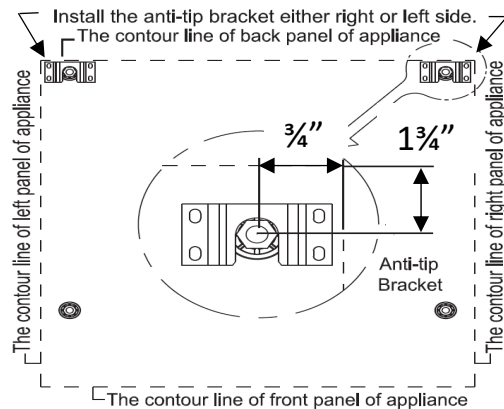
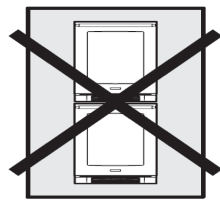
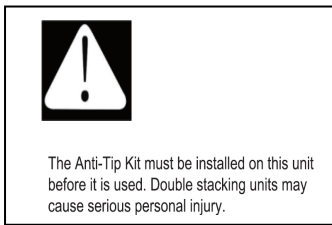


Figure 1

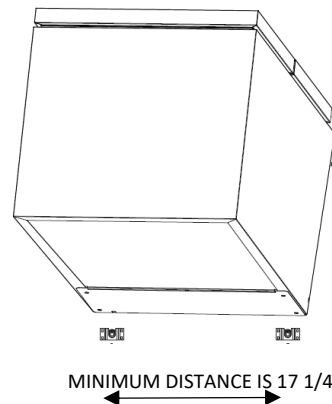
ANTI-TIP BRACKET INSTALLATION

Your Refrigerator comes with an Anti-Tip Bracket that must be properly installed per instructions below to reduce the risk of tip over due to abnormal use or improper loading

STEP 1

- Per Figure 1, Place the Anti-Tip bracket on the floor with the intention of mounting it on either the left or right side.
- Per Figure 2, Keep the tow bracket distance to 22 1/4 inches.
- Mark the location of the 4 holes for the bracket on the floor.
- Use a 5/16 masonry drill bit and insert the plastic anchors
- Secure bracket to floor using screws.

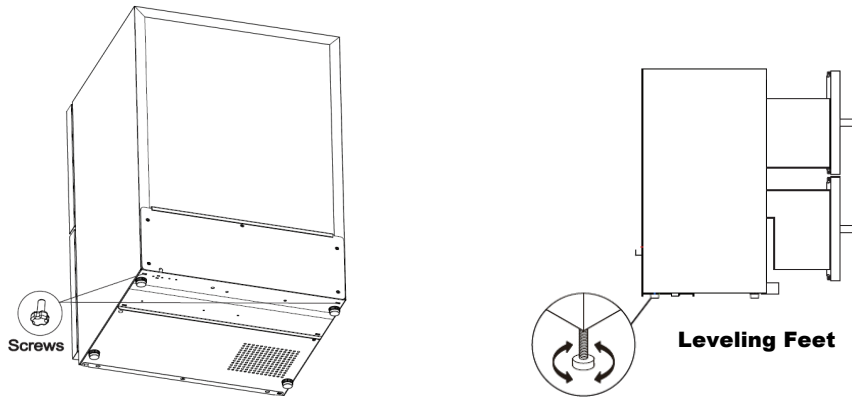
Figure 2



ANTI-TIP BRACKET INSTALLATION (CONTINUED)

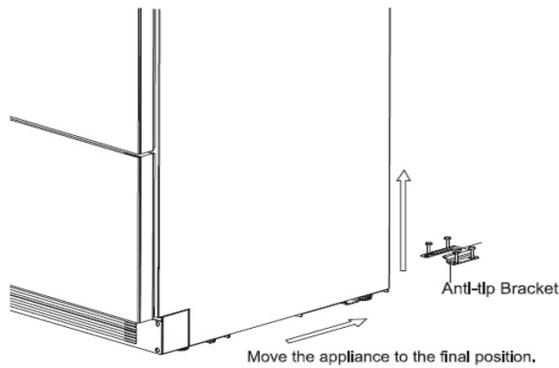
STEP 2

- Lift the bottom of the unit as shown below.
- Use a screwdriver to remove the screws indicated next to the leveling feet. This enables you to adjust the leveling feet. Note, to prevent the leveling feet from falling out of their mounts, do not loosen the leveling feet distance more than 1/8 inch.



STEP 3

- Tilt the unit up so it will clear the Anti-Tip Bracket before sliding the leg of the refrigerator engages the anti-tip bracket for final positioning.



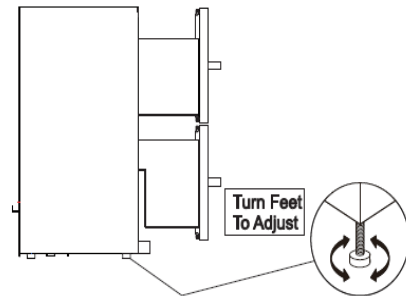
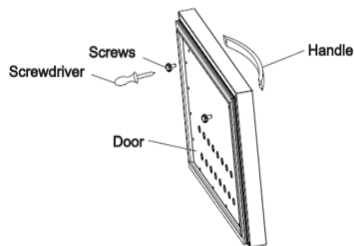
IMPORTANT! Do not use Refrigerator without the Anti-Tip Bracket in place.

LEVELING YOUR REFRIGERATOR

Position the unit on a flat level surface capable of supporting the entire weight of the unit when full. This unit contains 4 adjustable leveling feet. Turn clockwise to raise and counterclockwise to lower.

INSTALLING THE DRAWER HANDLES

Use provided screws to install finger tight and verify handle lines up straight to drawer before tightening with screw driver per figure shown.



ELECTRICAL / PLUMBING CONNECTIONS

CIRCUIT DIAGRAM

**Premium Double
Drawer Fridge
17400**

Designed Pressure	
High Side	220 PSI
Low Side	43 PSI
Refrigerant	R600a
Charge	0.86 Ounce
Rated Voltage	AC 115V/1PH/60HZ
Rated Current	1.3 A

Intertek
4008961

CONFORMS TO UL STD.
60335-1 & 60335-2-24
CERTIFIED TO CSA STD. C22.2# NO.
60335-1 & 60335-2-24

Serial: _____

Product Identification: _____

⚠ WARNING
Improper use of the grounded plug can result in the risk of electrical shock. If the power cord is damaged, have it replaced by a qualified electrician or an authorized service center.

This appliance should be properly grounded for your safety. The power cord of this appliance is equipped with a three-prong plug which mates with standard three-prong wall outlets to minimize the possibility of electrical shock.

Do not under any circumstances cut or remove the third (ground) prong from the power cord supplied. For personal safety, this appliance must be properly grounded. Any questions concerning power and/or grounding should be directed toward a certified electrician or an authorized service center.

This appliance requires a standard 115/120 Volt AC~60Hz three-prong grounded electrical outlet. Have the wall outlet and circuit checked by a qualified electrician to make sure the outlet is properly grounded. When a standard 2-prong wall outlet is encountered, it is your responsibility and obligation to have it replaced with a properly grounded 3-prong wall outlet.

To prevent accidental injury, the cord should be secured behind the appliance and not left exposed or dangling.

The appliance should always be plugged into its own individual electrical outlet which has a voltage rating that matches the rating label on the appliance. This provides the best performance and also prevents overloading house wiring circuits that could cause a fire hazard from overheating. Never unplug the appliance by pulling on the power cord. Always grip the plug firmly and pull straight out from the receptacle. Repair or replace immediately all power cords that have become frayed or otherwise damaged. Do not use a cord that shows cracks or abrasion damage along its length or at either end. When moving the appliance, be careful not to damage the power cord.

⚠ WARNING

FOLLOW WARNING CALL OUTS BELOW ONLY WHEN APPLICABLE TO YOUR MODEL
Use two or more people to move and install appliance. Failure to do so can result in back or other injury.

To ensure proper ventilation for your appliance, the front of the unit must be completely unobstructed. Choose a well-ventilated area with temperatures above 50°F (10°C) and below 109.4°F (43°C).

The appliance should not be located next to ovens, grills or other sources of high heat.

The appliance must be installed with all electrical, water and drain connections in accordance with state and local codes. A standard electrical supply (115 V AC only, 60 Hz), properly grounded in accordance with the National Electrical Code and local codes and ordinances, is required.

Do not kink or pinch the power supply cord of the appliance.

The size of the fuse (or circuit breaker) should be 1.3 amperes.

It is important that the appliance be leveled in order to work properly. You may need to make several adjustments to level it.

All installations must be in accordance with local plumbing code requirements.

Make certain that the pipes are not pinched, kinked or damaged during installation.

Check for leaks after connection.

Never allow children to operate, play with or crawl inside the appliance.

Do not use solvent-based cleaning agents or abrasives on the interior. These cleaners may damage or discolor the interior.

Use this appliance only for its intended purpose as described in this *Instruction Manual*.

Keep fingers out of the "pinch point" areas. Clearances between the door and cabinet are necessarily small. Be careful closing door when children are in the area.

EXTENSION CORD

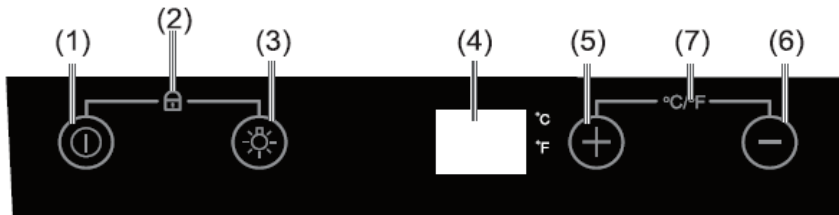
Because of potential safety hazards under certain conditions, it is strongly recommended that you do not use an extension cord with this appliance. However, if you must use an extension cord it is absolutely necessary that it be a UL/CUL-Listed, 3-wire grounding type appliance extension cord having a grounding type plug and outlet and that the electrical rating of the cord be 115 volts and at least 1.3 amperes.



OPERATING YOUR APPLIANCE

It is recommended that you install the appliance in a place where the ambient temperature is between 50°F and 109.4°F (10°C- 43°C). If the ambient temperature is above or below recommended temperatures, the performance of the unit may be affected. For example, placing your unit in extremely cold or hot conditions may cause interior temperatures to fluctuate. The operating temperature range may not be reached.

Each wine cellar includes an operating panel on the front of the unit. This operating panel includes several features to operate and control the temperature.



1. Press and hold to turn the Power ON and OFF
2. Press and hold simultaneously to Unlock and Lock the Control Panel
3. Turns the Interior Light ON and OFF
4. Displays the Temperature
5. Increases Set Temperature 1°F with Each Push
6. Decreases Set Temperature 1°F with Each Push
7. Press and hold simultaneously to Alter the Temperature Display to Fahrenheit or Celsius

CARE AND MAINTENANCE

CLEANING AND MAINTAINING YOUR REFRIGERATOR

Periodic cleaning and proper maintenance will ensure efficiency, top performance, and long life. The maintenance intervals listed are based on normal conditions. You may want to shorten the intervals if you have pets or other special considerations.

Exterior Cleaning for Your Stainless Steel Model

- Your stainless steel model may discolor when exposed to chlorine gas, pool chemicals, salt water, or cleaners with bleach.
- Keep your stainless unit looking new by cleaning with a high quality, all-in-one stainless steel stainless steel cleaner/polish on a monthly basis. Frequent cleaning will remove surface contamination that could lead to rust. Some installations will require cleaning on a weekly basis.
- DO NOT CLEAN WITH STEEL WOOL PADS.
- DO NOT USE CLEANERS THAT ARE NOT SPECIFICALLY INTENDED FOR STAINLESS STEEL (this includes glass, tile and counter cleansers).
- If any surface discolors or rusting appears, clean it quickly with Bon-Ami or Barkeepers Friend Cleanser and a non-abrasive cloth. Always clean in the direction of the grain. Always finish this process with a high quality, all-in-one stainless steel cleaner/polish to prevent further problems.
- USE OF ABRASIVE PADS SUCH AS SCOTCHBRITE WILL CAUSE THE GRAINING IN THE STAINLESS TO BECOME BLURRED.
- Rust that is allowed to linger can penetrate into the surface of the stainless steel and become impossible to remove.



POWER FAILURE

Most power failures are corrected within a few hours and should not affect the temperature of your appliance if you minimize the number of times the door is opened. If the power is going to be off for a longer period of time, you need to take the proper steps to protect the contents.

VACATION TIME

Short vacations: Leave the appliance operating during vacations of less than three weeks.

Long vacations: If the appliance will not be used for several months, remove all items and turn off the appliance. Clean and dry the interior thoroughly. To prevent odor and mold growth, leave the door open slightly, blocking it open if necessary.

MOVING YOUR APPLIANCE

1. Remove all items.
2. Securely tape down all loose items (shelves) inside your appliance.
3. Turn the adjustable legs up to the base to avoid damage.
4. Tape the door shut.
5. Be sure the appliance stays secure in the upright position during transportation. Also protect the outside of the appliance with a blanket or similar item.

ENERGY SAVING TIPS

The appliance should be located in the coolest area of the room or outdoor location, away from heat-producing appliances and out of direct sunlight.

Ensure that the unit is adequately ventilated. Never cover air vents.

Do not keep the door open any longer than necessary.

Let hot foods cool to room temperature before placing in the unit. Overloading the unit forces the compressor to run longer.

Be sure to wrap foods properly, and wipe containers dry before placing them in the unit. This cuts down on frost build up inside the unit.

Unit shelves and storage bins should not be lined with aluminum foil, wax paper or paper toweling. Liners interfere with cold air circulation, making the unit less efficient.

Organize and label stored items to reduce door openings and extended searches. Remove as many items as needed at one time, and close the door as soon as possible.



TROUBLESHOOTING

You can solve many common problems easily, saving you the cost of a possible service call. Try the suggestions below to see if you can solve the problem before calling for help.

Troubleshooting Guide

PROBLEM	POSSIBLE CAUSE	REMEDY
Appliance does not operate.	Appliance is not connected to a power supply. The appliance is turned off. Tripped circuit breaker or a blown fuse.	Connect the appliance. Switch on the appliance Switch on circuit breaker or replace fuse.
Appliance is not cold enough.	The temperature is not set correctly. The ambient temperature could require a lower temperature setting. The drawer was opened too often. The drawer was not closed completely. Drawer is not hermetically sealed. The condenser is too dirty. The ventilation opening is blocked or too dusty.	Check the set temperature. Set a lower temperature Do not open the drawer more often than necessary. Close drawer properly. Check the drawer seal and clean or replace. Clean the condenser when necessary. Clear the obstructions and clean the dust.
Appliance turns itself on and off frequently.	The room temperature is higher than average A large amount of food has been added to the unit. One of the drawers is open too often. The drawer is not closed completely. The drawer gasket does not seal properly.	Put the appliance in a cooler place. Leave the appliance to work for a while until the set temperature has been reached. Do not open drawers more often than necessary. Close drawer to see that is closed properly. Check the door seal and clean or replace.
Vibrations	The appliance is not properly leveled.	Level the appliance with the adjustable feet.
The appliance seems to make too much noise.	The rattling noise may come from the flow of the refrigerant, which is normal. As each cycle ends, you may hear gurgling sounds caused by the flow of refrigerant in your appliance If temperature fluctuations occur, the contraction and expansion of the inner walls may cause popping and cracking noises.	Level the appliance with the adjustable feet.
The drawer will not close properly.	The appliance is not properly level. The drawer was not properly installed. The gasket is dirty.	Level the appliance with the adjustable feet. Check the door hinge and reassemble correctly. Clean the drawer gasket. Check the drawers and refit correctly.

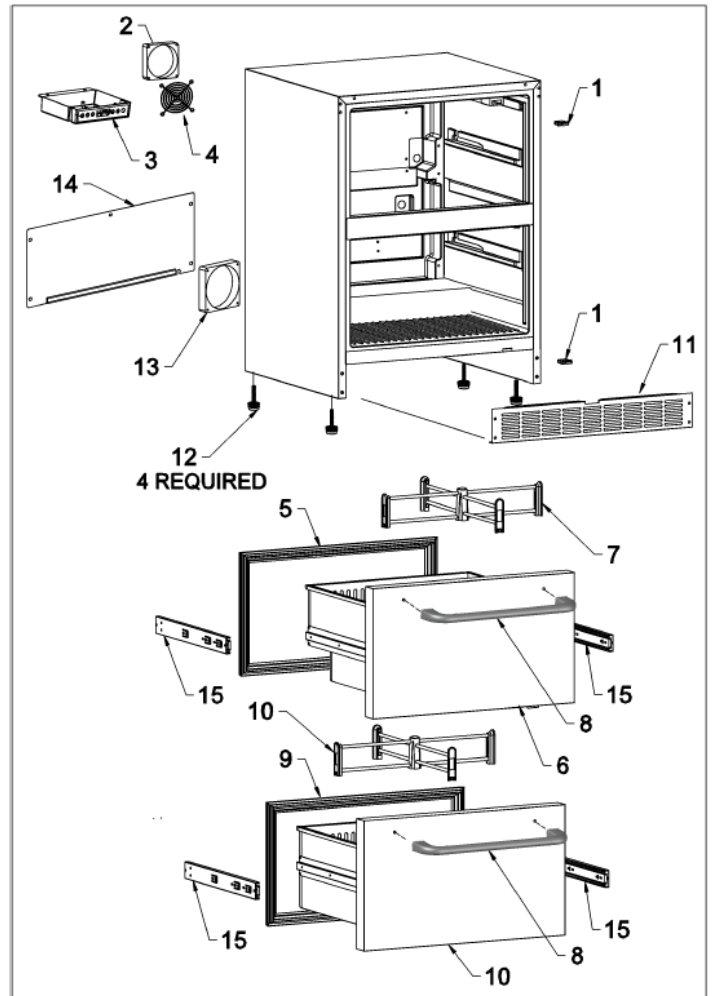
The alarm sounds and the temperature display flashes.	Has the appliance door been open for longer than 60 seconds? If not, then the temperature has risen higher or fallen lower than the temperature that has been set. This could be due to: The appliance door being opened too often. The ventilation opening being covered or too dusty. A lengthy interruption in the power supply. A large amount of food has been added to the unit.	If yes, close the door. Do not open the door more often than necessary. Clear the obstructions and clean the dust. Leave the appliance to work for a while until the set temperature has been reached.
---	--	---



REPLACEMENT PARTS LIST

ILLUSTRATION NUMBER	BULL ITEM NUMBER	DESCRIPTION	QUANTITY
1	12119	LIGHT SWITCH	2
2	12106	EVAPORATOR FAN	1
3	12103	DIGITAL CONTROLLER	1
4	12109	EVAPORATOR FAN COVER	1
5	12126	DRAWER GASKET	2
6	12127	UPPER DRAWER	1
7	12128	UPPER DRAWER DIVIDER	1
6	12105	LED PCB BOARD	1
7	12107	CONTROL PANEL	1
8	12129	HANDLE	2
9	12130	BOTTOM DRAWER	1
10	12131	BOTTOM DRAWER DIVIDER	1
11	12120	KICK PLATE	1
12	12116	FOOT	4
13	12125	CONDENSER FAN	1
14	12114	BACK GRILL	1
15	12132	LEFT AND RIGHT GUIDE RAIL	4

REPLACEMENT PARTS ILLUSTRATION





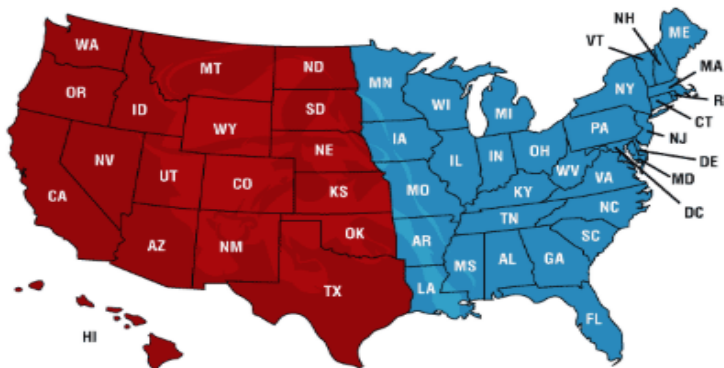
HOW TO ORDER REPLACEMENT PARTS

Your Bull Authorized Dealer is your best source for parts or accessories to keep your Refrigerator in top condition.

Step 1: We'll need your Refrigerator serial number to assure you get the right parts.

Step 2: To identify what you need please refer to page 11 for part numbers and the Illustrations on page 12 to identify what you need.

Step 3: Now you're ready to order on-line or give us a call, either way we're ready to help with two regional suppliers



West Region



Bull Grills & Spas
(760) 746-7727
bullgrillsandspas.com

East Region

GOODWOOD
Hardware & Outdoors
Goodwood Hardware
(225) 926-0155
goodwoodhardware.com

To Order Replacement Parts on-line go to <https://www.bullbbq.com/buy-parts>

To Ordering Parts by phone for the Western Region: please call Bull Grills & Spas at [\(760\)746-7727](tel:7607467727)

Open Monday through Friday 8:00 am to 5:00 pm PDT

To Ordering Parts by phone for the Eastern Region: please call Goodwood Hardware [\(225\)926-0155](tel:2259260155)

Open Monday through Friday 8:00 am to 5:00 pm CDT

IMPORTANT: Do not discard your Owner's Manual, retain for parts ordering and guidelines for safe operation of your refrigerator.

WARNING: Use of any part that is not factory authorized will void your warranty and may be dangerous.



Warranty Policy

Bull Outdoor Products continues to be the industry's leader in Warranty Durations. Your Refrigerator Warranty Durations are shown in the Parts Section of each manual. Components such as refrigerators, doors, drawers, and non-mechanical items are covered under a one-year warranty from the date of purchase on invoice or purchase order.

Warranty Claims must be filed online through the Bullbbq.com Website. Warranty Claims will not be accepted via email, fax, or phone.

Bull Outdoor Products, Inc. warrants to the original purchaser at the original site of delivery with proof of purchase of each Outdoor Gas Grill that when subject to normal residential use, it is free from defects in workmanship and materials for the periods specified below. This warranty excludes refrigerators used in rental or commercial applications. It does not apply to rust, corrosion, oxidation, or discoloration, which may occur due to moisture, overheating, or packaging, unless the affected product becomes inoperable. Warranty Claims do not include shipping charges of item(s), labor or any labor related charges. There will be a shipping and handling charge for the delivery of the warranty part(s).

Our obligation under this warranty is limited to repair or replacement, at our option, of the product during the warranty period. The extent of any liability of Bull Outdoor Products, Inc., under this warranty is limited to repair or replacement. This warranty does not cover normal wear of parts, damage resulting from any of the following: negligent use or misuse of the product, use contrary to operating instructions, or alteration by any person other than our factory service center. The warranty period is not extended by such repair or replacement. Product repair as provided under this warranty is your exclusive remedy. Bull Outdoor Products, Inc. shall not be liable for any incidental or consequential damages for breach of any express or implied warranty on its products.

Product repair as provided under this warranty is your exclusive remedy. Bull Outdoor Products, Inc. shall not be liable for any incidental or consequential damages for breach of any express or implied warranty on its products. Except to the extent prohibited by applicable law, any implied warranty or merchantability or fitness for a particular purpose on this product to the duration of the above warranty. Some states do not allow the exclusion or limitation of incidental or consequential damages or allow limitations on how long an implied warranty lasts, so the above limitations or exclusions may not apply to you. This warranty gives you specific legal rights, and you may have other rights, which vary from state to state.

Based on country or geographical area, the following methods are used to file a Warranty Claim:

www.bullbbq.com/support-warranty

United States of America / Canada / Central America / South America

www.bullbbq.eu/en/warrantyform.html

Belgium / Denmark / France / Germany / Italy / Latvia

Malta / Netherlands / Norway / Portugal / Romania / Spain

Sweden / Switzerland / United Kingdom

Mail= Exim International PTY LTD PO Box 70 Helensvale, Queensland 4212 Australia