

# Grate Kit Collection

## 16" Grate Kit

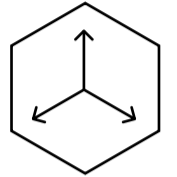
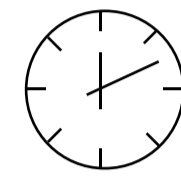
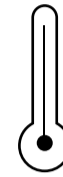
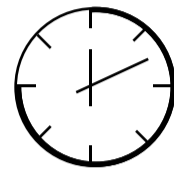
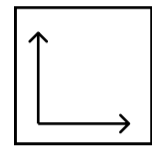
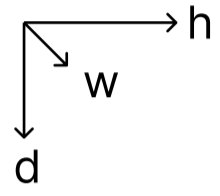


### Included Accessories



# Grate Kit Collection

## 16" Grate Kit



| Dimensions<br>H x W x D mm/in       | Fuel<br>Capacity | Heats on Average<br>(indoors)                   | Fuel<br>Consumption | Thermal Output<br>Net (MAX) | Approx.<br>Burn Time | Minimum Room<br>Size (per burner) |
|-------------------------------------|------------------|---|---------------------|-----------------------------|----------------------|-----------------------------------|
| 120 × 426 × 240<br>4.7 × 16.8 × 9.4 | 3.5L             | Over 69m <sup>2</sup><br>[742 ft <sup>2</sup> ] | 0.27L per hour      | 17,000 BTU/h<br>5.0 Kw      | 13 hours             | 150 sq. ft.                       |

### Awards

2010 Winner Outdoor Hearth Products Vesta Awards

### Application

Indoor & Outdoor

### Materials

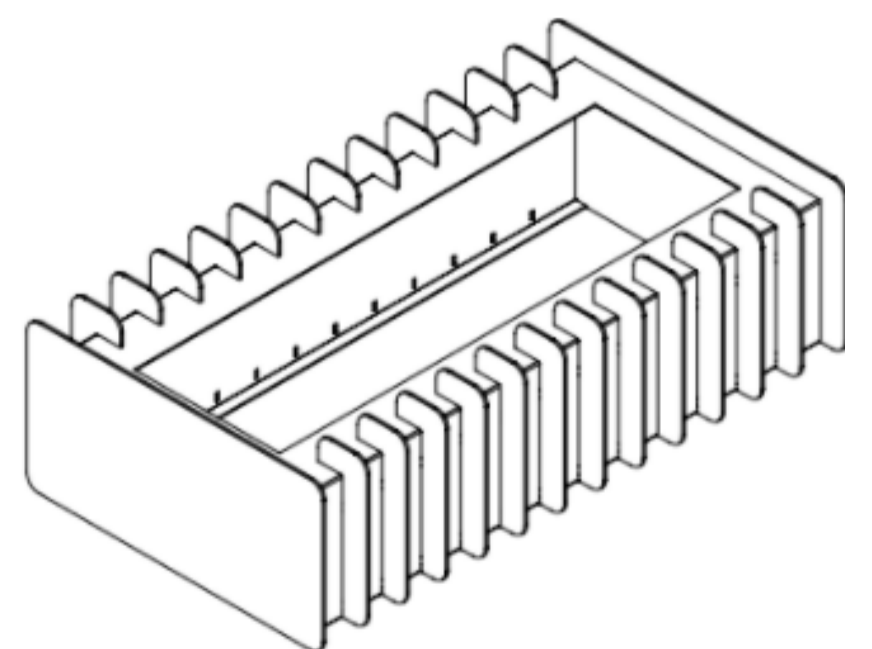
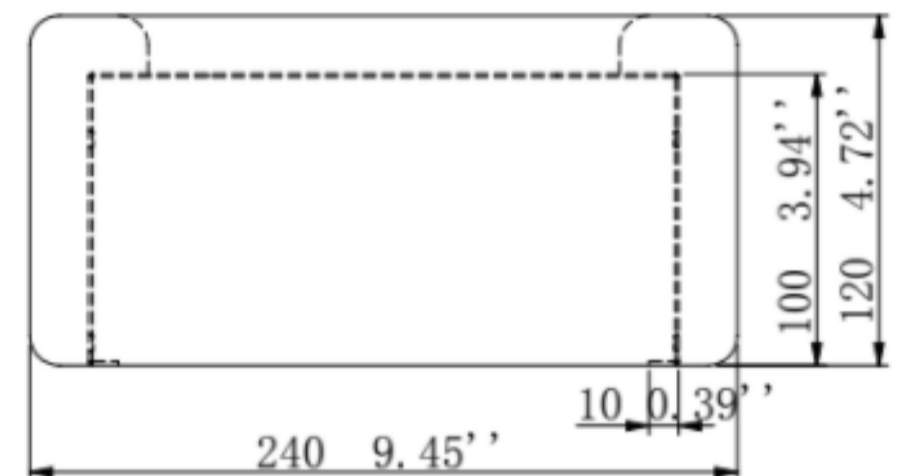
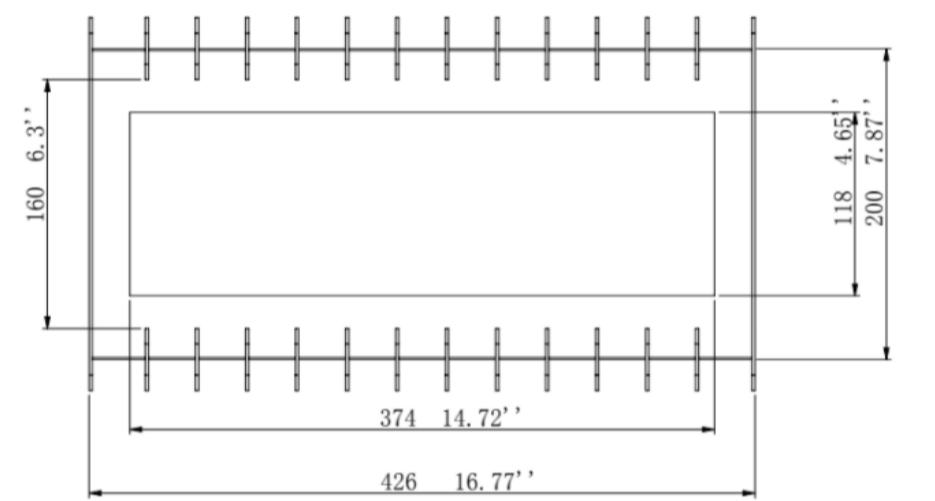
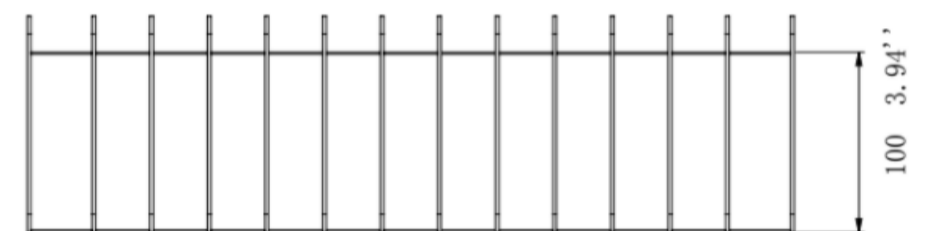
304 Stainless Steel Construction

### Approx. Weight

13 lbs

### Fuel Type

Bio Ethanol Fuel



Global Compliance  
All burners are UL Listed in accordance with ANSI/UL1370 in the USA and comply with the ACCC Safety Mandate for Australia.



Lifetime Warranty

FOR MORE INFORMATION PLEASE REFERENCE THE CLEARANCE & INSTALLATION MANUAL

\*Dimensions may vary by 2% (plus or minus) due to material attributes. Template not provided. The Bio Flame recommends using the actual fireplace or burner model when making final cut out

