

# Burner Collection

## 16" Burner

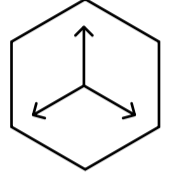
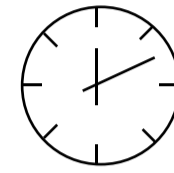
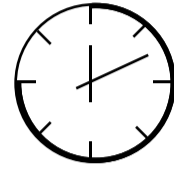
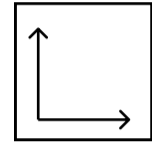
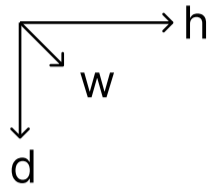


### Included Accessories

---



# Burner Collection 16" Burner



Dimensions H x W x D mm/in	Fuel Capacity	Heats on Average (indoors)	Fuel Consumption	Thermal Output Net (MAX)	Approx. Burn Time	Minimum Room Size (per burner)
89 × 406 × 156 3.5 × 16.0 × 6.0	3.5L	Over 69m <sup>2</sup> [742 ft <sup>2</sup> ]	0.27L per hour	17,000 BTU/h 5.0 Kw	8-9 hours	150 sq. ft.

## Awards

2010 Winner Outdoor Hearth Products  
Vesta Awards

## Application

Indoor & Outdoor

## Burner Colour

 Stainless Steel

## Materials

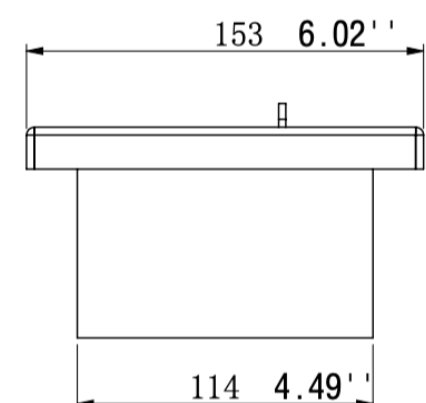
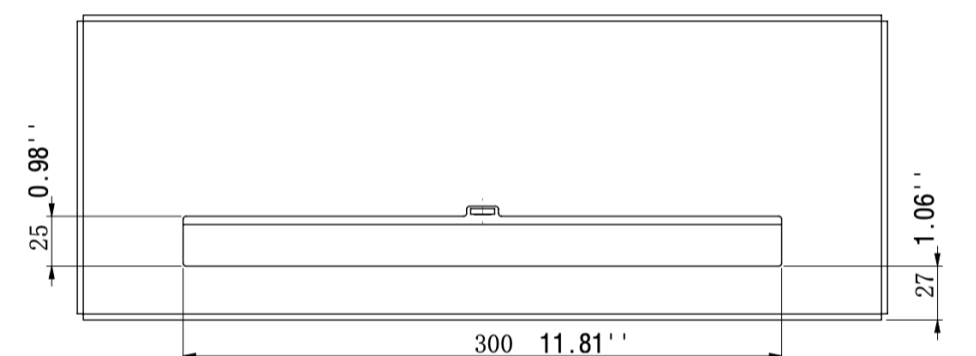
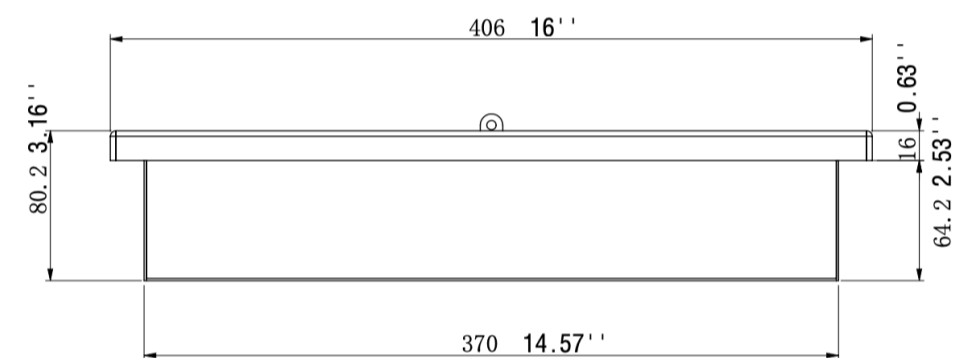
Grade 304 Stainless Steel Construction

## Approx. Weight

9 lbs

## Fuel Type

Bio Ethanol Fuel



### Inserting within a firebox setting:

The Bio Flame 16" BURNER can only be fitted into a non-combustible firebox that has minimum clearances of 24"W x 20"H x 14"D.

### Custom made fireboxes must:

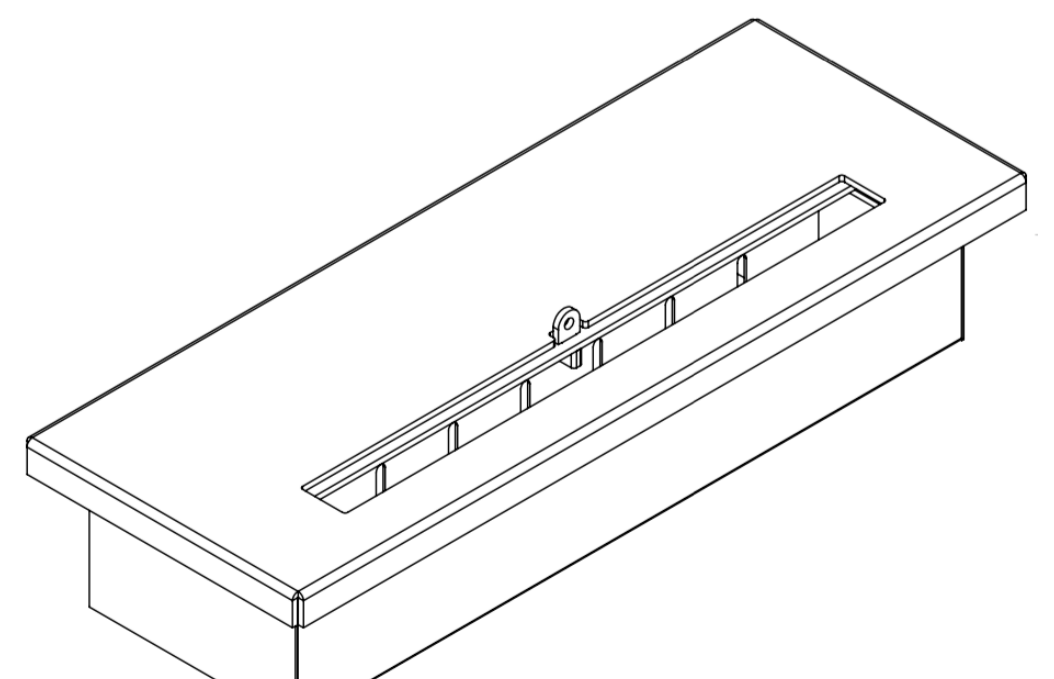
- Be made out of a non-combustible material such as stainless steel
- \*When recessing the tray into a non-combustible base with no firebox, the overhead clearance required is 60"MIN. to the nearest combustible\*



Global Compliance  
All burners are UL Listed in accordance with ANSI/  
UL1370 in the USA and comply with the ACCC Safety  
Mandate for Australia.



Lifetime Warranty



**FOR MORE INFORMATION PLEASE REFERENCE THE CLEARANCE & INSTALLATION MANUAL**

\*Dimensions may vary by 2% (plus or minus) due to material attributes. Template not provided. The Bio Flame recommends using the actual fireplace or burner model when making final cut out

